



US00D711869S

(12) **United States Design Patent**
Fiore, IV

(10) **Patent No.:** **US D711,869 S**

(45) **Date of Patent:** **** Aug. 26, 2014**

(54) **AUTO STEREO MOUNTING DEVICE WITH AN INTEGRAL POCKET**

(71) Applicant: **Anthony Fiore, IV**, Palm Coast, FL (US)

(72) Inventor: **Anthony Fiore, IV**, Palm Coast, FL (US)

(73) Assignee: **Metra Electronics Corporation**, Holly Hill, FL (US)

(**) Term: **14 Years**

(21) Appl. No.: **29/450,600**

(22) Filed: **Mar. 20, 2013**

(51) **LOC (10) Cl.** **14-03**

(52) **U.S. Cl.**
USPC **D14/258**

(58) **Field of Classification Search**
USPC D12/192, 195, 415, 420; D14/157, 167, D14/168, 188, 191-198, 217, 224, 257, 258, D14/260.1, 445; 248/27.1, 27.3, 558; 360/4; 369/75.11; 455/344, 347, 350, 575.1; 720/658, 691

See application file for complete search history.

(56) **References Cited**

U.S. PATENT DOCUMENTS

D481,378 S *	10/2003	Quilling et al.	D14/224
6,651,936 B2 *	11/2003	Upson et al.	248/27.3
D496,028 S *	9/2004	Quilling, II	D14/224
D496,354 S *	9/2004	Quilling, II	D14/224
D501,852 S *	2/2005	Quilling, II	D14/258
D503,400 S *	3/2005	Quilling, II	D14/258

D545,815 S *	7/2007	Quilling, II	D14/258
D582,908 S *	12/2008	Quilling	D14/258
D602,929 S *	10/2009	Quilling, II	D14/258
D603,390 S *	11/2009	Quilling, II	D14/258
D639,796 S *	6/2011	Quilling et al.	D14/258
2008/0043408 A1 *	2/2008	Quilling	361/679

OTHER PUBLICATIONS

Scosche VO4150B in-dash DIN radio, announced Feb. 2007, [online]. [site visited Jan. 23, 2014]. Available from Internet, <URL: <http://www.carid.com>>.*

* cited by examiner

Primary Examiner — Stella Reid

Assistant Examiner — Janice Lim

(74) *Attorney, Agent, or Firm* — J. Wiley Horton

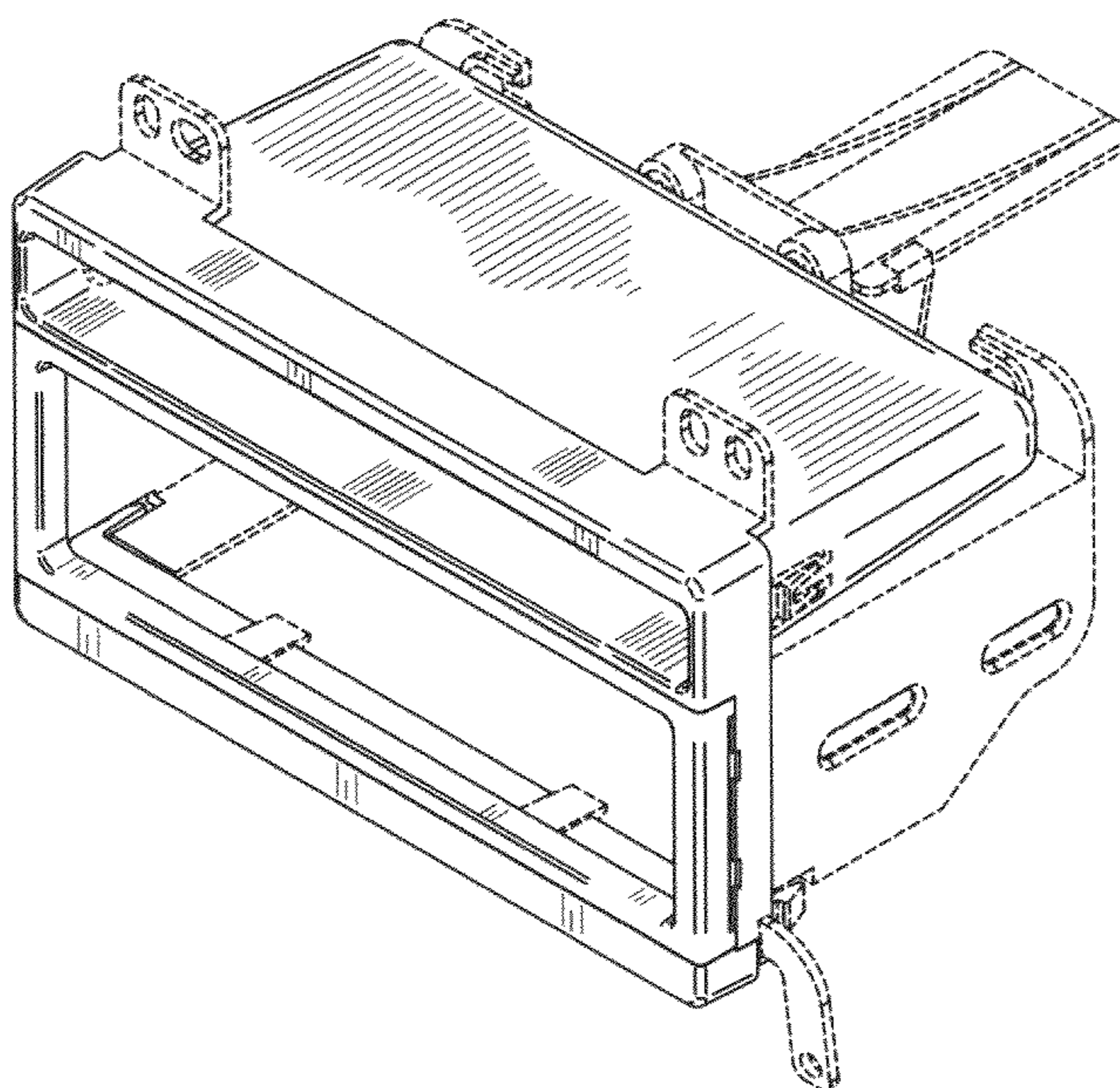
(57) **CLAIM**

The ornamental design for an auto stereo mounting device with an integral pocket, as shown and described.

DESCRIPTION

FIG. 1 is a perspective view of an auto stereo mounting device with an integral pocket, showing my design; FIG. 2 is a front elevation view of FIG. 1; FIG. 3 is a rear elevation view of FIG. 1; FIG. 4 is a right side elevation view of FIG. 1; FIG. 5 is a left side elevation view of FIG. 1; FIG. 6 is a top plan view of FIG. 1; and, FIG. 7 is a bottom plan view of FIG. 1. The broken lines shown in all views illustrate mounting features which form no part of the claimed design.

1 Claim, 7 Drawing Sheets



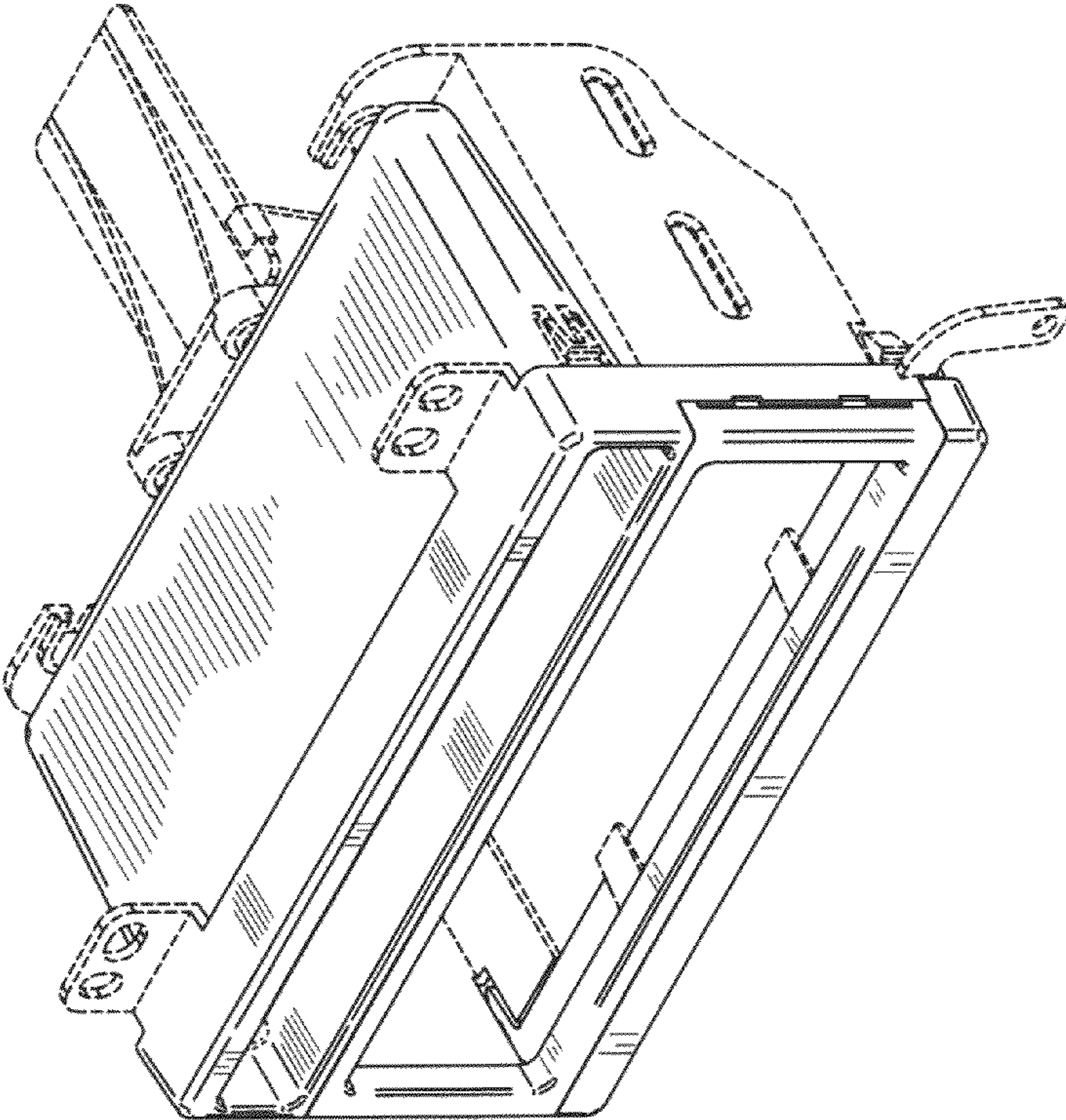


FIG. 1

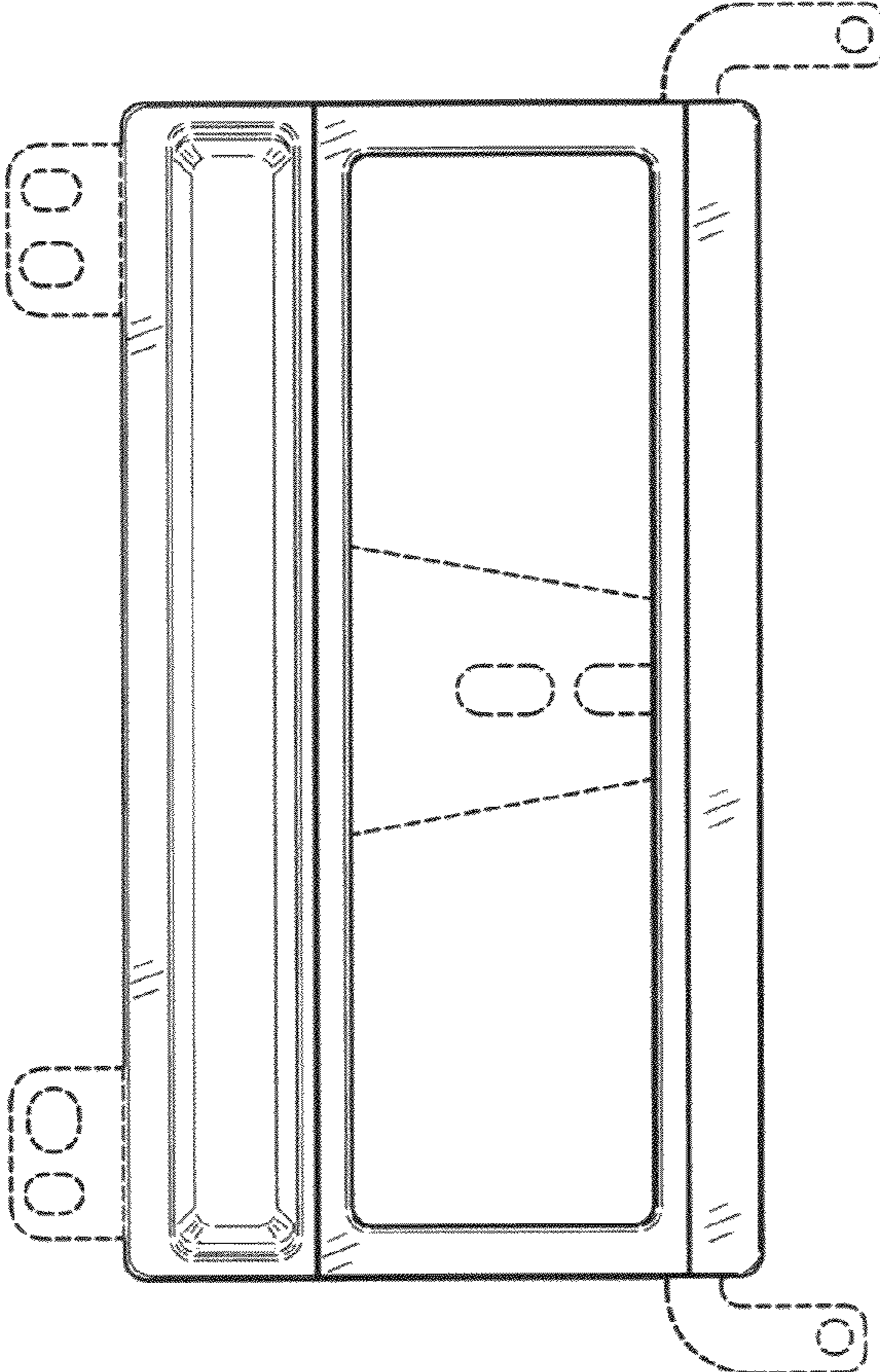


FIG. 2

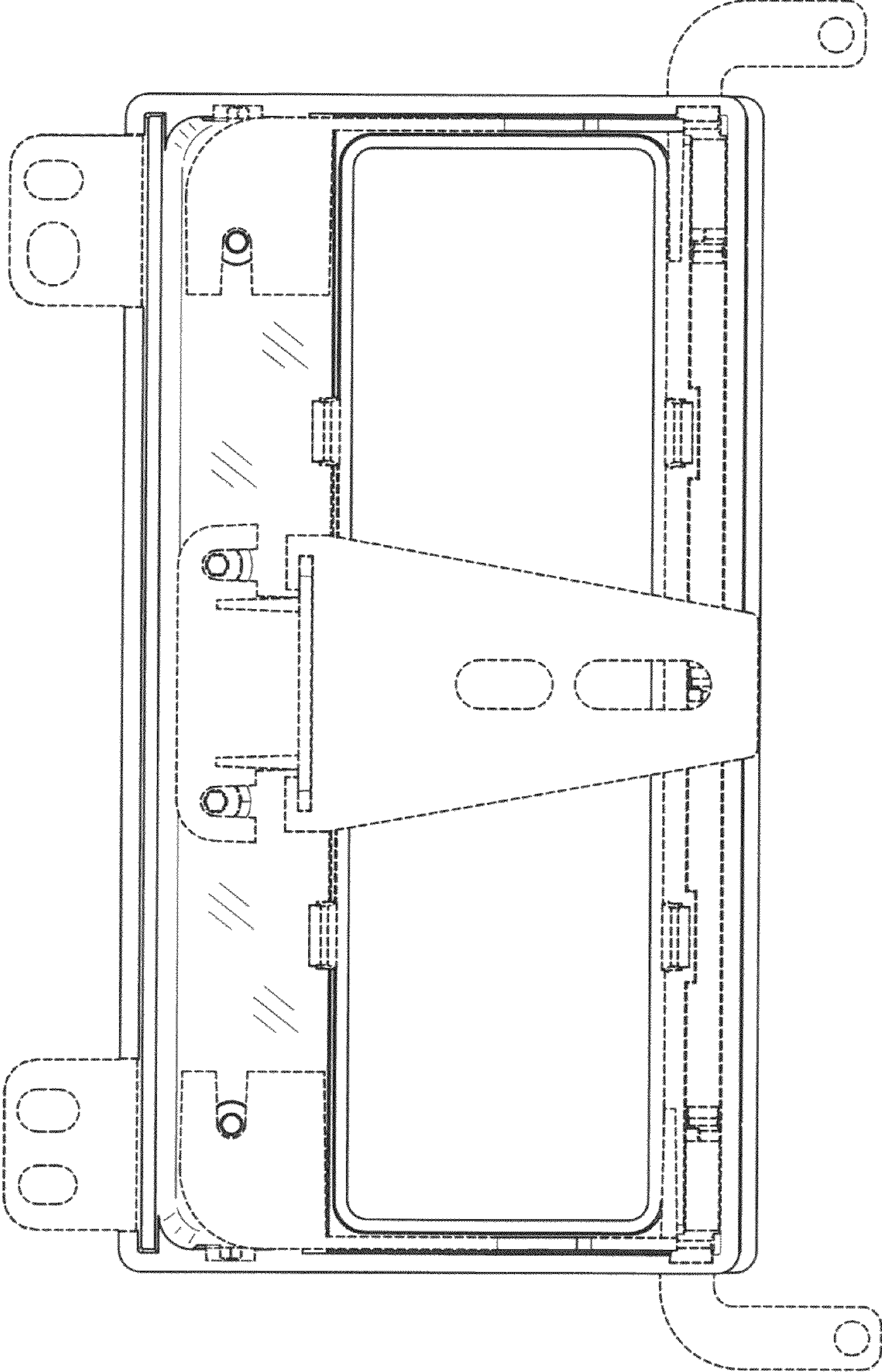


FIG. 3

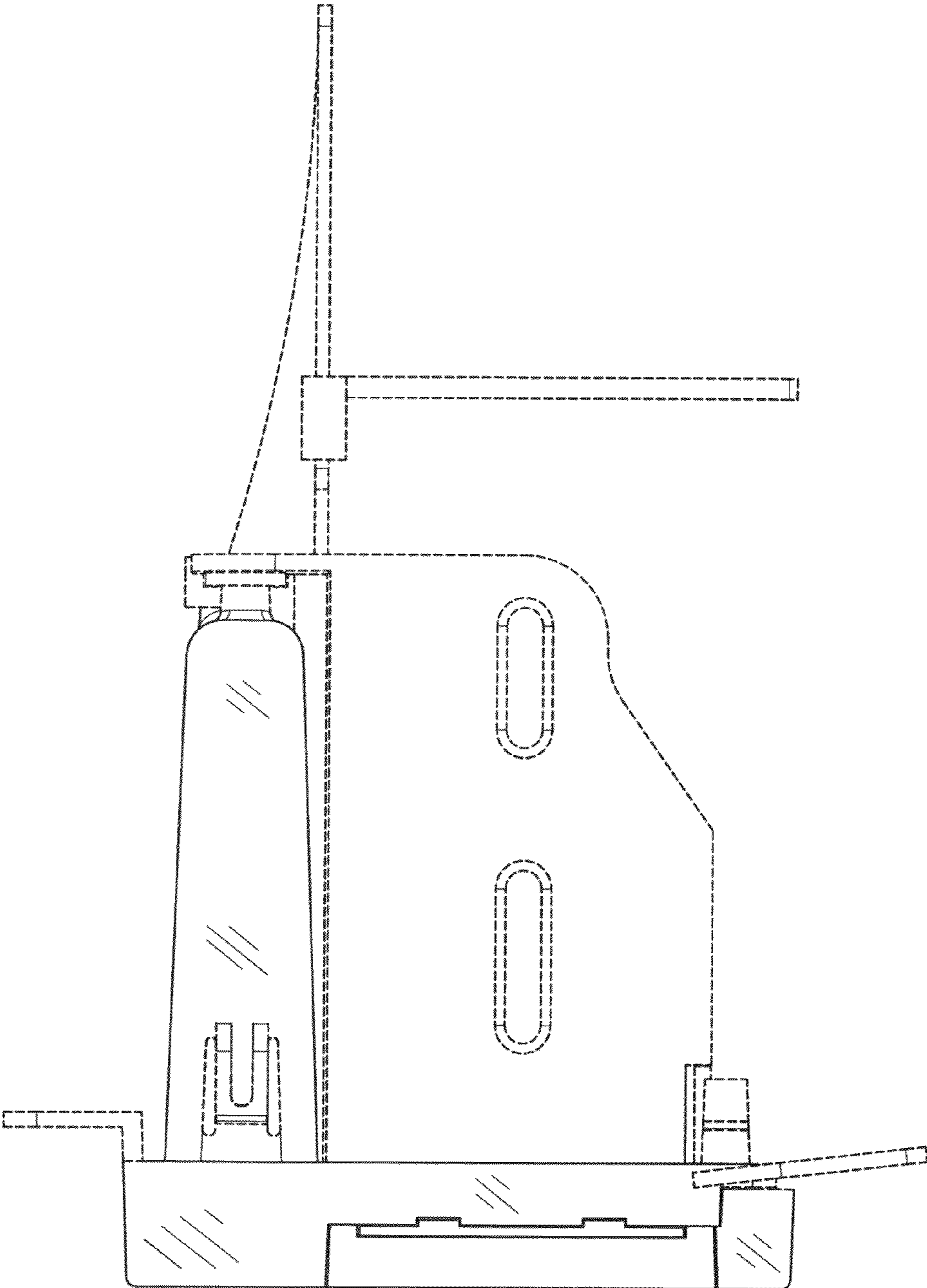


FIG. 4

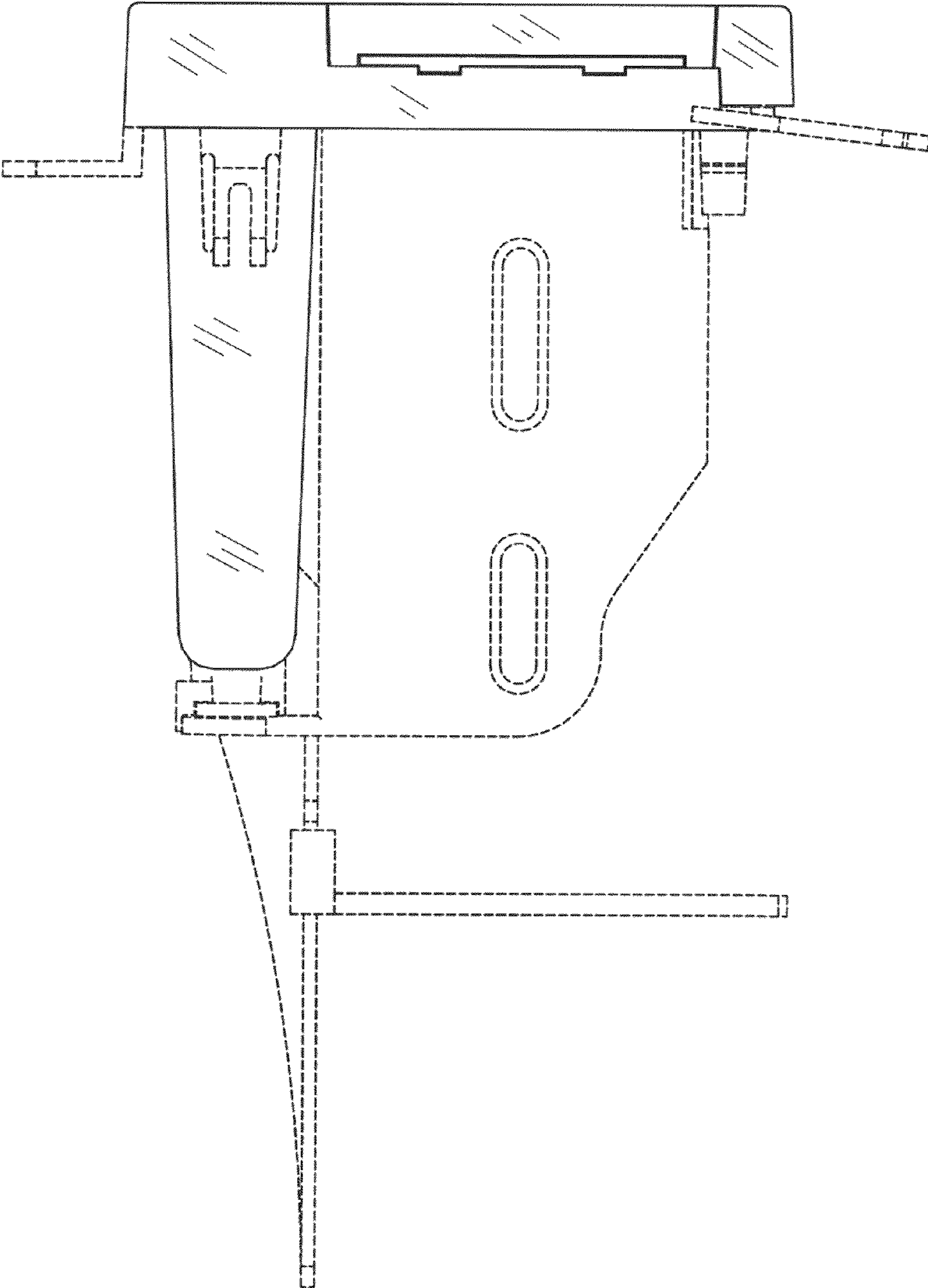


FIG. 5

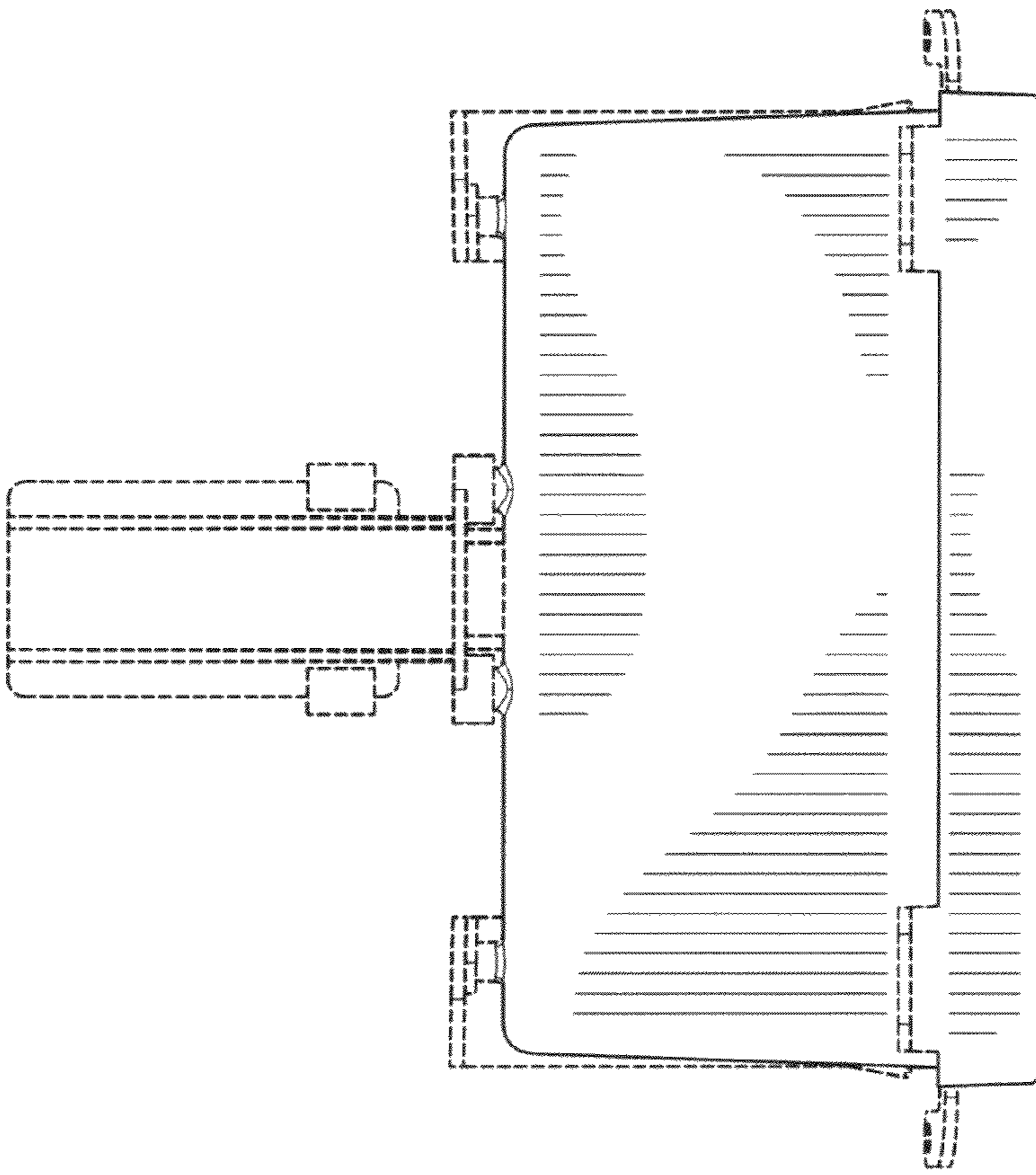


FIG. 6

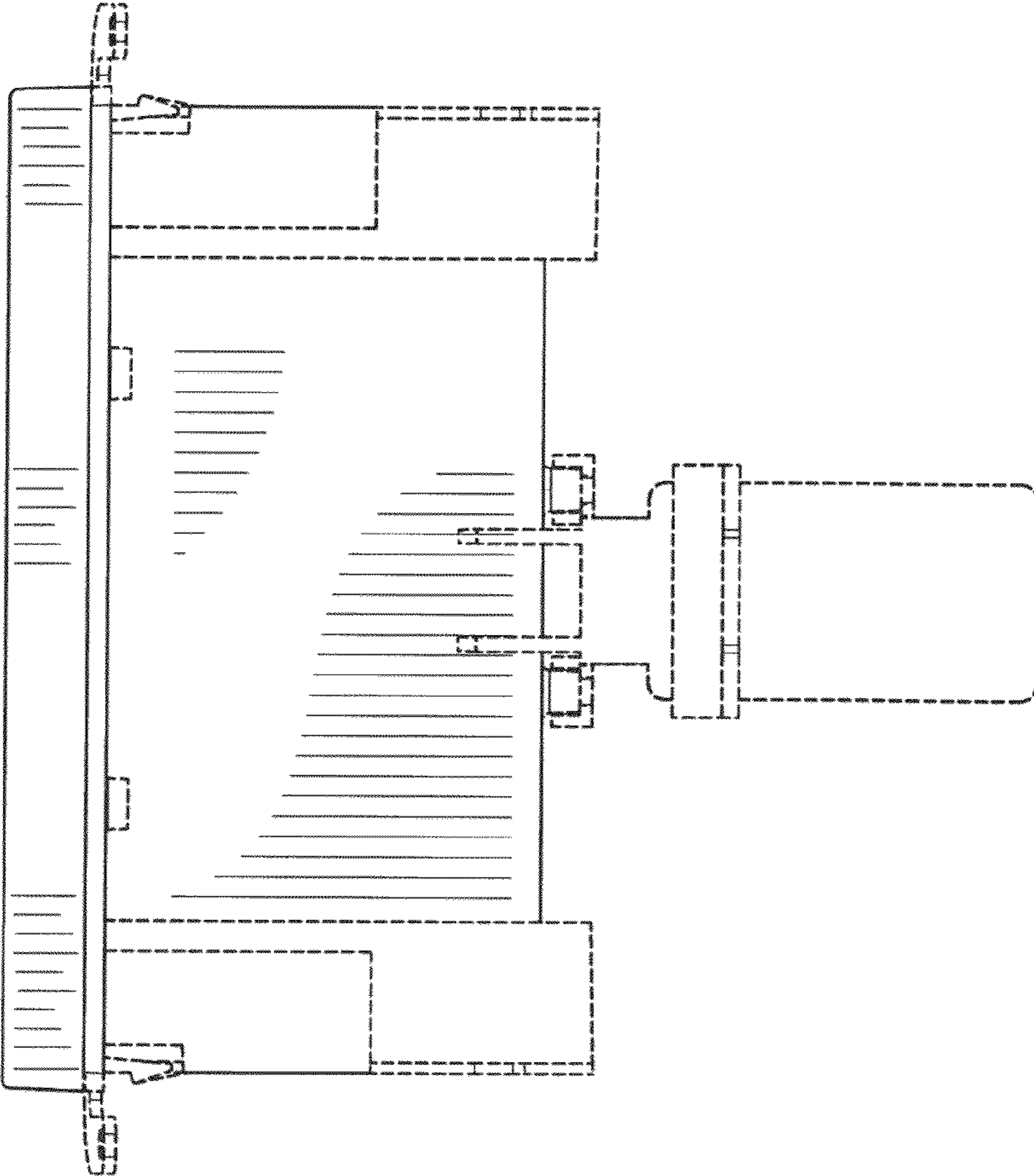


FIG. 7