



US00D711868S

(12) **United States Design Patent**
Urzua

(10) **Patent No.:** **US D711,868 S**

(45) **Date of Patent:** **** Aug. 26, 2014**

(54) **MINI-CHAIR WIRELESS DEVICE HOLDER**

(71) Applicant: **Adriana Urzua**, Sylmar, CA (US)

(72) Inventor: **Adriana Urzua**, Sylmar, CA (US)

(**) Term: **14 Years**

(21) Appl. No.: **29/481,828**

(22) Filed: **Feb. 11, 2014**

(51) **LOC (10) Cl.** **14-03**

(52) **U.S. Cl.**
USPC **D14/253**

(58) **Field of Classification Search**
USPC D14/208, 209.1, 217, 238.1, 243,
D14/250–253, 434, 440, 447, 496,
D14/203.3–203.7, 248, 240, 341–347;
D3/201, 215, 218, 226, 269, 273, 301,
D3/303; D19/90; D6/553; 455/575.1,
455/575.8; 206/305, 320; 320/108, 115;
429/96; 220/4.02; 150/165;
361/679.56, 679.3, 679.25, 816;
379/426, 446, 455, 433.1; 248/309.1,
248/371, 176.3, 668; 224/411; D12/223,
D12/407

See application file for complete search history.

(56) **References Cited**

U.S. PATENT DOCUMENTS

D427,590 S * 7/2000 Mou D14/253
D430,154 S * 8/2000 Mou D14/253
D446,513 S * 8/2001 Mou D14/253

D529,489 S * 10/2006 Sbordon, Jr. D14/253
D529,905 S * 10/2006 Richter D14/253
D530,713 S * 10/2006 Richter D14/253
D561,182 S * 2/2008 Jenkins et al. D14/253
D590,184 S * 4/2009 Barabas et al. D6/466
D671,934 S * 12/2012 Alman et al. D14/253
D674,381 S * 1/2013 Ma D14/253
2002/0176571 A1* 11/2002 Louh 379/455
2013/0023312 A1* 1/2013 Staebler 455/575.1

* cited by examiner

Primary Examiner — Susan Bennett Hattan

Assistant Examiner — Janice Hallmark

(74) *Attorney, Agent, or Firm* — Albert O. Cota

(57) **CLAIM**

The ornamental design for a mini-chair wireless device holder, as shown and described.

DESCRIPTION

FIG. 1 is an orthographic view of the mini-chair wireless device holder showing my new design, the figures shows a wireless device prior to being inserted into the mini-chair.

FIG. 2 is an orthographic front view thereof, showing a wireless device inserted into the mini-chair.

FIG. 3 is an elevational front view thereof;

FIG. 4 is an elevational rear view thereof;

FIG. 5 is a top plan view thereof;

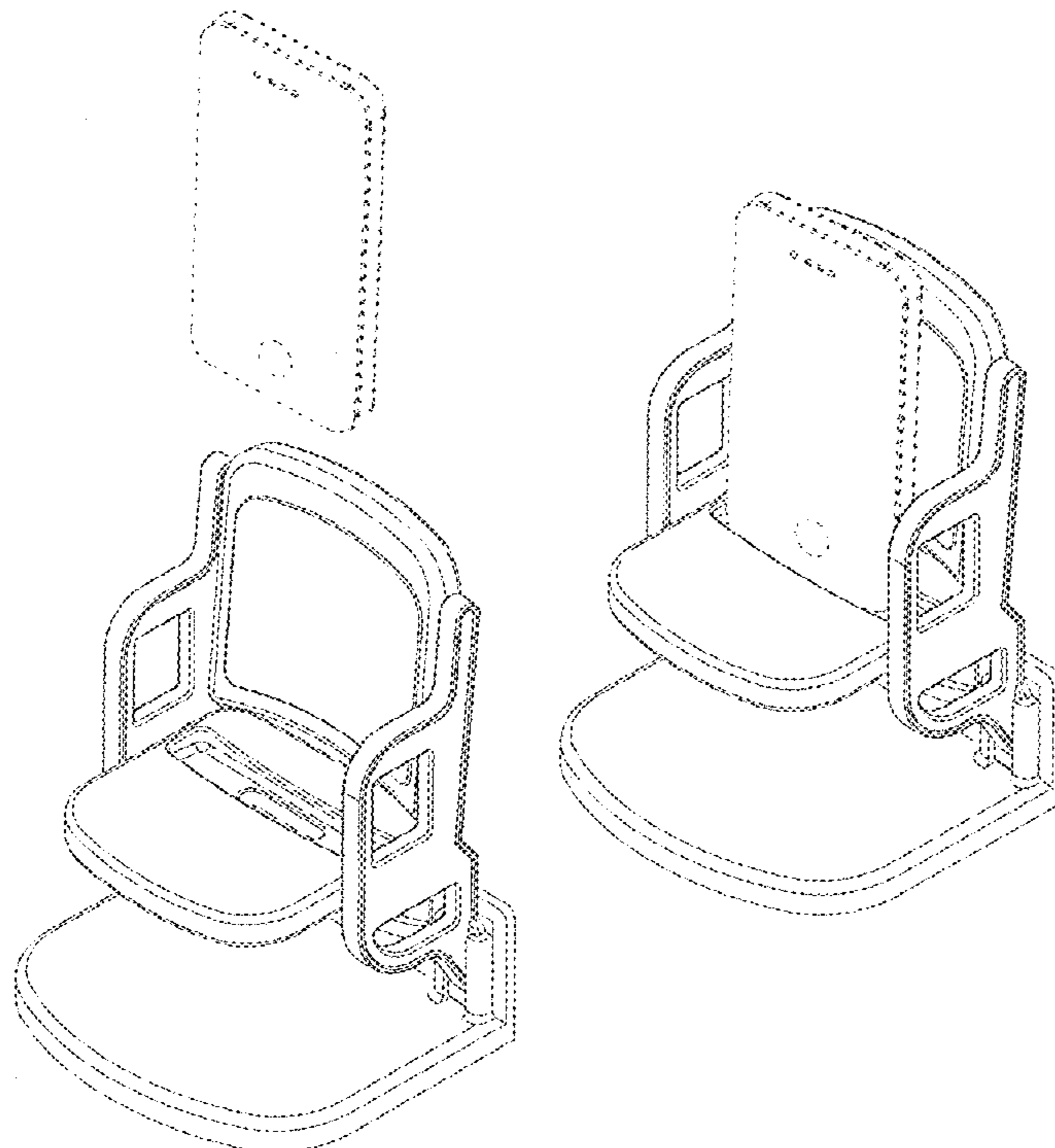
FIG. 6 is a bottom plan view thereof;

FIG. 7 is a right side elevational view thereof; and,

FIG. 8 is a left side elevational view thereof.

The wireless device shown in broken line depicts environmental subject matter only and forms no part of the claimed design.

1 Claim, 5 Drawing Sheets



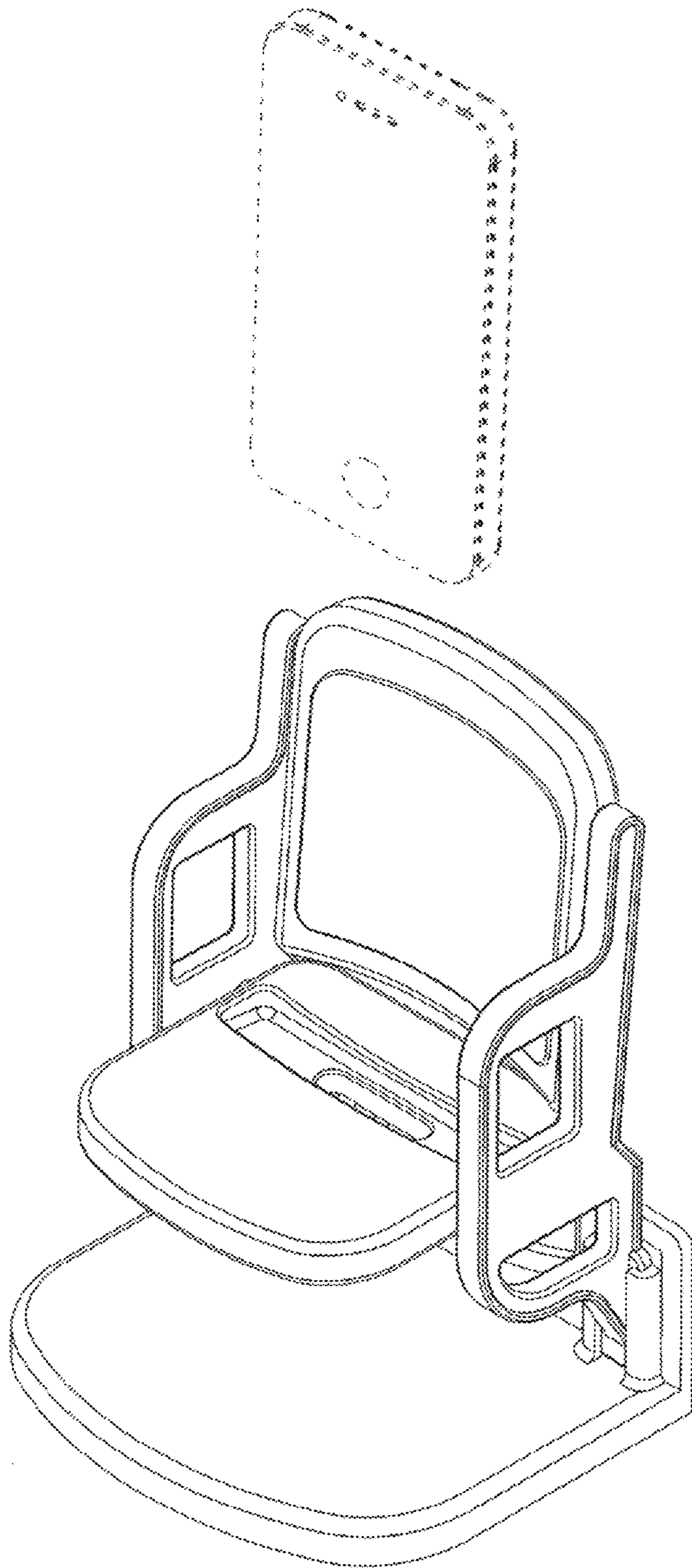


Fig. 1

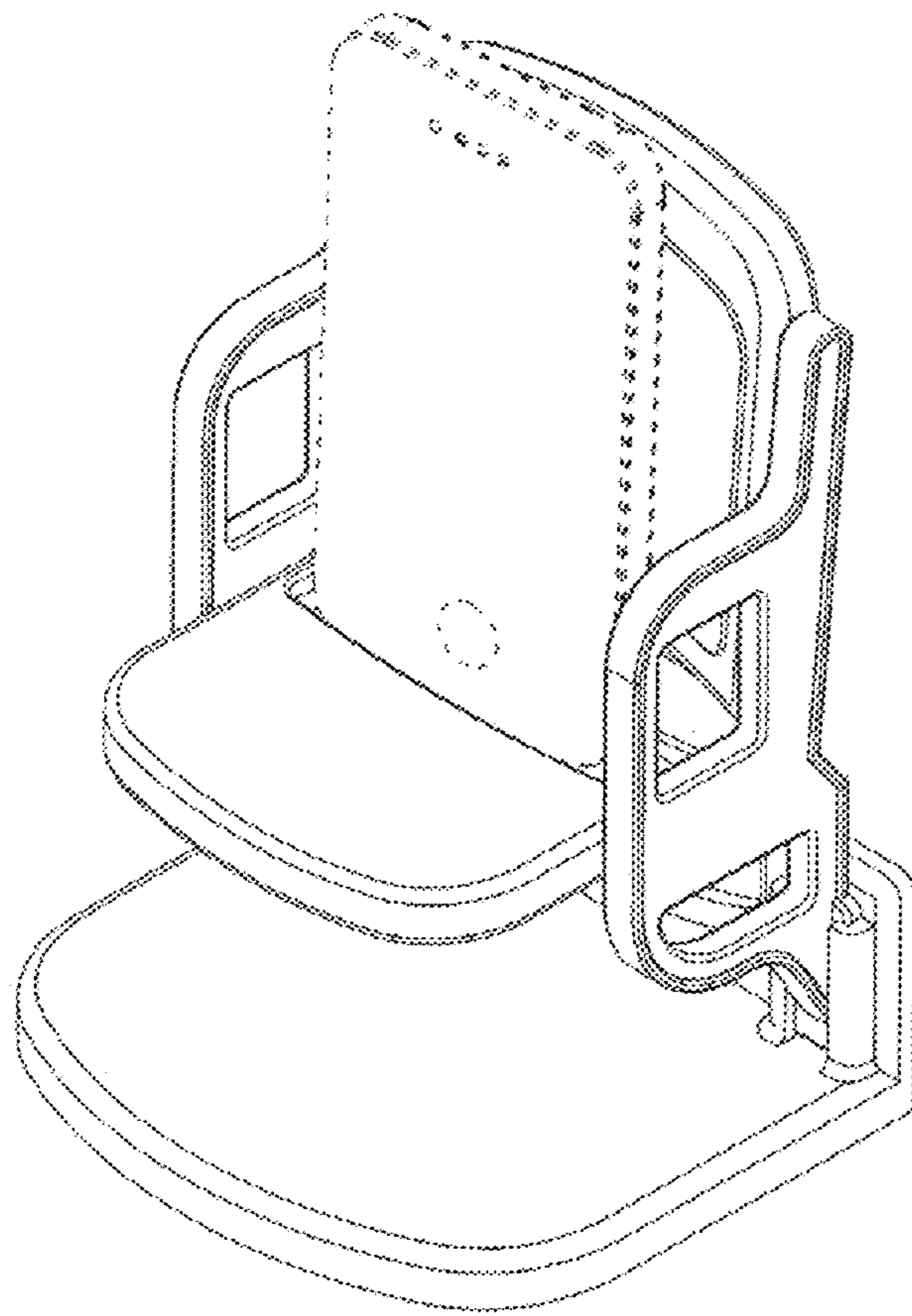


Fig. 2

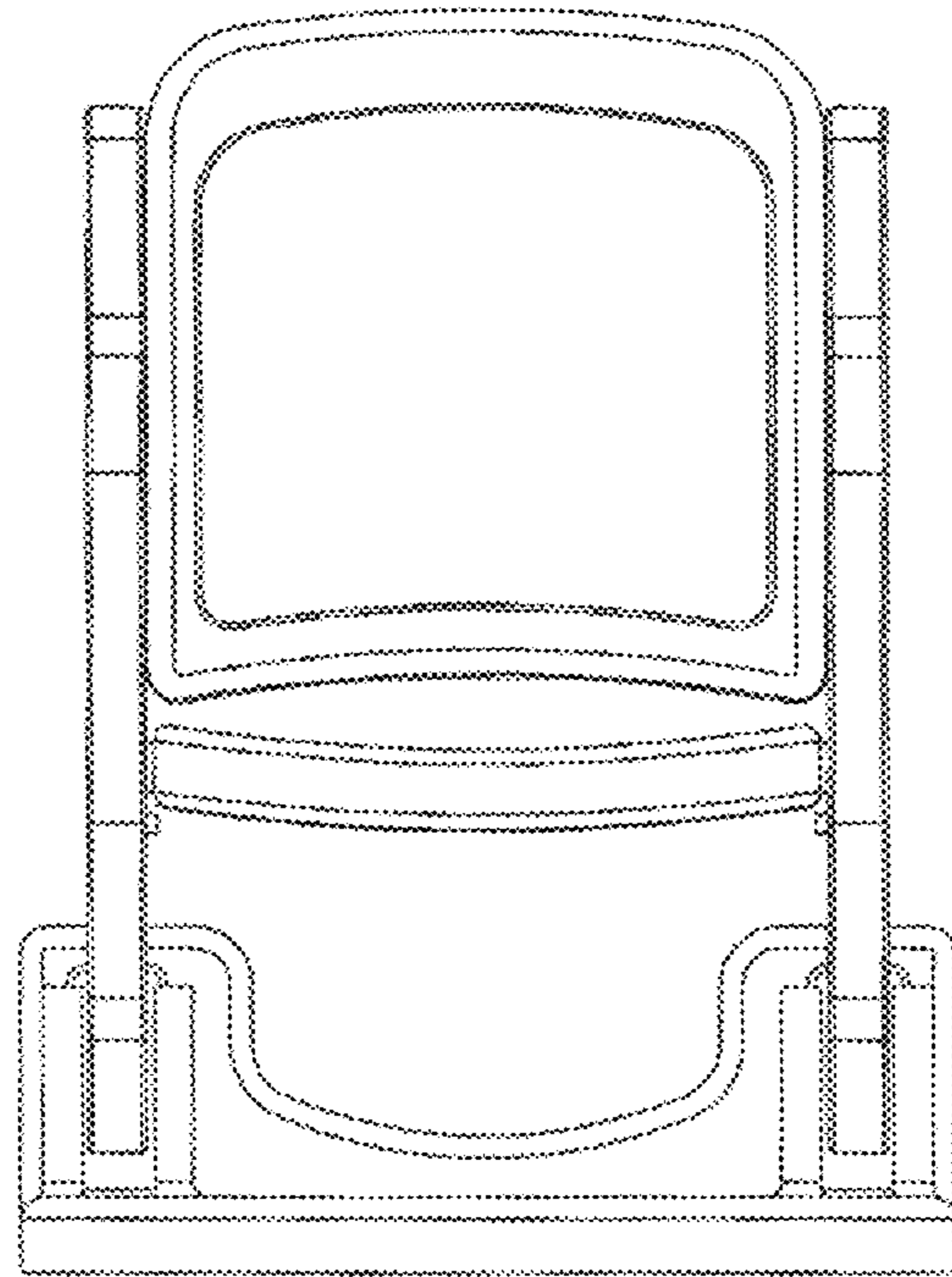


Fig. 3

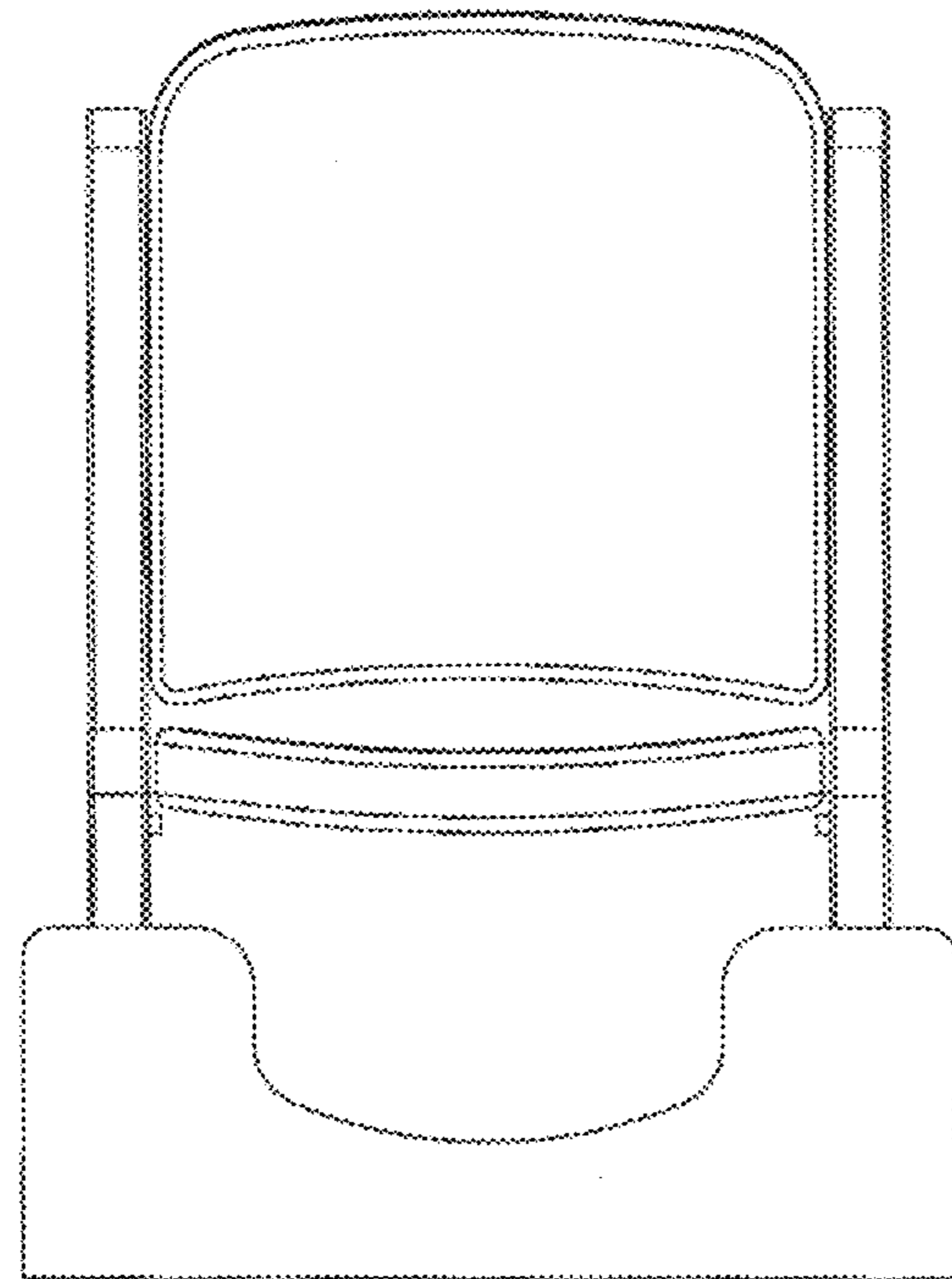


Fig. 4

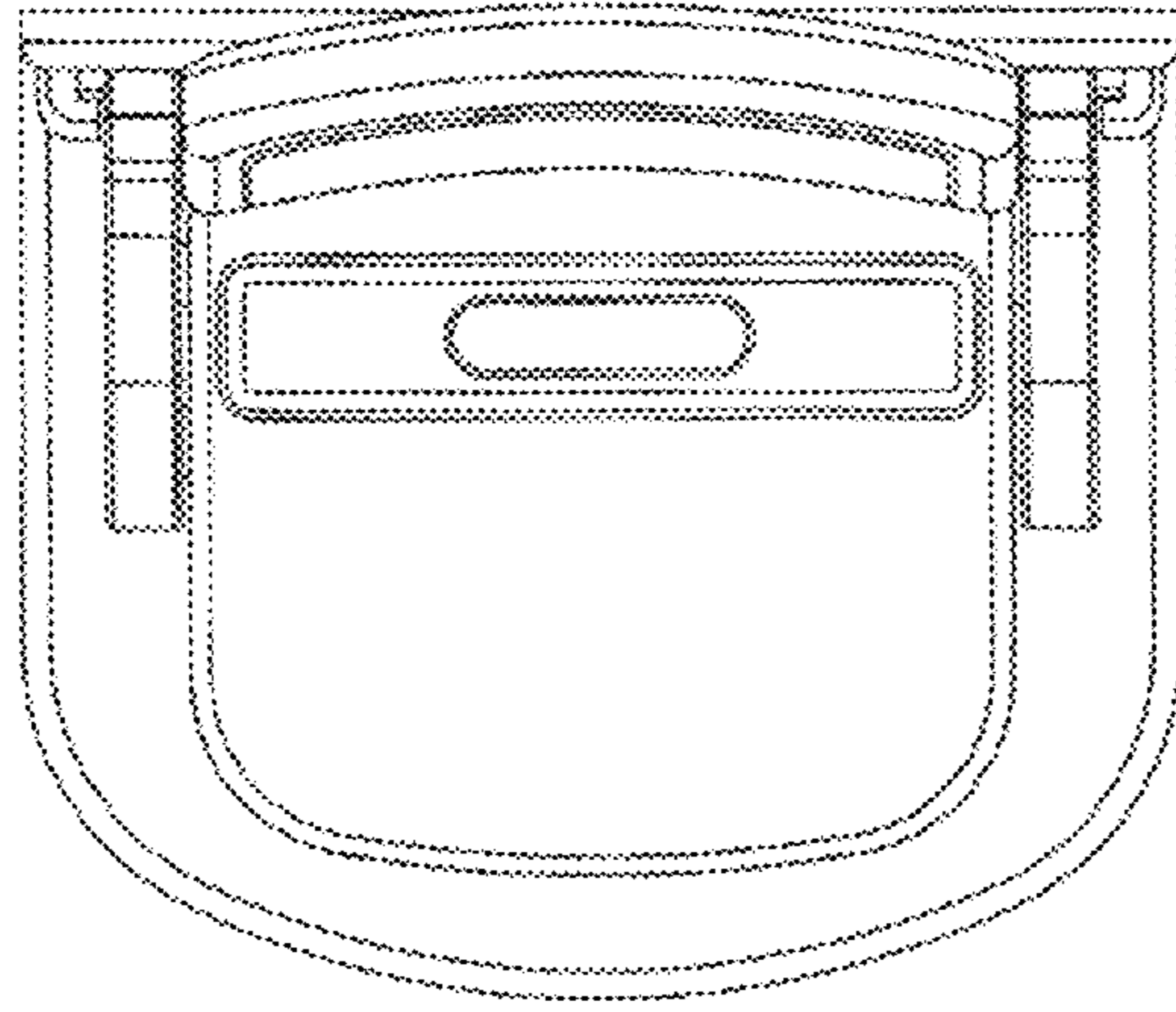


Fig. 5

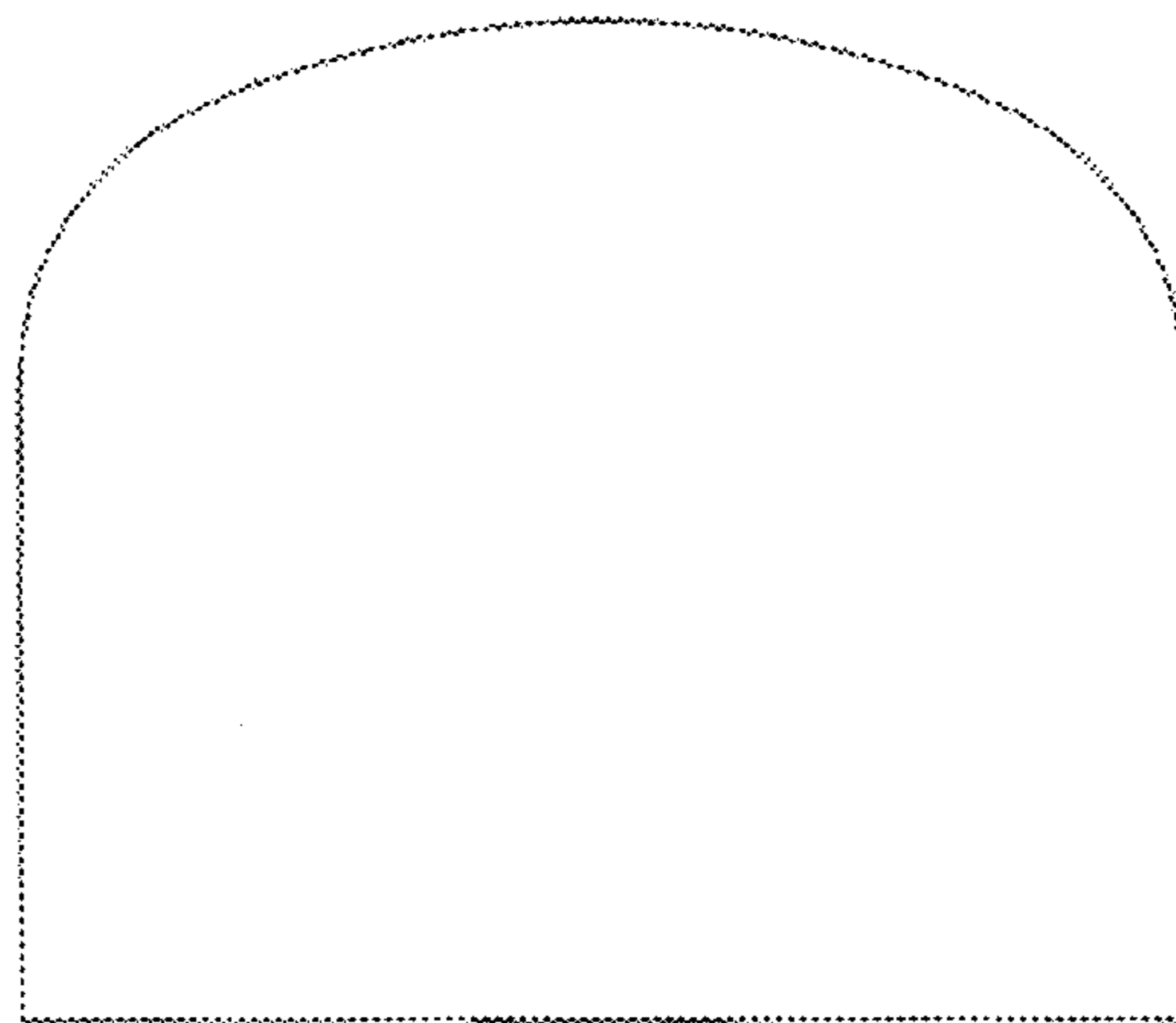


Fig. 6

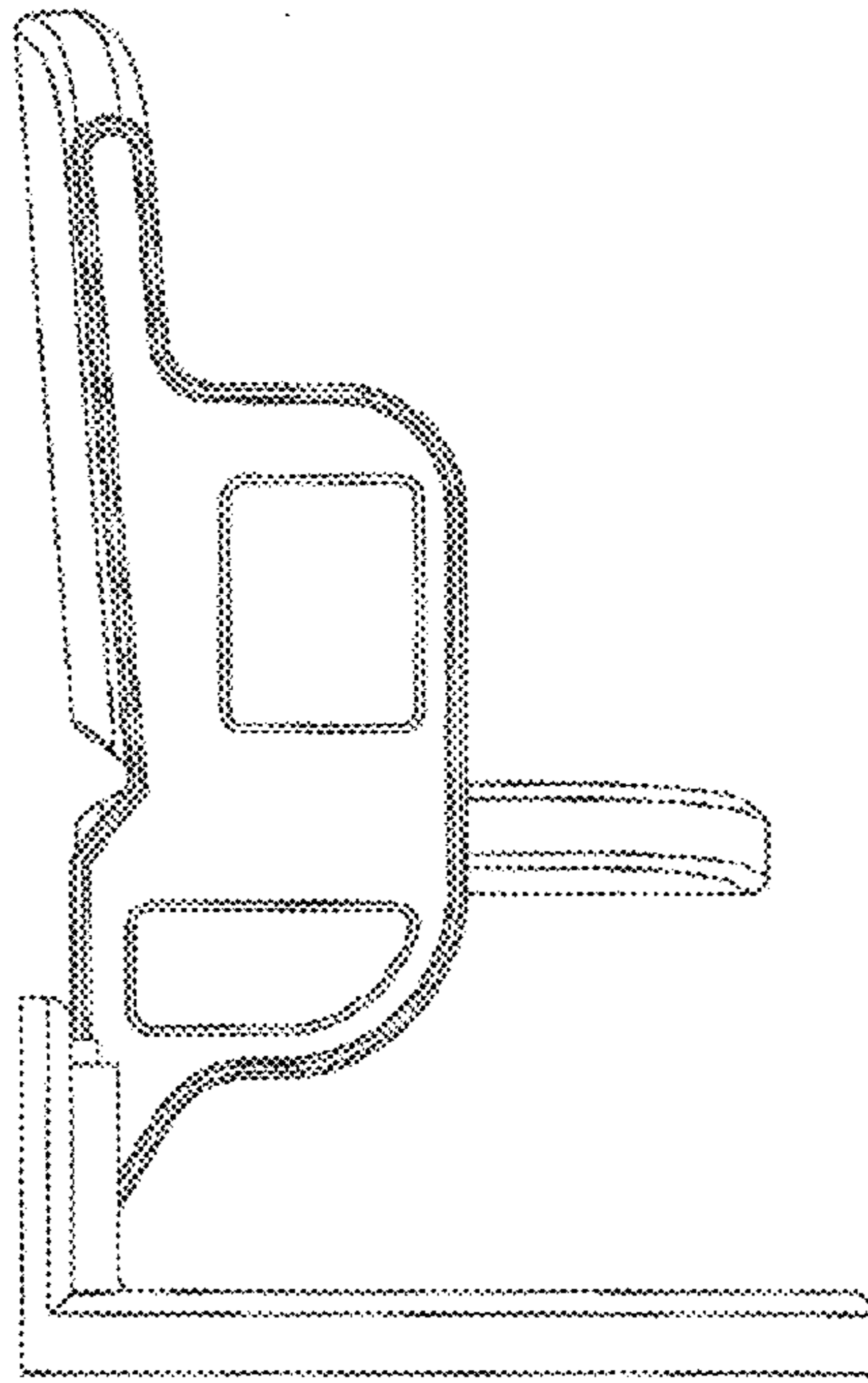


Fig. 7

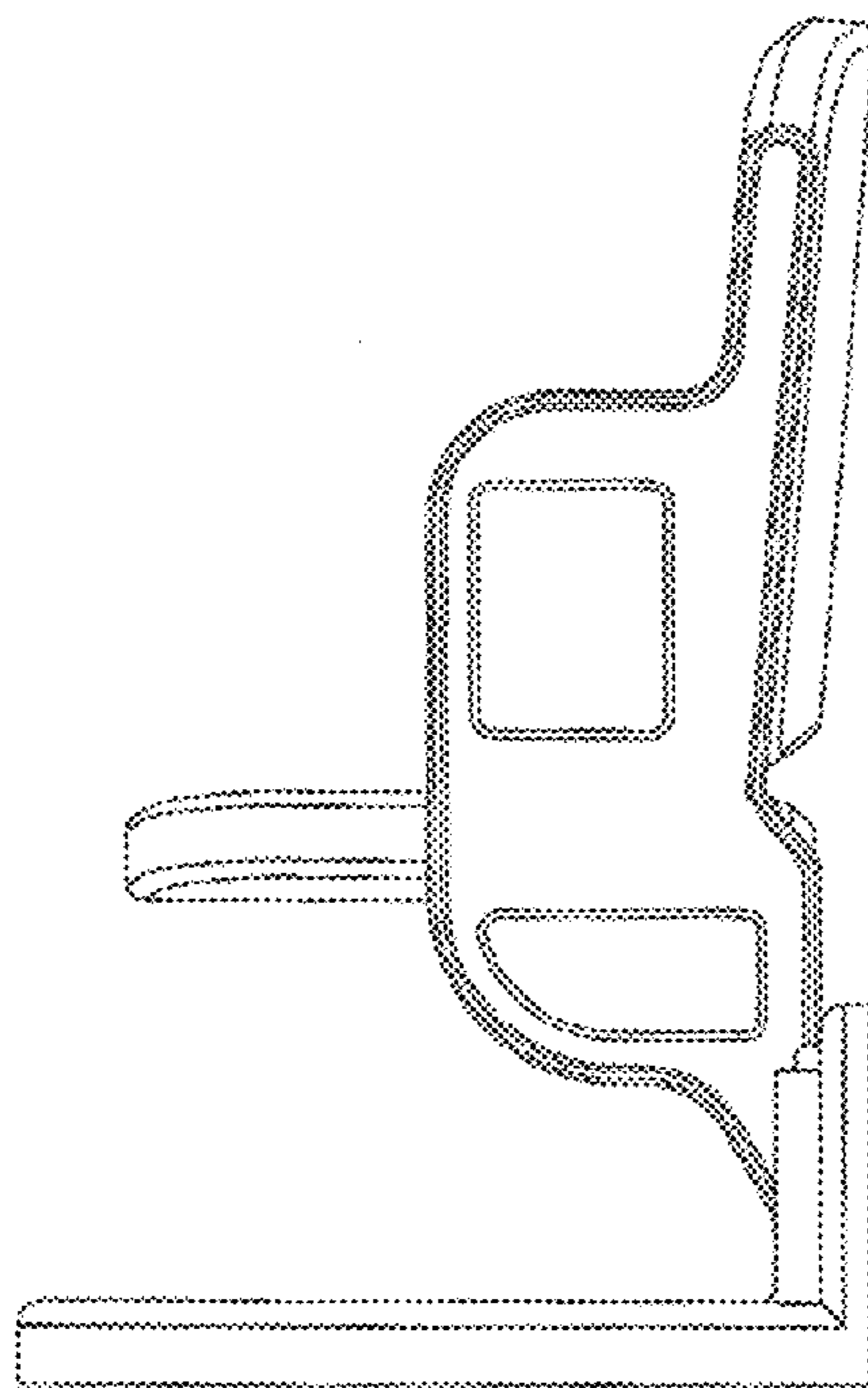


Fig. 8