



US00D711867S

(12) **United States Design Patent**
Harris

(10) **Patent No.:** **US D711,867 S**

(45) **Date of Patent:** **** Aug. 26, 2014**

(54) **SUPPORT COMPONENT**

(71) Applicant: **Victor Harris**, Dubai (AE)

(72) Inventor: **Victor Harris**, Dubai (AE)

(73) Assignee: **Victor Harris**, Dubai (AE)

(**) Term: **14 Years**

(21) Appl. No.: **29/480,889**

(22) Filed: **Jan. 30, 2014**

(51) **LOC (10) Cl.** **14-03**

(52) **U.S. Cl.**
USPC **D14/253**

(58) **Field of Classification Search**
USPC D14/208, 209.1, 217, 238.1, 243,
D14/250–253, 434, 440, 447, 496,
D14/203.3–203.7, 248, 240, 341–347;
D3/201, 215, 218, 226, 269, 273, 301,
D3/303; D19/90; D6/553; 455/575.1,
455/575.8; 206/305, 320; 320/108, 115;
429/96; 220/4.02; 150/165;
361/679.56, 679.3, 679.25, 816;
379/426, 446, 455, 433.1; 248/309.1,
248/371, 176.3, 668; 224/411; D12/223,
D12/407

See application file for complete search history.

(56) **References Cited**

U.S. PATENT DOCUMENTS

D499,092 S *	11/2004	Fan	D14/253
D529,905 S *	10/2006	Richter	D14/253
D530,713 S *	10/2006	Richter	D14/253
7,158,092 B2 *	1/2007	Shen	343/878
D590,184 S *	4/2009	Barabas et al.	D6/466
D606,065 S *	12/2009	Rihu	D14/253
D614,613 S *	4/2010	Kim et al.	D14/253
D626,541 S *	11/2010	Kim et al.	D14/253

D626,953 S *	11/2010	Wilson	D14/252
D670,284 S *	11/2012	Choi	D14/253
D671,110 S *	11/2012	Choi	D14/253
D685,379 S *	7/2013	Richter	D14/447
D685,804 S *	7/2013	Richter	D14/447
D696,241 S *	12/2013	Paugh et al.	D14/253
2002/0191782 A1 *	12/2002	Beger et al.	379/454
2005/0236536 A1 *	10/2005	Fan	248/176.3
2011/0019992 A1 *	1/2011	Orf	396/419

* cited by examiner

Primary Examiner — Susan Bennett Hattan

Assistant Examiner — Janice Hallmark

(74) *Attorney, Agent, or Firm* — Quinn Law Group, PLLC

(57) **CLAIM**

I claim the ornamental design for a support component, as shown and described herein.

DESCRIPTION

FIG. 1 is a rear perspective view of the support component, in a closed position.

FIG. 2 is a rear view of the support component of FIG. 1, in the closed position.

FIG. 3 is a front view of the support component of FIG. 1, in the closed position.

FIG. 4 is a top view of the support component of FIG. 1, in the closed position.

FIG. 5 is a left side view of the support component of FIG. 1, in the closed position.

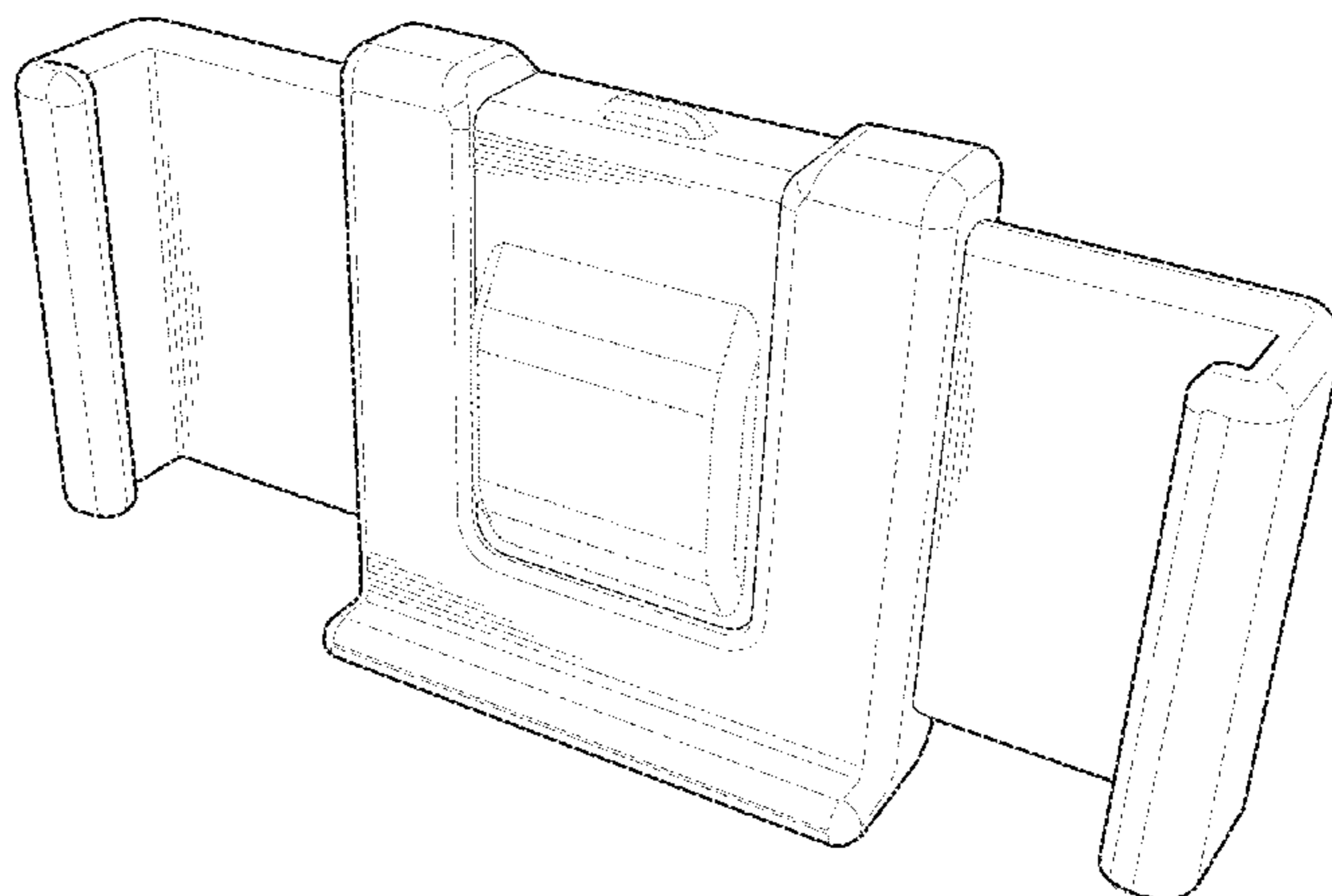
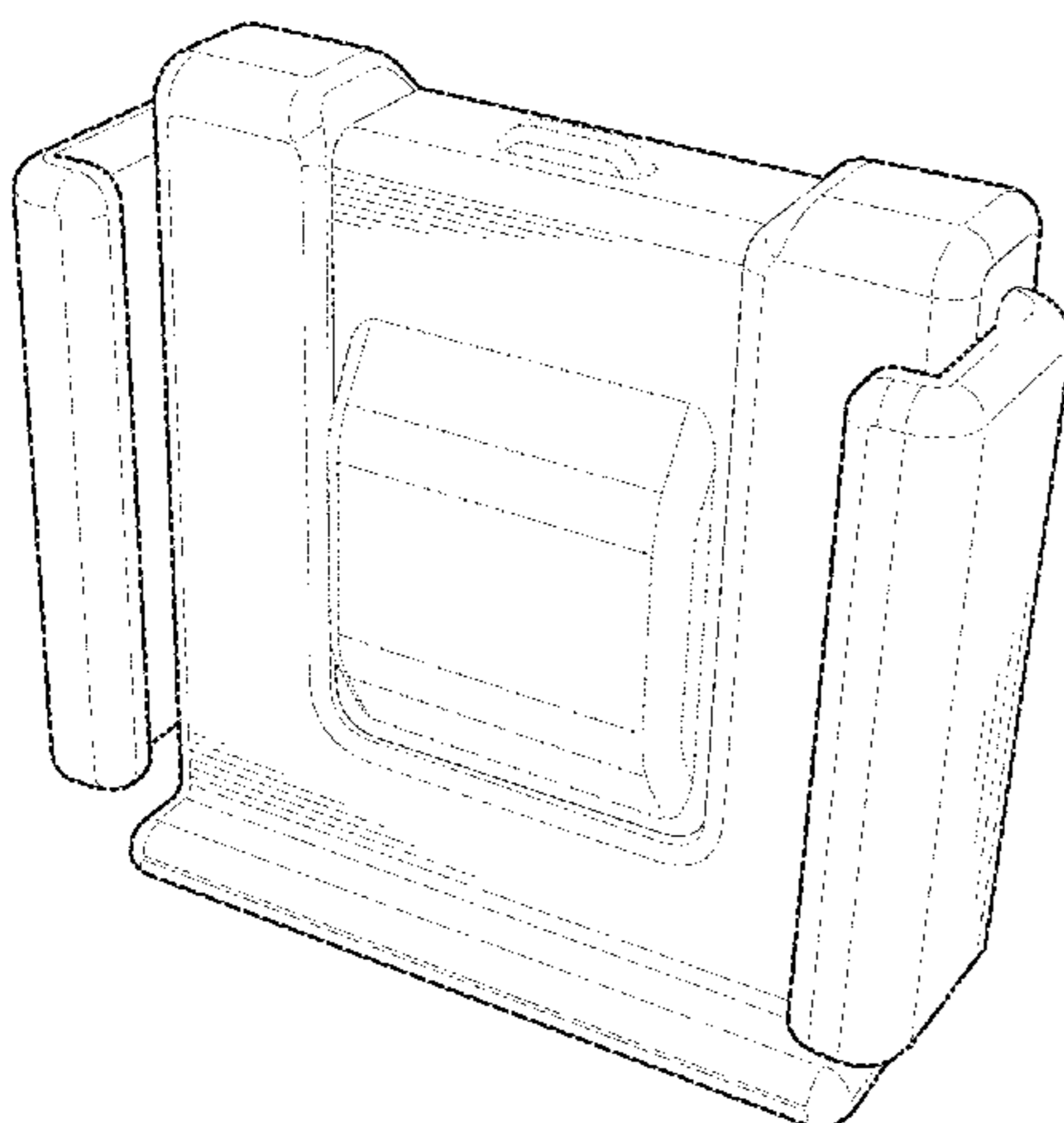
FIG. 6 is a bottom view of the support component of FIG. 1, in the closed position.

FIG. 7 is a right side view of the support component of FIG. 1, in the closed position; and,

FIG. 8 is a rear perspective view of the support component of FIG. 1, in an open position.

All broken lines illustrate portions of the support component to which the design is applied that form no part of the claim.

1 Claim, 5 Drawing Sheets



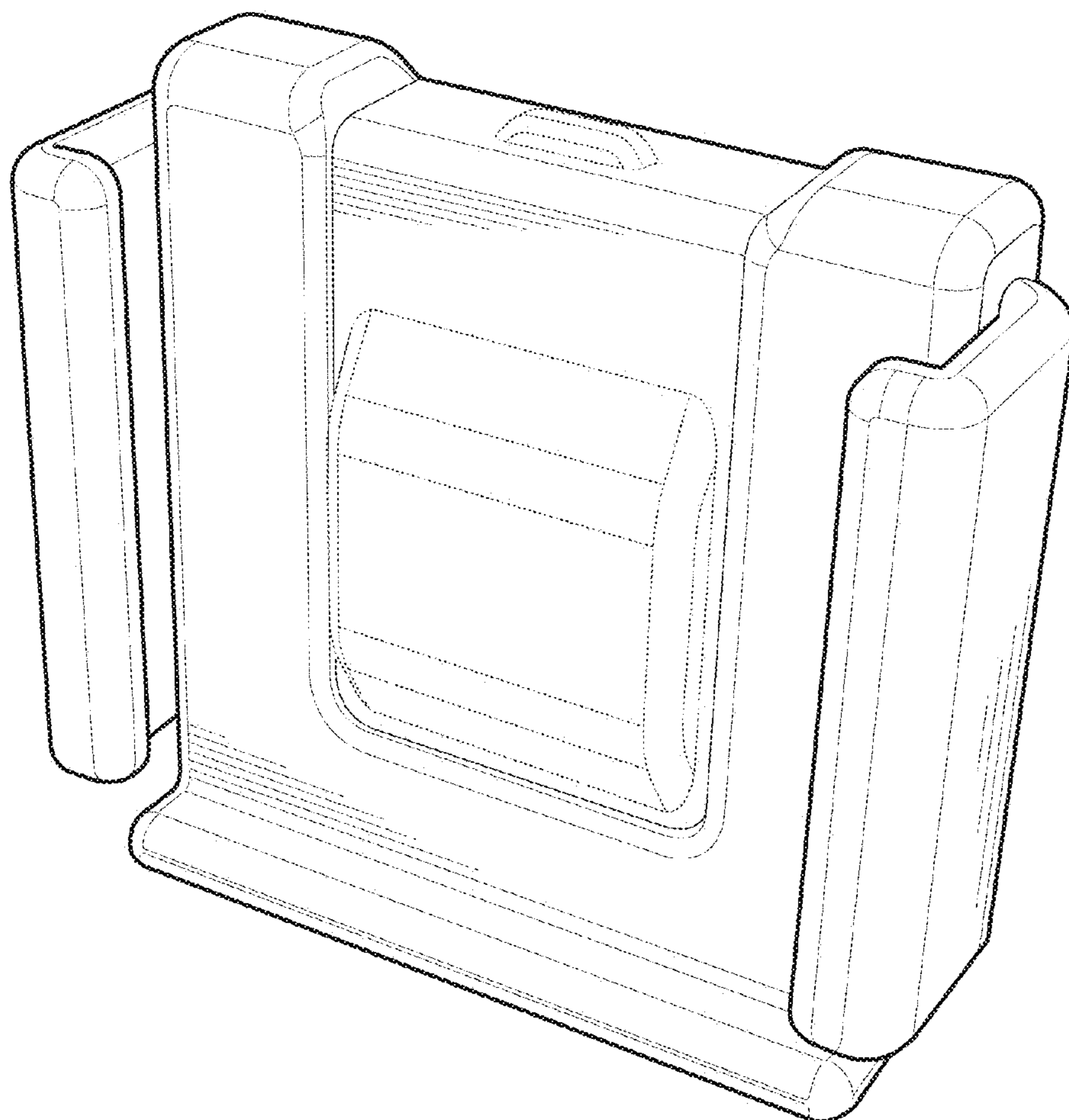


FIG. 1

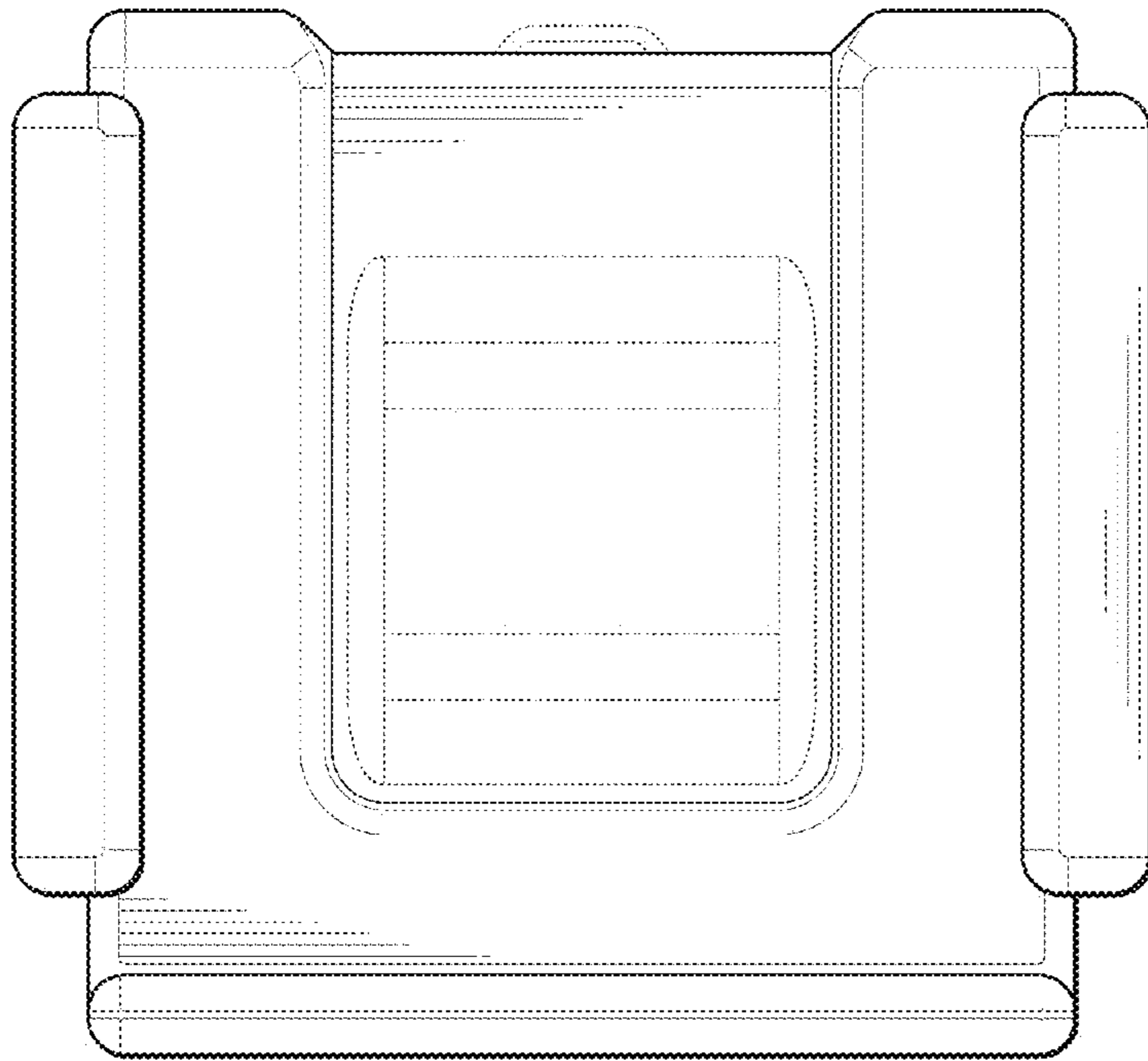


FIG. 2

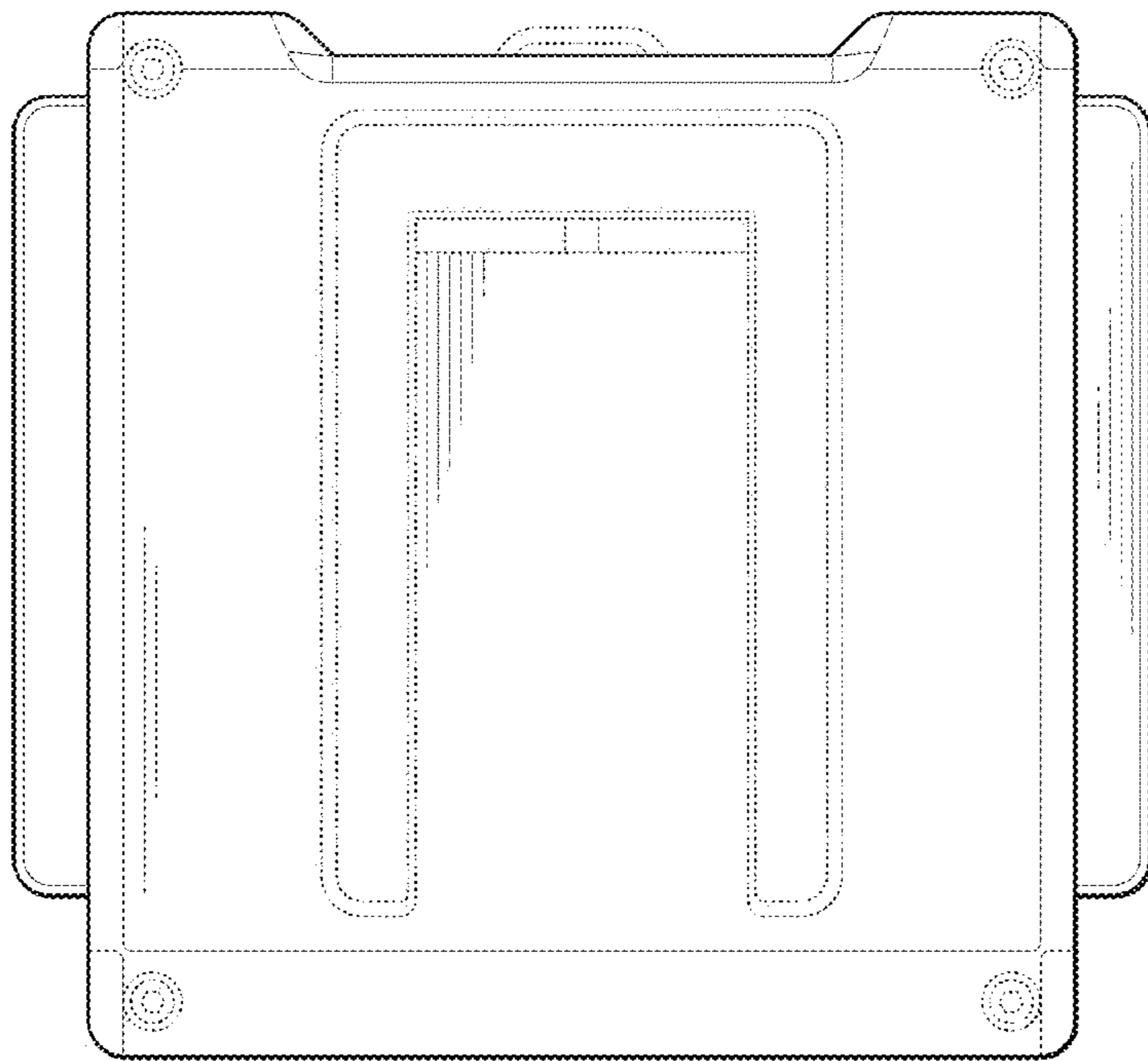


FIG. 3

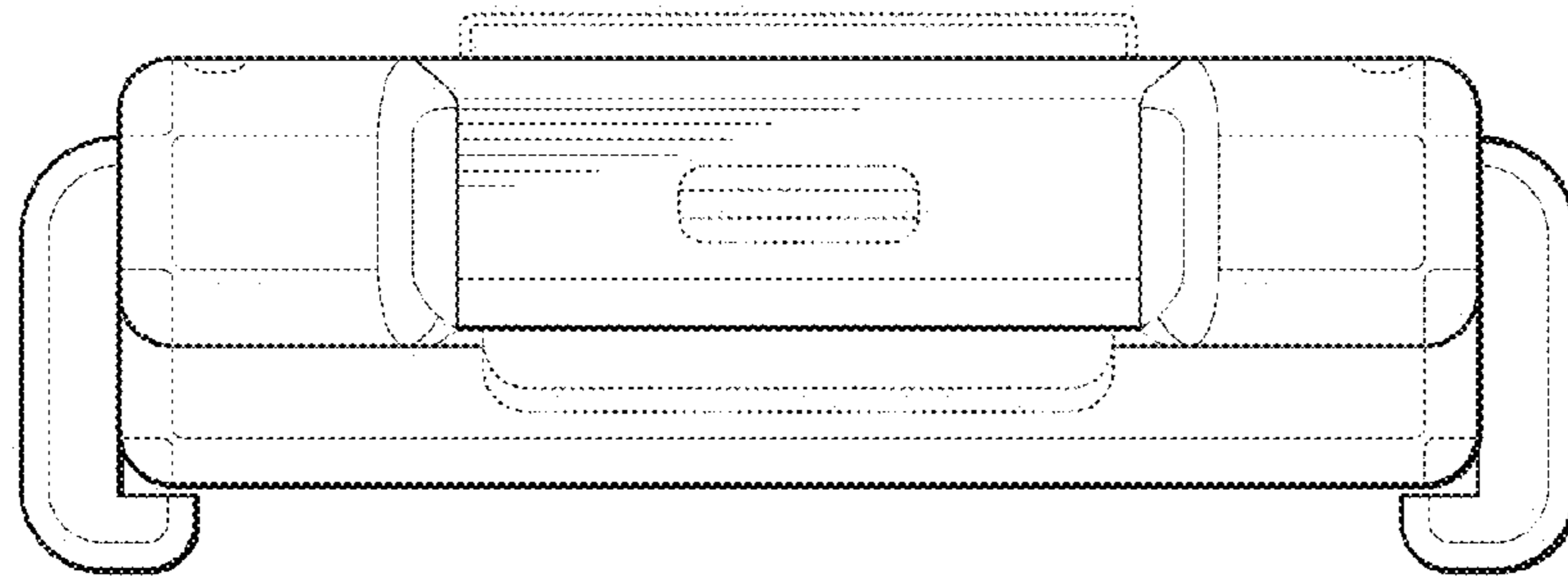


FIG. 4

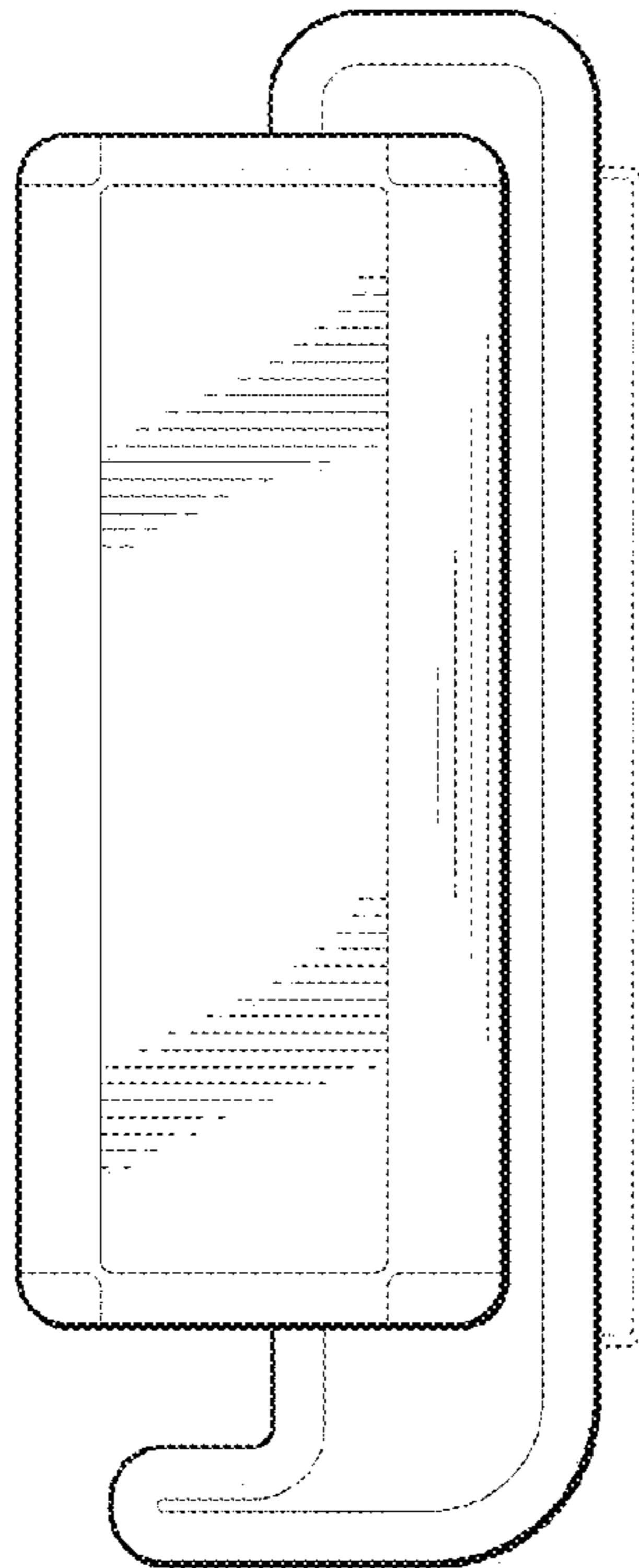


FIG. 5

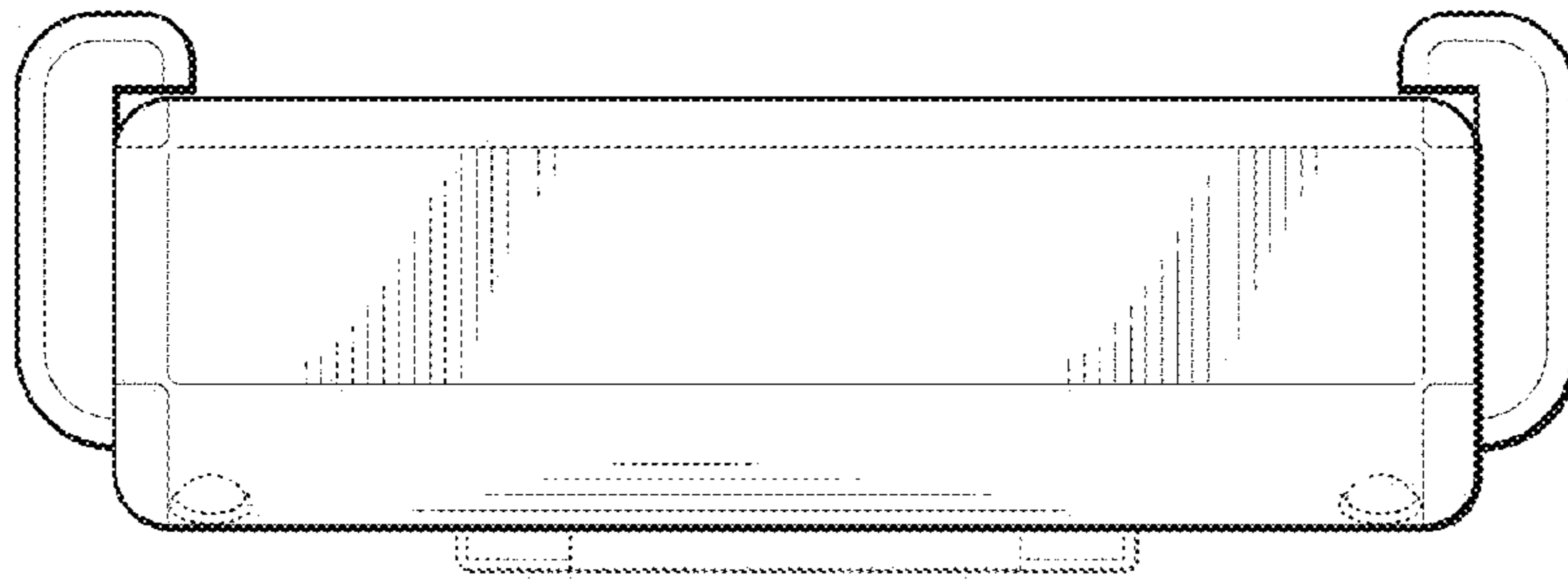


FIG. 6

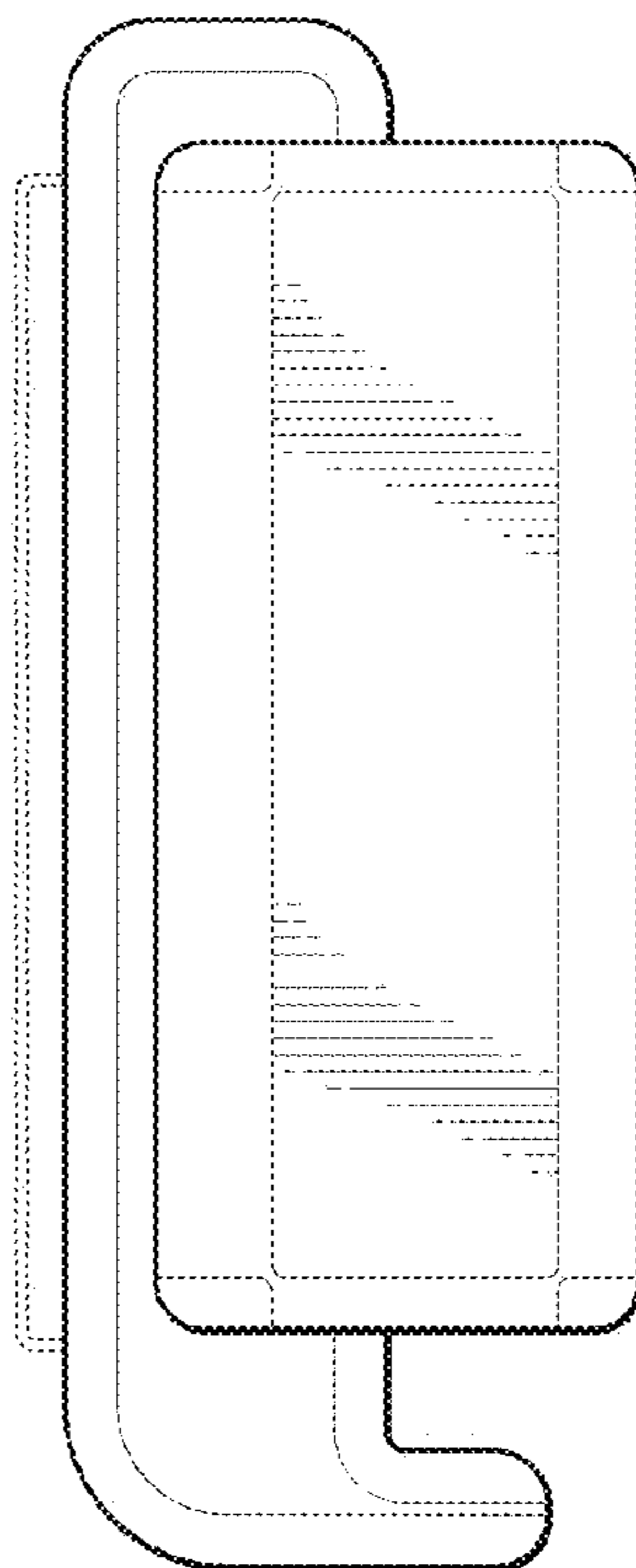


FIG. 7

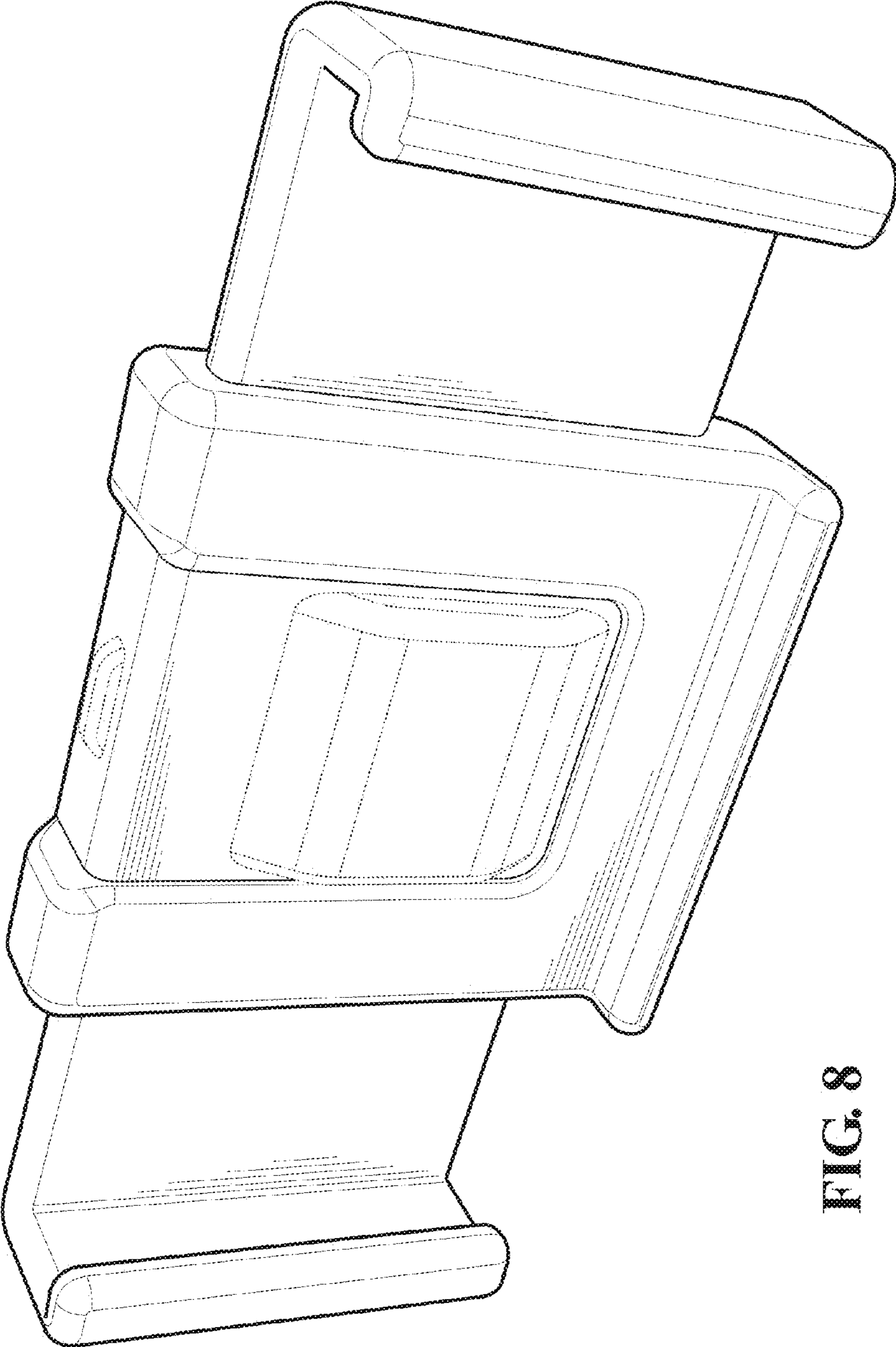


FIG. 8