



US00D711866S

(12) **United States Design Patent**  
**Kawata**

(10) **Patent No.:** **US D711,866 S**  
(45) **Date of Patent:** **\*\* Aug. 26, 2014**

- (54) **CASE FOR MOBILE TERMINAL**
- (71) Applicant: **Artrance Church Co., Ltd.**, Kanagawa (JP)
- (72) Inventor: **Masanao Kawata**, Kanagawa (JP)
- (73) Assignee: **Artrance Church Co., Ltd.**, Kanagawa (JP)
- (\*\*) Term: **14 Years**
- (21) Appl. No.: **29/465,414**
- (22) Filed: **Aug. 28, 2013**

- (30) **Foreign Application Priority Data**  
Apr. 30, 2013 (JP) ..... D2013-009683
- (51) **LOC (10) Cl.** ..... **14-03**
- (52) **U.S. Cl.**  
USPC ..... **D14/250**
- (58) **Field of Classification Search**  
USPC ..... D14/250–253, 440, 203.3–203.7, 217, D14/496, 248, 238.1, 240, 447, 341–347, D14/444; D13/103, 107–108, 119; D3/201, D3/218, 247, 269, 273, 301, 303; 248/176.3, 188.8, 309.1, 371, 668; 361/220, 379.01, 679.01, 679.02, 361/679.09, 679.21, 679.25, 679.3, 679.4, 361/679.56, 679.57, 759, 807, 816; 379/433.11, 451, 455; 455/556.1, 557, 455/566, 575.1, 575.2, 575.8; 206/37, 45.2, 206/305, 320, 216; 320/108, 115; 429/96; 220/4.02; 150/165; 174/50; 235/41, 235/375, 462; 312/223.1; 396/535  
See application file for complete search history.

- (56) **References Cited**  
U.S. PATENT DOCUMENTS  
D643,433 S \* 8/2011 Hsieh et al. .... D14/440  
D651,205 S \* 12/2011 Soekoro ..... D14/250

- D671,930 S \* 12/2012 Akana et al. .... D14/250
- D673,937 S \* 1/2013 Cheng et al. .... D14/250
- D674,380 S \* 1/2013 Soekoro ..... D14/250
- D684,357 S \* 6/2013 Pegg ..... D3/218
- D687,026 S \* 7/2013 Ruvolo ..... D14/250
- D703,429 S \* 4/2014 Morrison ..... D3/218
- D704,243 S \* 5/2014 Ikegame ..... D16/237
- 8,746,448 B1 \* 6/2014 Bellace ..... 206/320

(Continued)

**FOREIGN PATENT DOCUMENTS**

- JP D1461514 2/2013
- JP D1473191 6/2013

**OTHER PUBLICATIONS**

Jewel Phone, published Dec. 9, 2013, <URL:http://ameblo.jp/okite-minako/entry-11726488362.html>, retrieved from internet on Jun. 15, 2014.\*

(Continued)

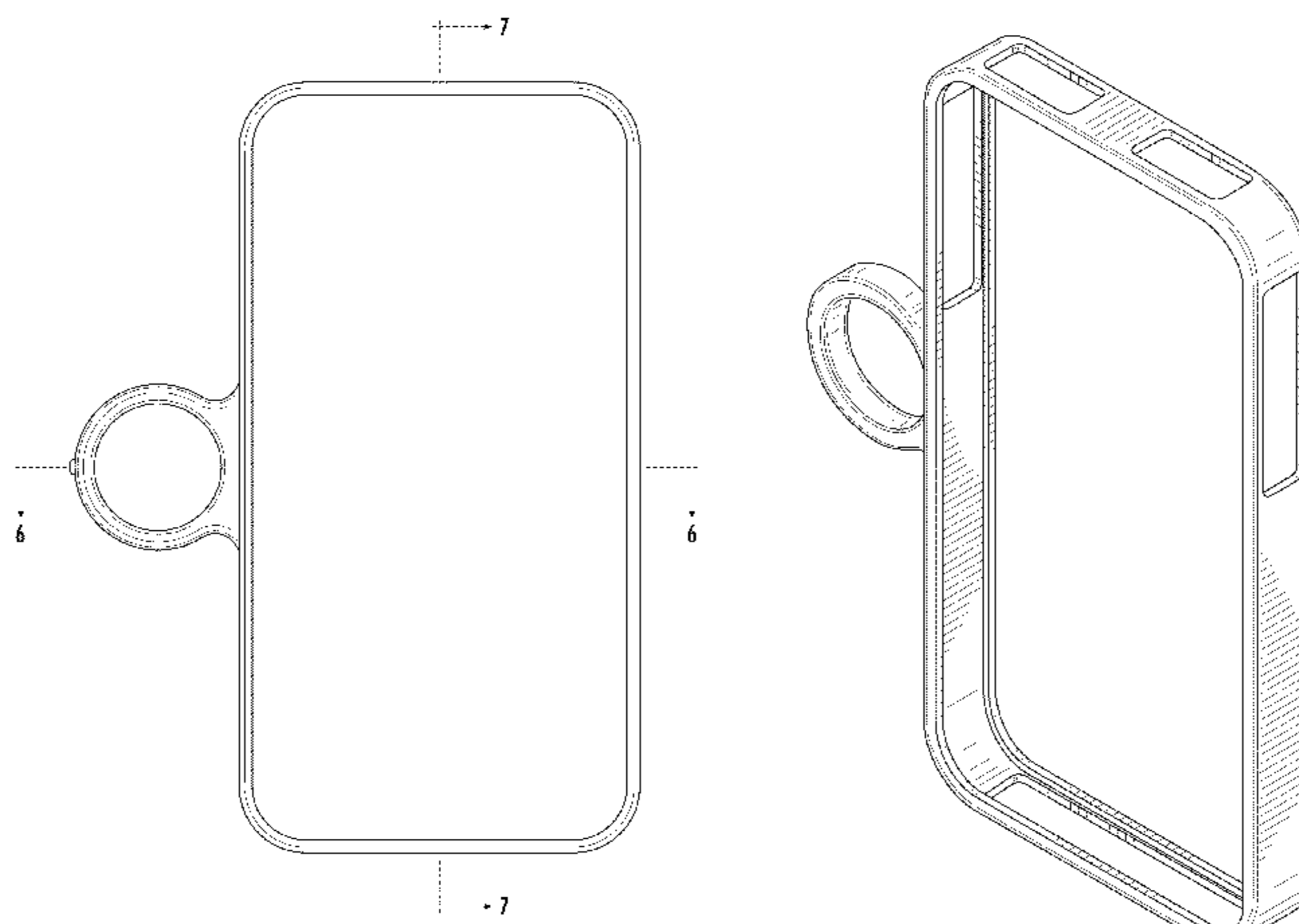
*Primary Examiner* — Carla Jobe Wright  
(74) *Attorney, Agent, or Firm* — McClure, Qualey & Rodack, LLP

- (57) **CLAIM**  
The ornamental design for a case for mobile terminal, as shown and described.

**DESCRIPTION**

FIG. 1 is a front view of my new design;  
FIG. 2 is a left side view thereof;  
FIG. 3 is a right side view thereof;  
FIG. 4 is a top view thereof;  
FIG. 5 is a bottom view thereof;  
FIG. 6 is a cross-sectional view taken along line 6-6 of FIG. 1;  
FIG. 7 is a cross-sectional view taken along line 7-7 of FIG. 1;  
and,  
FIG. 8 is a perspective view thereof.

**1 Claim, 5 Drawing Sheets**



(56)

**References Cited**

U.S. PATENT DOCUMENTS

2011/0297578 A1\* 12/2011 Stiehl et al. .... 206/701  
2012/0000908 A1\* 1/2012 So ..... 220/281  
2012/0025039 A1\* 2/2012 Segal ..... 248/188.6  
2012/0031937 A1\* 2/2012 Baker ..... 224/217  
2012/0055960 A1\* 3/2012 Chen ..... 224/101  
2012/0110868 A1\* 5/2012 Abbondanzio ..... 33/645  
2012/0305445 A1\* 12/2012 Hu ..... 206/775  
2013/0102368 A1\* 4/2013 Lee ..... 455/575.8  
2013/0148271 A1\* 6/2013 Huang ..... 361/679.01

2013/0210503 A1\* 8/2013 Keesling et al. .... 455/575.1  
2013/0240380 A1\* 9/2013 Hansen ..... 206/37  
2013/0279098 A1\* 10/2013 Cho ..... 361/679.01

OTHER PUBLICATIONS

Jewel Phone Color for iPhone5/5s, <URL:http://select.cuna.jp/item/147.html>, retrieved from internet on Jun. 15, 2014.\*  
English translation of publication of D1473191 (published Jun. 24, 2013).  
English translation of publication of D1461514 (published Feb. 12, 2013).

\* cited by examiner

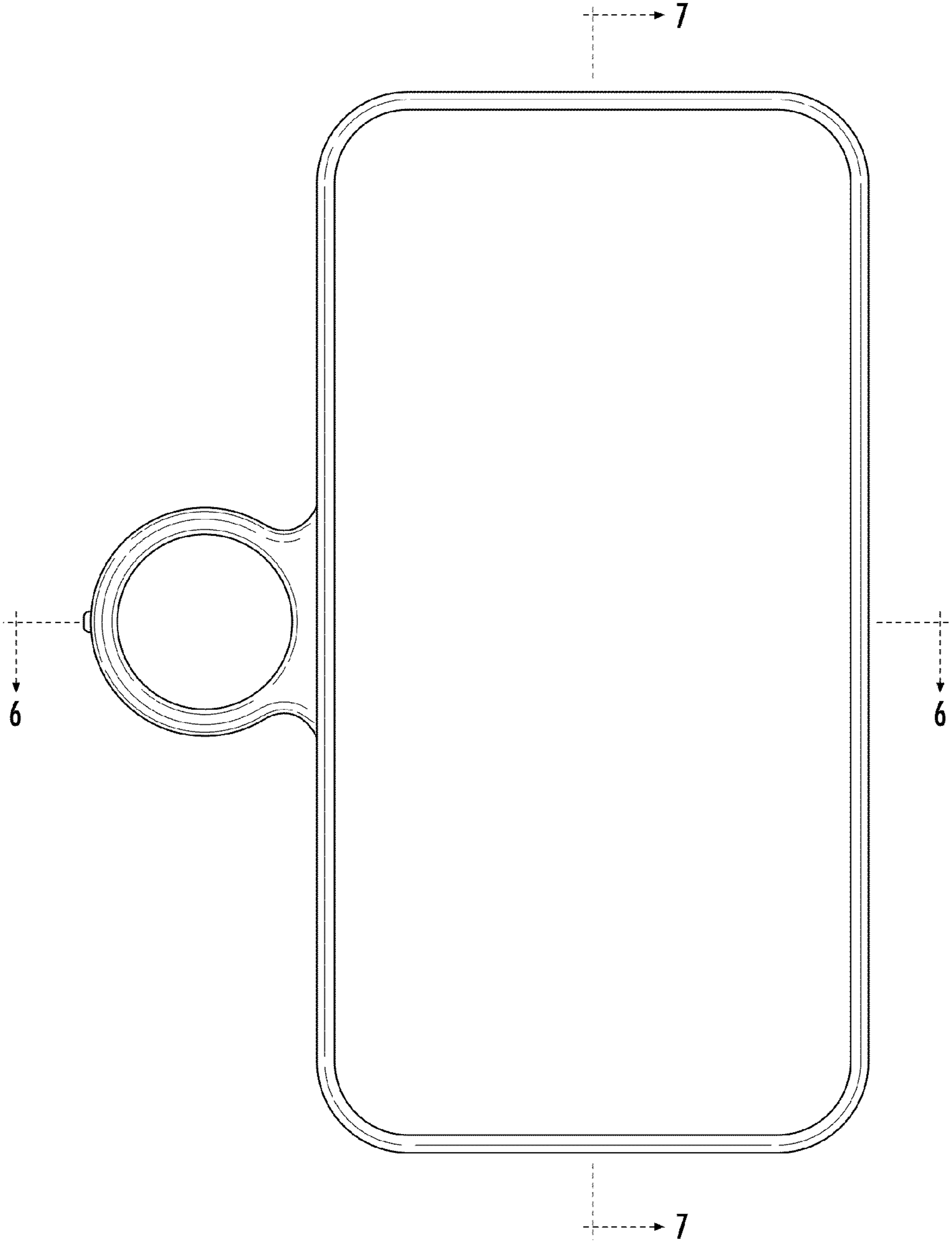
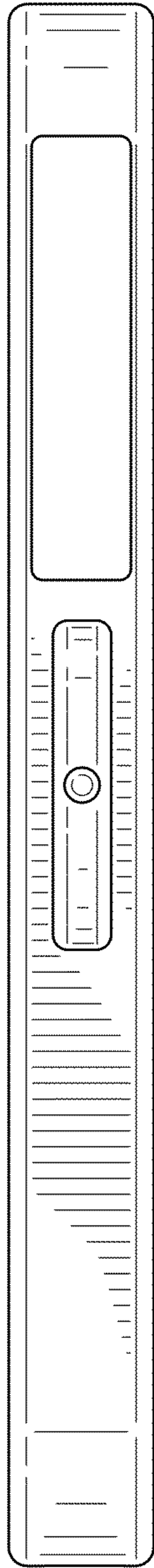
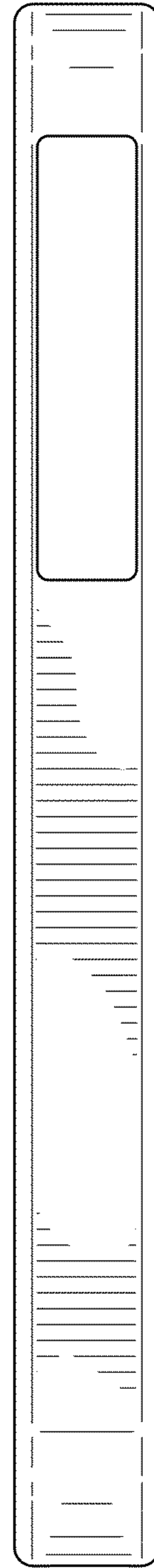


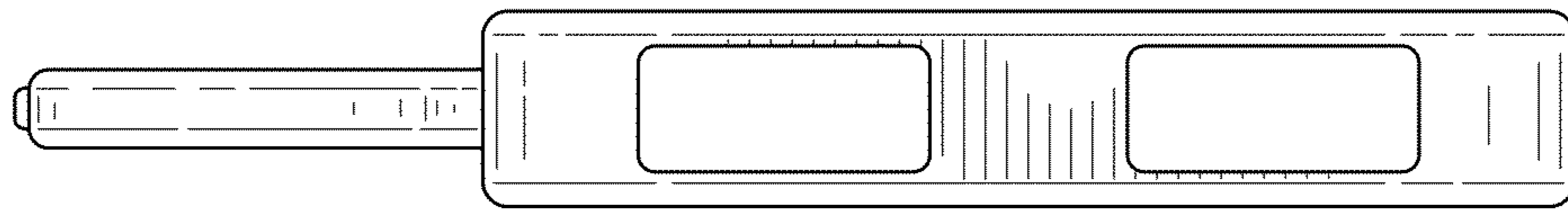
FIG. 1



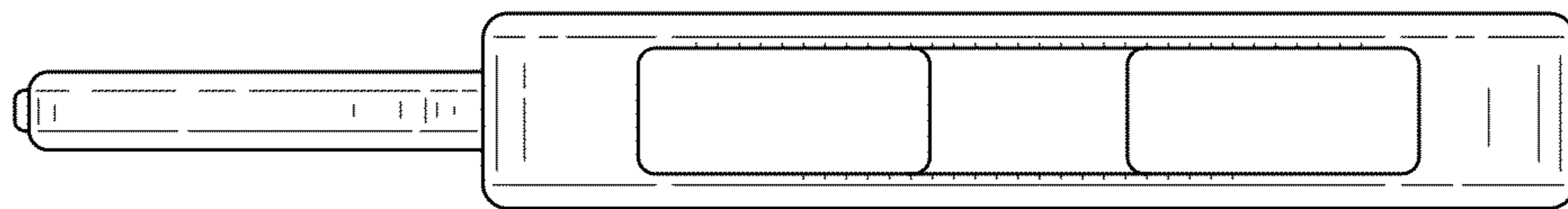
**FIG. 2**



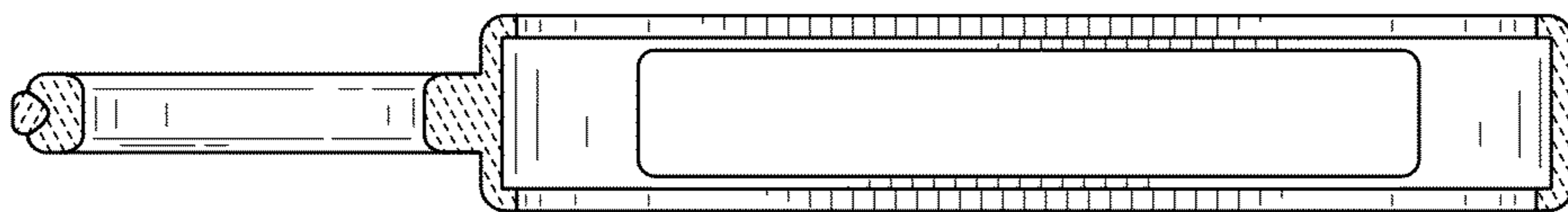
**FIG. 3**



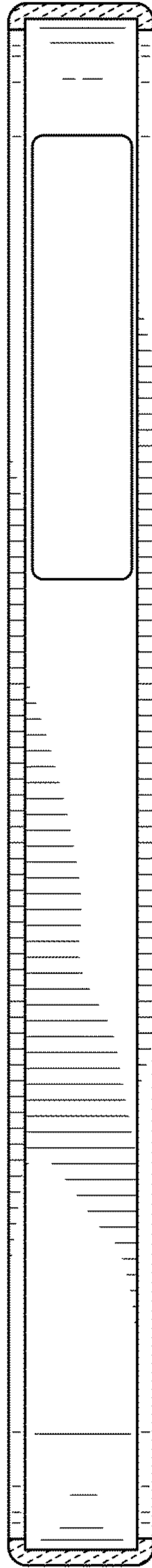
**FIG. 4**



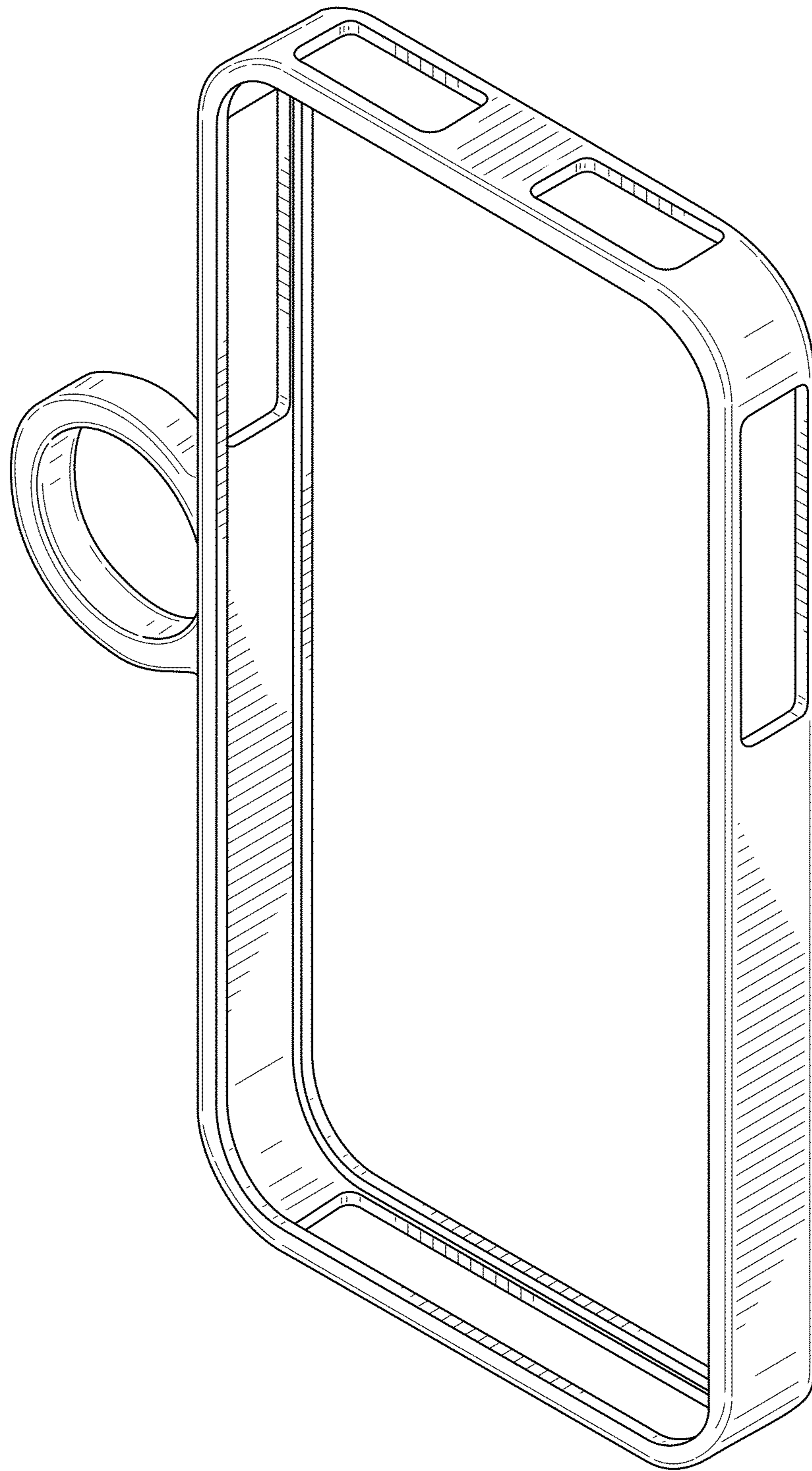
**FIG. 5**



**FIG. 6**



**FIG. 7**



**FIG. 8**