



US00D711864S

(12) **United States Design Patent**
Poon

(10) **Patent No.:** **US D711,864 S**

(45) **Date of Patent:** **** Aug. 26, 2014**

(54) **CASE FOR A TOUCH SCREEN DEVICE**

(71) Applicant: **Daniel Poon**, Nashville, TN (US)

(72) Inventor: **Daniel Poon**, Nashville, TN (US)

(73) Assignee: **Griffin Technology, Inc.**, Nashville, TN (US)

(**) Term: **14 Years**

(21) Appl. No.: **29/444,473**

(22) Filed: **Jan. 31, 2013**

(51) **LOC (10) Cl.** **14-03**

(52) **U.S. Cl.**
USPC **D14/250**

(58) **Field of Classification Search**
CPC ... G06F 1/1635; G06F 1/1656; G06F 1/1679;
G06F 2200/1632
USPC D14/138 AD, 138 C, 138 G, 203.7, 230,
D14/238.1, 240, 247, 248, 250, 253, 341,
D14/345, 346, 439, 440, 447, 496;
D13/103, 107, 108, 119; D3/201, 218,
D3/247, 269, 273, 301, 303; 361/679.56,
361/679.3, 679.25, 816; 206/320; 379/426,
379/433.11, 455; 455/575.1, 575.8

See application file for complete search history.

(56) **References Cited**

U.S. PATENT DOCUMENTS

D624,067 S * 9/2010 Peng D14/315
D624,068 S * 9/2010 Peng et al. D14/315

D624,069 S * 9/2010 Peng et al. D14/324
D638,828 S * 5/2011 Melanson et al. D14/250
D650,376 S * 12/2011 Wibby et al. D14/250
D651,204 S * 12/2011 Wibby et al. D14/250
D681,020 S * 4/2013 Magness et al. D14/238.1
D681,613 S * 5/2013 Magness et al. D14/238.1
D681,623 S * 5/2013 Chang et al. D14/250
D684,568 S * 6/2013 Fitzgerald et al. D14/250
D698,343 S * 1/2014 Chang et al. D14/250

* cited by examiner

Primary Examiner — Thomas Johannes

Assistant Examiner — Chelsea Sealey

(74) *Attorney, Agent, or Firm* — Hornkohl Intellectual Property Law PLLC; Jason L. Hornkohl

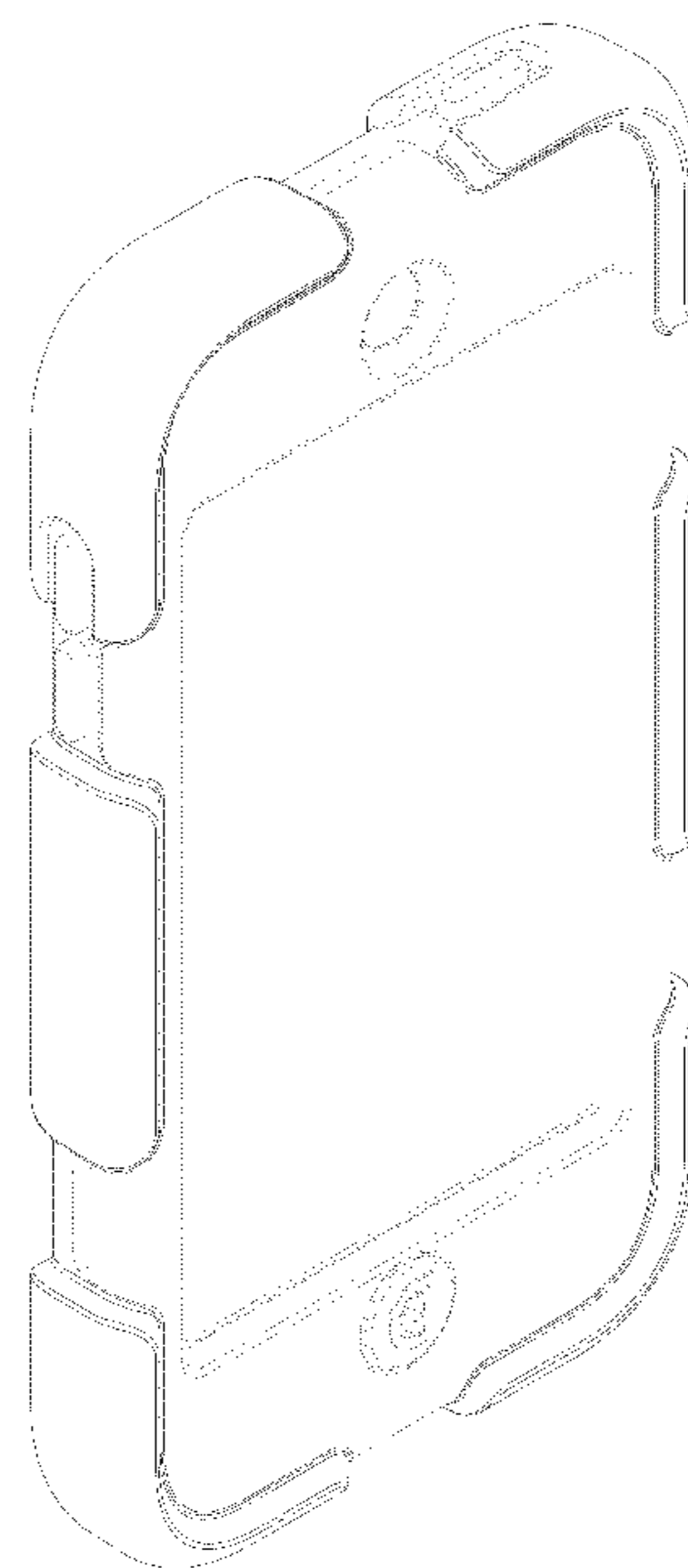
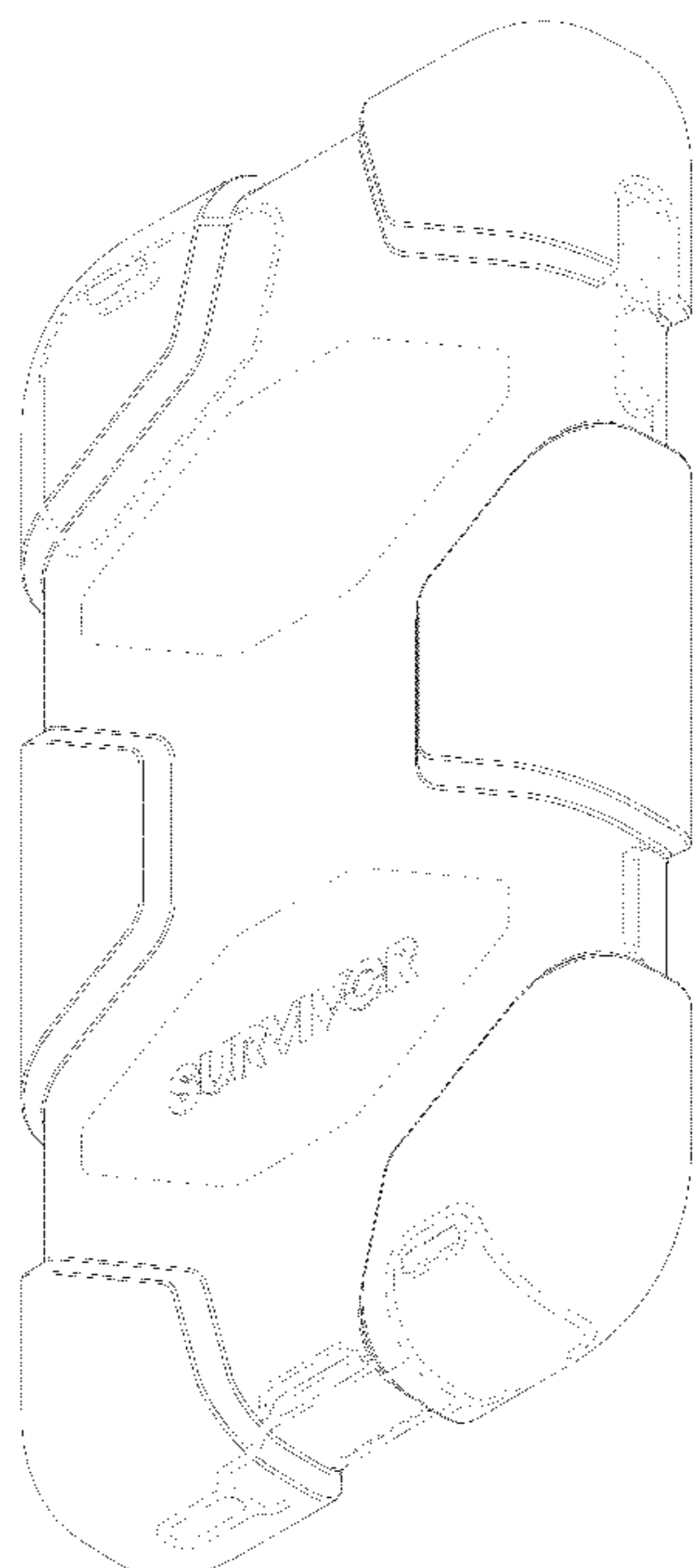
(57) **CLAIM**

The ornamental design for a case for a touch screen device, as shown and described.

DESCRIPTION

FIG. 1 is a back isometric view of a case for a touch screen device, showing my new design;
FIG. 2 is a back view thereof;
FIG. 3 is a right side view thereof;
FIG. 4 is a front view thereof;
FIG. 5 is a top view thereof;
FIG. 6 is a bottom view thereof;
FIG. 7 is a left side view thereof; and,
FIG. 8 is a front isometric view thereof.
The broken dashed lines indicate unclaimed portions of the article that form no part of the claimed design.

1 Claim, 7 Drawing Sheets



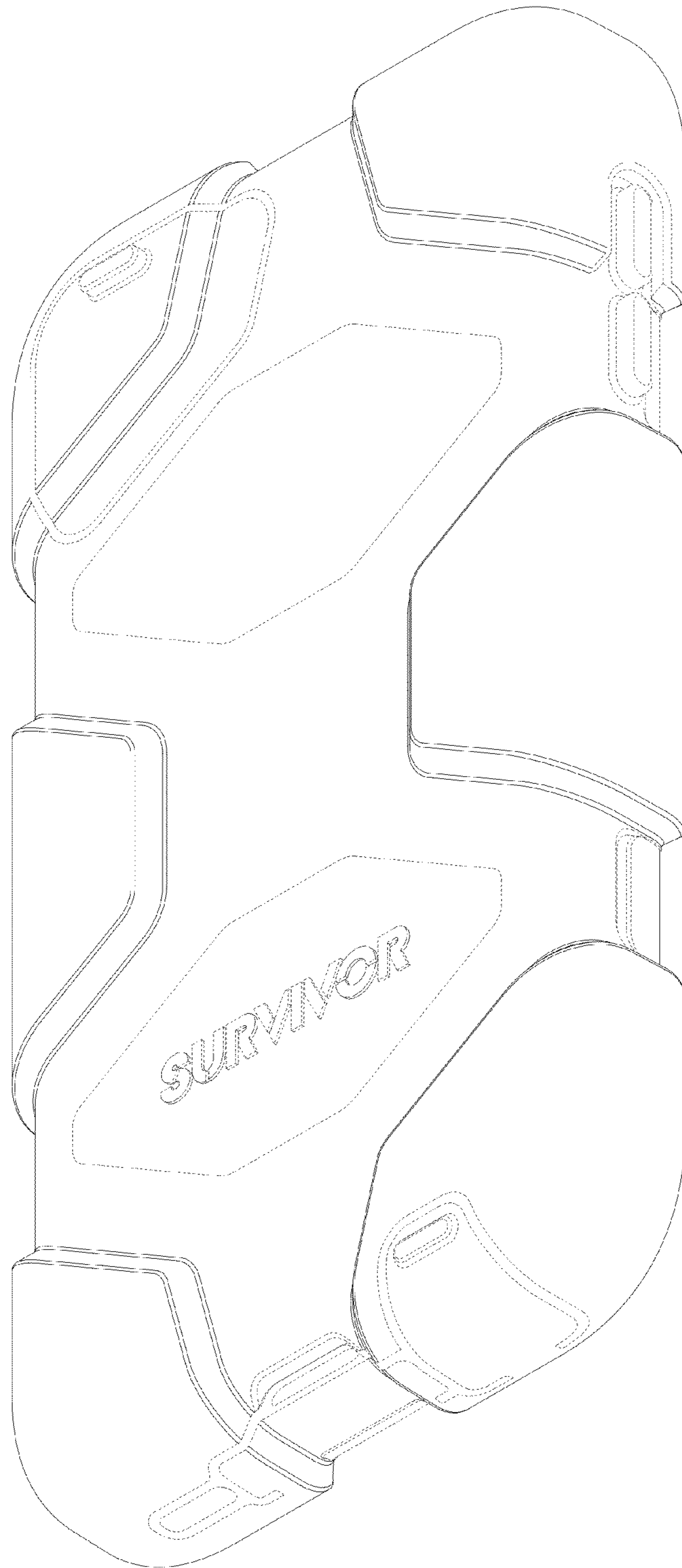


FIG. 1

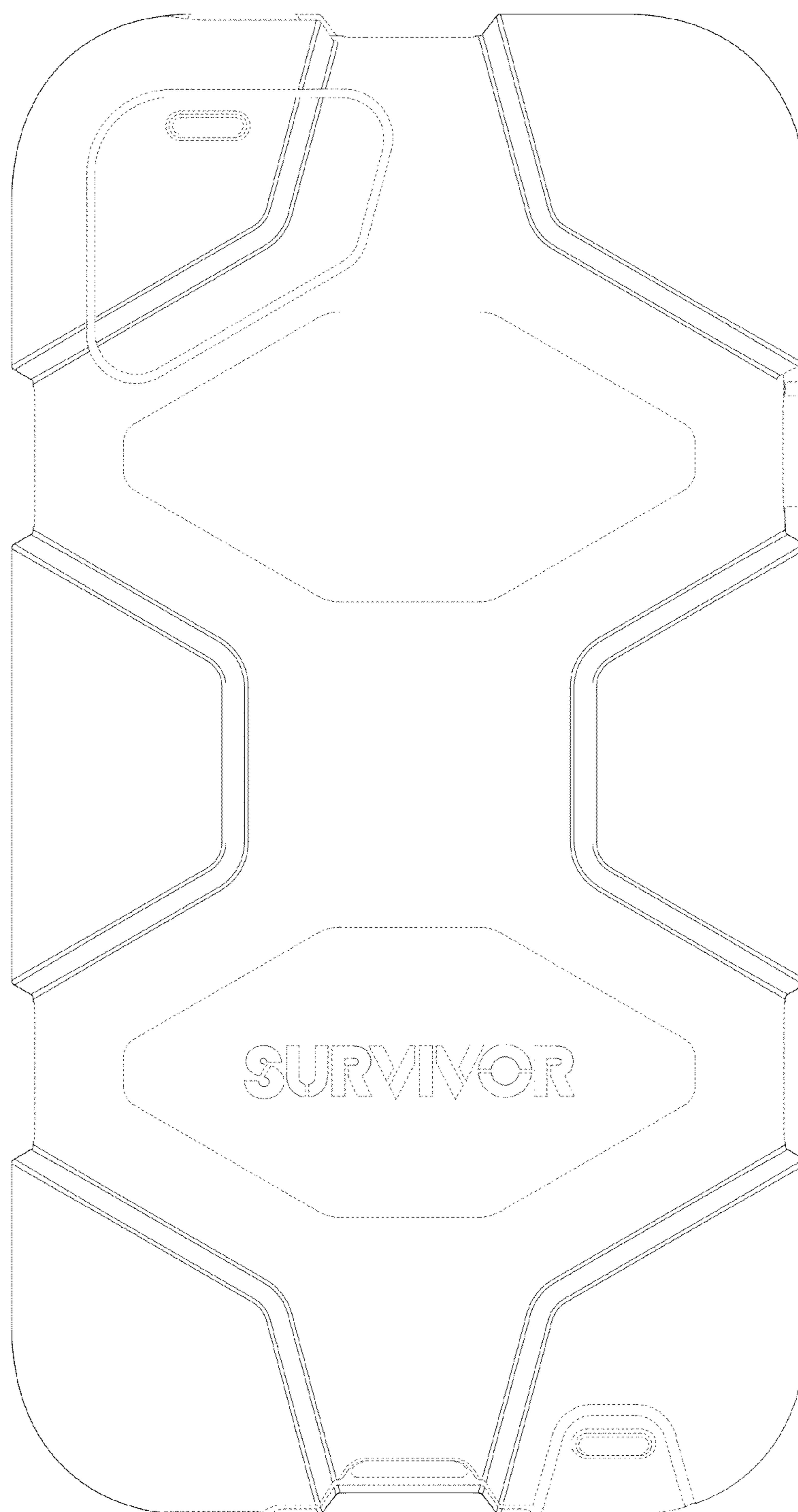


FIG. 2

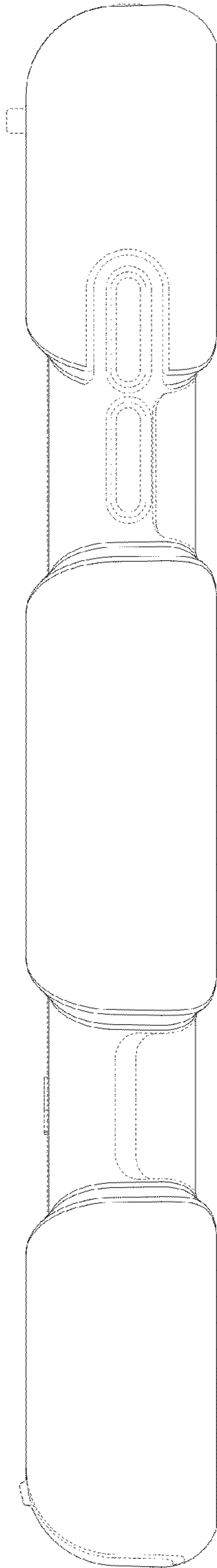


FIG. 3

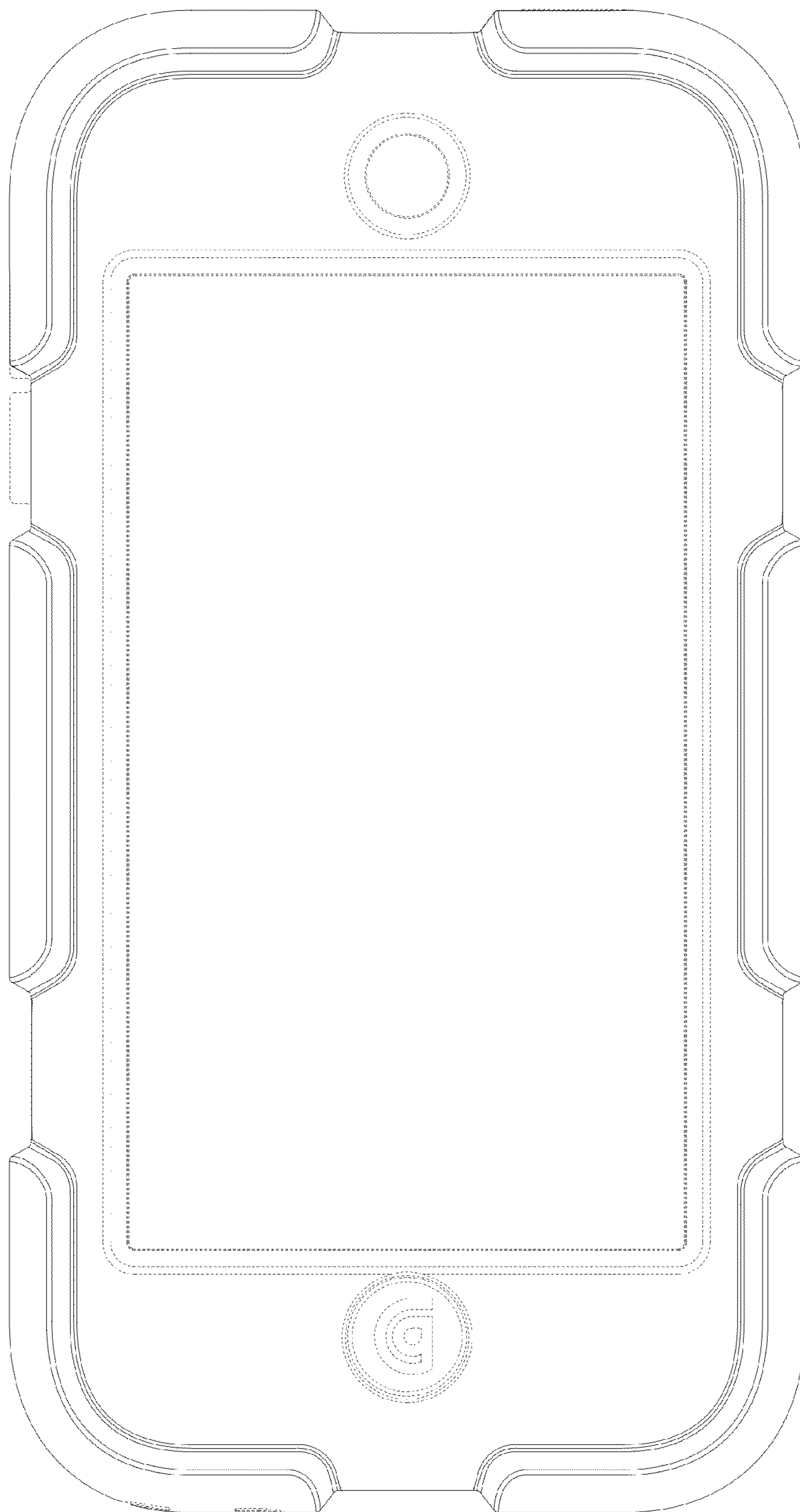


FIG. 4

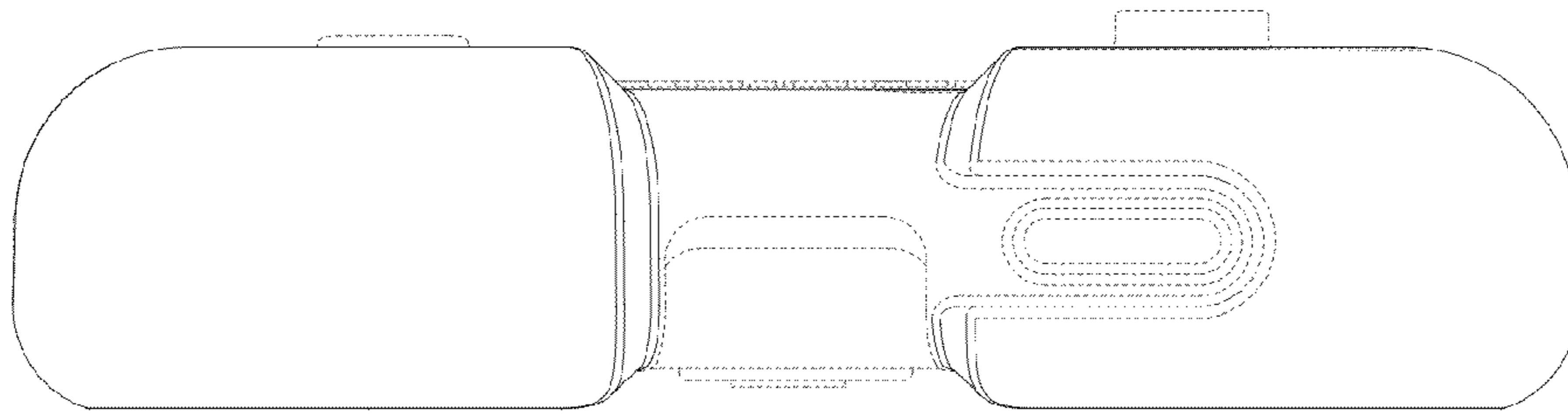


FIG. 5

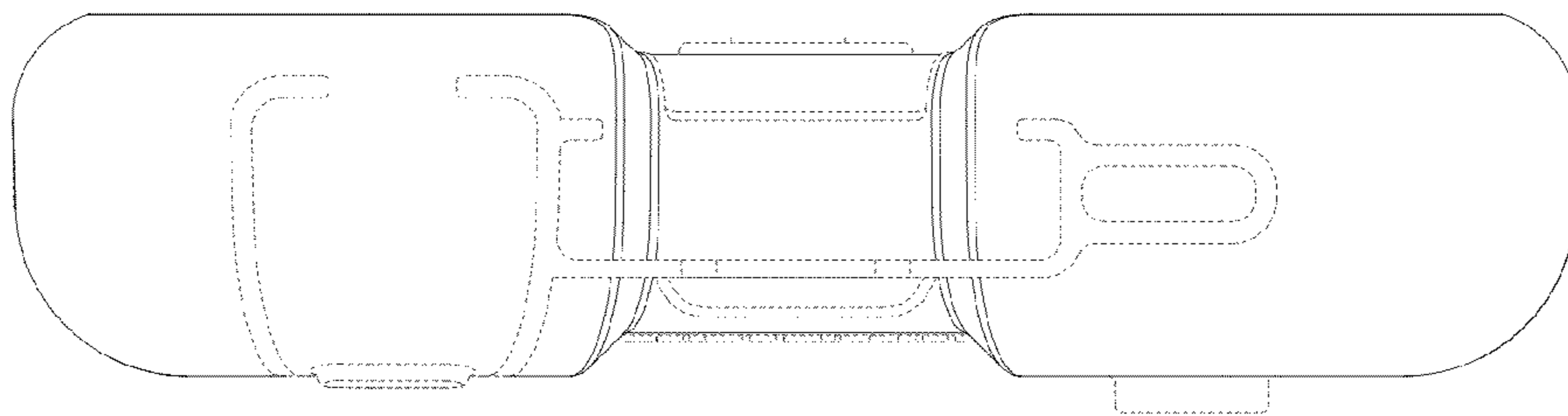


FIG. 6

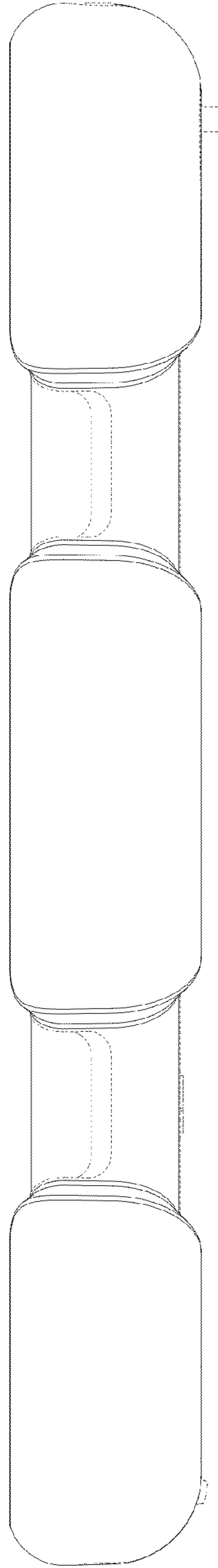


FIG. 7

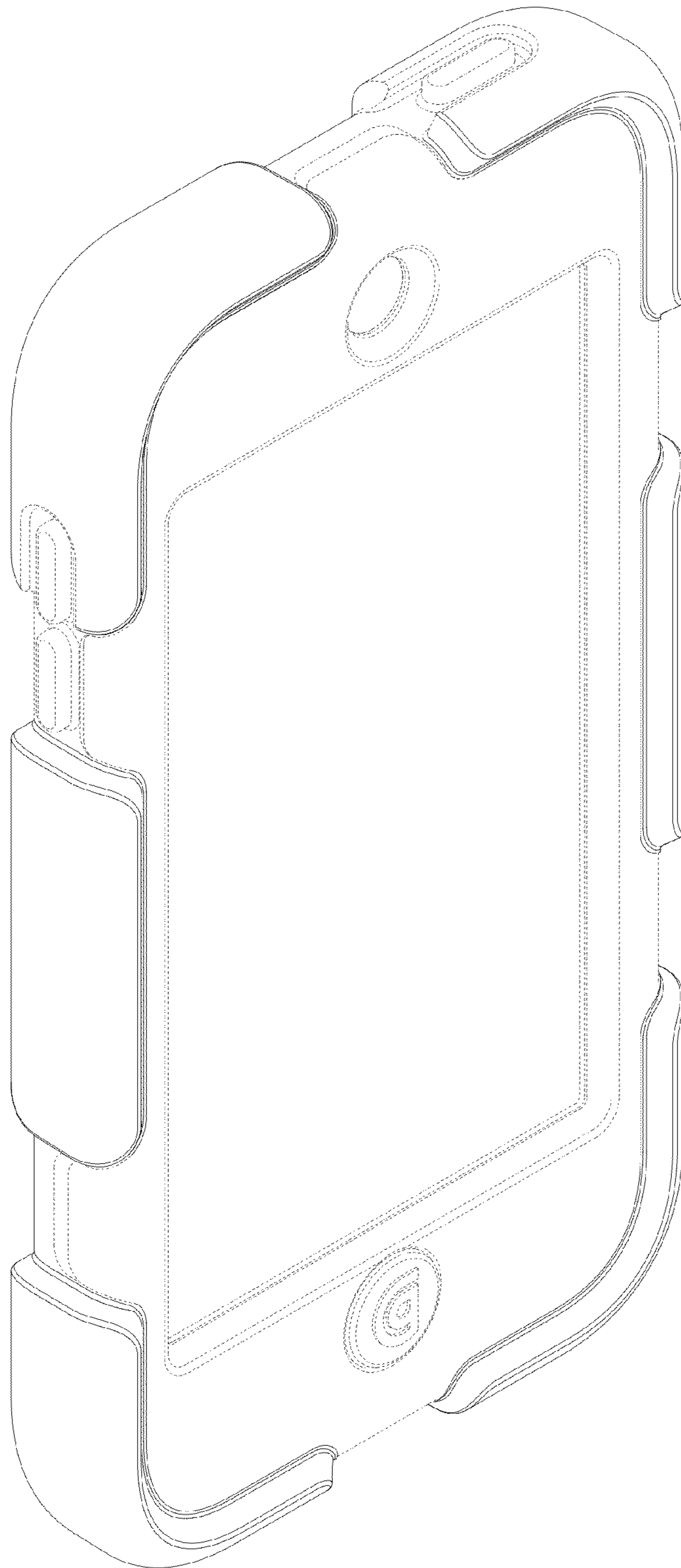


FIG. 8