



US00D711862S

(12) **United States Design Patent**
Fathollahi

(10) **Patent No.:** **US D711,862 S**

(45) **Date of Patent:** **** Aug. 26, 2014**

(54) **CAMERA HOLE INSERT FOR A PHONE CASE**

(75) Inventor: **Andy Fathollahi**, Corona Del Mar, CA (US)

(73) Assignee: **Incipio Technologies, Inc.**, Irvine, CA (US)

(**) Term: **14 Years**

(21) Appl. No.: **29/429,550**

(22) Filed: **Aug. 13, 2012**

Related U.S. Application Data

(63) Continuation of application No. 29/365,705, filed on Jul. 13, 2010, now Pat. No. Des. 665,386.

(51) **LOC (10) Cl.** **14-03**

(52) **U.S. Cl.**
USPC **D14/250**

(58) **Field of Classification Search**
USPC D3/201, 215, 218, 269, 273, 294;
D14/140, 142, 203.3, 217, 218, 240,
D14/242, 250-253, 299, 358, 440, 450;
D13/103, 107, 108.119; 220/4.02;
224/119, 191, 240, 241, 245, 682, 683;
248/309.1, 56; 361/679.3, 679.56;
379/454, 455; 455/575.1, 575.6, 575.7,
455/575.8, 575.9; 190/100; 206/305, 320;
359/819, 822, 702, 511, 513; 396/29,
396/448, 25; 348/373; D8/356

See application file for complete search history.

(56) **References Cited**

U.S. PATENT DOCUMENTS

3,197,556 A 7/1965 Simon
D296,761 S * 7/1988 Mockett D8/400
5,258,592 A 11/1993 Nishikawa et al.
D360,820 S 8/1995 Haase

D364,084 S 11/1995 Yaich
5,870,799 A * 2/1999 Benda 16/2.1
6,159,409 A * 12/2000 Benda 264/255
D442,064 S 5/2001 Chung
D442,398 S 5/2001 Waisbrod
6,223,390 B1 * 5/2001 LoTufo 16/110.1
D550,144 S * 9/2007 Hord et al. D12/317
D550,545 S 9/2007 Ernst et al.
D563,206 S 3/2008 Bakker et al.
D570,966 S * 6/2008 Gilligan D23/260
7,481,436 B2 * 1/2009 May et al. 277/606
D588,442 S 3/2009 Chong et al.
7,660,053 B2 2/2010 Naitou
7,789,228 B2 9/2010 Zenzai
7,806,723 B2 * 10/2010 Chong et al. 439/571
D632,949 S 2/2011 Rowley
7,949,242 B2 5/2011 Yang et al.
D641,014 S 7/2011 Smith et al.
D642,170 S 7/2011 Johnson et al.
8,008,591 B2 8/2011 Shi et al.
D644,921 S * 9/2011 Hsu et al. D8/399

(Continued)

Primary Examiner — Randall Gholson

(74) *Attorney, Agent, or Firm* — Dickstein Shapiro LLP

(57) **CLAIM**

I claim the ornamental design for a camera hole insert for a phone case, as shown and described.

DESCRIPTION

FIG. 1 is a top view of a camera hole insert for a phone case showing our new design;

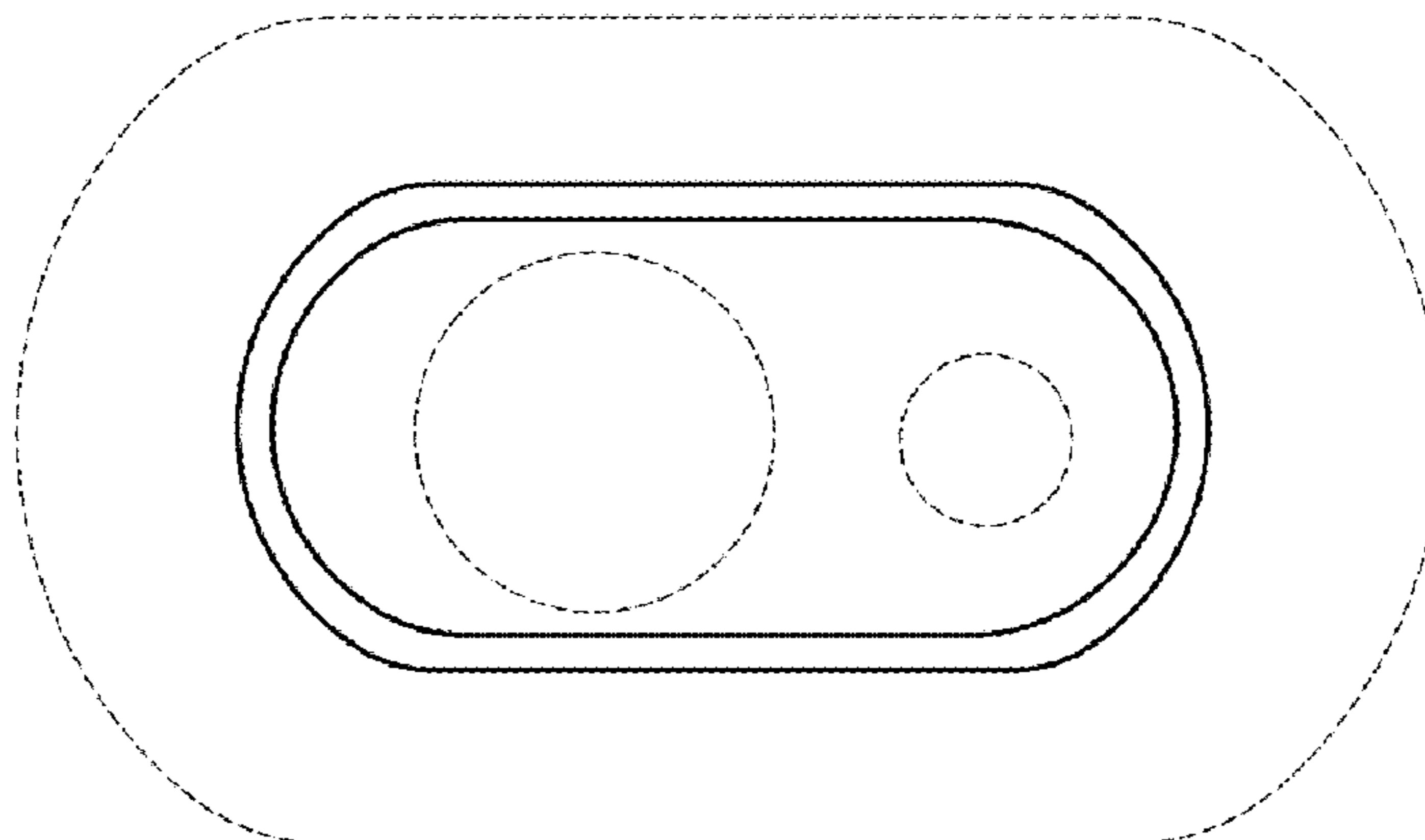
FIG. 2 is a bottom view of the camera hole insert for a phone case;

FIG. 3 is a side view of the camera hole insert for a phone case; and,

FIG. 4 is a top perspective view of the camera hole insert for a phone case.

The broken lines in FIGS. 1-4 having a dash-dash configuration depict environmental subject matter and form no part of the claimed design.

1 Claim, 1 Drawing Sheet



(56)

References Cited

U.S. PATENT DOCUMENTS

D647,519 S 10/2011 Rothbaum et al.
D654,068 S 2/2012 Monaco et al.

D654,489 S 2/2012 Weller et al.
D665,386 S 8/2012 Fathollahi
D666,231 S * 8/2012 Schneider D16/130
2006/0098966 A1 5/2006 Takahashi et al.

* cited by examiner

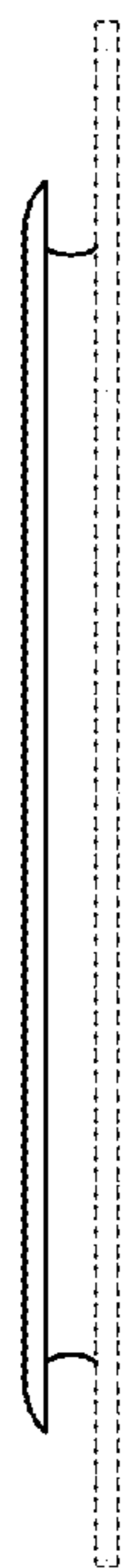


FIG. 3

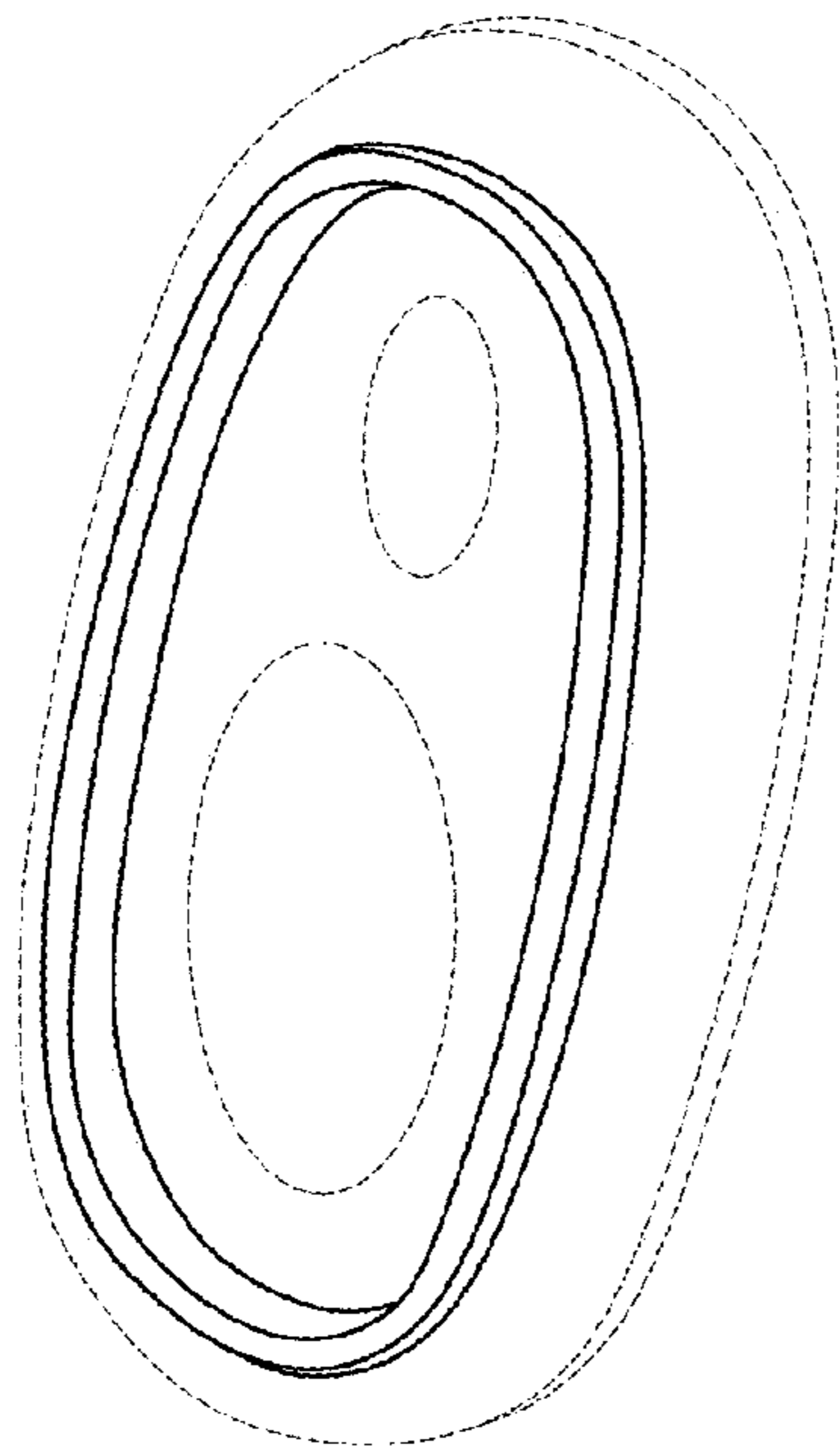


FIG. 4

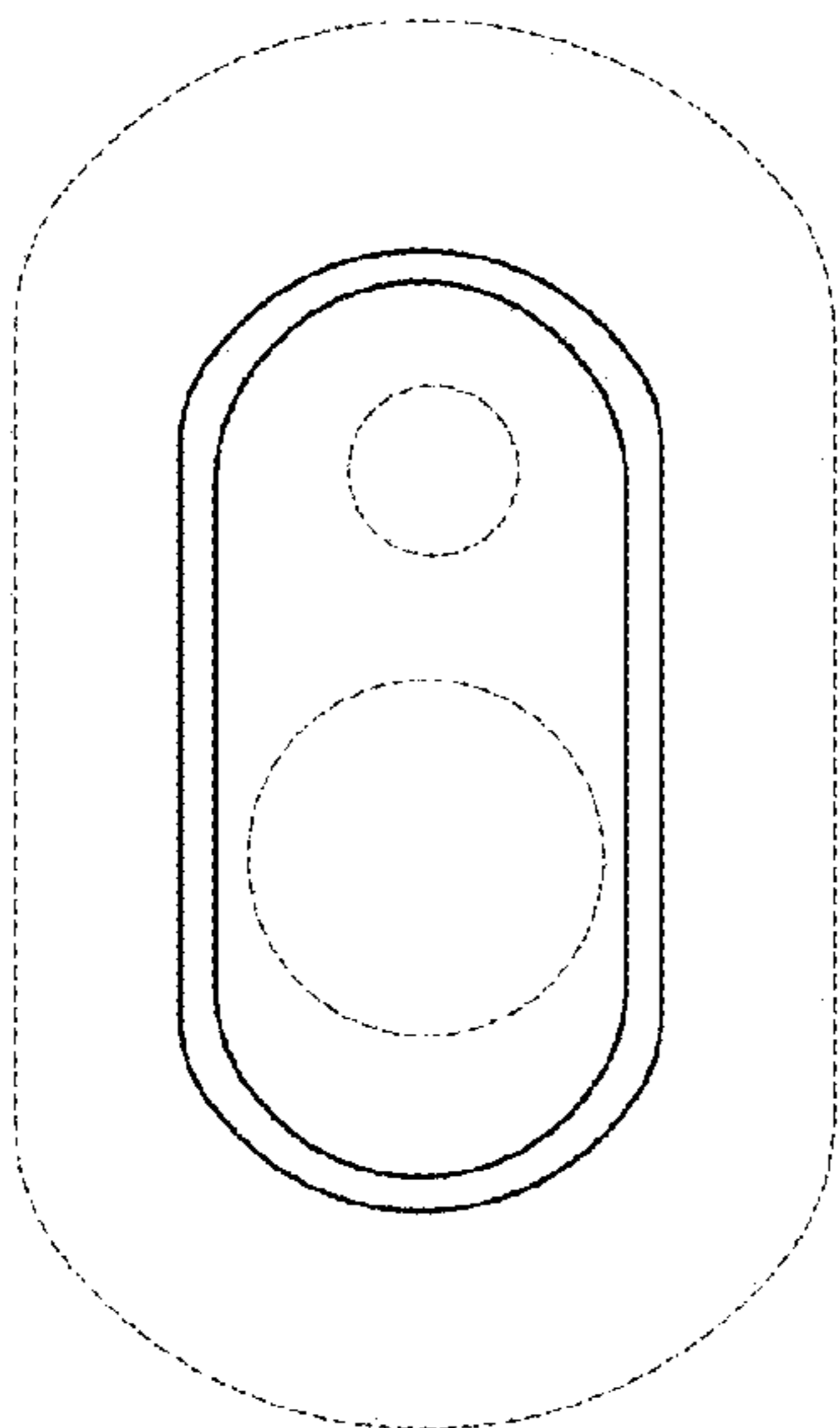


FIG. 1

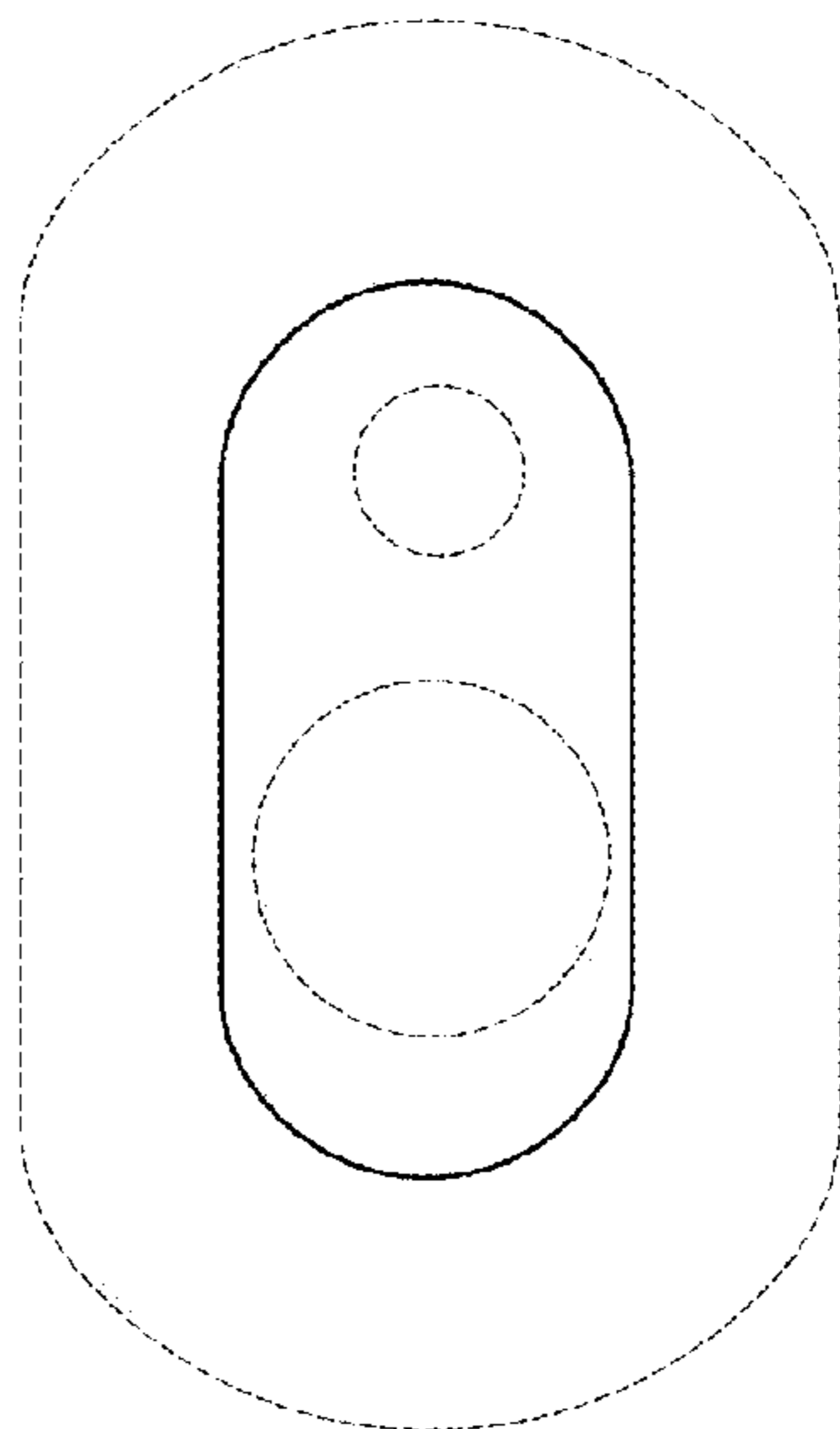


FIG. 2