



US00D711860S

(12) **United States Design Patent**  
**Daniel**

(10) **Patent No.:** **US D711,860 S**  
(45) **Date of Patent:** **\*\* Aug. 26, 2014**

(54) **COVER FOR A COMMUNICATION DEVICE WITH INTEGRAL BIOMETRIC VERIFICATION MEANS**

**DESCRIPTION**

(76) Inventor: **Isaac S. Daniel**, Miramar, FL (US)

(\*\*) Term: **14 Years**

(21) Appl. No.: **29/422,767**

(22) Filed: **May 23, 2012**

(51) **LOC (10) Cl.** ..... **14-03**

(52) **U.S. Cl.**  
USPC ..... **D14/250**

(58) **Field of Classification Search**  
USPC ..... D14/250, 440, 138 G, 138 AD, 138 R, D14/496, 341, 345, 346, 203.1, 203.4, D14/203.7, 248, 383, 384; D21/517, 333; 455/575.1, 556.2, 575.8; 379/433.01, 379/433.04; D13/103, 107, 108, 119; D3/201, 218, 269; 361/679.56, 679.57  
See application file for complete search history.

(56) **References Cited**

**U.S. PATENT DOCUMENTS**

D429,725 S \* 8/2000 Morimiya ..... D14/384  
6,141,436 A \* 10/2000 Srey et al. .... 382/124

(Continued)

**OTHER PUBLICATIONS**

Precise Biometrics' Tactivo is an iPhone/iPad case with fingerprint reader, by: Dusan Belic, IntoMobile, posted Thursday, May 31, 2012, p. 1 (1 of 5) only, [online], [site visited Dec. 11, 2013]. Available from Internet, <URL: <http://www.intomobile.com/2012/05/31/precise-biometrics-tactivo-iphoneipad-case-fingerprint-reader/>>.\*

(Continued)

*Primary Examiner* — Jeffrey D Asch

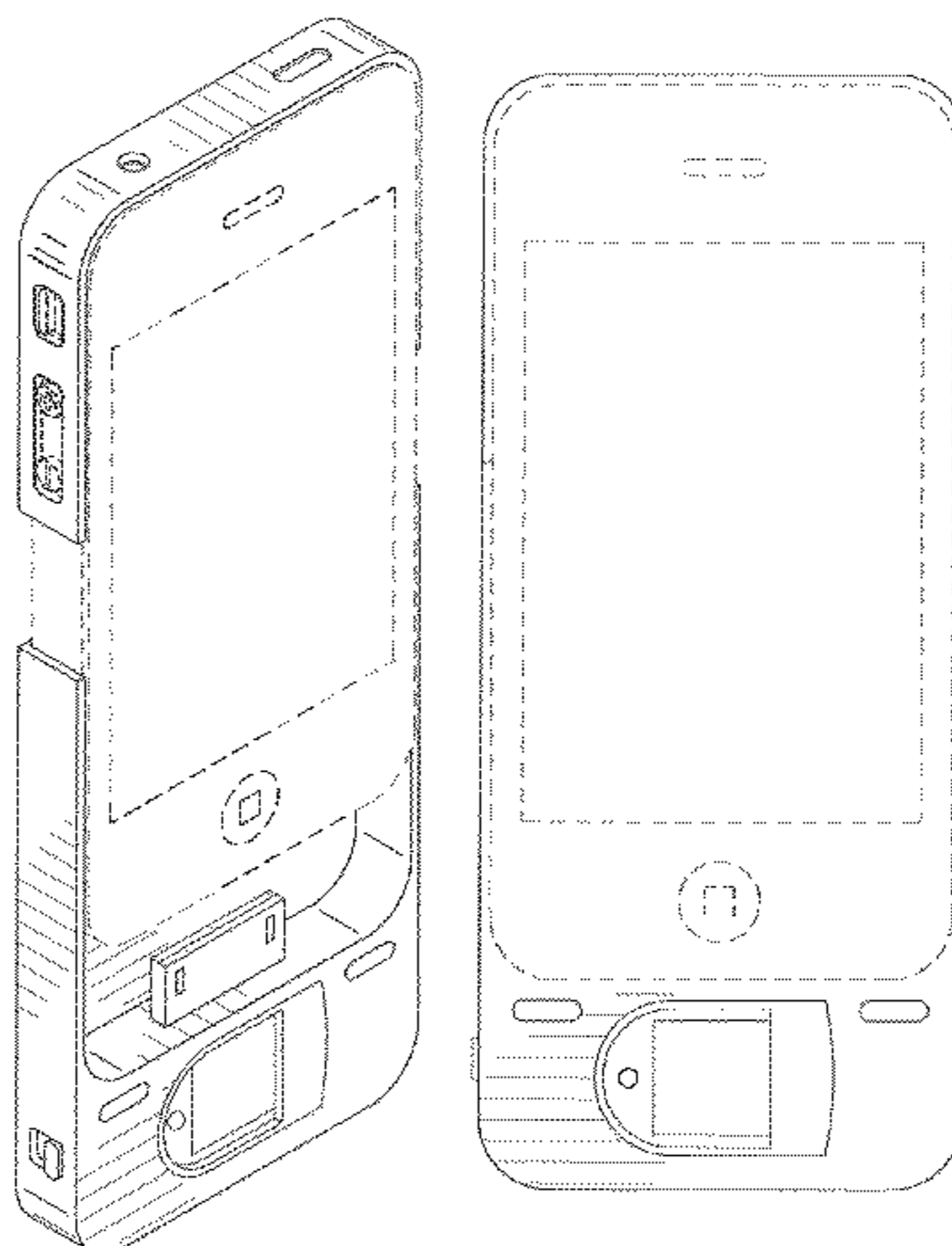
(74) *Attorney, Agent, or Firm* — Carol N. Green, Esq.

(57) **CLAIM**

The ornamental design for cover for a communication device with integral biometric verifications means, as shown and described.

FIG. 1 is a front perspective view of the invention with the slideable cover in the closed position.  
FIG. 2 is a front perspective view of the invention with the slideable cover in the open position.  
FIG. 3 is a rear perspective view of the invention with the slideable cover in the closed position.  
FIG. 4 is a rear perspective view of the invention with the slideable cover in the open position.  
FIG. 5 is a top front perspective view of the invention with the slideable cover in the closed position.  
FIG. 6 is a top front perspective view of the invention with the slideable cover in the open position.  
FIG. 7 is a top front perspective view of the invention with the slideable cover in the closed position.  
FIG. 8 is a top front perspective view of the invention with the slideable cover in the open position.  
FIG. 9 is a rear perspective view of the invention with the slideable cover in the closed position.  
FIG. 10 is a bottom perspective view of the invention with the slideable cover in the open position.  
FIG. 11 is a right side view of the invention with the slideable cover in the closed position.  
FIG. 12 is a right side view of the invention with the slideable cover in the open position.  
FIG. 13 is a left side view of the invention with the slideable cover in the closed position.  
FIG. 14 is a left side view of the invention with the slideable cover in the open position.  
FIG. 15 is a top view of the invention; and,  
FIG. 16 is a bottom view of the invention.  
The broken line showing of a logo at the bottom rear is superimposed on a continuous claimed surface. The broken lines throughout the drawings that show a communication device are to indicate the environment of the claim, forming no part of the claimed design.

**1 Claim, 7 Drawing Sheets**



(56)

**References Cited**

U.S. PATENT DOCUMENTS

D511,113 S \* 11/2005 Feldman et al. .... D10/104.1  
 7,110,574 B2 \* 9/2006 Haruki et al. .... 382/115  
 D569,607 S \* 5/2008 Calco et al. .... D3/201  
 D601,955 S \* 10/2009 Ekmekdje ..... D13/108  
 7,612,997 B1 \* 11/2009 Diebel et al. .... 361/679.56  
 D616,361 S \* 5/2010 Huang ..... D13/103  
 D636,986 S \* 5/2011 Idsoe ..... D3/208  
 D644,168 S \* 8/2011 Bishay et al. .... D13/102  
 D647,519 S \* 10/2011 Rothbaum et al. .... D14/250  
 D653,202 S \* 1/2012 Hasbrook et al. .... D13/103  
 D658,166 S \* 4/2012 Bau ..... D14/250  
 D662,923 S \* 7/2012 Piedra et al. .... D14/250  
 D663,263 S \* 7/2012 Gupta et al. .... D13/103  
 D665,735 S \* 8/2012 Kang et al. .... D13/108  
 D670,281 S \* 11/2012 Corpuz et al. .... D14/250  
 D670,689 S \* 11/2012 Wang ..... D14/250  
 D671,107 S \* 11/2012 Rothbaum et al. .... D14/250  
 D674,394 S \* 1/2013 Kajimoto ..... D14/440  
 D676,432 S \* 2/2013 Hasbrook et al. .... D14/250  
 D677,249 S \* 3/2013 Li et al. .... D14/250

D677,251 S \* 3/2013 Melanson et al. .... D14/250  
 8,452,354 B2 \* 5/2013 Jang et al. .... 455/575.4  
 8,457,701 B2 \* 6/2013 Diebel ..... 455/575.8  
 D690,678 S \* 10/2013 Daniel ..... D14/138 G  
 8,565,843 B1 \* 10/2013 Lugo ..... 455/575.4  
 D693,874 S \* 11/2013 Daniel ..... D19/10  
 2006/0213982 A1 \* 9/2006 Cannon et al. .... 235/380  
 2010/0078343 A1 \* 4/2010 Hoellwarth et al. .... 206/320  
 2012/0013295 A1 \* 1/2012 Yeh ..... 320/108  
 2012/0088558 A1 \* 4/2012 Song ..... 455/575.1  
 2012/0320503 A1 \* 12/2012 Yturralde et al. .... 361/679.01  
 2013/0120913 A1 \* 5/2013 Petersson et al. .... 361/679.01  
 2013/0273983 A1 \* 10/2013 Hsu ..... 455/575.1

OTHER PUBLICATIONS

Geode and iPhone plan to replace your wallet (Video), by Jason D. O'Grady for The Apple Core, posted Mar. 15, 2012, pp. 2-6 only, [online], [site visited Dec. 11, 2013]. Available from Internet, <URL: <http://www.zdnet.com/blog/apple/geode-and-iphone-plan-to-replace-your-wallet-video/12532>>.\*

\* cited by examiner

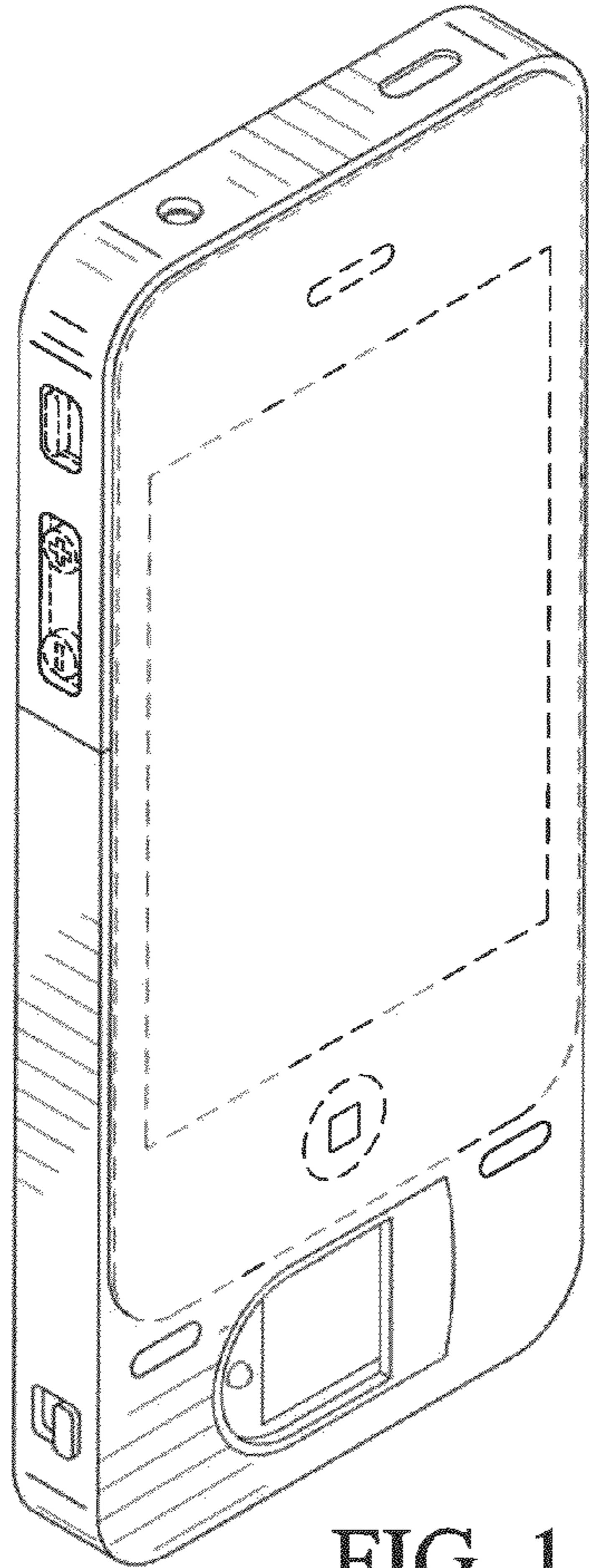


FIG. 1

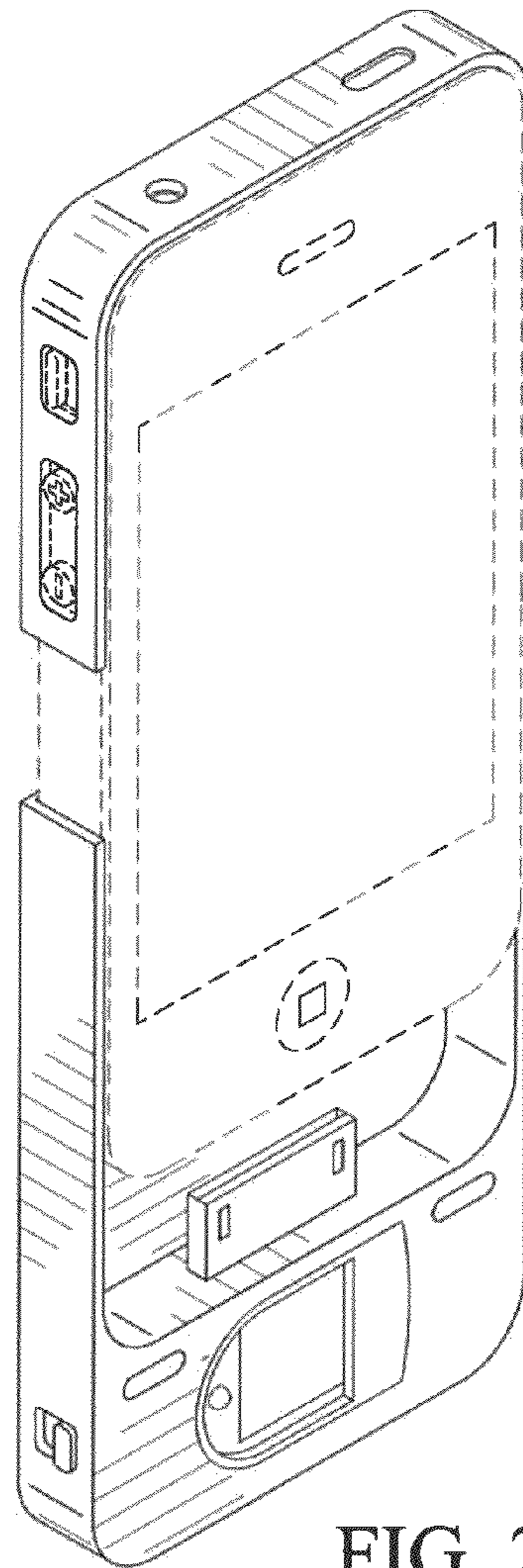


FIG. 2

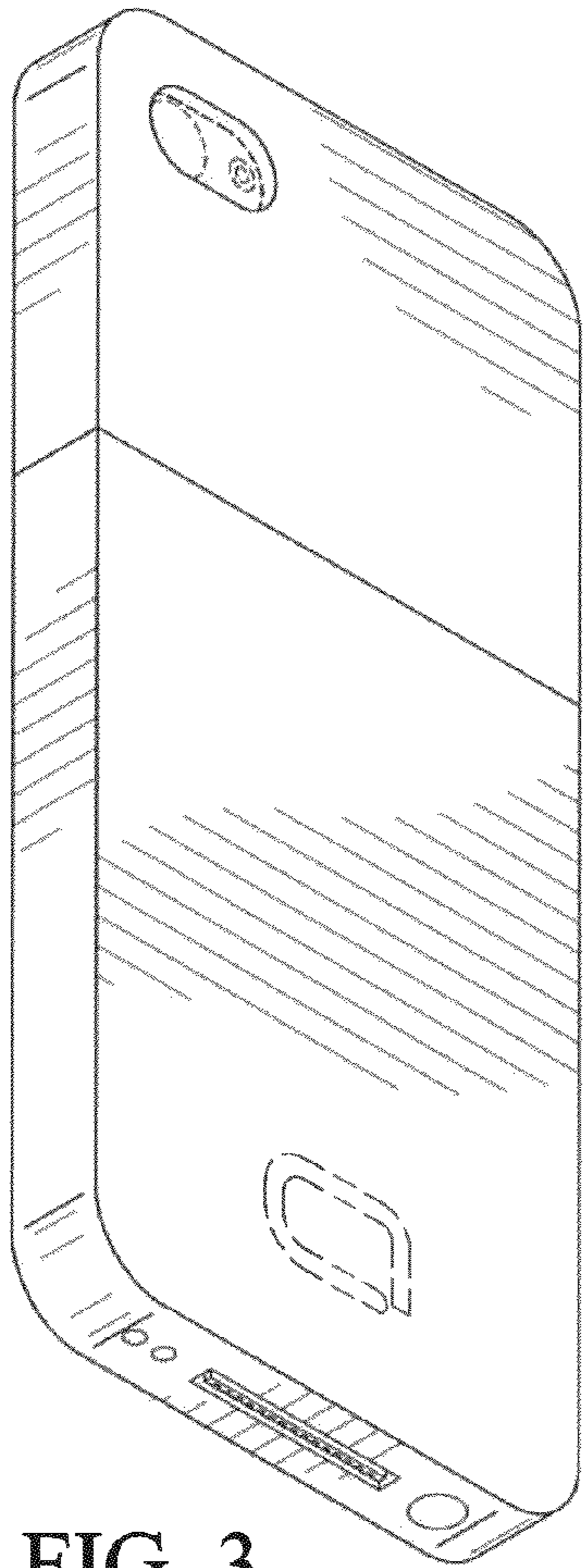


FIG. 3

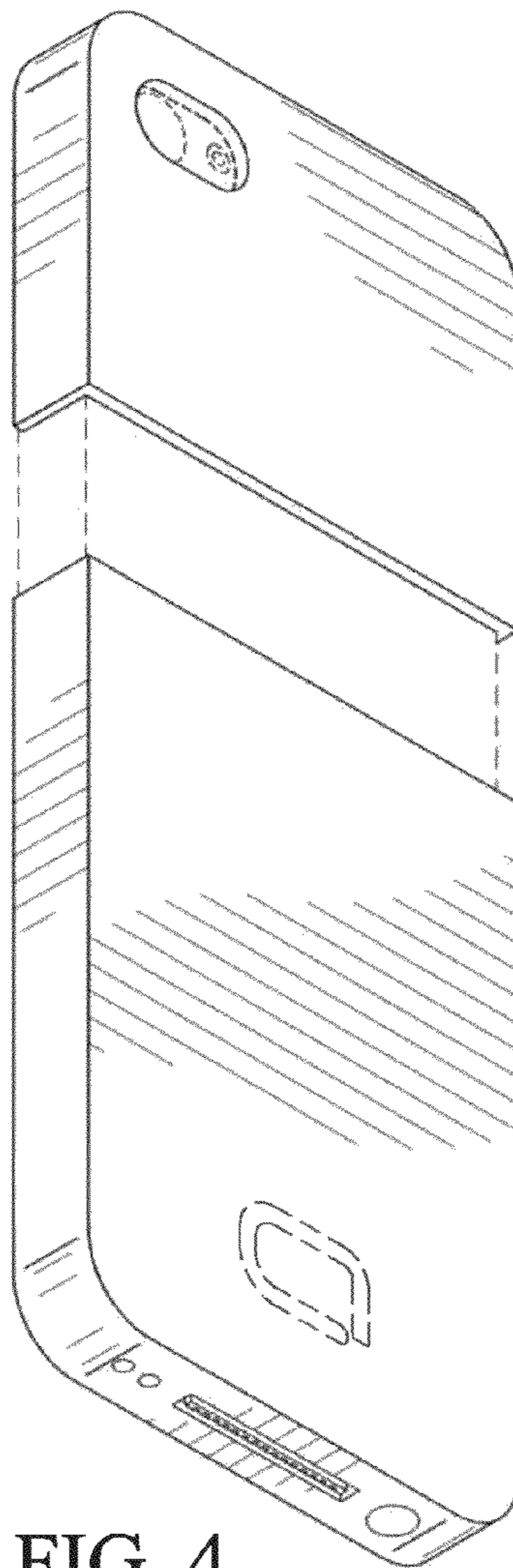


FIG. 4

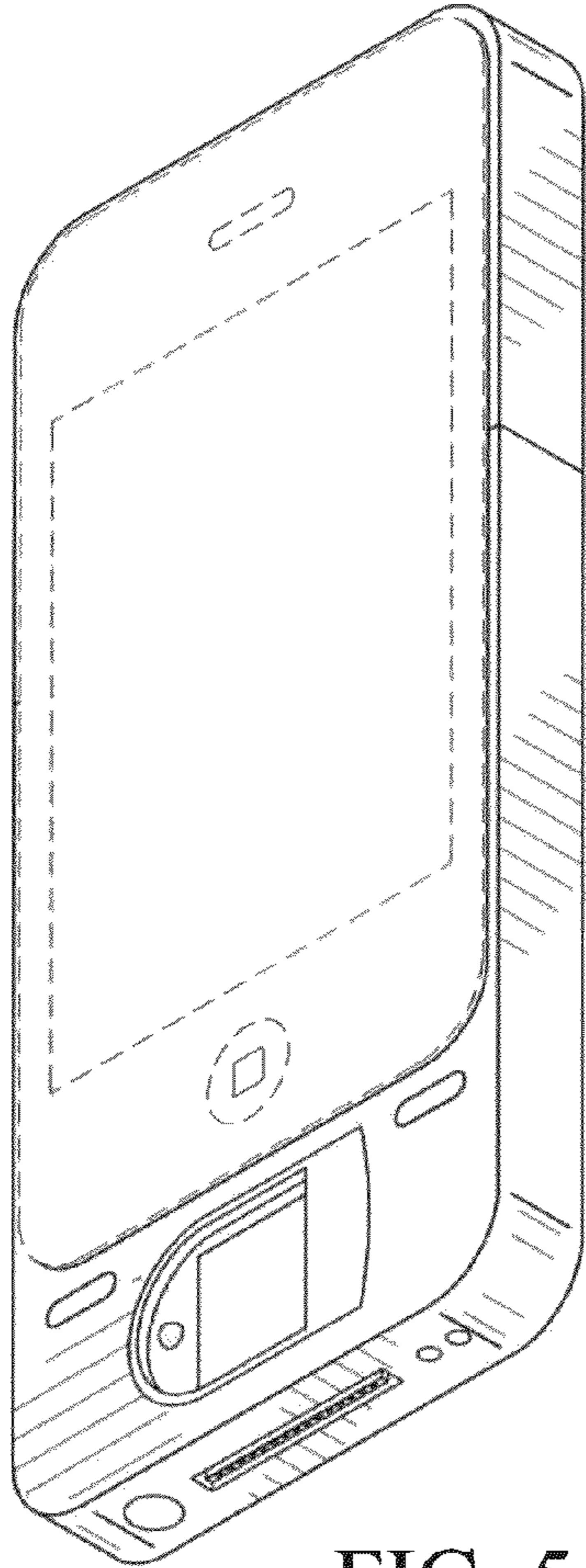


FIG. 5

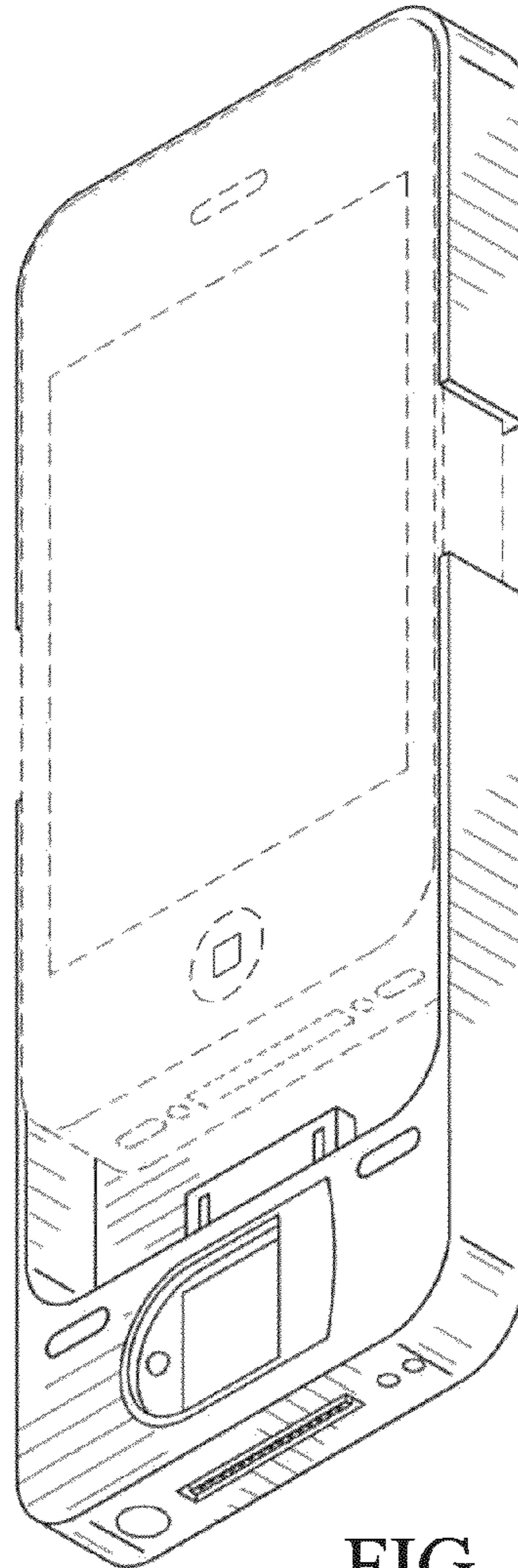


FIG. 6

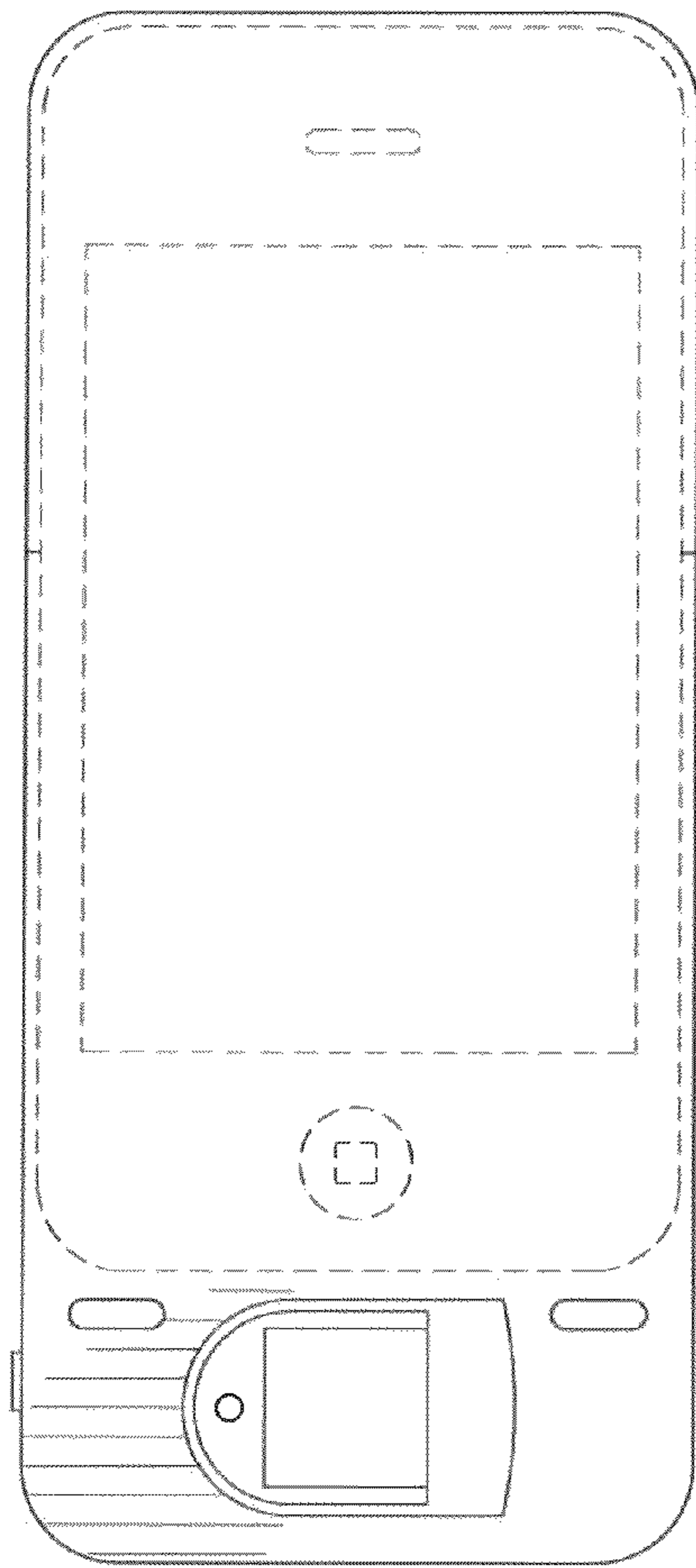


FIG. 7

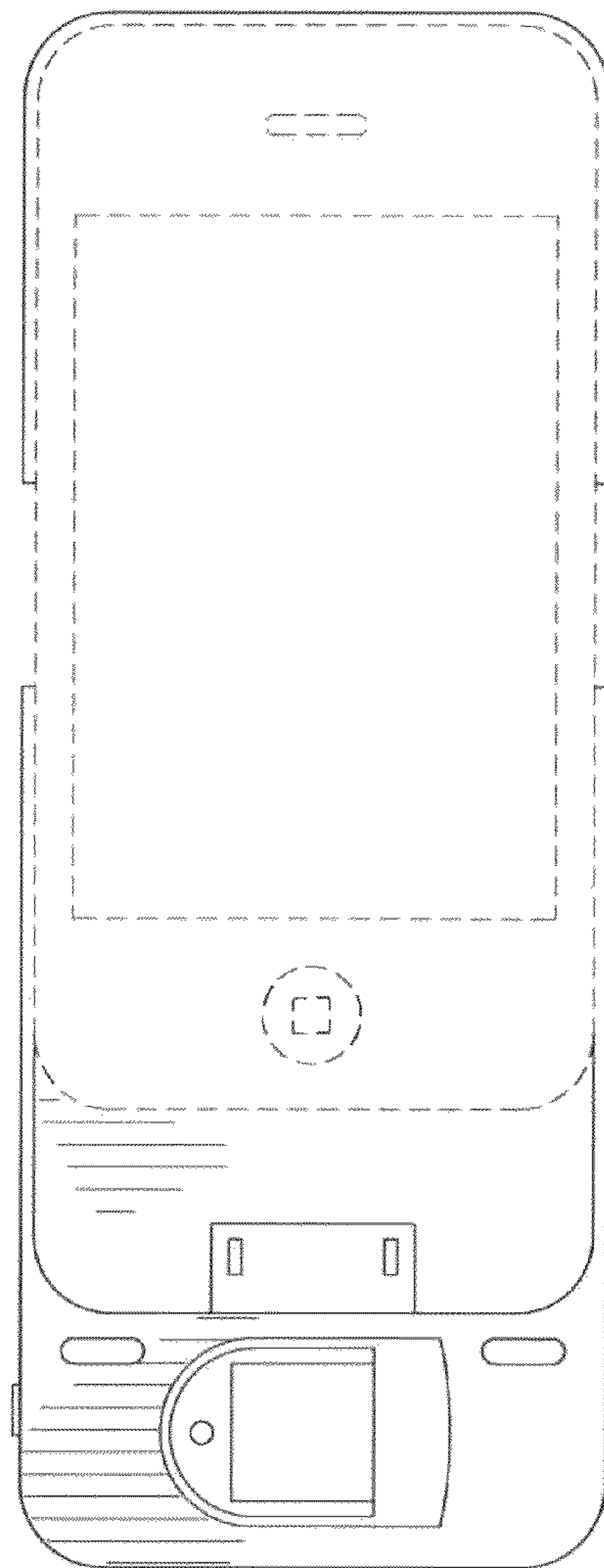


FIG. 8

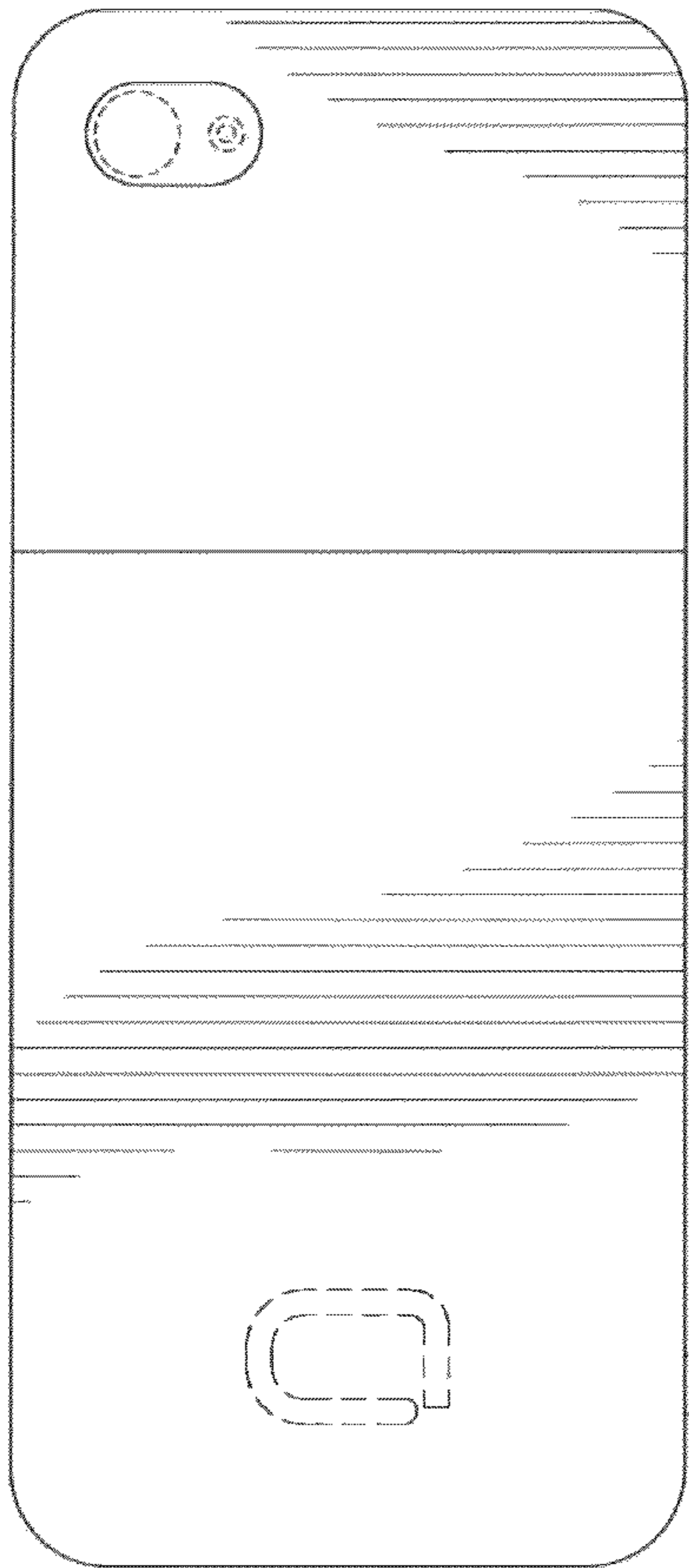


FIG. 9

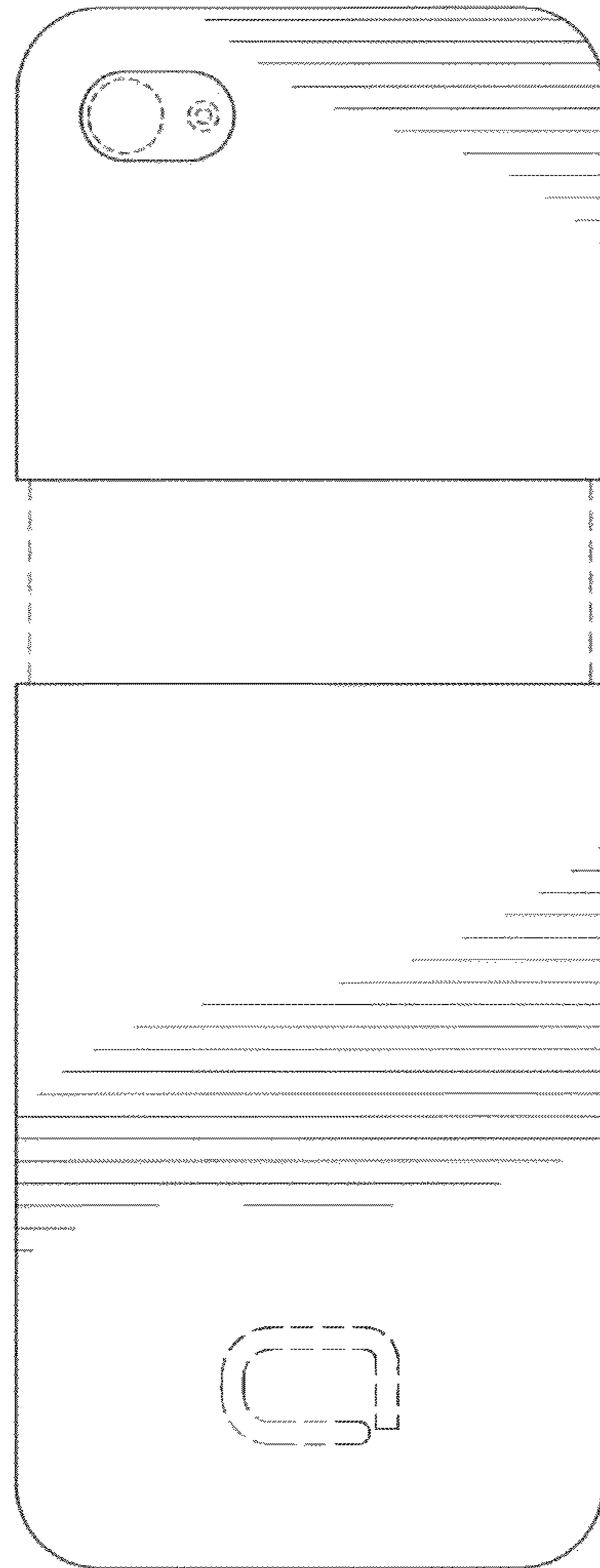


FIG. 10

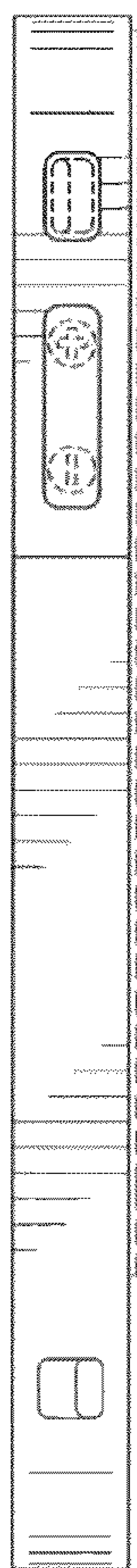


FIG. 11



FIG. 12



FIG. 13



FIG. 14





FIG. 15

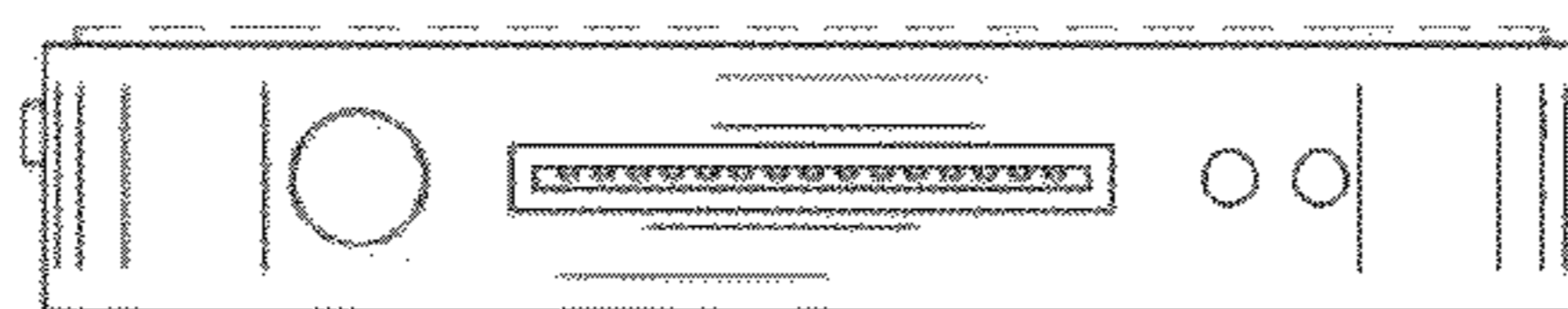


FIG. 16