

US00D711858S

(12) **United States Design Patent**
Yang

(10) **Patent No.:** **US D711,858 S**
(45) **Date of Patent:** **** Aug. 26, 2014**

(54) **EARPHONE**

(71) Applicant: **Bill Yang**, Taipei (TW)

(72) Inventor: **Bill Yang**, Taipei (TW)

(73) Assignee: **Cotron Corporation**, Taipei (TW)

(**) Term: **14 Years**

(21) Appl. No.: **29/465,858**

(22) Filed: **Sep. 2, 2013**

(51) **LOC (10) Cl.** **14-01**

(52) **U.S. Cl.**
USPC **D14/223**

(58) **Field of Classification Search**
CPC H04R 1/1016
USPC D14/205, 223; 181/129, 130, 135;
379/430, 431; 381/380, 381; 455/90.3,
455/575.1

See application file for complete search history.

(56) **References Cited**

U.S. PATENT DOCUMENTS

2,430,229	A	*	11/1947	Kelsey	381/338
5,410,608	A	*	4/1995	Lucey et al.	381/360
D457,514	S	*	5/2002	Marion et al.	D14/223
D531,169	S	*	10/2006	Tokioka et al.	D14/223
D566,099	S	*	4/2008	Komiyama	D14/206
D576,154	S	*	9/2008	Ledbetter et al.	D14/223
D594,441	S	*	6/2009	Lee et al.	D14/205
D598,894	S	*	8/2009	Masuda et al.	D14/205
D599,781	S	*	9/2009	Lee et al.	D14/205

D637,181	S	*	5/2011	Fuller et al.	D14/223
D642,163	S	*	7/2011	Lee et al.	D14/223
D673,531	S	*	1/2013	Lee et al.	D14/223
D674,376	S	*	1/2013	Kelly et al.	D14/223
D676,026	S	*	2/2013	Lee et al.	D14/223
D680,102	S	*	4/2013	Chen	D14/223
D683,333	S	*	5/2013	Lee et al.	D14/223
8,447,061	B2	*	5/2013	Lee	381/380
D697,058	S	*	1/2014	Thompson et al.	D14/223
D698,761	S	*	2/2014	Bao	D14/223
D700,905	S	*	3/2014	Pavitsich	D14/223
D702,668	S	*	4/2014	Narita et al.	D14/223

* cited by examiner

Primary Examiner — Paula Greene

(74) *Attorney, Agent, or Firm* — Jianq Chyun IP Office

(57) **CLAIM**

The ornamental design for an earphone, as shown and described.

DESCRIPTION

FIG. 1 is a perspective view of an earphone showing my new design;

FIG. 2 is another perspective view thereof;

FIG. 3 is a front view thereof;

FIG. 4 is a rear view thereof;

FIG. 5 is a left side view thereof;

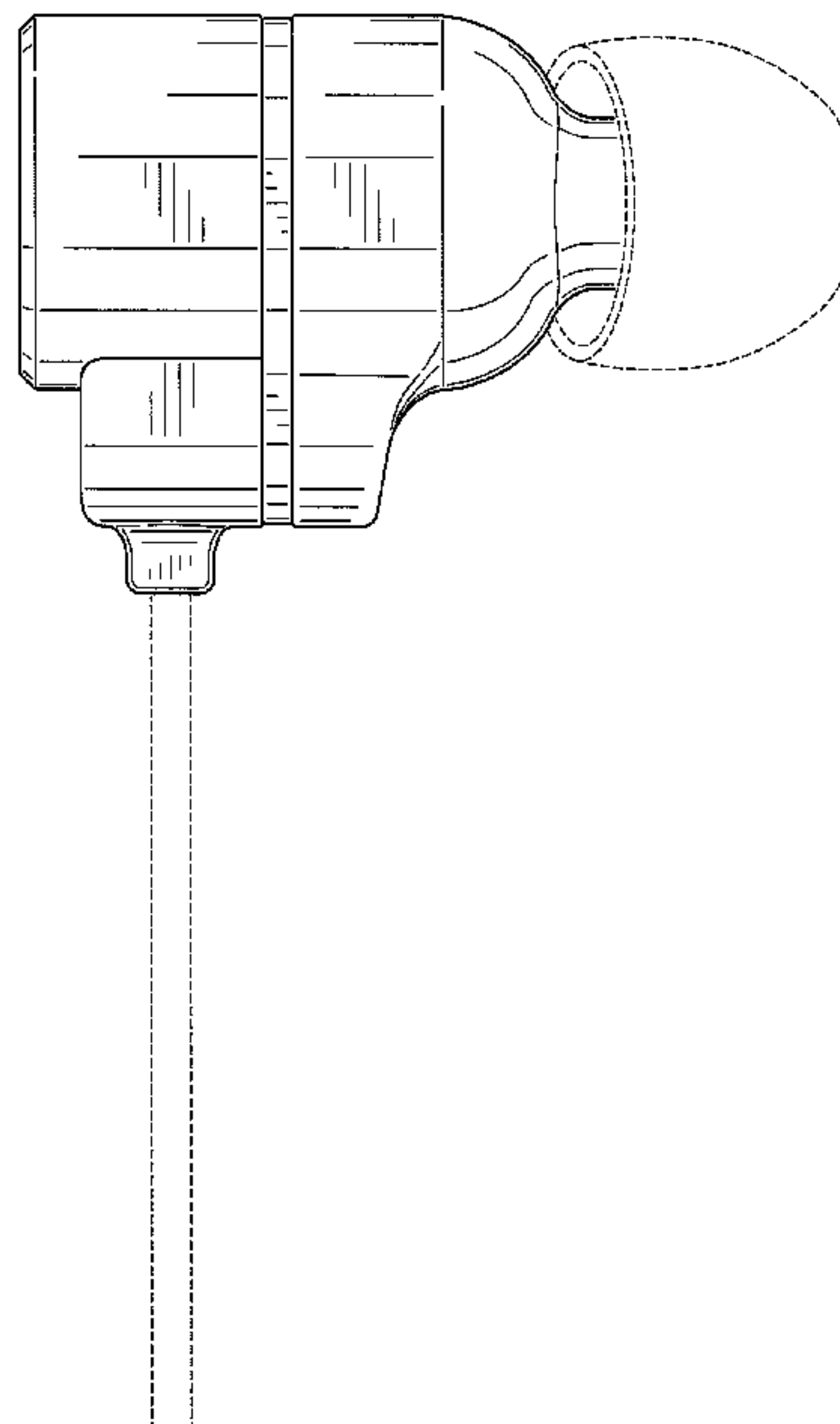
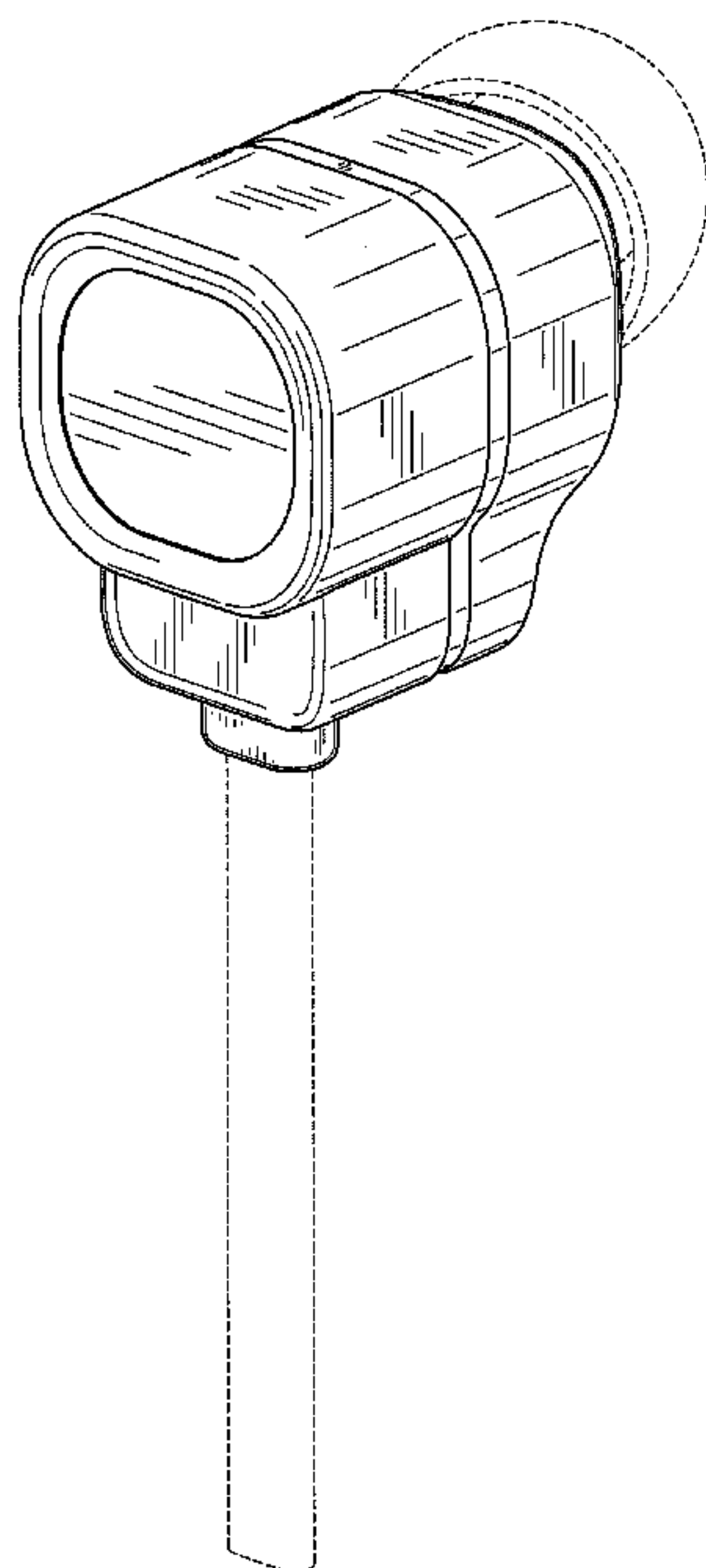
FIG. 6 is a right side view thereof;

FIG. 7 is a top view thereof; and,

FIG. 8 is a bottom view thereof.

The broken line portions of the earphone in FIGS. 1-8 represent unclaimed portions of the claimed design and form no part thereof.

1 Claim, 8 Drawing Sheets



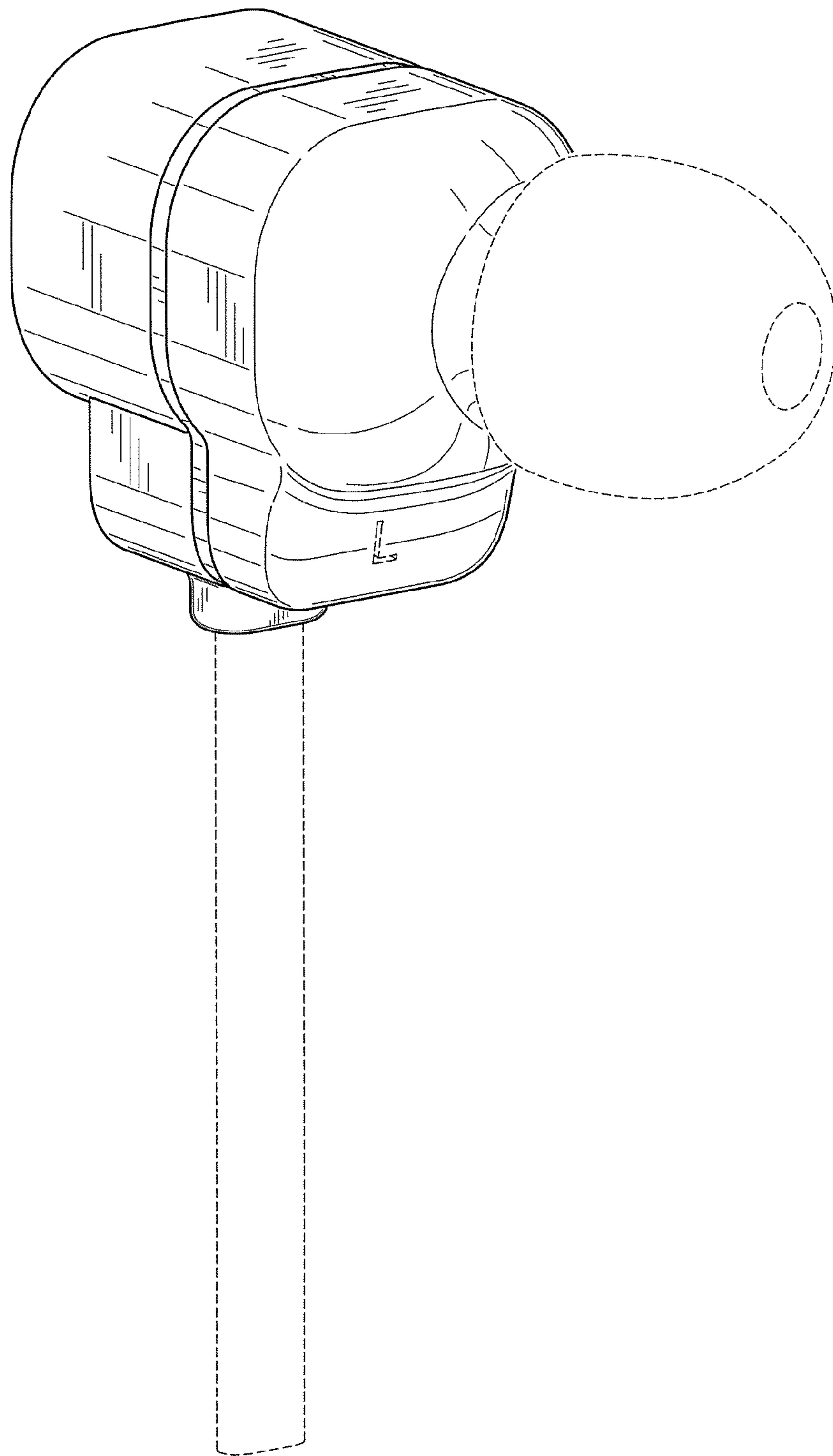


FIG. 1

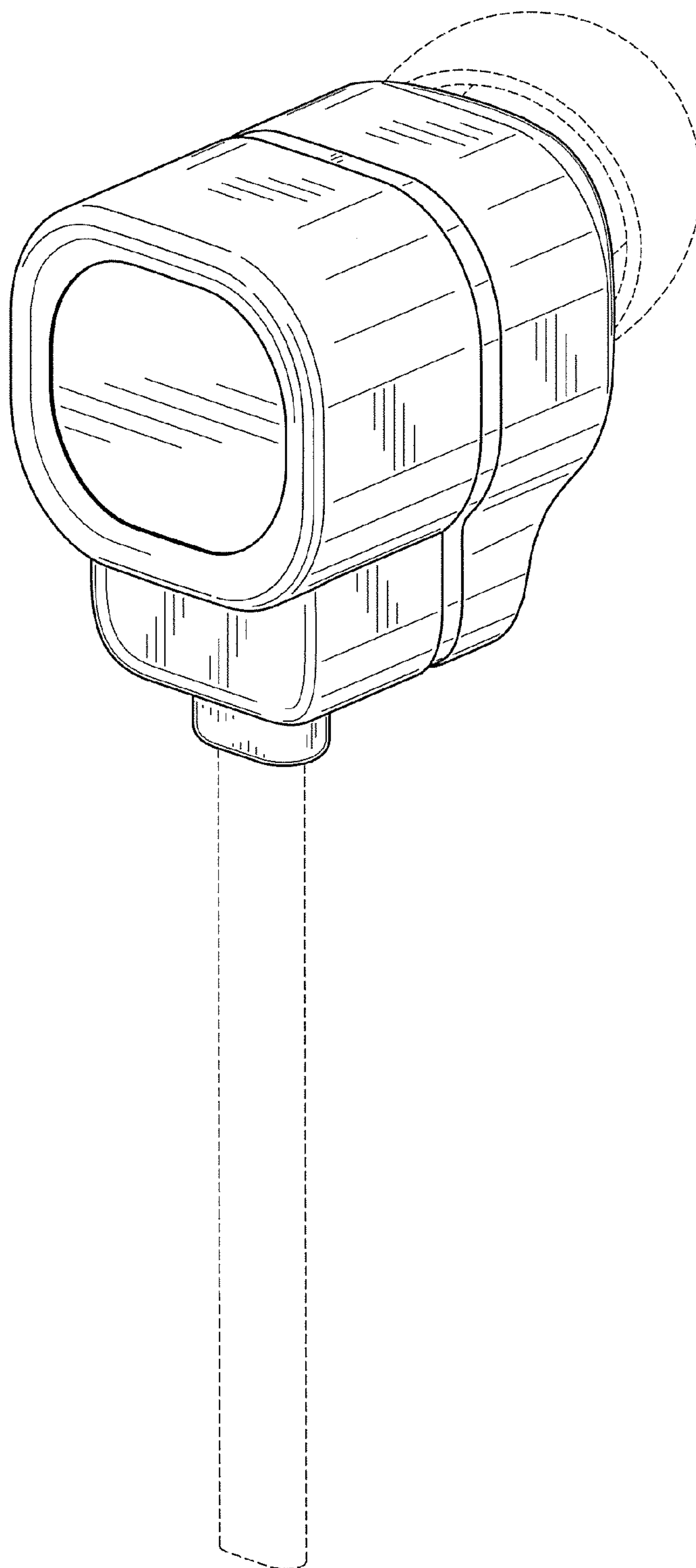


FIG. 2

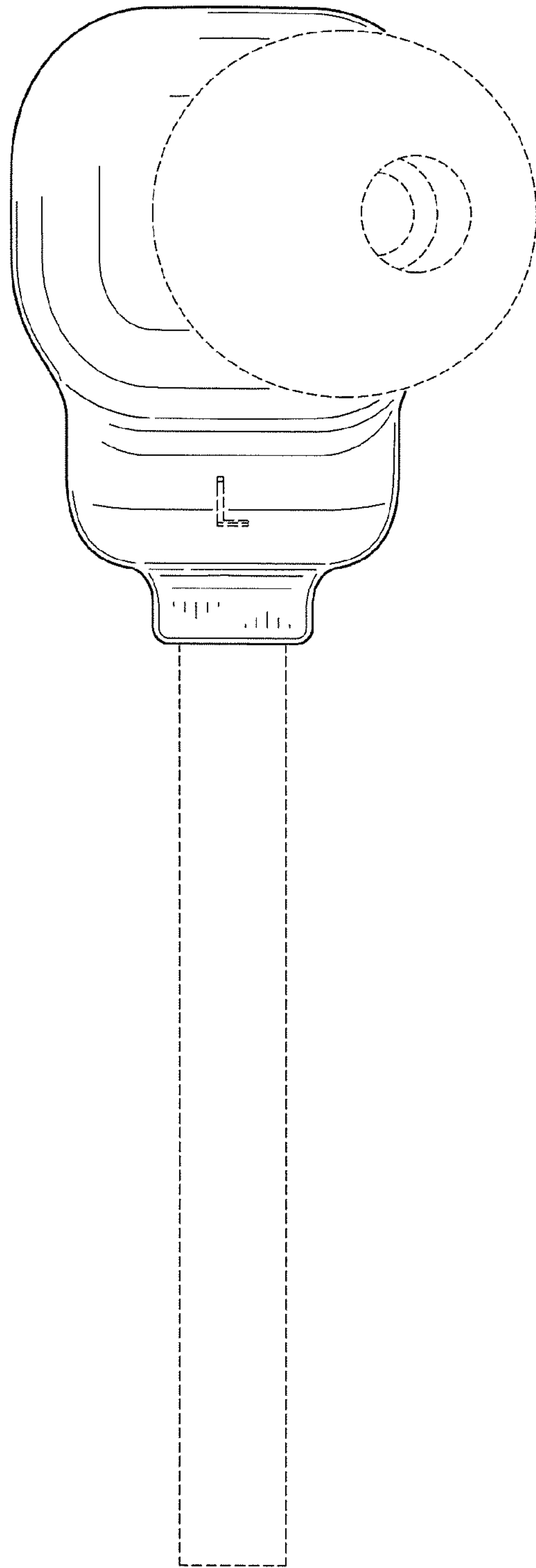


FIG. 3

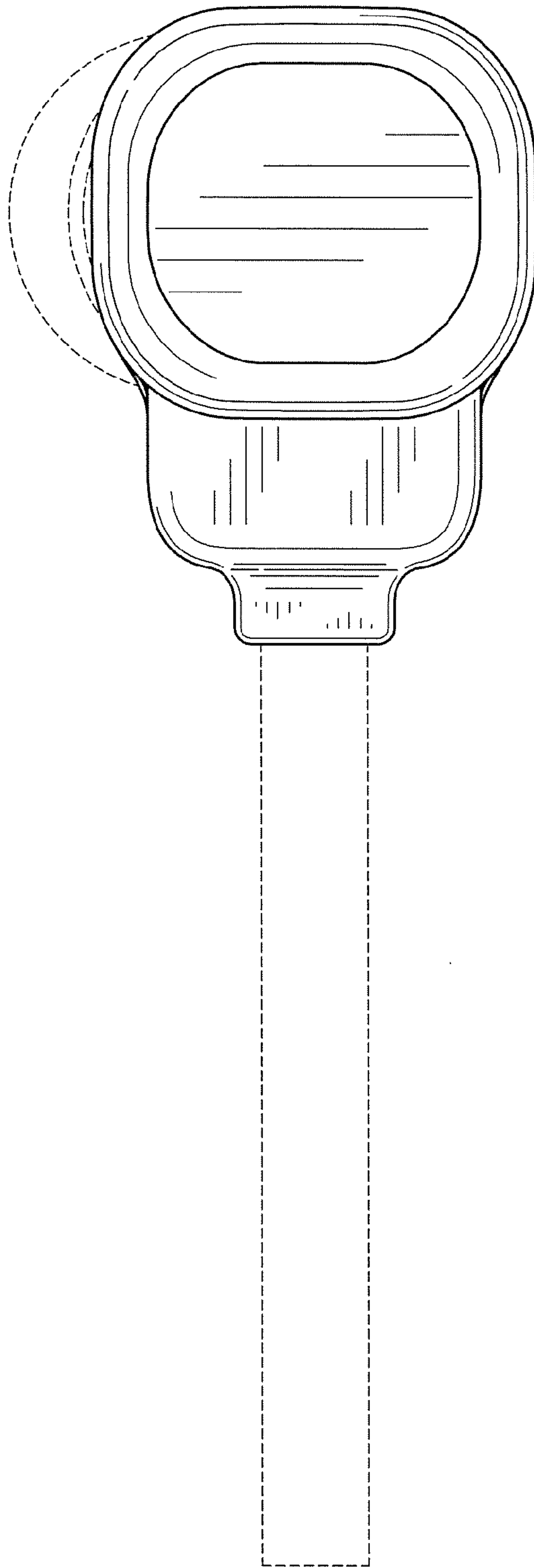


FIG. 4

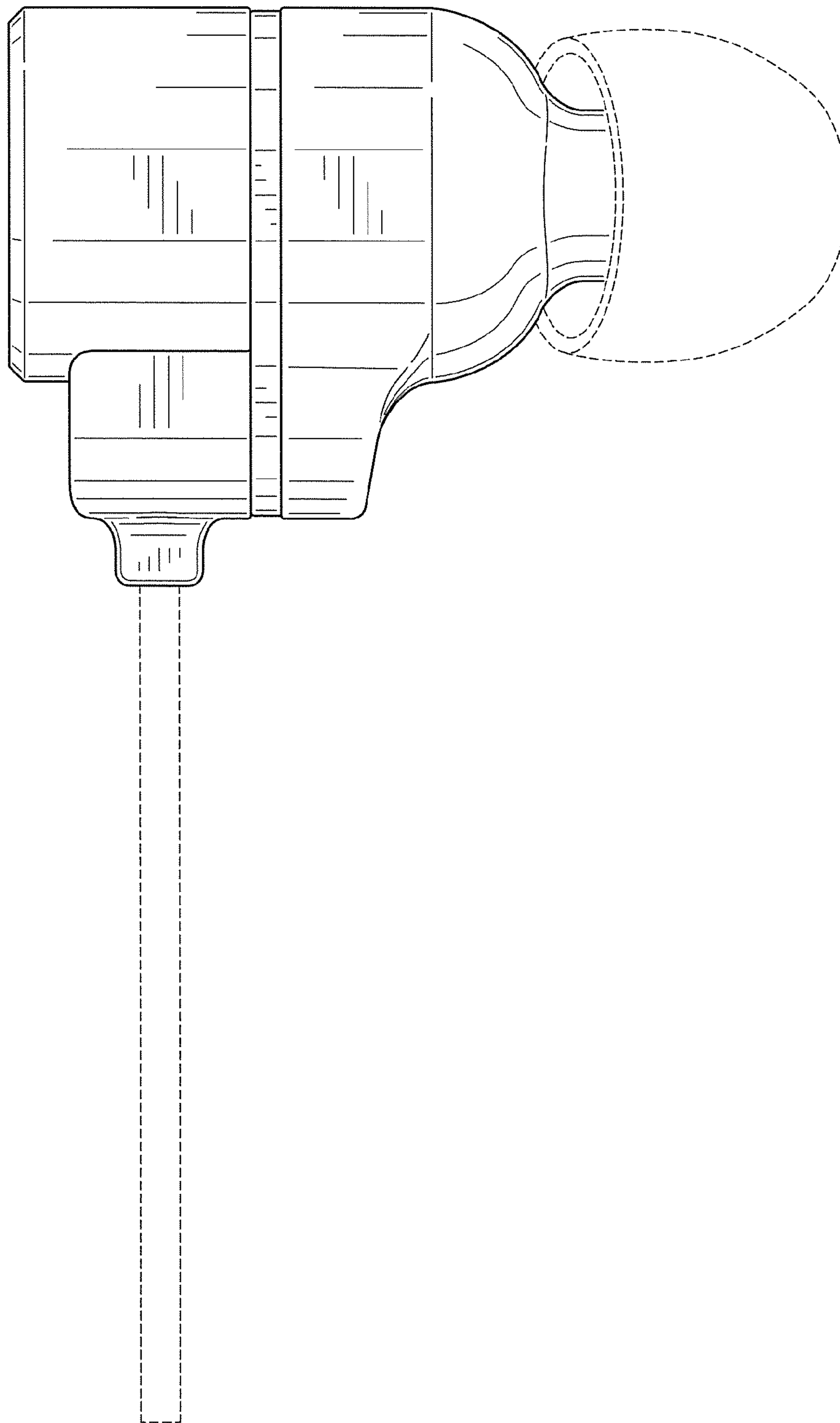


FIG. 5

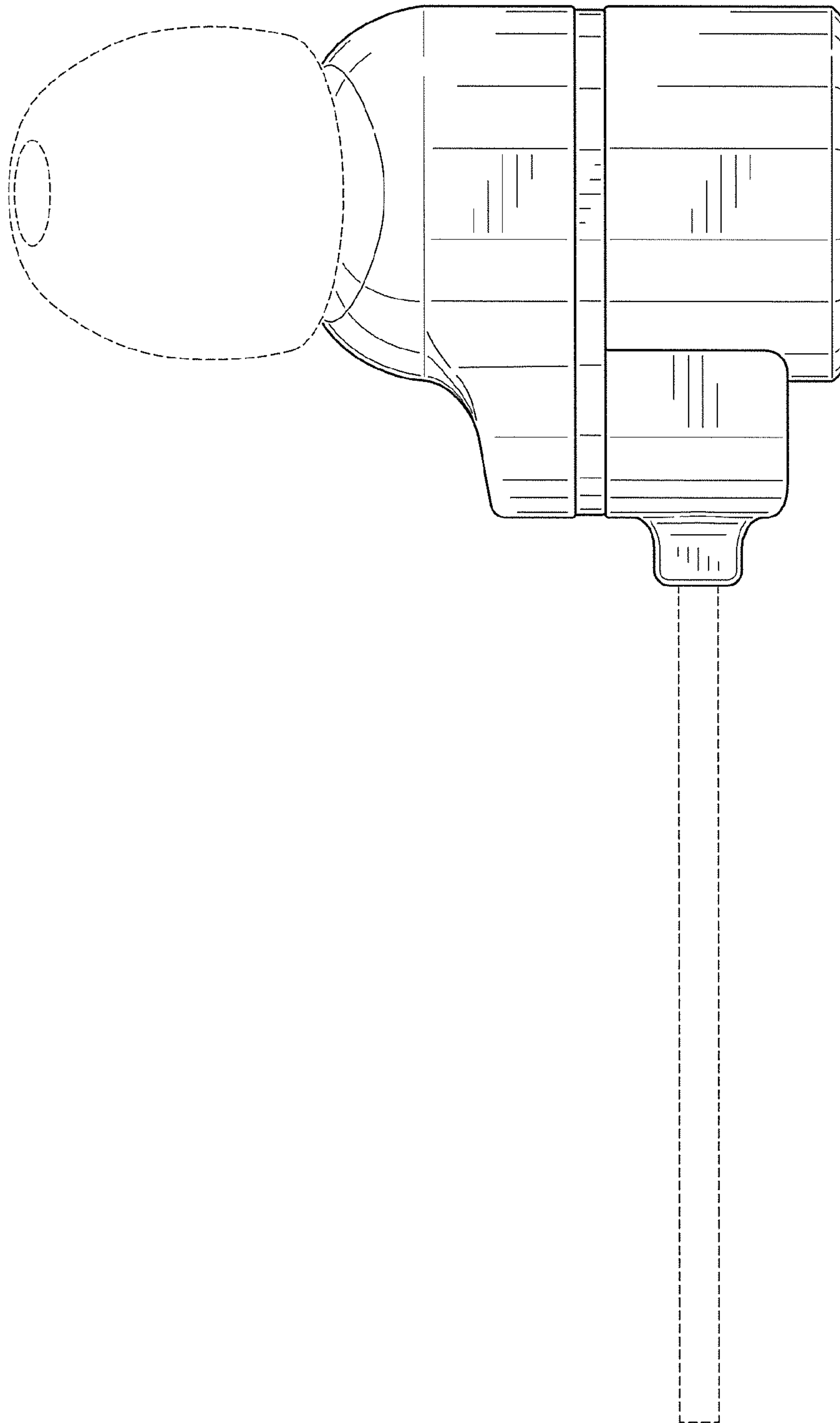


FIG. 6

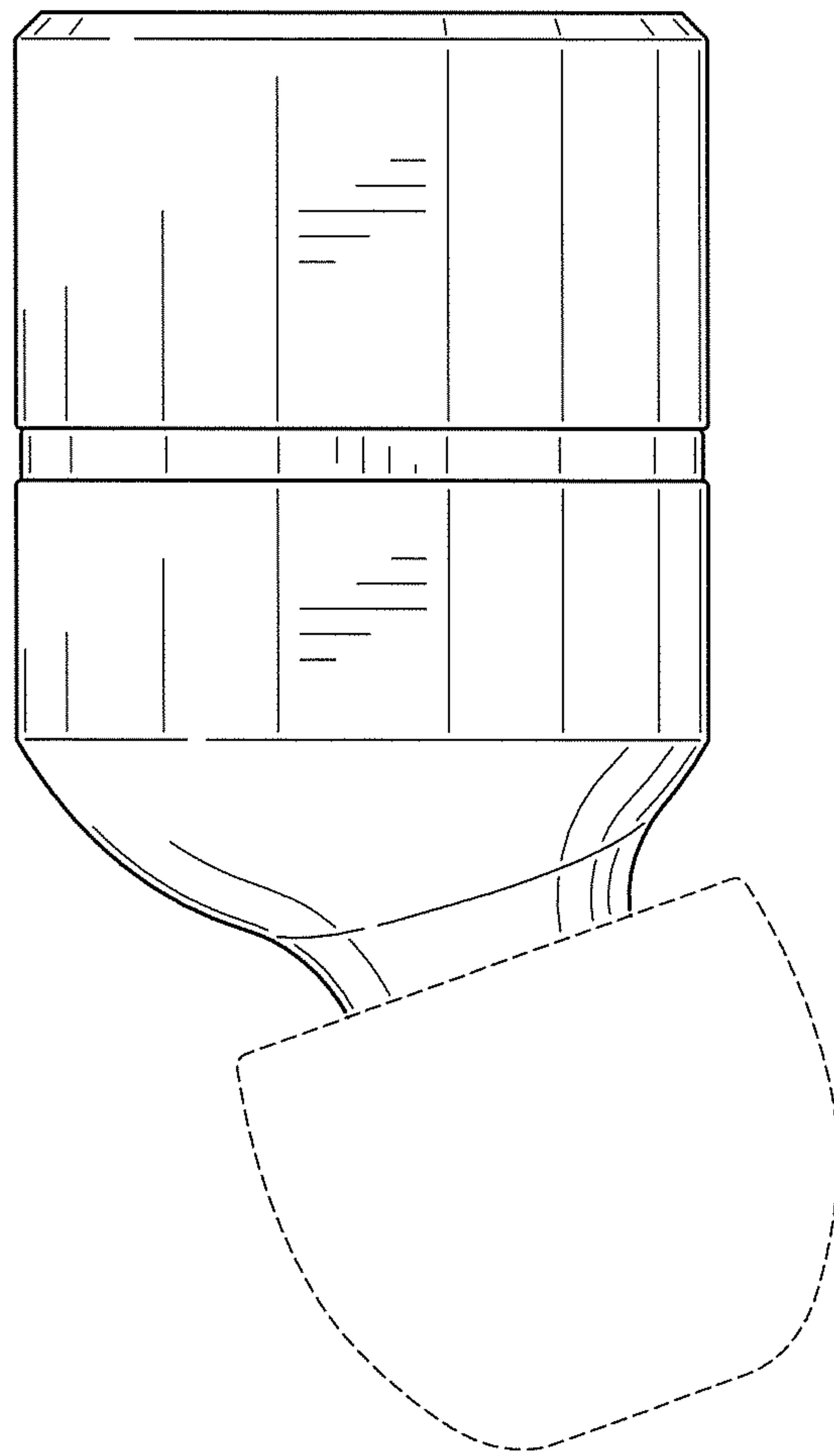


FIG. 7

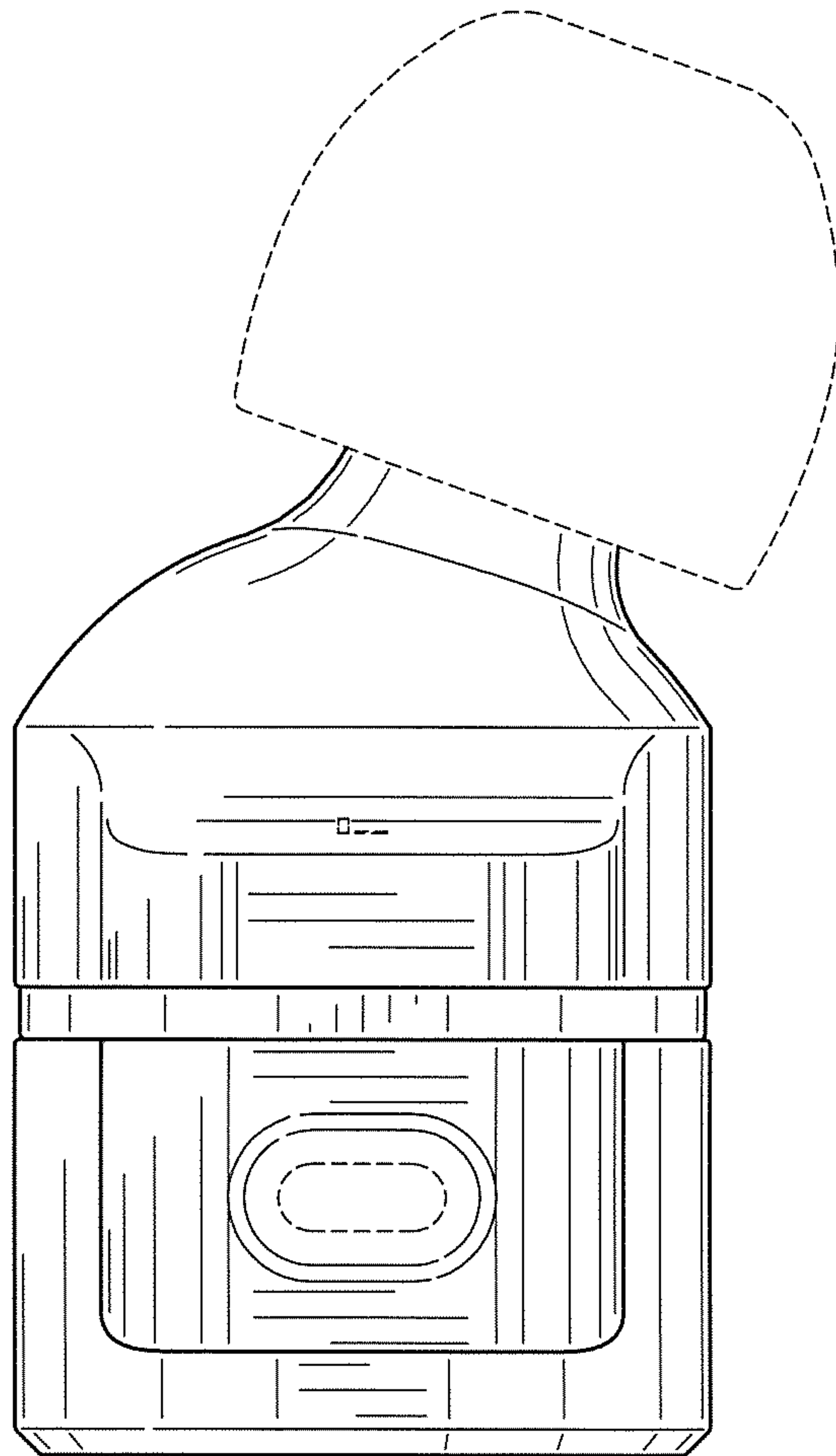


FIG. 8