



US00D711855S

(12) **United States Design Patent**
Shin et al.

(10) **Patent No.:** **US D711,855 S**

(45) **Date of Patent:** **** Aug. 26, 2014**

(54) **SPEAKER**

(56) **References Cited**

(71) Applicant: **Samsung Electronics Co., Ltd.**,
Suwon-Si (KR)

(72) Inventors: **Bongkun Shin**, Seoul (KR); **Sungjin Ann**, Seoul (KR)

(73) Assignee: **Samsung Electronics Co., Ltd.**,
Gyeonggi-do (KR)

(**) Term: **14 Years**

(21) Appl. No.: **29/457,780**

(22) Filed: **Jun. 13, 2013**

(30) **Foreign Application Priority Data**

Dec. 13, 2012 (KR) 30-2012-0060269

(51) **LOC (10) Cl.** **14-01**

(52) **U.S. Cl.**
USPC **D14/221**

(58) **Field of Classification Search**
USPC D14/204, 207, 209–216, 168, 221;
D3/272–274, 281, 291–294;
181/141–148, 150, 157, 198, 199, 151,
181/153; 381/300–302, 306, 333, 345,
381/361–164, 386–388, 332, 336

See application file for complete search history.

U.S. PATENT DOCUMENTS

| | | | | | |
|-----------|------|---------|---------------|-------|-----------|
| 4,289,929 | A * | 9/1981 | Hathaway | | 381/351 |
| 4,872,527 | A * | 10/1989 | Han | | 181/160 |
| 5,546,468 | A * | 8/1996 | Beard | | 381/86 |
| 6,411,720 | B1 * | 6/2002 | Pritchard | | 381/348 |
| D465,211 | S * | 11/2002 | Lawrence | | D14/214 |
| D505,939 | S * | 6/2005 | Dayan | | D14/215 |
| D505,942 | S * | 6/2005 | Meyer et al. | | D14/215 |
| D531,166 | S * | 10/2006 | Baird | | D14/207 |
| D563,390 | S * | 3/2008 | Vafiadis | | D14/215 |
| D618,214 | S * | 6/2010 | Wang et al. | | D14/209.1 |
| D676,025 | S * | 2/2013 | Davies et al. | | D14/215 |
| D678,246 | S * | 3/2013 | Davies et al. | | D14/215 |

* cited by examiner

Primary Examiner — Prabhakar Deshmukh
(74) *Attorney, Agent, or Firm* — Harness, Dickey & Pierce, P.L.C.

(57) **CLAIM**
The ornamental design for a speaker, as shown and described.

DESCRIPTION

FIG. 1 is the perspective view of a speaker showing our new design;
FIG. 2 is the front view thereof;
FIG. 3 is the rear view thereof;
FIG. 4 is the left-side view thereof;
FIG. 5 is the right-side view thereof;
FIG. 6 is the top plan view thereof; and,
FIG. 7 is the bottom plan view thereof.
The broken lines indicate unclaimed portions and form no part of the claimed design.

1 Claim, 5 Drawing Sheets

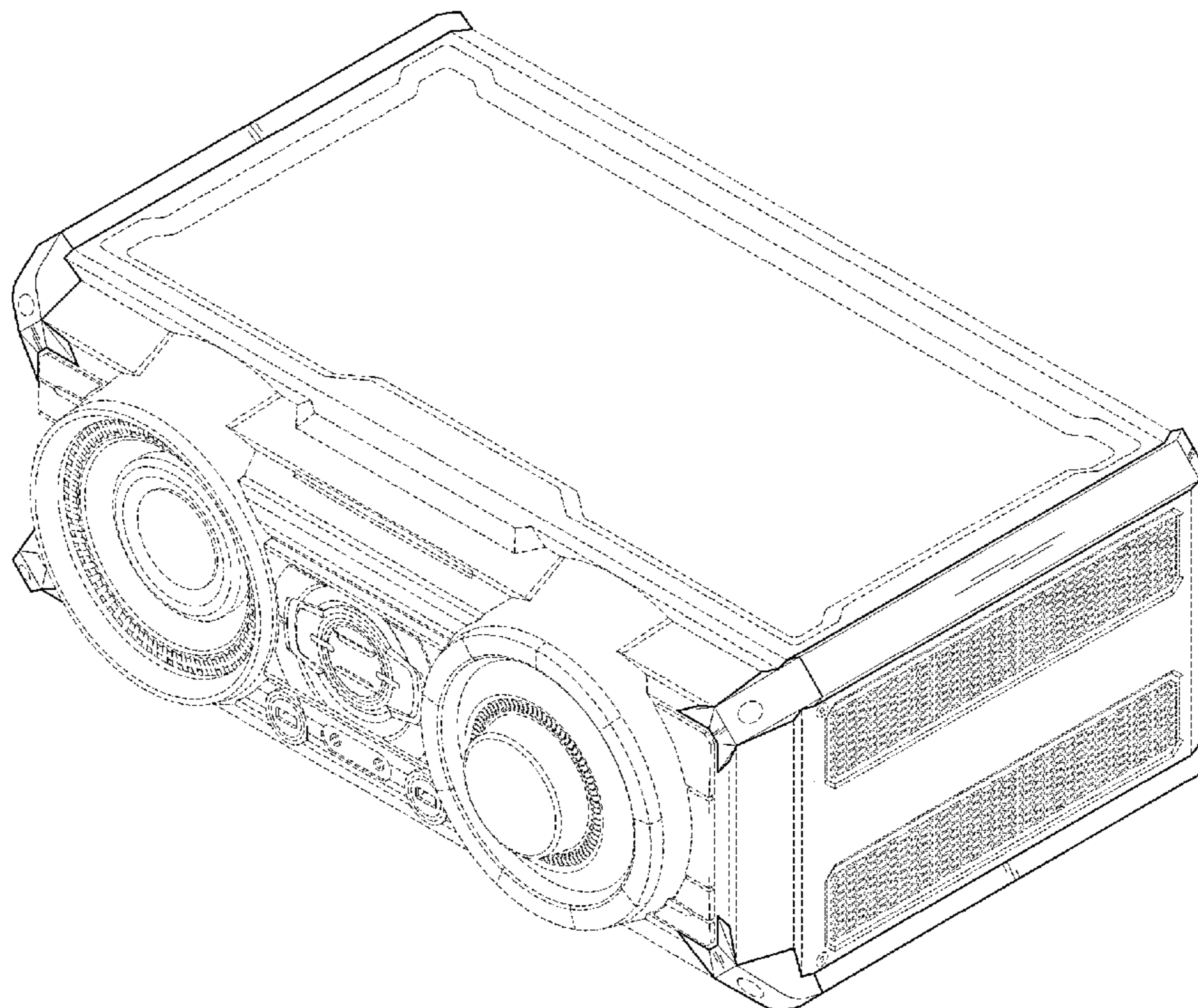


FIG. 1

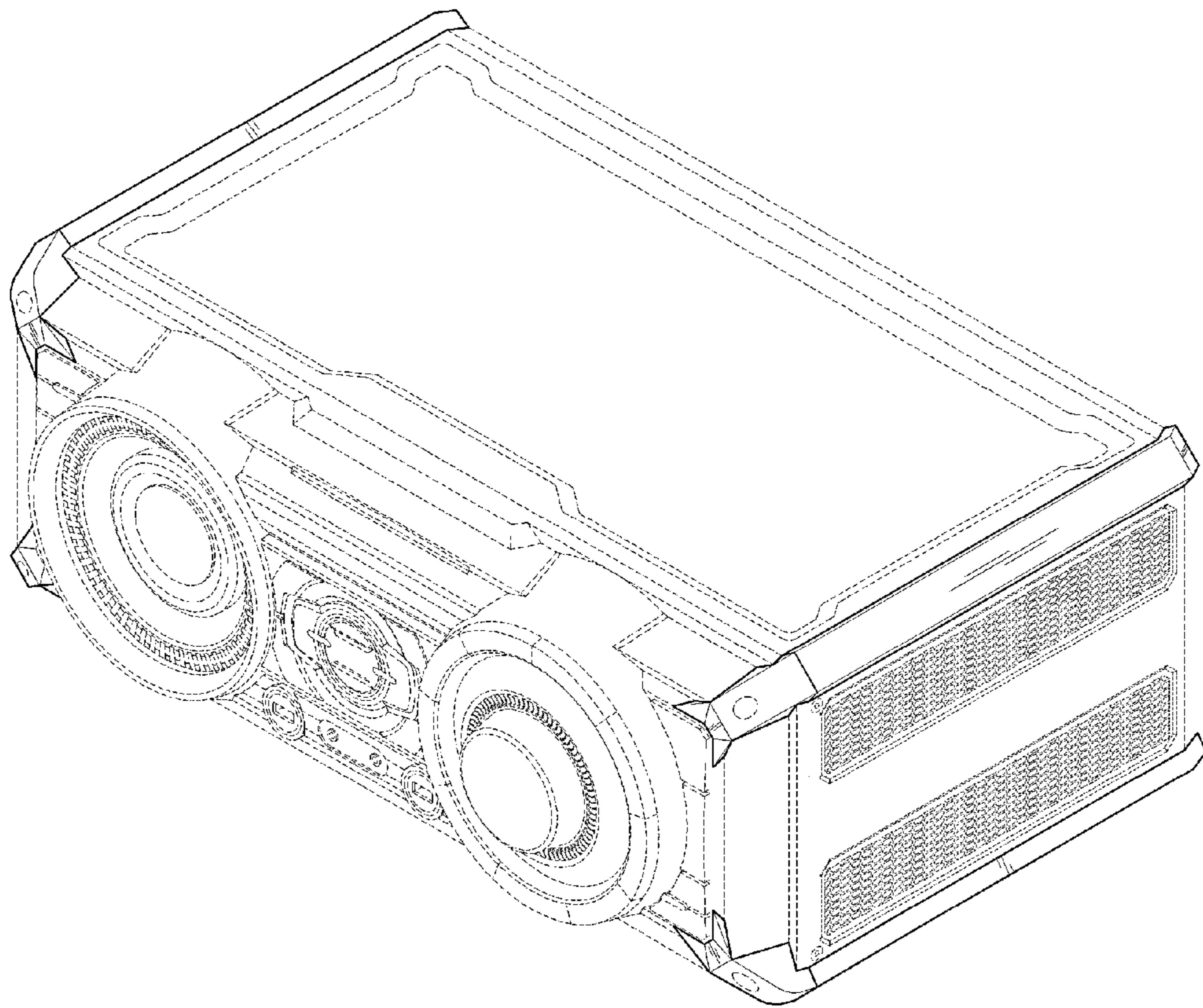


FIG. 2

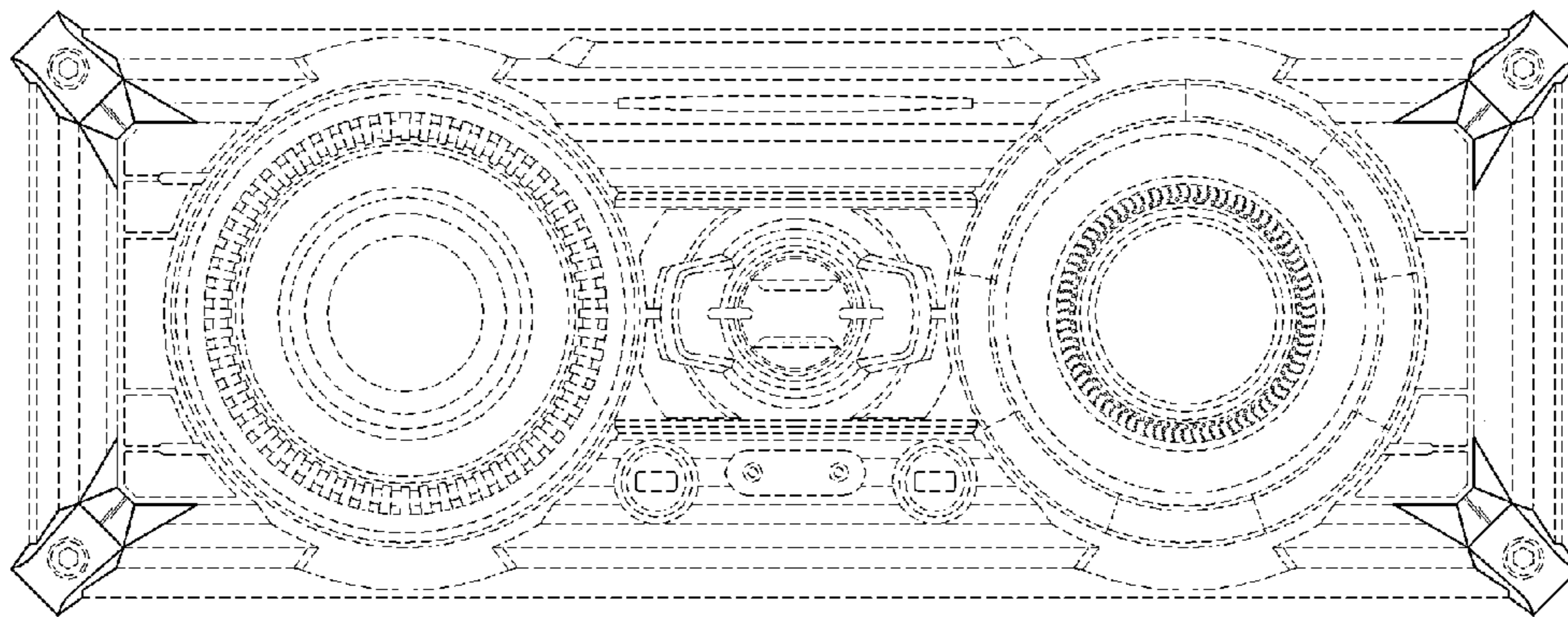


FIG. 3



FIG. 4

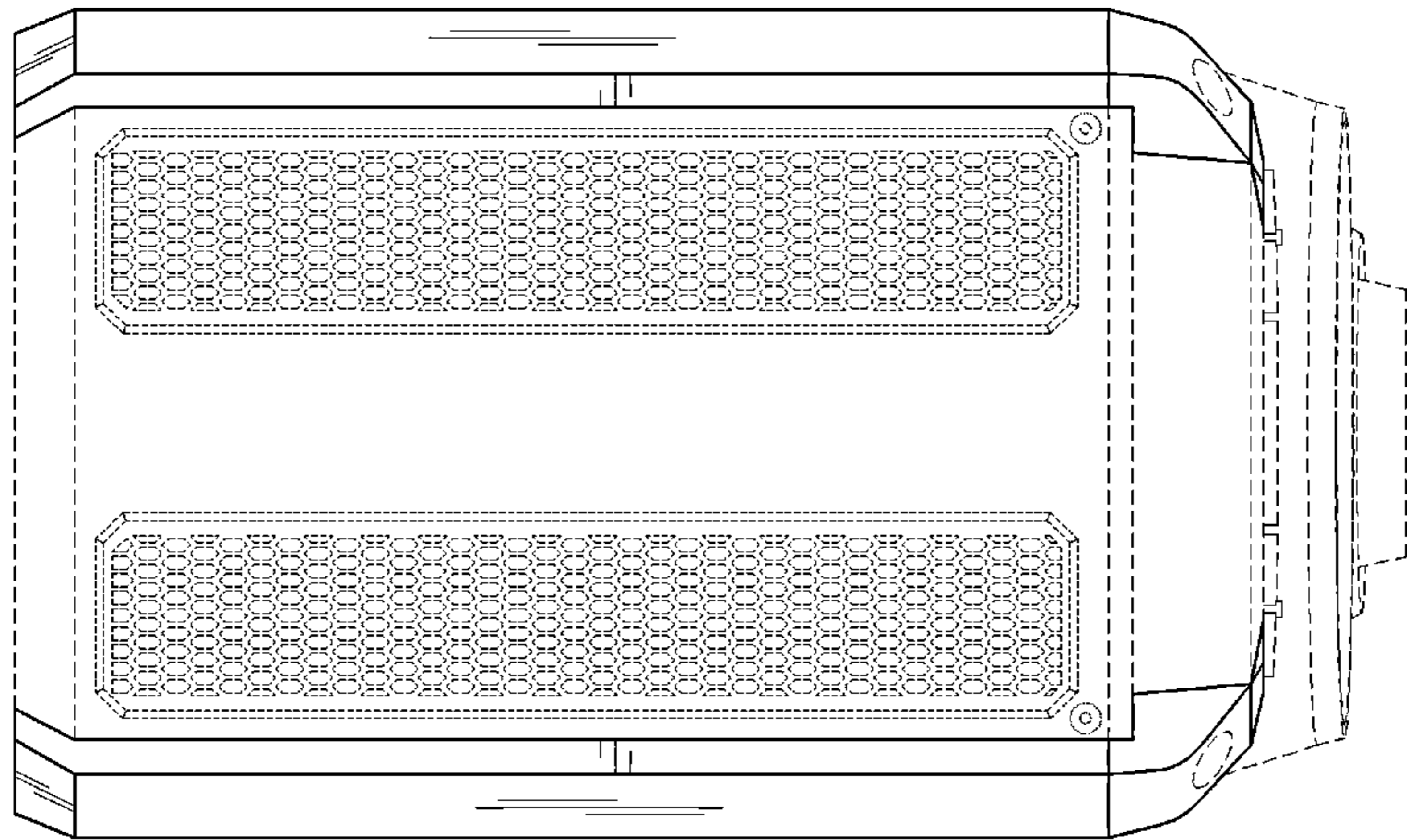


FIG. 5

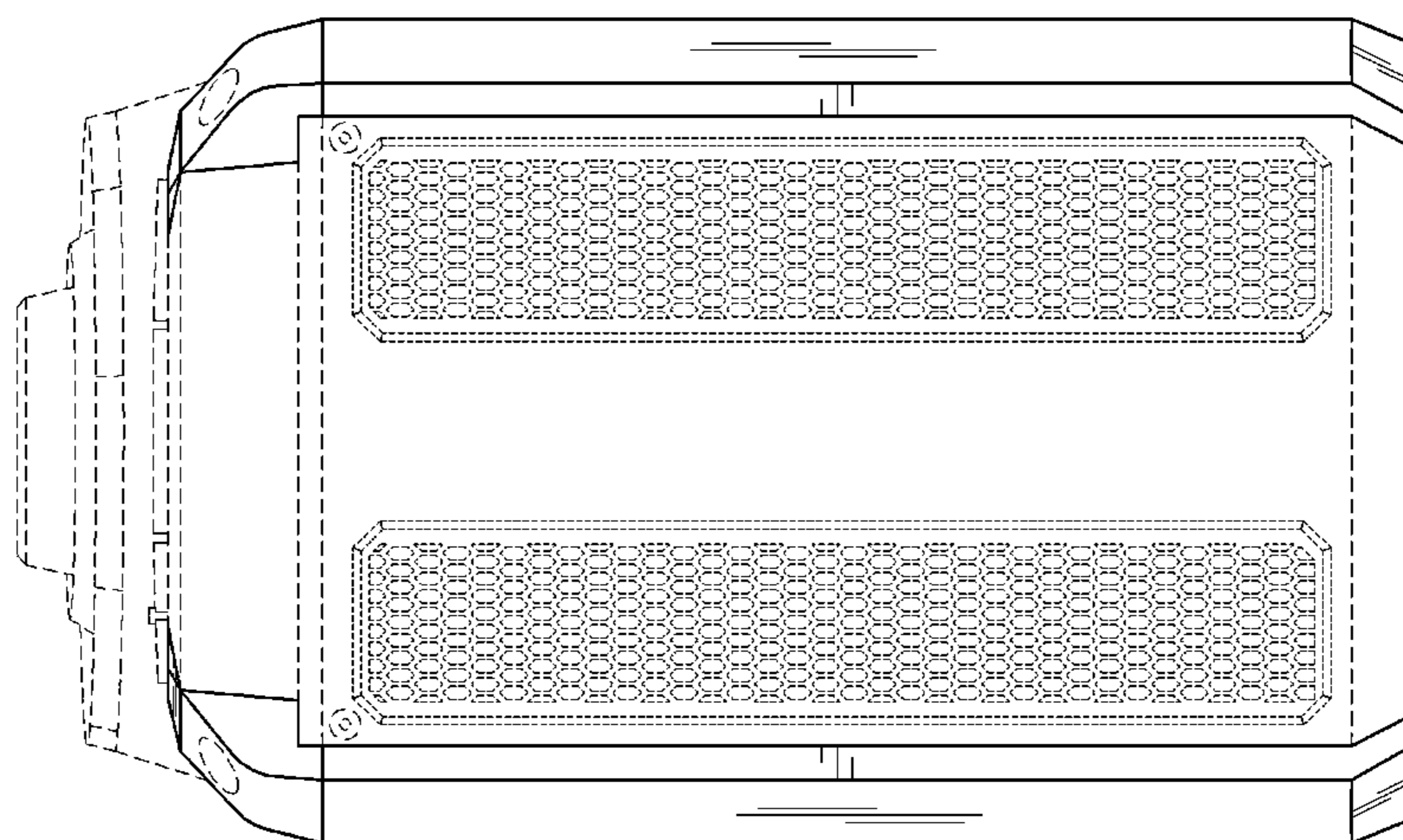


FIG. 6

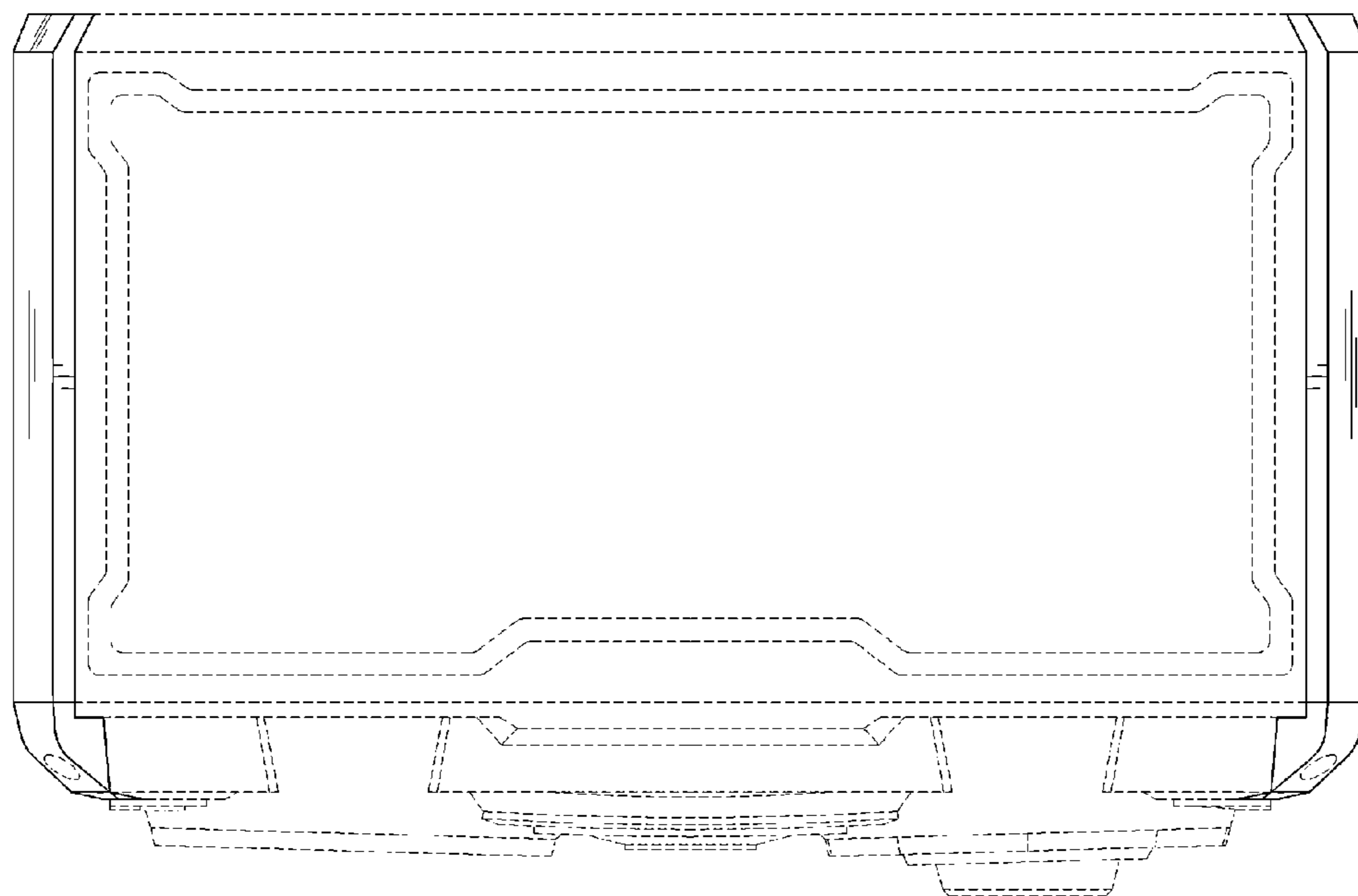


FIG. 7

