



US00D711853S

(12) **United States Design Patent**
Miyata et al.

(10) **Patent No.:** **US D711,853 S**

(45) **Date of Patent:** **** Aug. 26, 2014**

(54) **SPEAKER**

(71) Applicant: **Anden Co., Ltd.**, Anjo (JP)

(72) Inventors: **Susumu Miyata**, Anjo (JP); **Makoto Tsuruta**, Hekinan (JP)

(73) Assignee: **Anden Co., Ltd.**, Anjo (JP)

(**) Term: **14 Years**

(21) Appl. No.: **29/441,198**

(22) Filed: **Jan. 2, 2013**

(30) **Foreign Application Priority Data**

Jul. 2, 2012 (JP) 2012-015630

(51) **LOC (10) Cl.** **14-01**

(52) **U.S. Cl.**

CPC **H04R 1/02** (2013.01)

USPC **D14/216**; D14/204

(58) **Field of Classification Search**

CPC H04R 1/02

USPC D14/205, 206, 223, 204, 210, 215, 216,

D14/217, 221, 222, 224, 228; 181/129, 130,

181/135; 379/430, 431; 455/90.3, 575.1;

381/380, 381, 182, 389, 189

See application file for complete search history.

(56) **References Cited**

U.S. PATENT DOCUMENTS

D87,689 S * 8/1932 Sinel D14/215

D87,690 S * 8/1932 Sinel D14/215

D151,795 S * 11/1948 Stine D14/215

2,915,587 A * 12/1959 Hardesty 381/75

2,924,290 A * 2/1960 Zuerker 381/189

| | | | | | | |
|--------------|----|---|---------|--------------------|-------|---------|
| 4,365,114 | A | * | 12/1982 | Soma | | 381/182 |
| 4,672,675 | A | * | 6/1987 | Powell et al. | | 381/182 |
| D320,020 | S | * | 9/1991 | Iwano | | D14/216 |
| 5,133,428 | A | * | 7/1992 | Perrson | | 181/153 |
| D393,642 | S | * | 4/1998 | Yuyama | | D14/216 |
| D419,561 | S | * | 1/2000 | Haase et al. | | D14/216 |
| D466,888 | S | * | 12/2002 | Sugiyama et al. | | D14/221 |
| D468,729 | S | * | 1/2003 | Takayama et al. | | D14/224 |
| D471,179 | S | * | 3/2003 | Suzuki et al. | | D14/215 |
| D489,055 | S | * | 4/2004 | Yamada | | D14/215 |
| D496,353 | S | * | 9/2004 | Williamson | | D14/222 |
| D506,748 | S | * | 6/2005 | Garretson et al. | | D14/221 |
| D526,312 | S | * | 8/2006 | Kuribayashi et al. | | D14/221 |
| D568,195 | S | * | 5/2008 | Solow | | D10/120 |
| D680,999 | S | * | 4/2013 | Chan | | D14/158 |
| 8,615,100 | B2 | * | 12/2013 | Tsuruta et al. | | 381/389 |
| 2012/0328146 | A1 | * | 12/2012 | Tsuruta et al. | | 381/389 |

* cited by examiner

Primary Examiner — Paula Greene

(74) *Attorney, Agent, or Firm* — Nixon & Vanderhye P.C.

(57) **CLAIM**

The design for a speaker, as shown and described.

DESCRIPTION

FIG. 1 is a front view of a speaker of a new design; FIG. 2 is a back view of the speaker shown in FIG. 1; FIG. 3 is a left side view of the speaker shown in FIG. 1; FIG. 4 is a right side view of the speaker shown in FIG. 1; FIG. 5 is a top view of the speaker shown in FIG. 1; FIG. 6 is a bottom view of the speaker shown in FIG. 1; FIG. 7 is a front-side perspective view of the speaker shown in FIG. 1; and, FIG. 8 is a back-side perspective view of the speaker shown in FIG. 1.

The broken lines form no part of the claimed design.

1 Claim, 4 Drawing Sheets

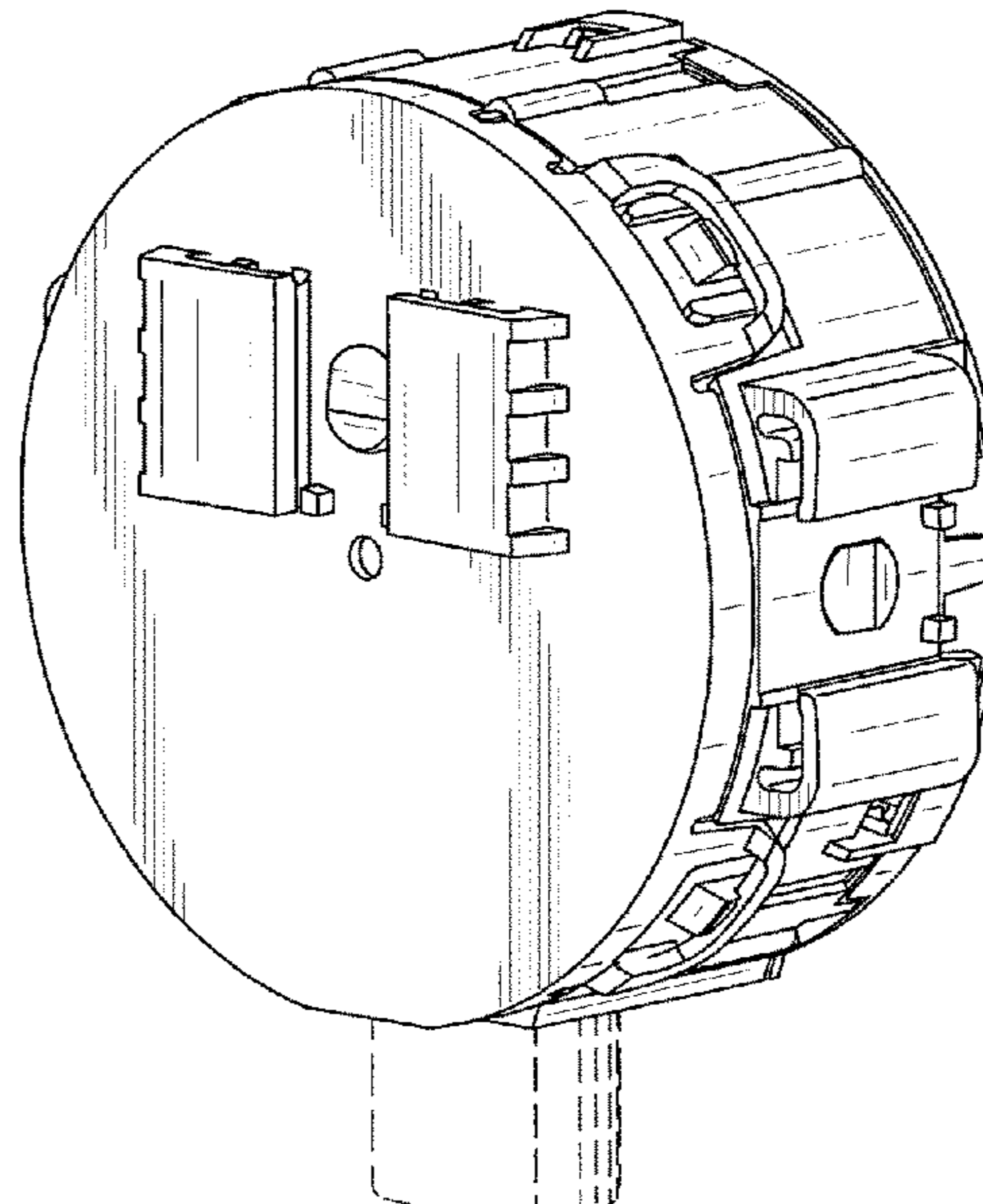
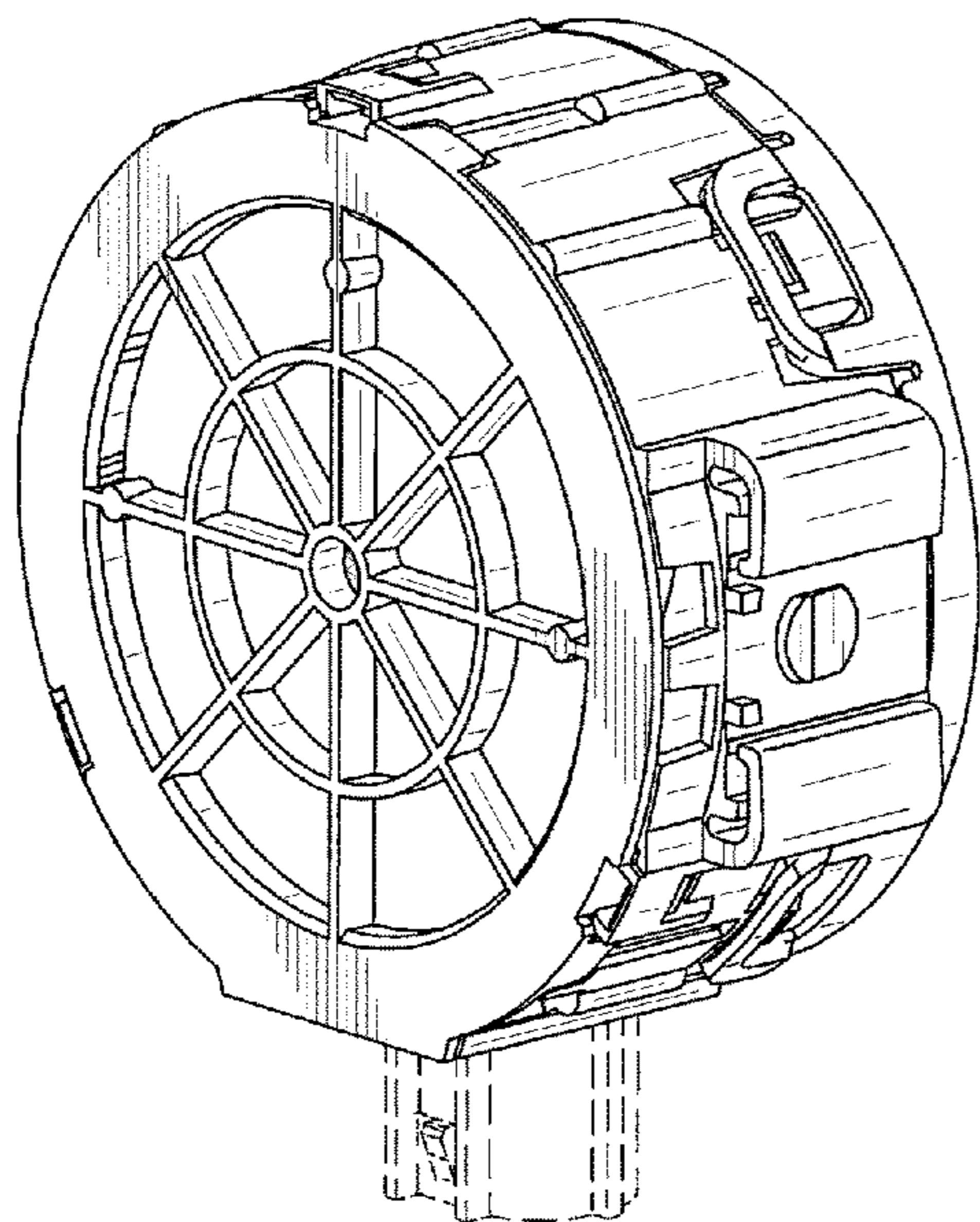


FIG. 1

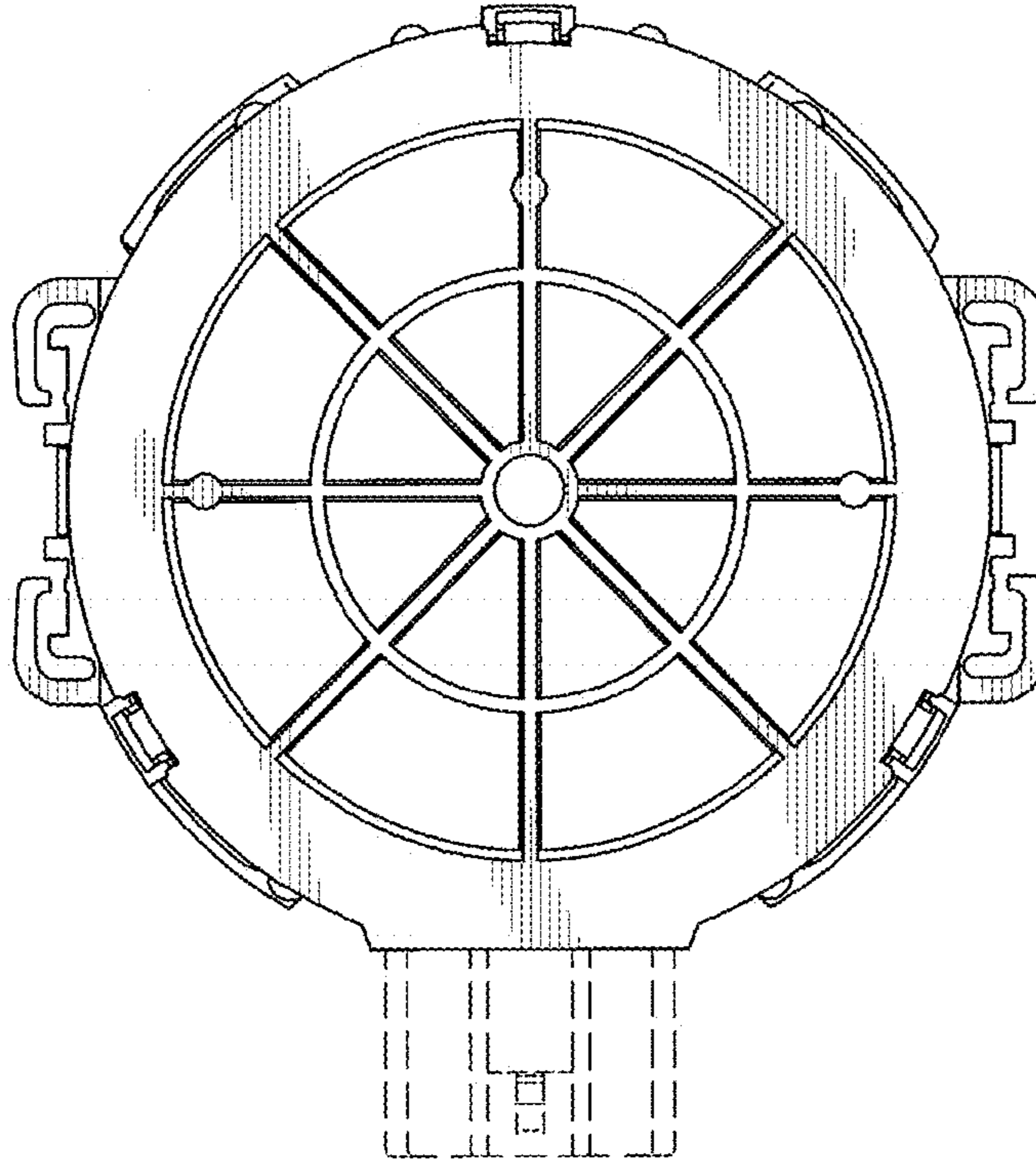


FIG. 2

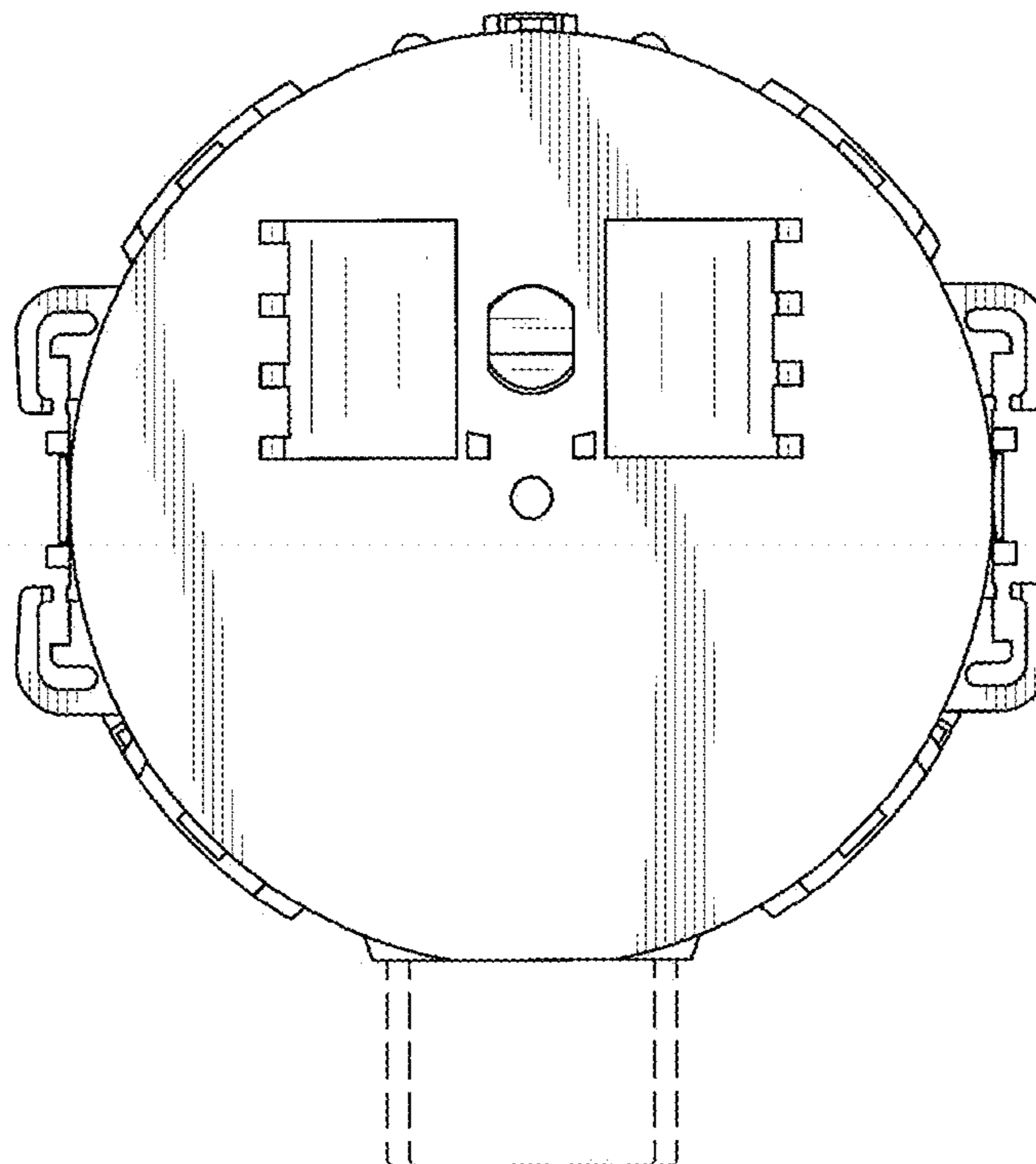


FIG. 3

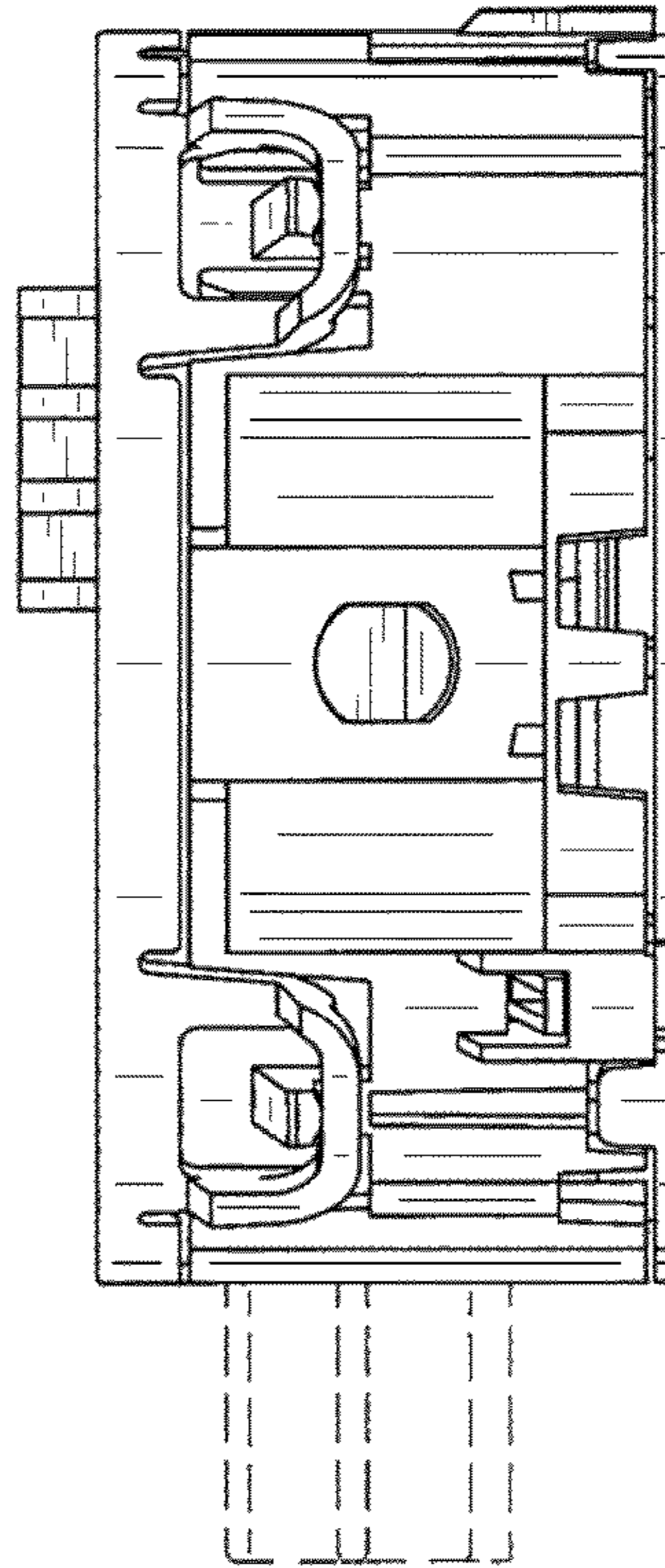


FIG. 4

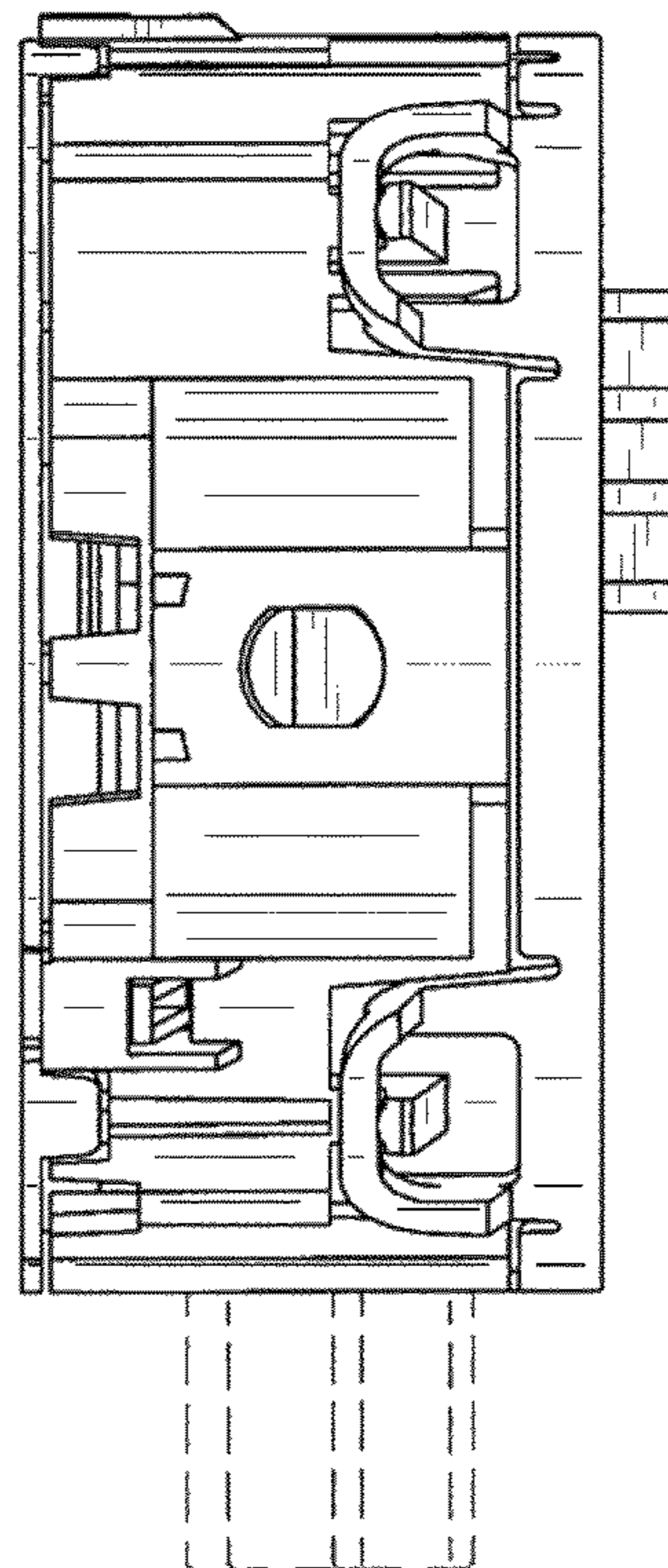


FIG. 5

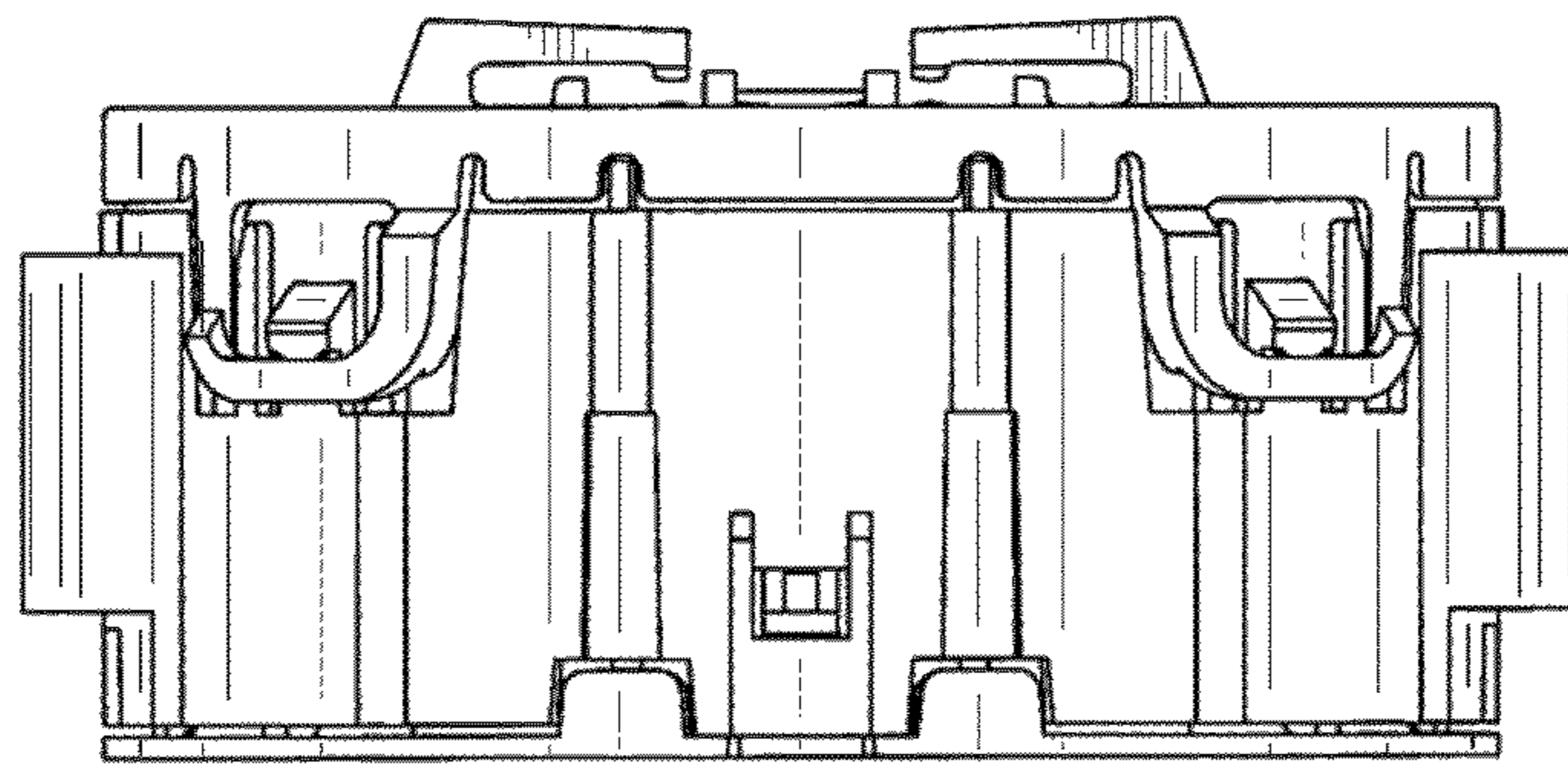


FIG. 6

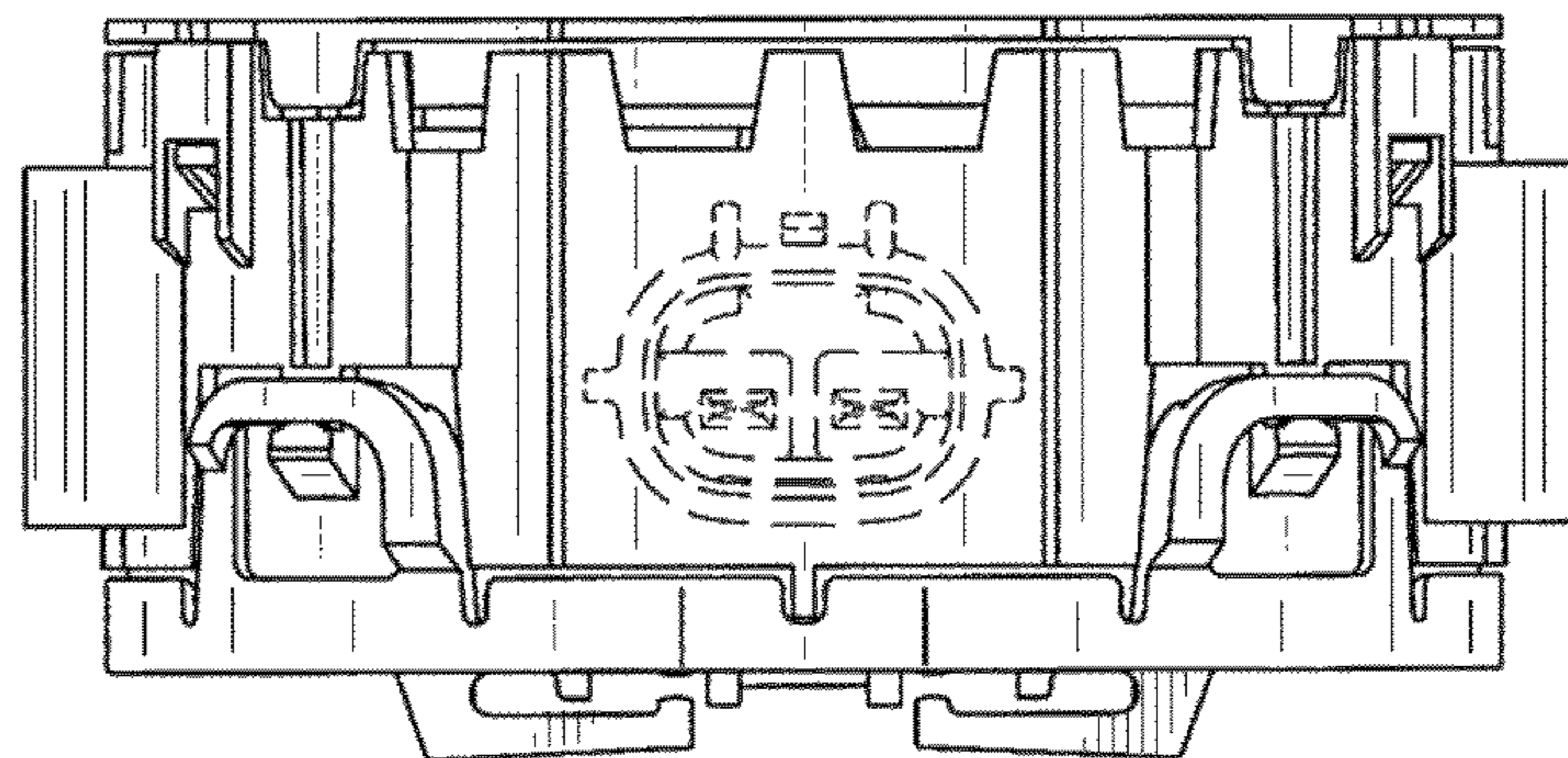


FIG. 7

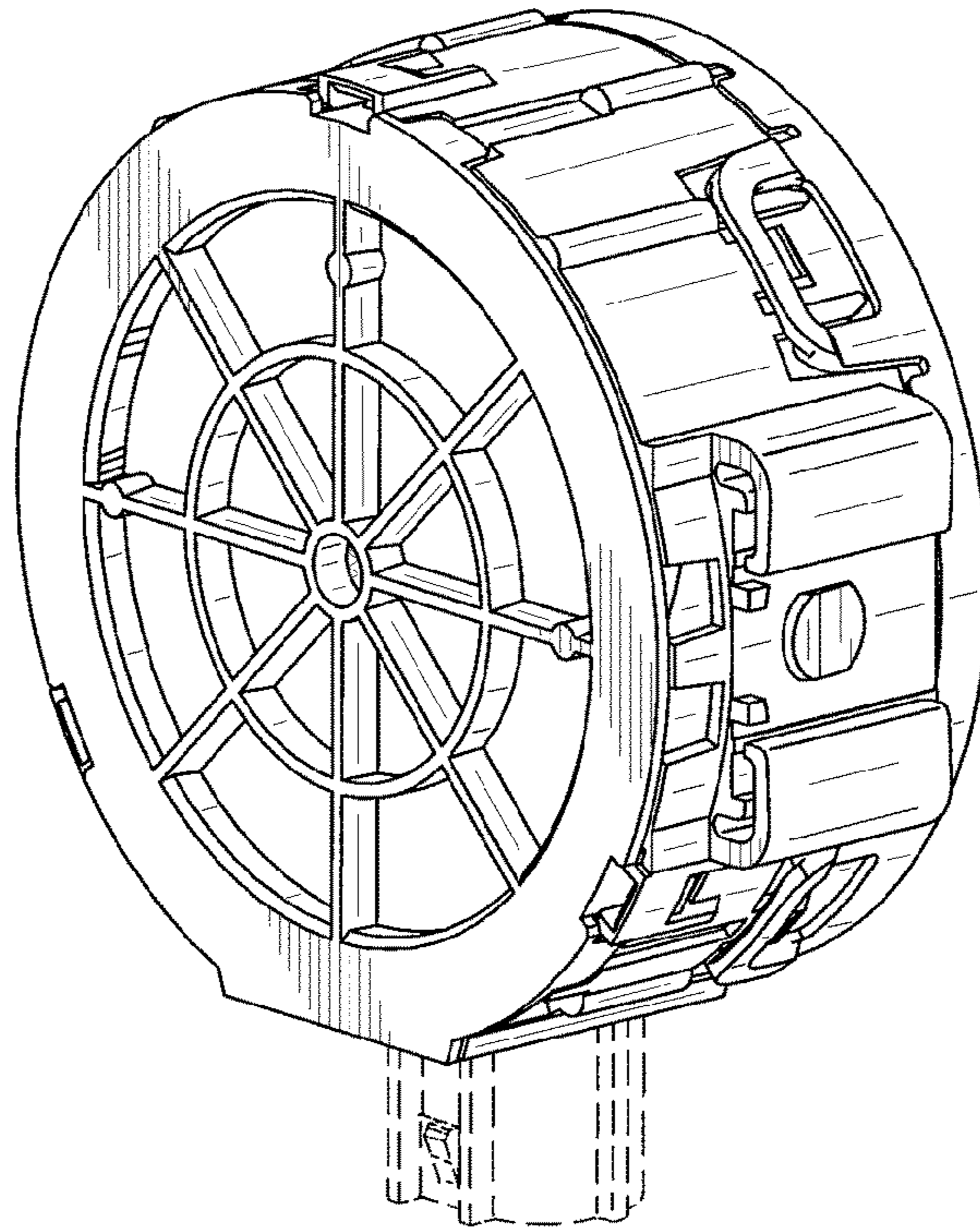


FIG. 8

