

US00D711850S

(12) **United States Design Patent**
Ang

(10) **Patent No.:** **US D711,850 S**

(45) **Date of Patent:** **** Aug. 26, 2014**

(54) **HEADPHONE**

(71) Applicant: **Creative Technology Ltd**, Singapore
(SG)

(72) Inventor: **Huang Pheng Vince Ang**, Singapore
(SG)

(73) Assignee: **Creative Technology Ltd**, Singapore
(SG)

(**) Term: **14 Years**

(21) Appl. No.: **29/460,022**

(22) Filed: **Jul. 6, 2013**

(30) **Foreign Application Priority Data**

Jan. 8, 2013 (SG) D2013/25/C

(51) **LOC (10) Cl.** **14-01**

(52) **U.S. Cl.**

CPC **H04R 1/1066** (2013.01)

USPC **D14/205**

(58) **Field of Classification Search**

CPC H04R 1/1066

USPC D14/205; D29/112; 2/209; 181/129,

181/130, 135; 379/430, 431; 381/380, 381,

381/370, 374; 455/90.3, 575.1

See application file for complete search history.

(56) **References Cited**

U.S. PATENT DOCUMENTS

D237,307 S * 10/1975 Miyamoto et al. D14/192

D328,074 S * 7/1992 Yamazaki et al. D14/205

D328,461 S * 8/1992 Daido et al. D14/205

5,574,795 A * 11/1996 Seki 381/370

D491,163	S	*	6/2004	Green	D14/205
D541,255	S	*	4/2007	Taylor et al.	D14/205
D563,382	S	*	3/2008	Wikel	D14/205
7,388,960	B2	*	6/2008	Kuo et al.	381/186
D585,871	S	*	2/2009	Lee	D14/205
D588,098	S	*	3/2009	Kurihara	D14/205
D594,847	S	*	6/2009	Suzuki	D14/205
D616,865	S	*	6/2010	Marchand et al.	D14/205
D642,554	S	*	8/2011	Schaal et al.	D14/205
8,098,872	B2	*	1/2012	Chang	381/371
D680,516	S	*	4/2013	Lee	D14/205
D685,763	S	*	7/2013	Lee et al.	D14/205
D697,895	S	*	1/2014	Lee	D14/205
D697,896	S	*	1/2014	Lee et al.	D14/205
2009/0003616	A1	*	1/2009	Kleinschmidt et al.	381/71.6
2009/0110226	A1	*	4/2009	Ishida	381/370
2010/0158265	A1	*	6/2010	Riese	381/74

* cited by examiner

Primary Examiner — Paula Greene

(74) *Attorney, Agent, or Firm* — Russell Swerdon; Desmond Gean

(57) **CLAIM**

The ornamental design for headphone, as shown and described.

DESCRIPTION

FIG. 1 is a front top left side perspective view of a headphone showing our new design;

FIG. 2 is a rear top left side perspective view thereof;

FIG. 3 is a front elevational view thereof;

FIG. 4 is a rear elevational view thereof;

FIG. 5 is a right side elevational view thereof;

FIG. 6 is a left side elevational view thereof;

FIG. 7 is a top plan view thereof; and,

FIG. 8 is a bottom plan view thereof.

1 Claim, 8 Drawing Sheets





FIG. 1



FIG. 2



FIG. 3



FIG. 4

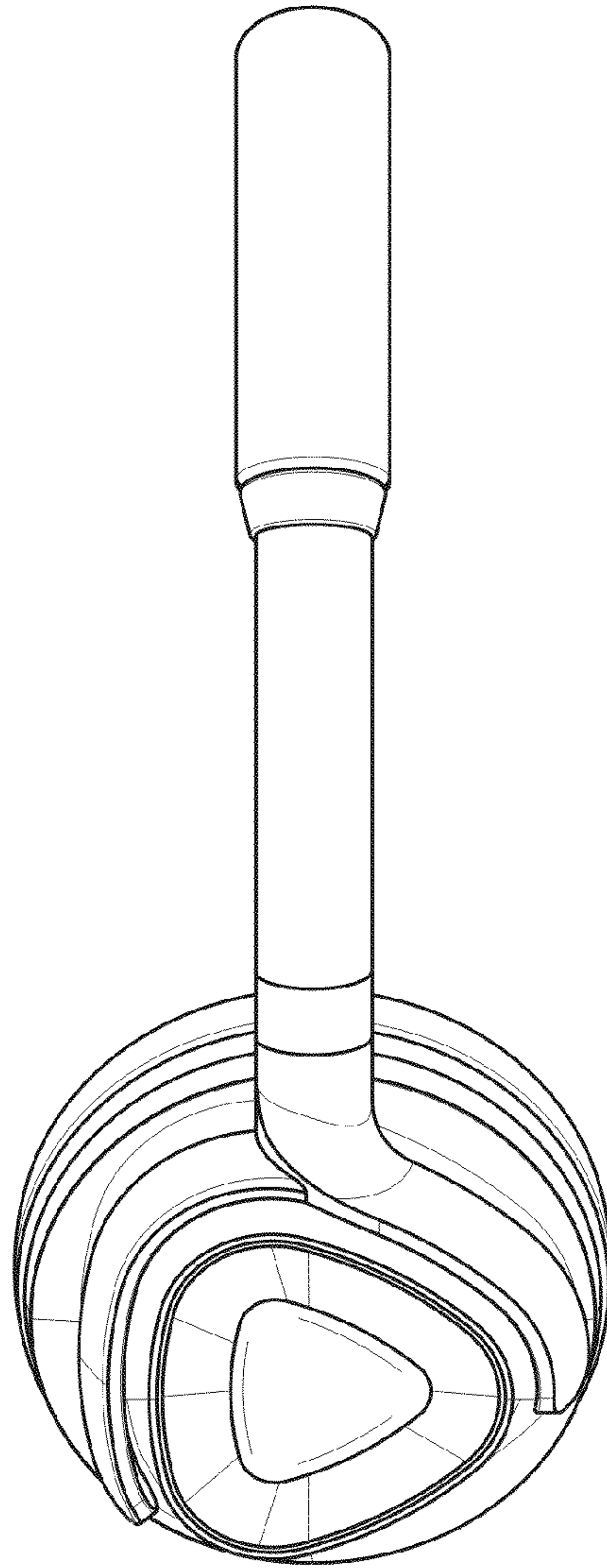


FIG. 5

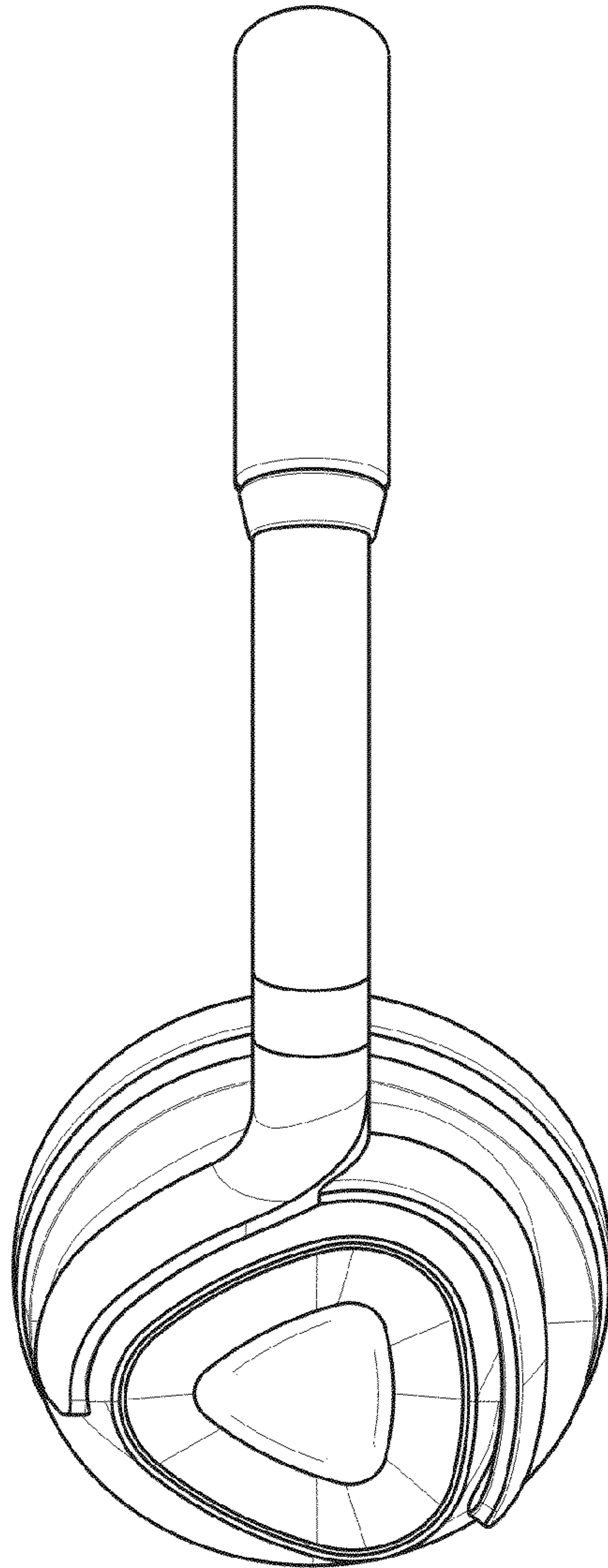


FIG. 6

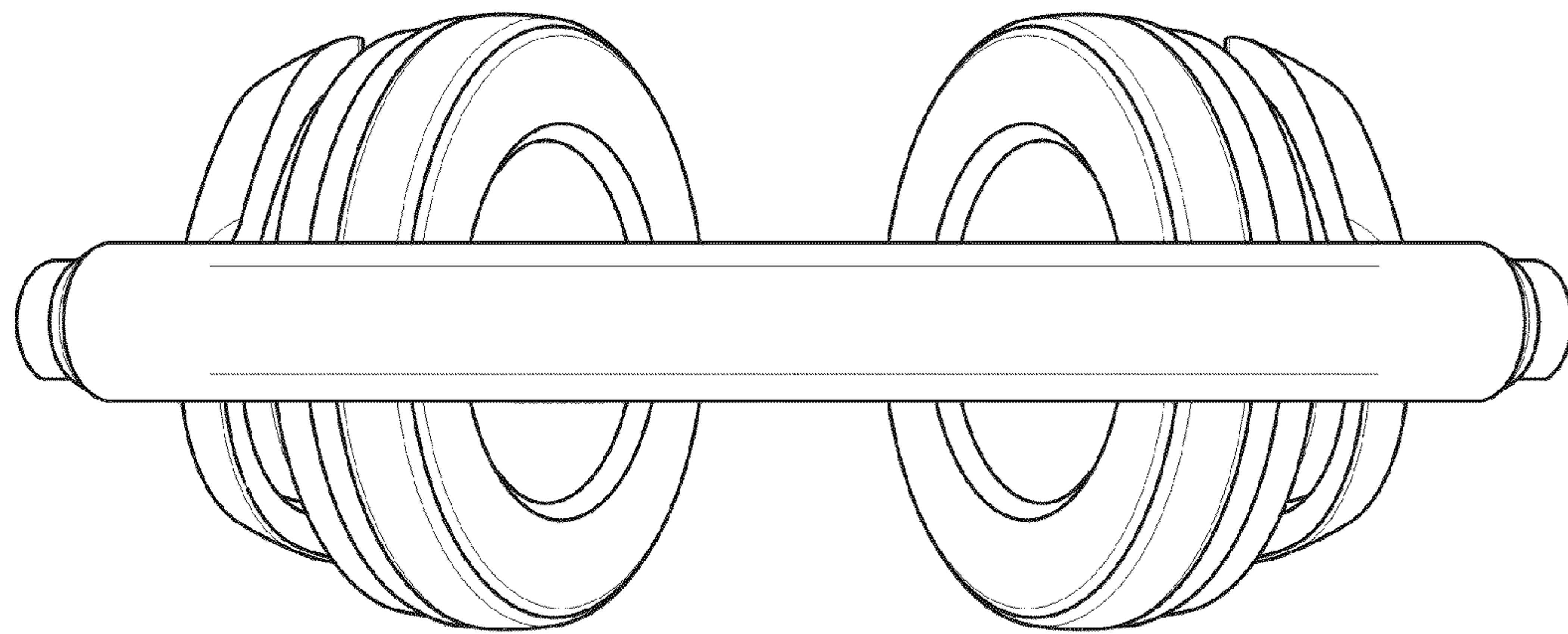


FIG. 7

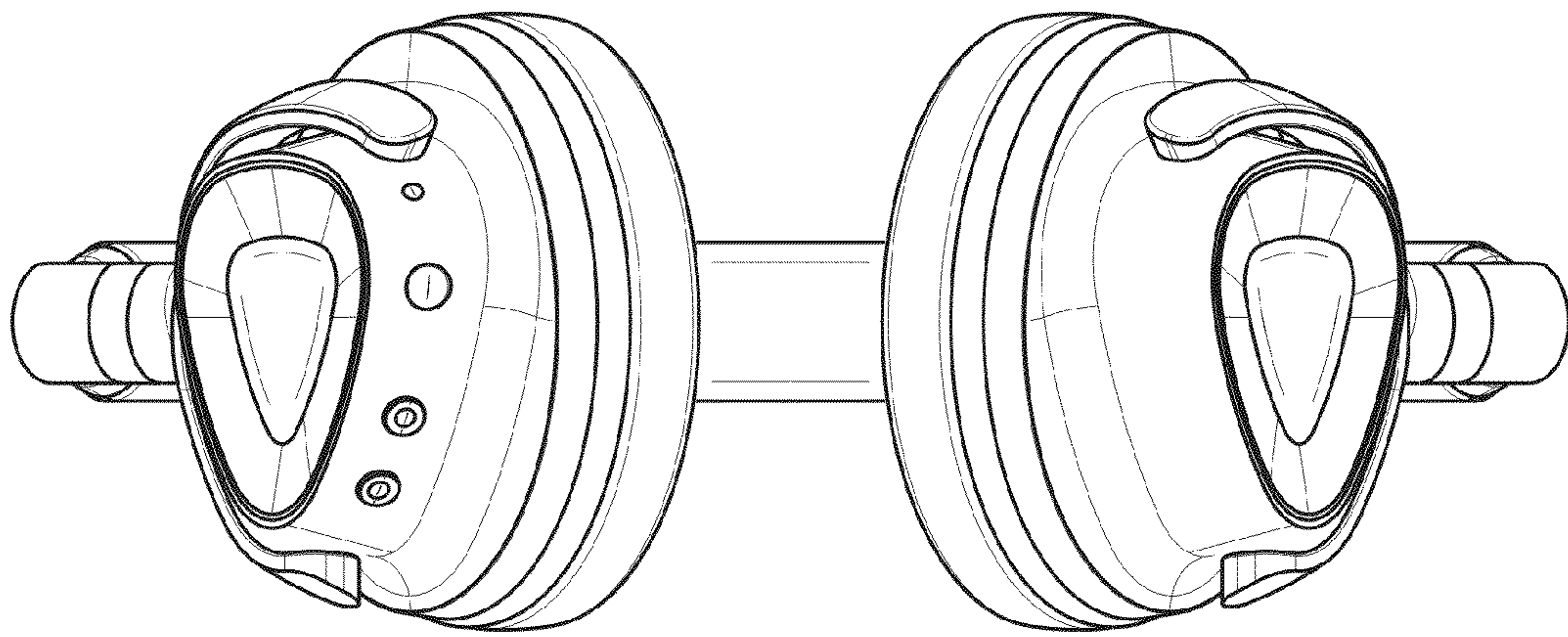


FIG. 8