



US00D711848S

(12) **United States Design Patent**  
**Liu**

(10) **Patent No.:** **US D711,848 S**

(45) **Date of Patent:** **\*\* Aug. 26, 2014**

(54) **TRANSMITTER**

(71) Applicant: **Shenzhen Aetertek Technology Co., Ltd., Shenzhen (CN)**

(72) Inventor: **Yunbing Liu, Shenzhen (CN)**

(73) Assignee: **Shenzhen Aetertek Technology Co., Ltd., Shenzhen (CN)**

(\*\*) Term: **14 Years**

(21) Appl. No.: **29/460,561**

(22) Filed: **Jul. 12, 2013**

(51) **LOC (10) Cl.** ..... **14-03**

(52) **U.S. Cl.**  
USPC ..... **D14/155**

(58) **Field of Classification Search**  
USPC ..... D14/167, 154, 168, 188, 496, 156, 160,  
D14/161, 162, 163, 164, 165, 158, 341, 346,  
D14/342, 345, 137, 155, 218, 225;  
D16/208; D26/38; 455/351, 350;  
D10/104.1, 106, 65

See application file for complete search history.

(56) **References Cited**

**U.S. PATENT DOCUMENTS**

D281,602 S	*	12/1985	Liataud et al.	.....	D14/137
D395,433 S	*	6/1998	Kee	.....	D14/192
D404,034 S	*	1/1999	Bhavnani	.....	D14/194
D406,584 S	*	3/1999	Nagai	.....	D14/137
D430,052 S	*	8/2000	Nowak	.....	D10/104.1
D436,350 S	*	1/2001	Cowan et al.	.....	D14/188

D441,743 S	*	5/2001	Uehara	.....	D14/240
D451,896 S	*	12/2001	Kim	.....	D14/137
D462,916 S	*	9/2002	Fleetwood et al.	.....	D10/104.1
D487,026 S	*	2/2004	Fleetwood et al.	.....	D10/104.1
D496,346 S	*	9/2004	Fuss et al.	.....	D14/188
D496,347 S	*	9/2004	Choi et al.	.....	D14/191
D535,973 S	*	1/2007	Goetzl et al.	.....	D14/155
D540,774 S	*	4/2007	Alwicker et al.	.....	D14/155
D541,253 S	*	4/2007	Thoeny	.....	D14/155
D587,708 S	*	3/2009	Yoshida et al.	.....	D14/358
D589,490 S	*	3/2009	Thusbass	.....	D14/155
D595,684 S	*	7/2009	Ganley et al.	.....	D14/155
D685,756 S	*	7/2013	Liu	.....	D14/155
D685,757 S	*	7/2013	Liu	.....	D14/155

\* cited by examiner

*Primary Examiner* — Austin Murphy

(57) **CLAIM**

The ornamental design for a transmitter, as shown and described.

**DESCRIPTION**

FIG. 1 is a front view of a transmitter of my new design;  
 FIG. 2 is a back view of the transmitter thereof;  
 FIG. 3 is a left view of the transmitter thereof;  
 FIG. 4 is a right view of the transmitter thereof;  
 FIG. 5 is a top view of the transmitter thereof;  
 FIG. 6 is a bottom view of the transmitter thereof;  
 FIG. 7 is a first front perspective view of the transmitter thereof;  
 FIG. 8 is a second front perspective view of the transmitter thereof; and,  
 FIG. 9 is a back perspective view of the transmitter thereof.

**1 Claim, 9 Drawing Sheets**



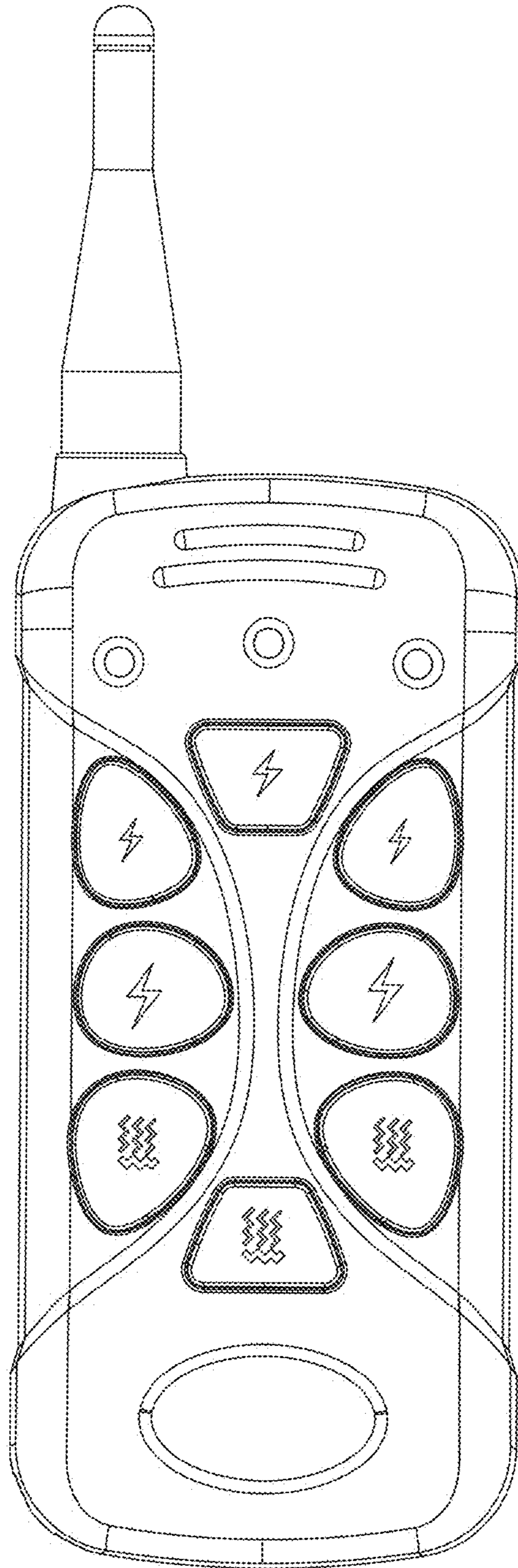


Fig. 1

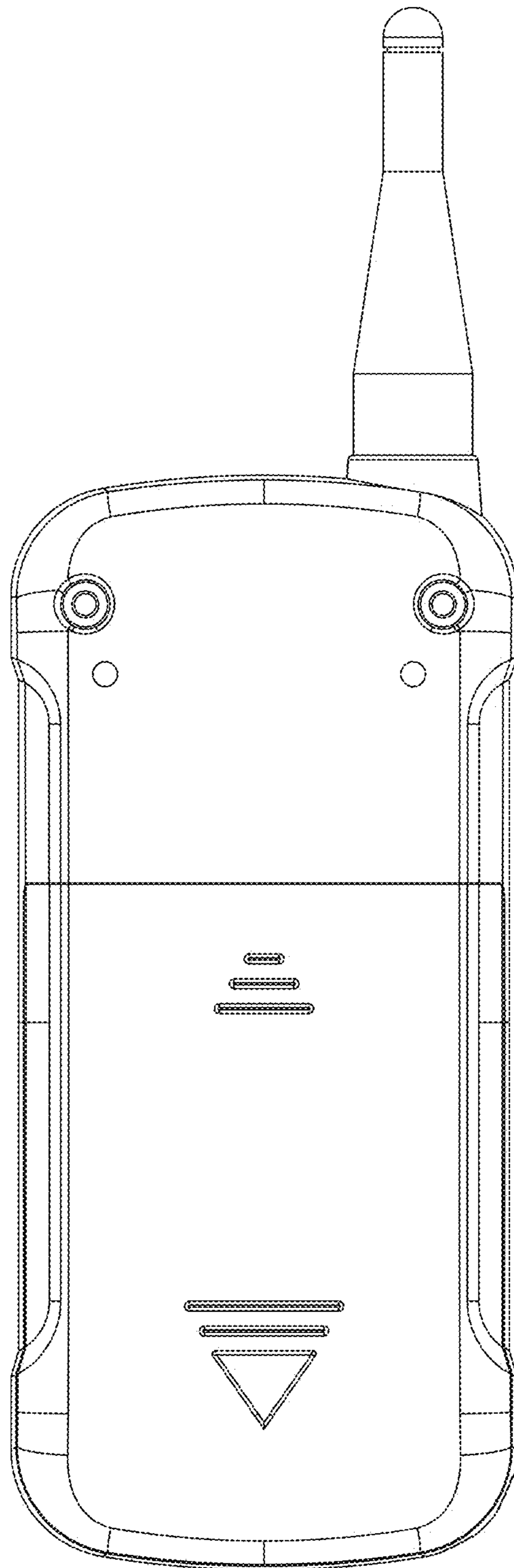


Fig. 2

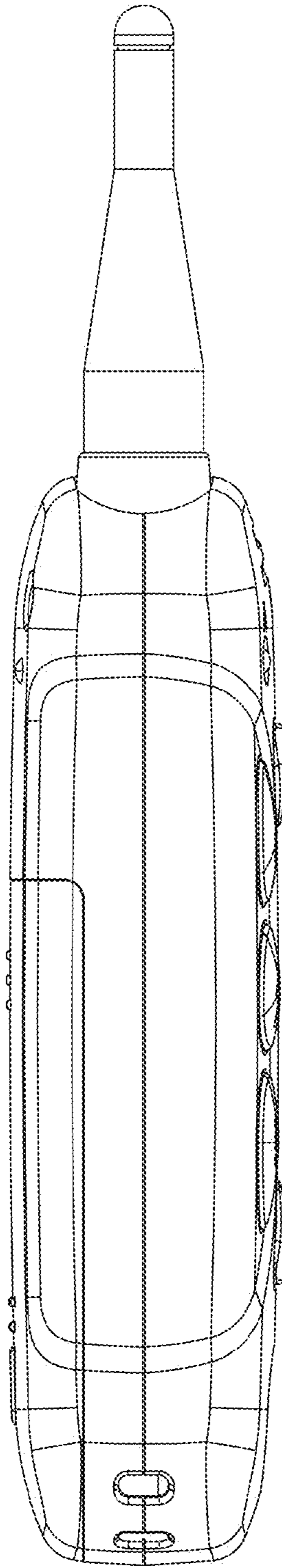


Fig. 3



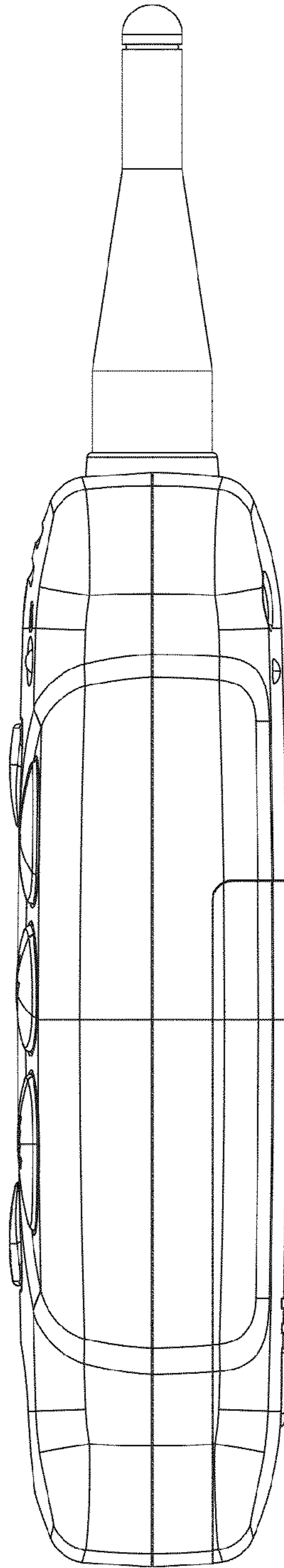


Fig. 4

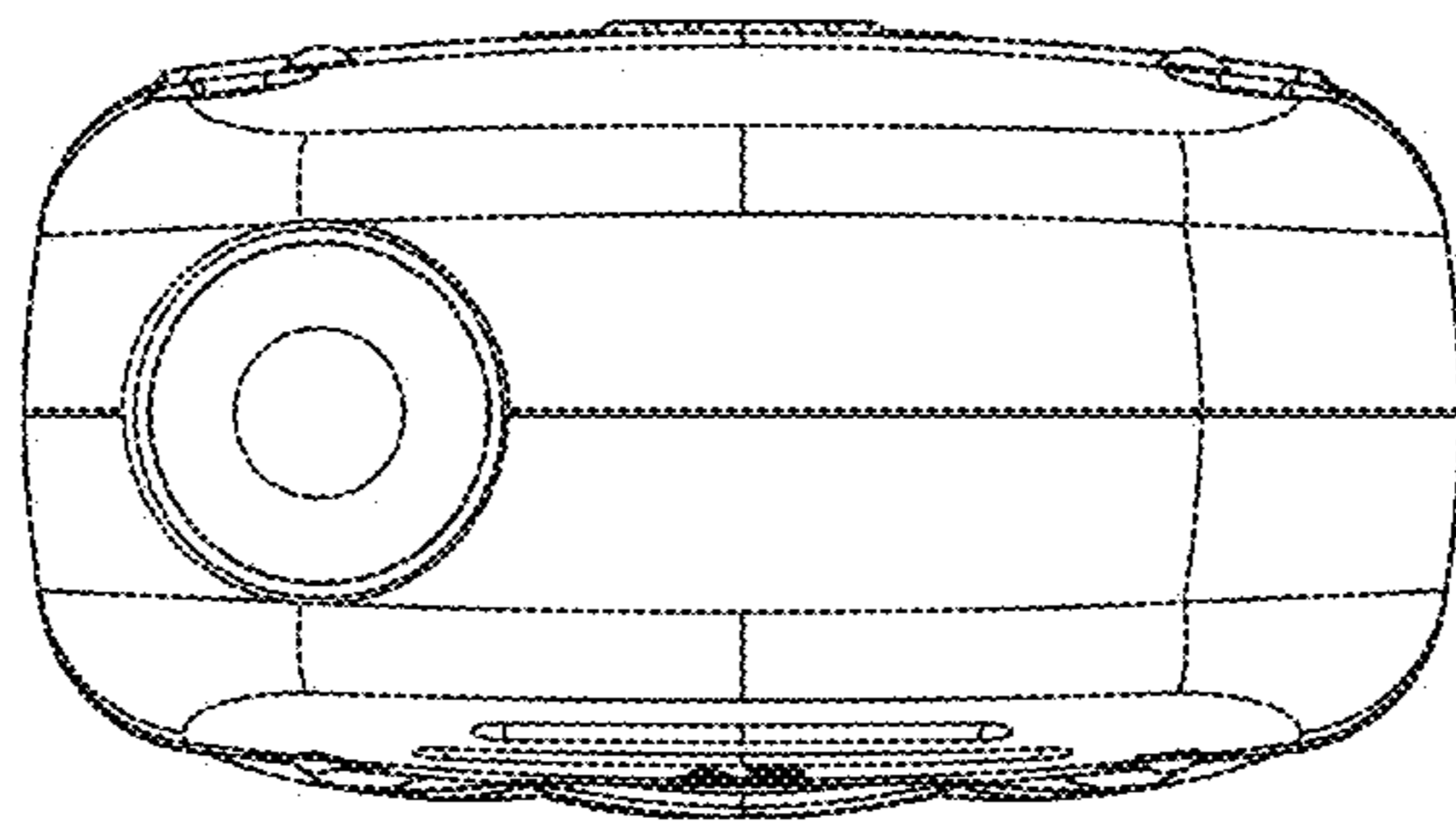


Fig. 5

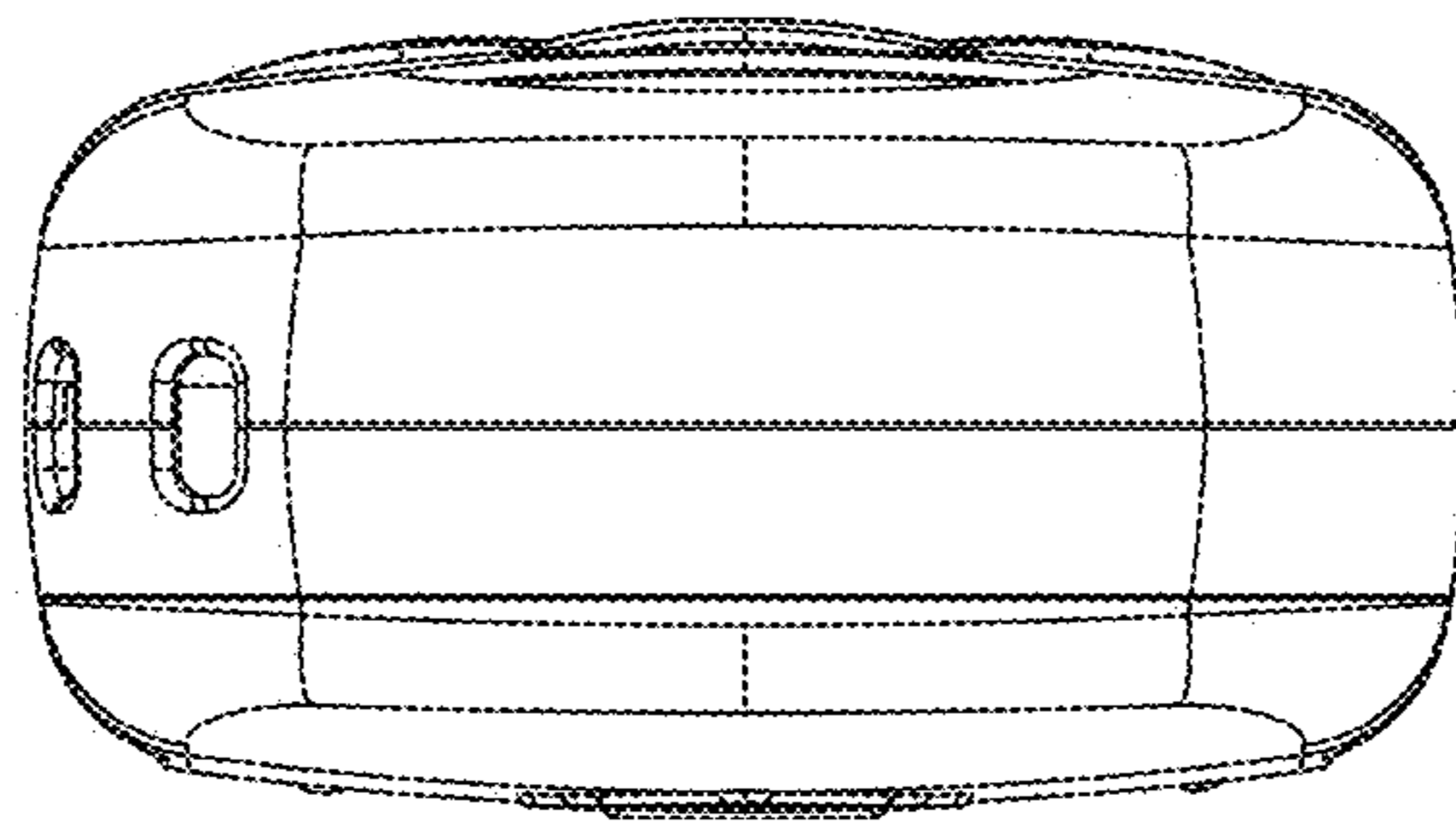


Fig. 6



Fig. 7





Fig. 8

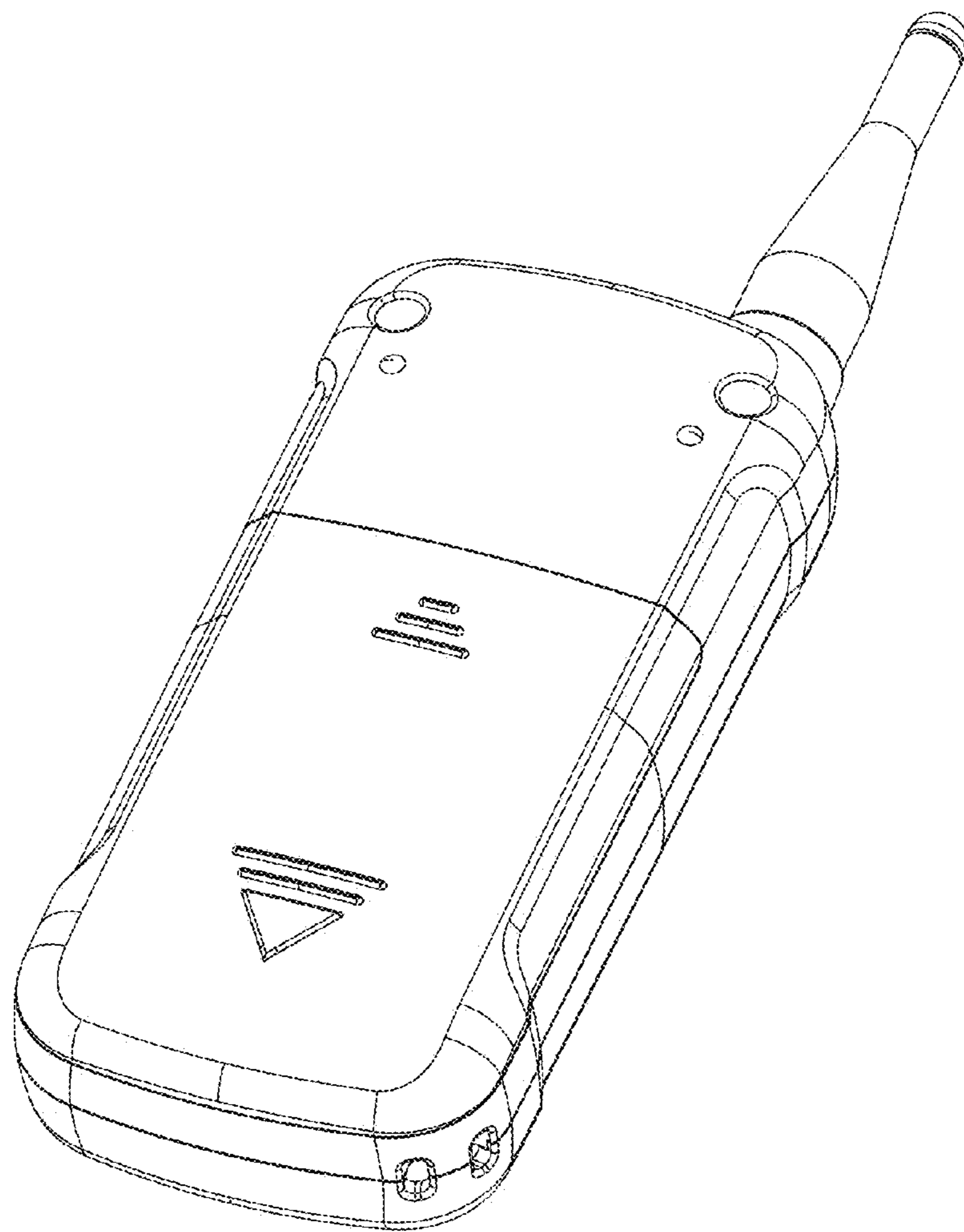


Fig. 9