



US00D711846S

(12) **United States Design Patent**  
**May et al.**

(10) **Patent No.:** **US D711,846 S**  
(45) **Date of Patent:** **\*\* Aug. 26, 2014**

(54) **PORTABLE COMMUNICATIONS DEVICE**

(71) Applicant: **Harris Corporation**, Melbourne, FL (US)

(72) Inventors: **Paul May**, Forest, VA (US); **Jonathan Black**, Lynchburg, VA (US); **Matthew R. Fallows**, Fairport, NY (US)

(73) Assignee: **Harris Corporation**, Melbourne, FL (US)

(\*\*) Term: **14 Years**

(21) Appl. No.: **29/440,319**

(22) Filed: **Dec. 20, 2012**

(51) **LOC (10) Cl.** ..... **14-03**

(52) **U.S. Cl.**  
USPC ..... **D14/138 G**

(58) **Field of Classification Search**  
CPC . H04M 1/0202; H04M 1/0239; H04M 1/605; H04M 1/0241; H04M 1/022; H04M 1/0214; H04M 1/023; H04M 1/0247; H04M 1/3833; G06F 1/1626; G06F 1/1616; G06F 1/1643; G06F 1/1692; G06F 3/0488; G26F 1/133603; G09G 3/3426  
USPC ..... D14/138 G, 138 AD, 341, 346, 138 R, D14/496, 203.1, 203.4, 203.5, 203.6, 203.7, D14/248, 218; 455/575.1, 556.2, 575.3, 455/575.4; D21/517, 329; 379/433.01, 379/433.04; D10/65, 78; 361/679.3, 679.56  
See application file for complete search history.

(56) **References Cited**

**U.S. PATENT DOCUMENTS**

D347,221 S \* 5/1994 Siddoway ..... D14/138 AB  
D355,181 S \* 2/1995 Siddoway ..... D14/138 G  
D406,834 S \* 3/1999 Metzcus et al. .... D14/138 R  
D408,439 S \* 4/1999 Sirois et al. .... D18/7  
D413,582 S \* 9/1999 Tompkins ..... D14/344

D427,170 S \* 6/2000 Edwards et al. .... D14/138 G  
D469,762 S \* 2/2003 Iwama et al. .... D14/341  
D472,228 S \* 3/2003 Haines et al. .... D14/172  
D578,500 S \* 10/2008 Lee et al. .... D14/138 G  
D608,322 S \* 1/2010 Kim ..... D14/138 G  
D608,331 S \* 1/2010 Kim et al. .... D14/138 AC  
D624,046 S \* 9/2010 Lee et al. .... D14/138 G  
D628,184 S \* 11/2010 Jung et al. .... D14/138 G  
D636,368 S \* 4/2011 Kim ..... D14/138 AD  
D654,465 S \* 2/2012 Salazar et al. .... D14/138 G  
D657,765 S \* 4/2012 Salazar et al. .... D14/138 G  
D677,231 S \* 3/2013 Behling ..... D14/138 G  
D680,986 S \* 4/2013 Huang ..... D14/138 G  
D685,754 S \* 7/2013 Palmer et al. .... D14/138 G  
2006/0166713 A1 \* 7/2006 Yeh et al. .... 455/575.1

**OTHER PUBLICATIONS**

Micromax A60 telephone, announced 2010, [online], [site visited May 29, 2014]. Available from Internet, <URL: [http://www.gsmarena.com/micromax\\_a60-3678.php](http://www.gsmarena.com/micromax_a60-3678.php)>.\*

(Continued)

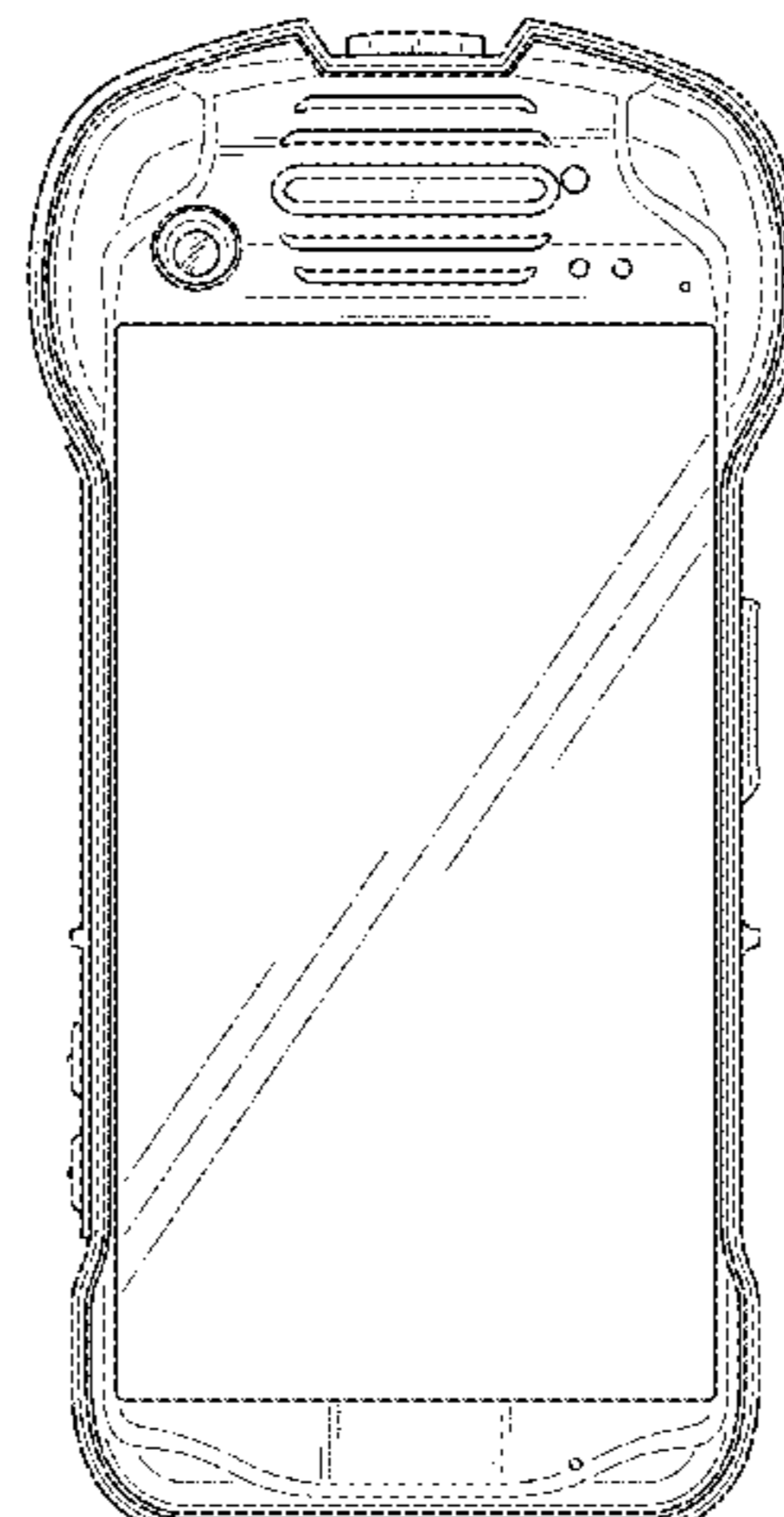
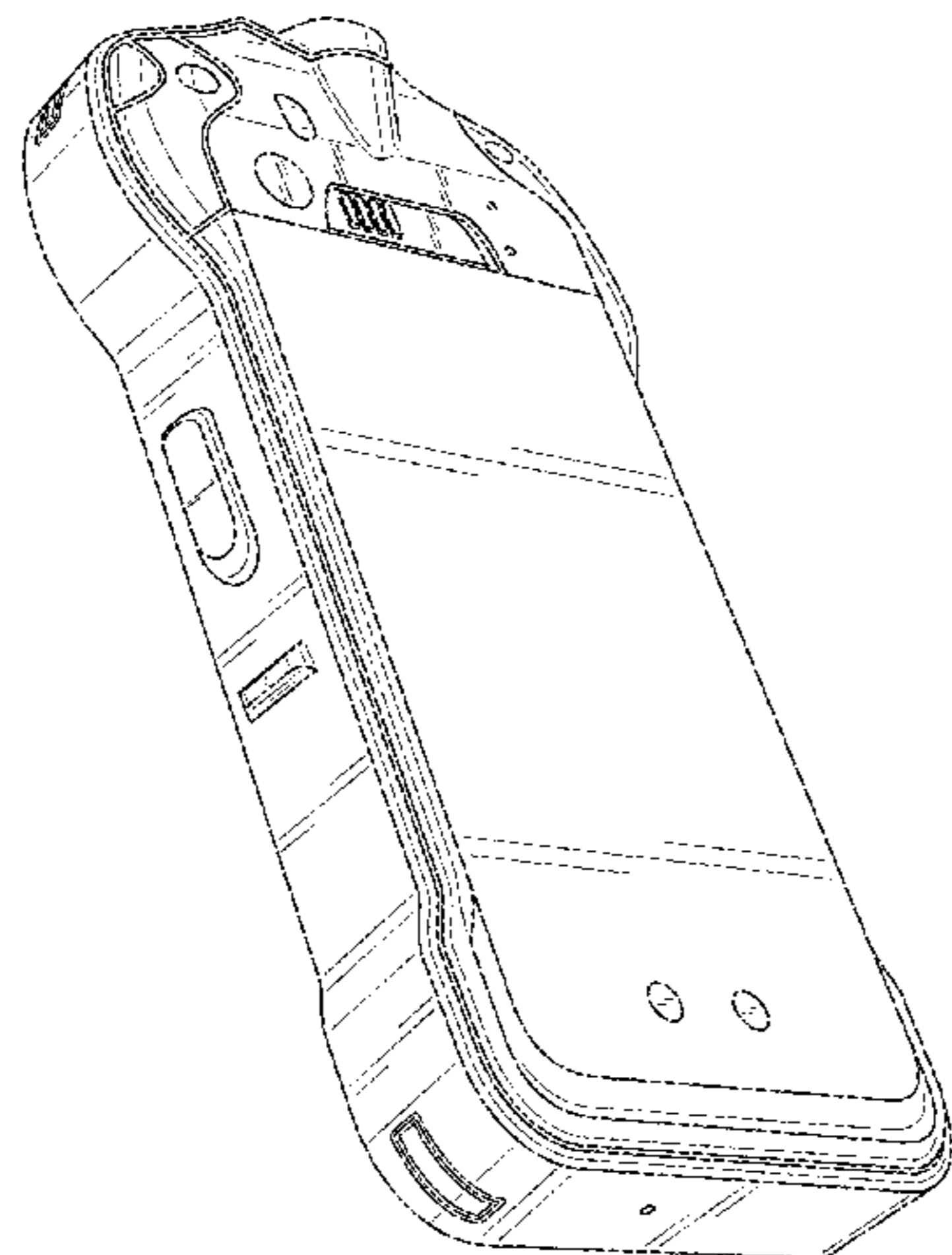
*Primary Examiner* — Jeffrey D Asch  
(74) *Attorney, Agent, or Firm* — Fox Rothschild, LLP; Robert J. Sacco

(57) **CLAIM**  
We claim the ornamental design for a portable communications device, as shown and described.

**DESCRIPTION**

FIG. 1 is a front perspective view of a portable communications device in accordance with the present design;  
FIG. 2 is a back perspective view thereof;  
FIG. 3 is a front view thereof;  
FIG. 4 is a back view thereof;  
FIG. 5 is left side view thereof;  
FIG. 6 is a right side view thereof;  
FIG. 7 is a top view thereof; and,  
FIG. 8 is a bottom view thereof.

**1 Claim, 6 Drawing Sheets**



(56)

**References Cited**

## OTHER PUBLICATIONS

Harris InTouch RPC-200, Rugged Smartphone for Public Safety LTE Networks, posted Sep. 28, 2012, by Al Hilal, amazon.com, [online], [site visited Apr. 18, 2014]. Available from Internet, <URL: <http://www.amazon.com/Military-Standard-Android-Phone-Rugged/dp/B00DIPH9H6>>.\*

Thales TeMax; Product Spec Sheet; [online] [retrieved on Apr. 26, 2013]; retrieved from <<[http://www.thalesgroup.com/Portfolio/Security/20110526\\_DSC\\_Every\\_Talk/](http://www.thalesgroup.com/Portfolio/Security/20110526_DSC_Every_Talk/)>>.

Casio G'zOne Commando; Product Specs; [online] [Retrieved on Apr. 26, 2013]; Retrieved at: <<<http://www.phonescoop.com/phones/pohone.php?p=3062>>>.

Casio G'zOne Brigade; Technical Features Sheet; [online] [retrieved on Apr. 26, 2013]; retrieved at: <<<http://www.phonescoop.com/phones/pohone.php?p=2296>>>.

Motorola Defy; Product Specifications; [online] {retrieved on Apr. 26, 2013} Retrieved from : <<[http://www.gsmarena.com/motorola\\_defy-3514.php](http://www.gsmarena.com/motorola_defy-3514.php)>>.

Sonim XP1300 Core; Technical Specifications; [online] [retrieved on Apr. 26, 2013] retrieved at: [www.somintech.com](http://www.somintech.com).

Sonim XP5300 Force; Technical Specifications; [online] [retrieved on Apr. 26, 2013] retrieved at: [www.somintech.com](http://www.somintech.com).

Motorola LEX 700; Product Spec Sheet; [online] [retrieved on Apr. 26, 2013] Retrieved from [http://www.motorola.com/web/Business/Products/Public\\_Safety\\_LTE/\\_documents/\\_staticfiles/LEX%20700%20Product%20Spec%20Sheet.pdf](http://www.motorola.com/web/Business/Products/Public_Safety_LTE/_documents/_staticfiles/LEX%20700%20Product%20Spec%20Sheet.pdf).

Electrobit Andriod EB Specialized Device; Proroduct Specificaitons; [online] [retrieved on Apr. 26, 2013]. Retrieved from <<[http://www.elektrobit.com/what\\_we\\_deliver/wireless/offering/specialized\\_devide\\_platform](http://www.elektrobit.com/what_we_deliver/wireless/offering/specialized_devide_platform)>>.

Mitre/GD-JBC-P. Handheld; [online] [retrieved on Apr. 29, 2013]; Retrieved at: <<<http://www.dsjournal.com/armyseeksheud.html>>>.

\* cited by examiner

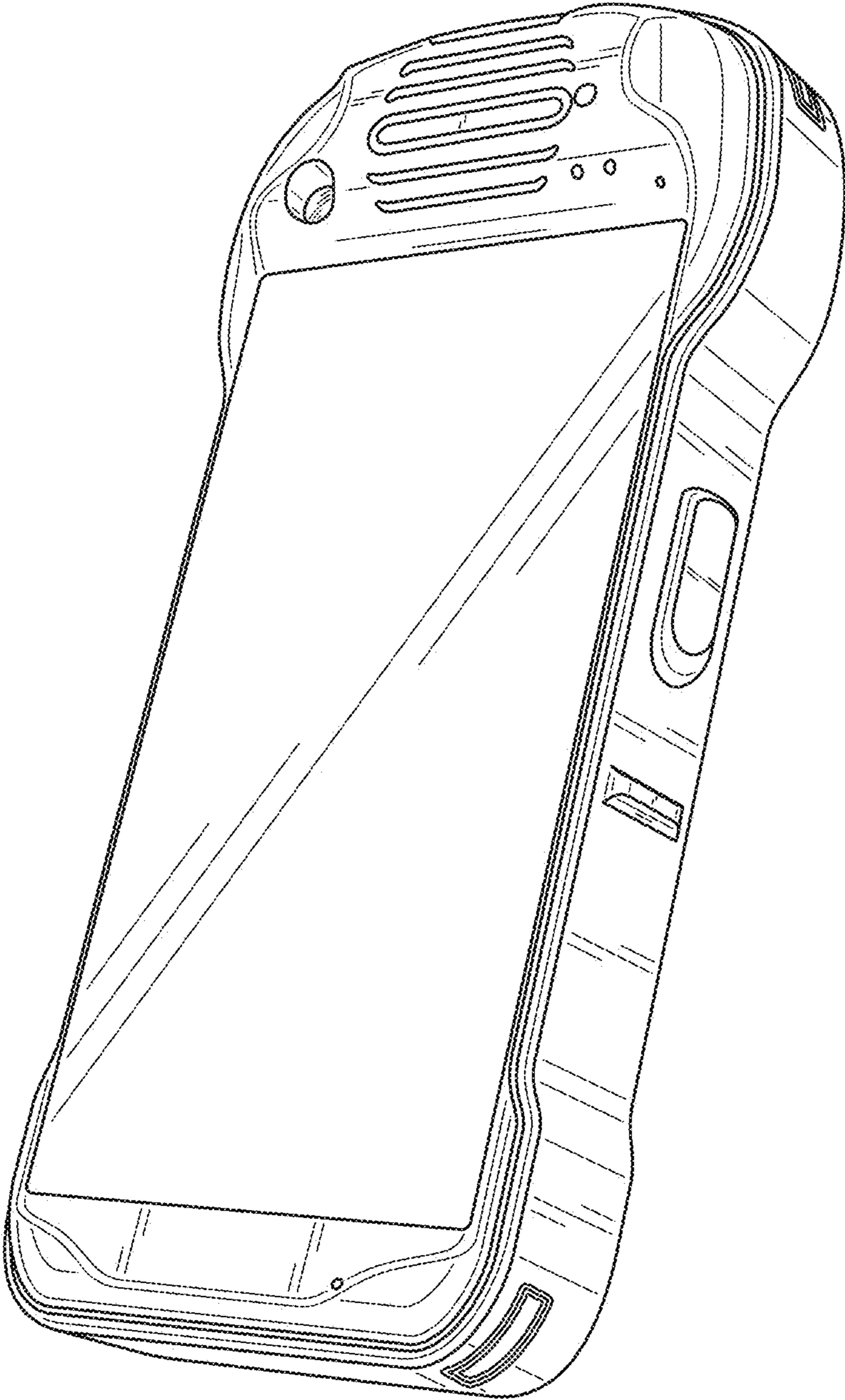


FIG. 1

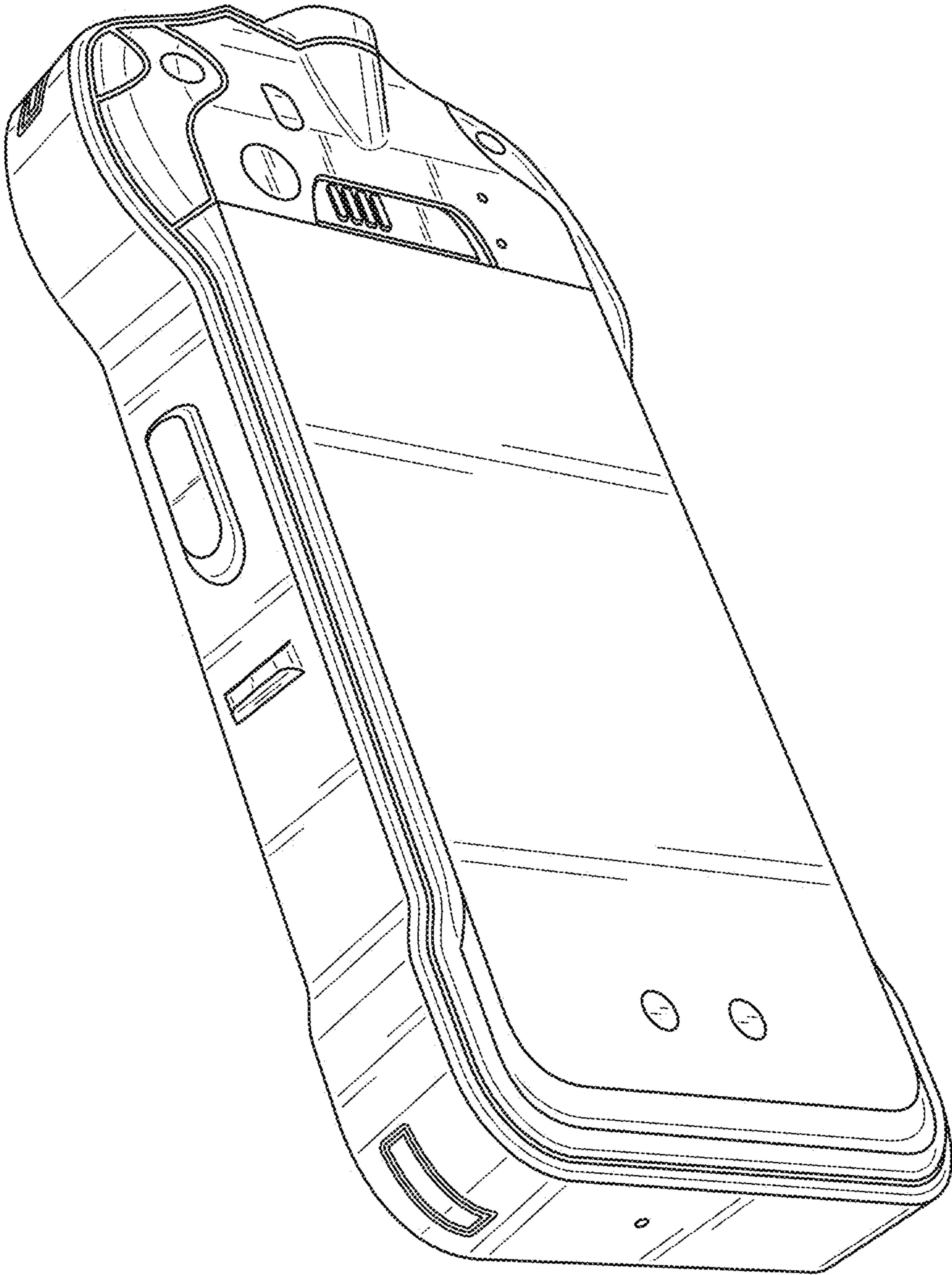


FIG. 2

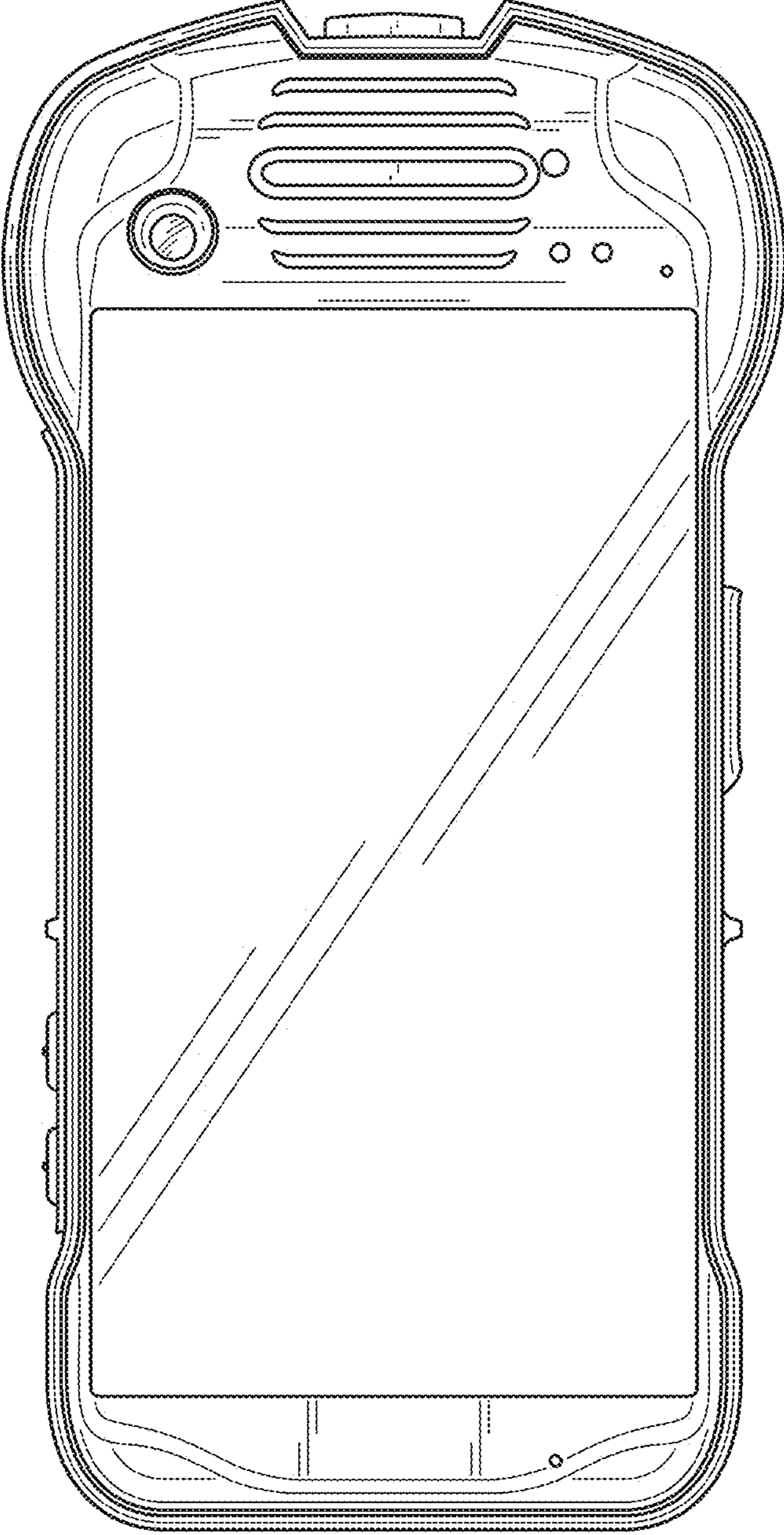


FIG. 3

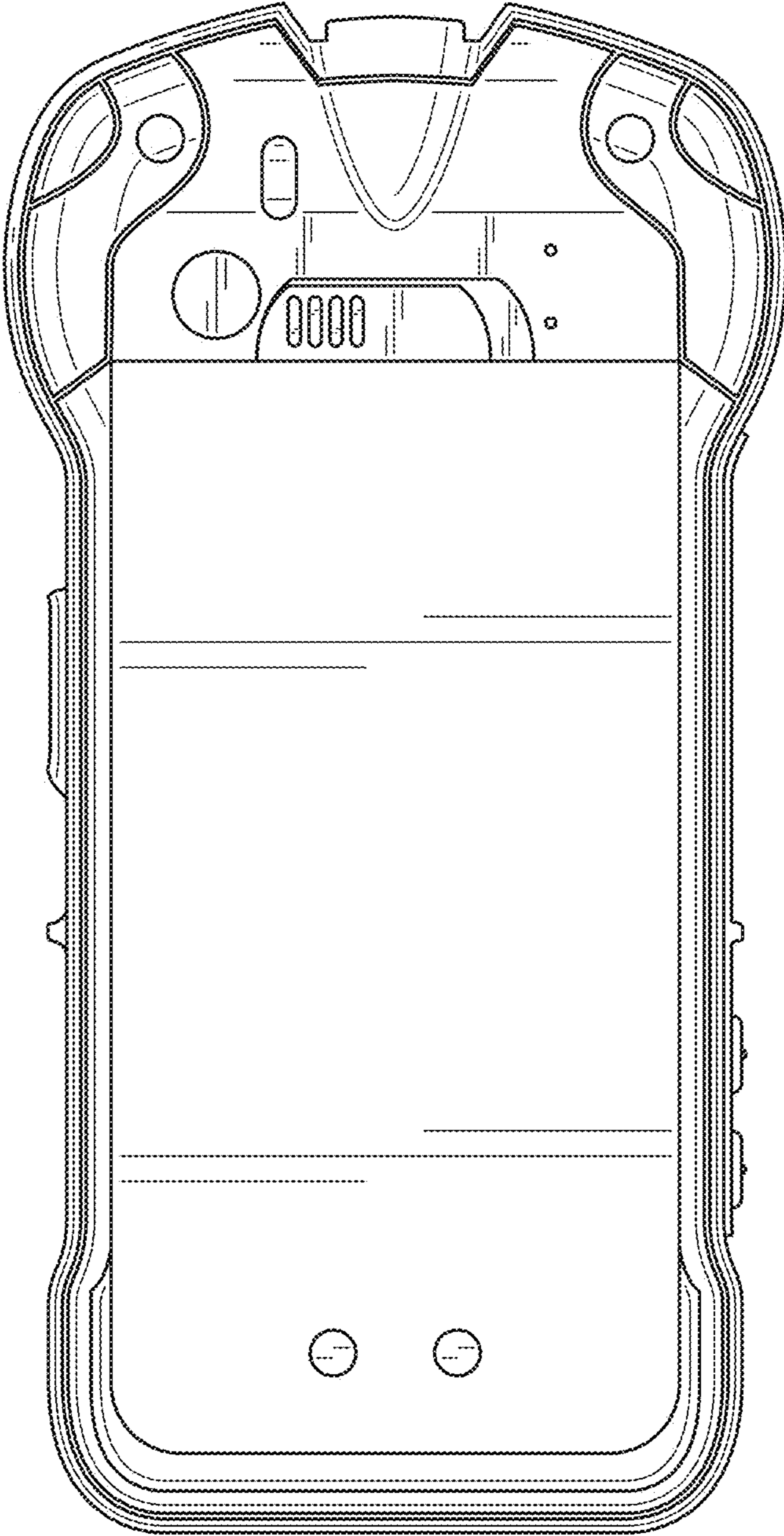


FIG. 4

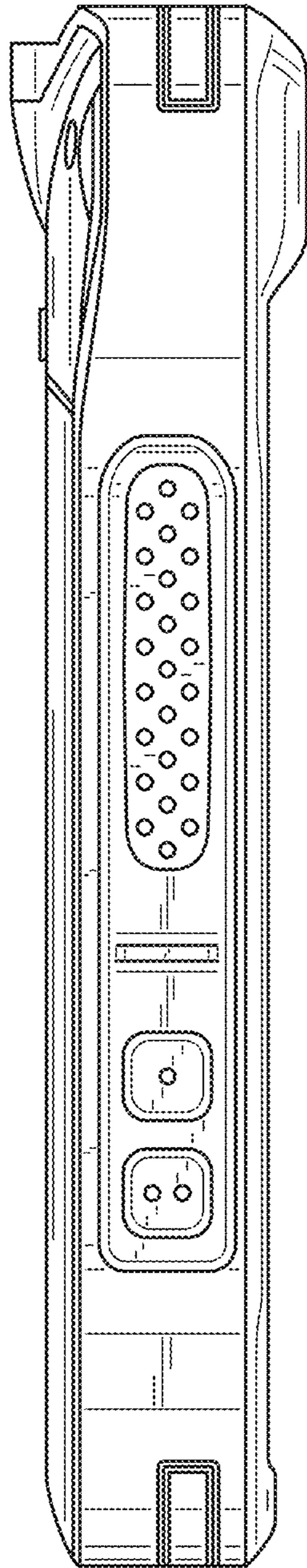


FIG. 5

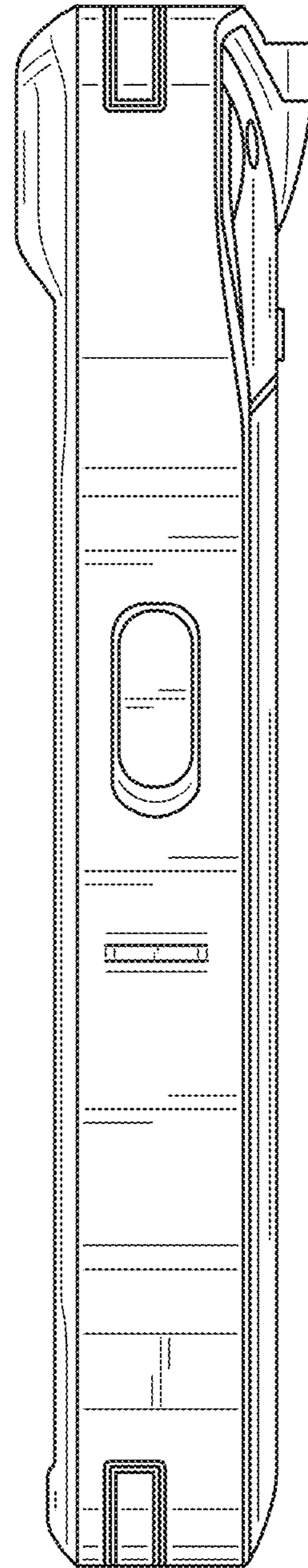


FIG. 6

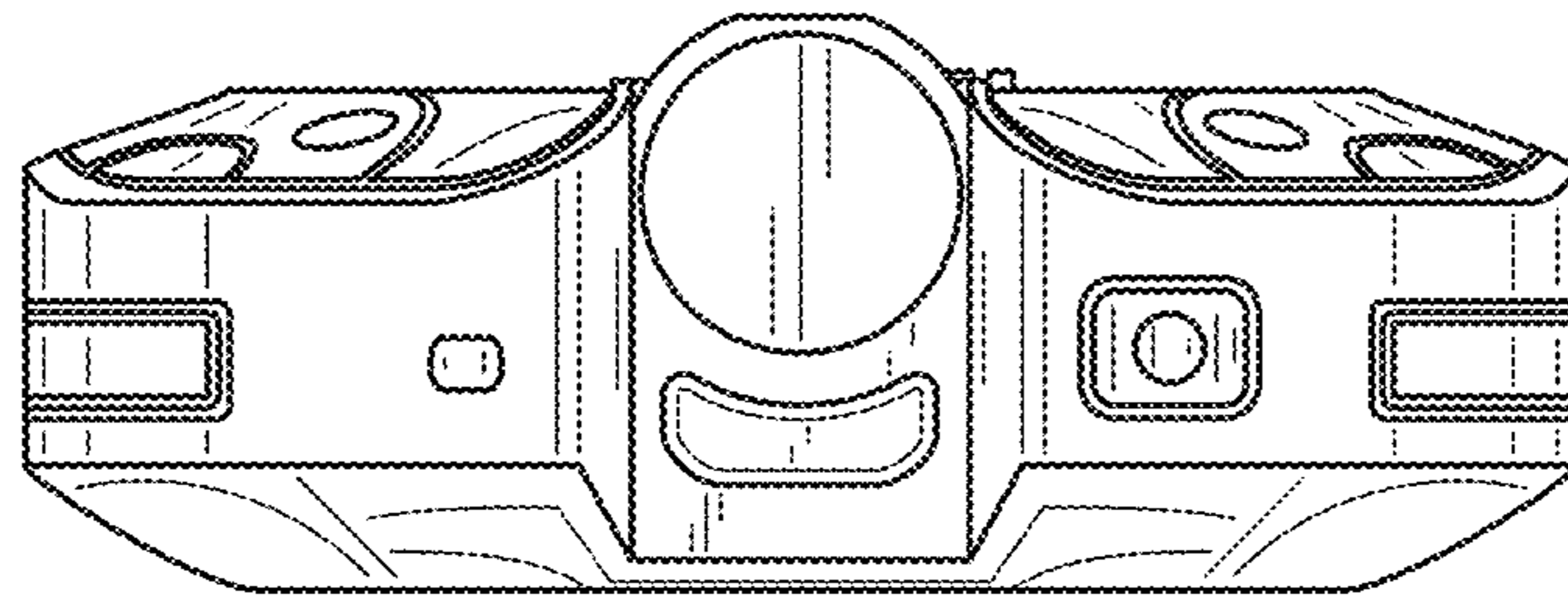


FIG. 7

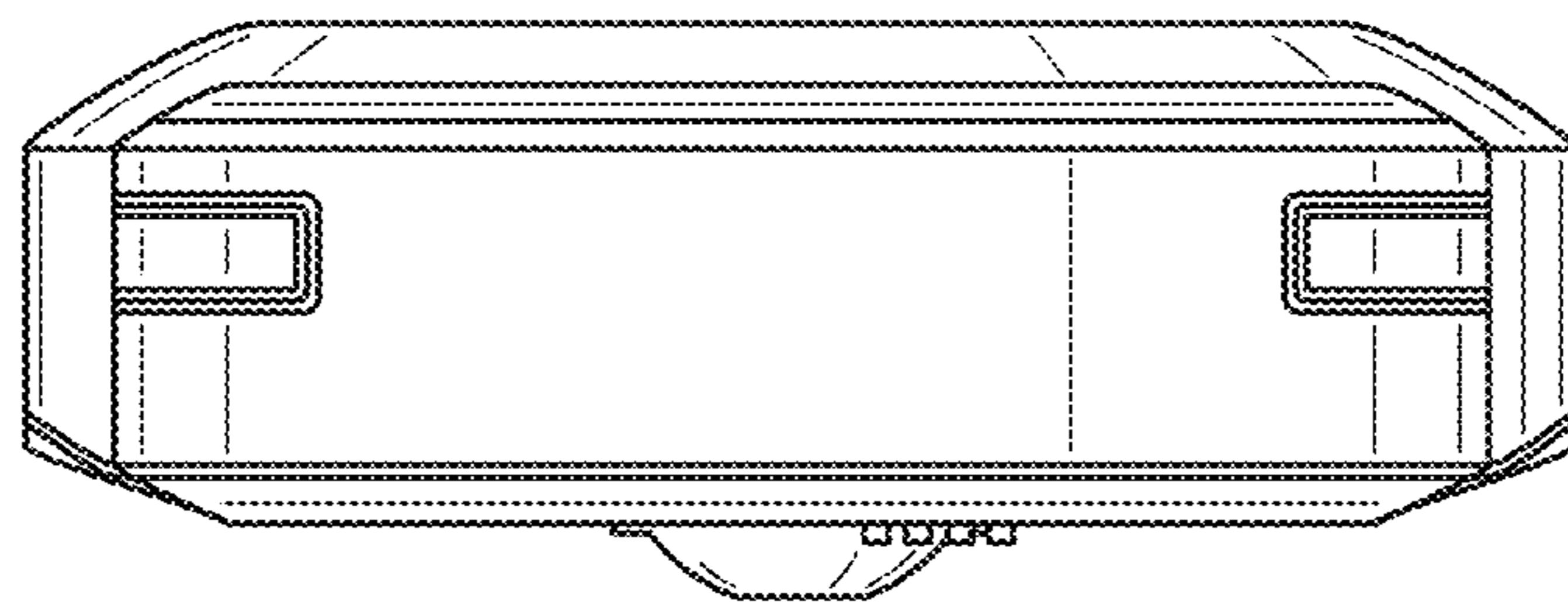


FIG. 8