



US00D711845S

(12) **United States Design Patent**
Skiadiotis et al.

(10) **Patent No.:** **US D711,845 S**

(45) **Date of Patent:** **** Aug. 26, 2014**

(54) **DISPLAY**

(71) Applicant: **Astro Rating System LLC**, Treasure Island, FL (US)

(72) Inventors: **Lefteris Skiadiotis**, Treasure Island, FL (US); **Eric Chan**, New York, NY (US); **Simon Evener**, New York, NY (US); **Silas Warren**, Brooklyn, NY (US); **Alan Laursen**, New York, NY (US)

(73) Assignee: **Astro Rating Systems LLC**, Treasure Island, FL (US)

(**) Term: **14 Years**

(21) Appl. No.: **29/451,673**

(22) Filed: **Apr. 5, 2013**

(51) **LOC (10) Cl.** **14-03**

(52) **U.S. Cl.**
USPC **D14/126**

(58) **Field of Classification Search**
USPC D14/125-134, 239, 371, 136, 374-377, D14/440, 450, 448, 336, 342, 159; 312/7.2; 348/836, 838, 180, 184, 325, 739; 248/917-924, 465; 345/104, 133, 156, 345/168, 87, 173; D21/329, 515, 577, 622, D21/333, 433, 448, 452, 450, 331, 505; D10/15, 26; 446/484, 175, 356; D6/477, 479, 300

See application file for complete search history.

(56) **References Cited**

U.S. PATENT DOCUMENTS

D531,148 S * 10/2006 Lin D14/126
D576,578 S * 9/2008 Calverley D14/126

D579,886 S * 11/2008 Calverley D14/126
D593,975 S * 6/2009 Yokota et al. D14/126
D611,032 S * 3/2010 Kim D14/188
D626,101 S * 10/2010 Kim et al. D14/126
D670,664 S * 11/2012 Brown D14/126
D695,701 S * 12/2013 Lee et al. D14/126

* cited by examiner

Primary Examiner — Raphael Barkai

(74) *Attorney, Agent, or Firm* — William E. Pelton; Cooper & Dunham LLP

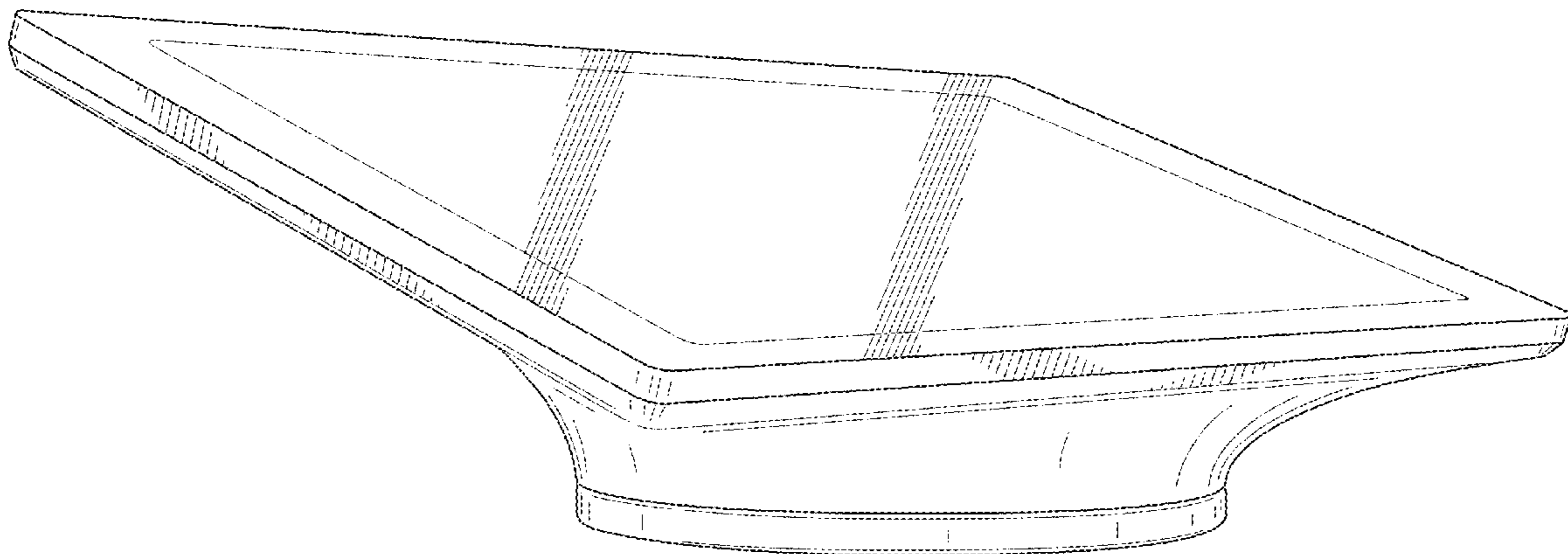
(57) **CLAIM**

The ornamental design for a display, as shown and described.

DESCRIPTION

FIG. 1 is a front perspective view thereof;
FIG. 2 is a front view thereof;
FIG. 3 is a rear view thereof;
FIG. 4 is a right side view thereof;
FIG. 5 is a left side view thereof;
FIG. 6 is a top side view thereof;
FIG. 7 is a bottom side view thereof; and,
FIG. 8 is a rear perspective view thereof.
The broken lines are included for the purpose of illustrating portions of the display that form no part of the claimed design.

1 Claim, 8 Drawing Sheets



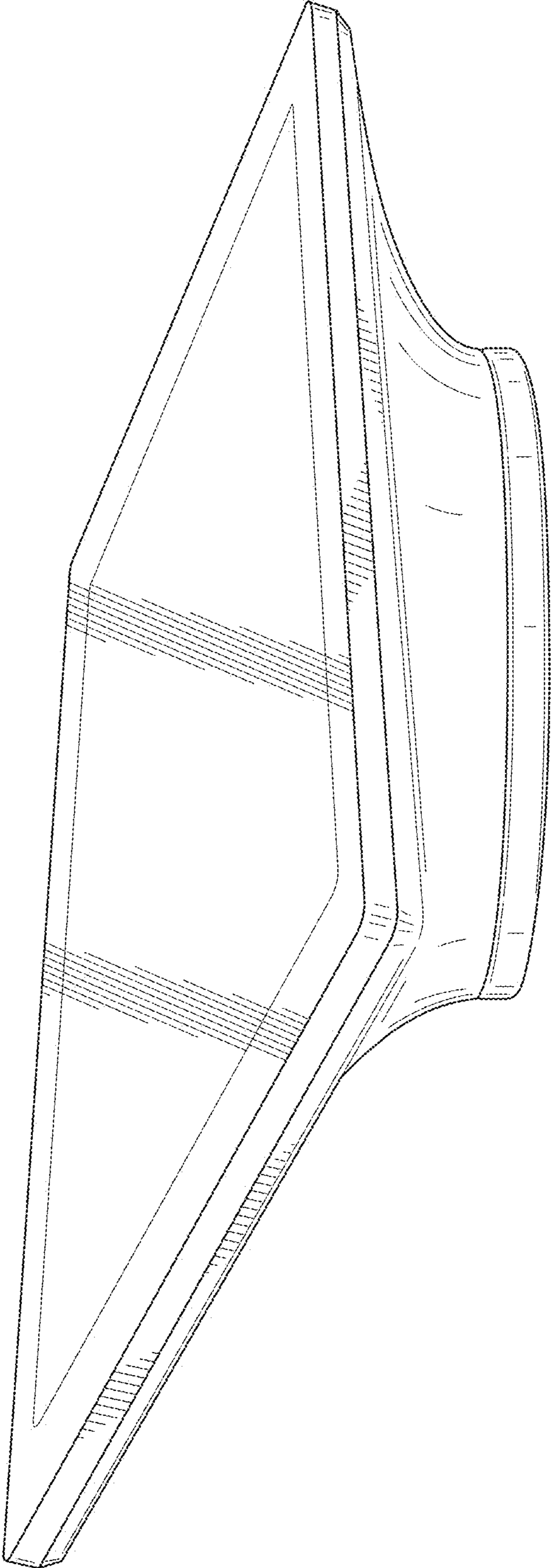


FIG. 1

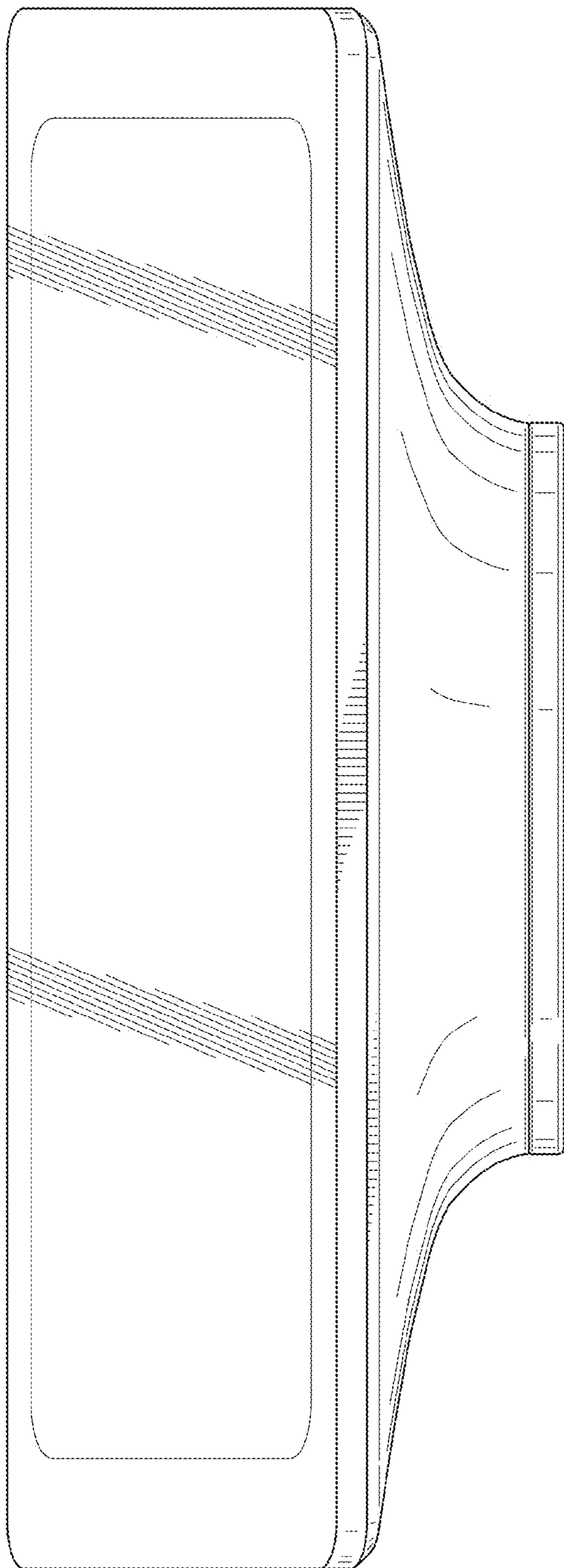


FIG. 2

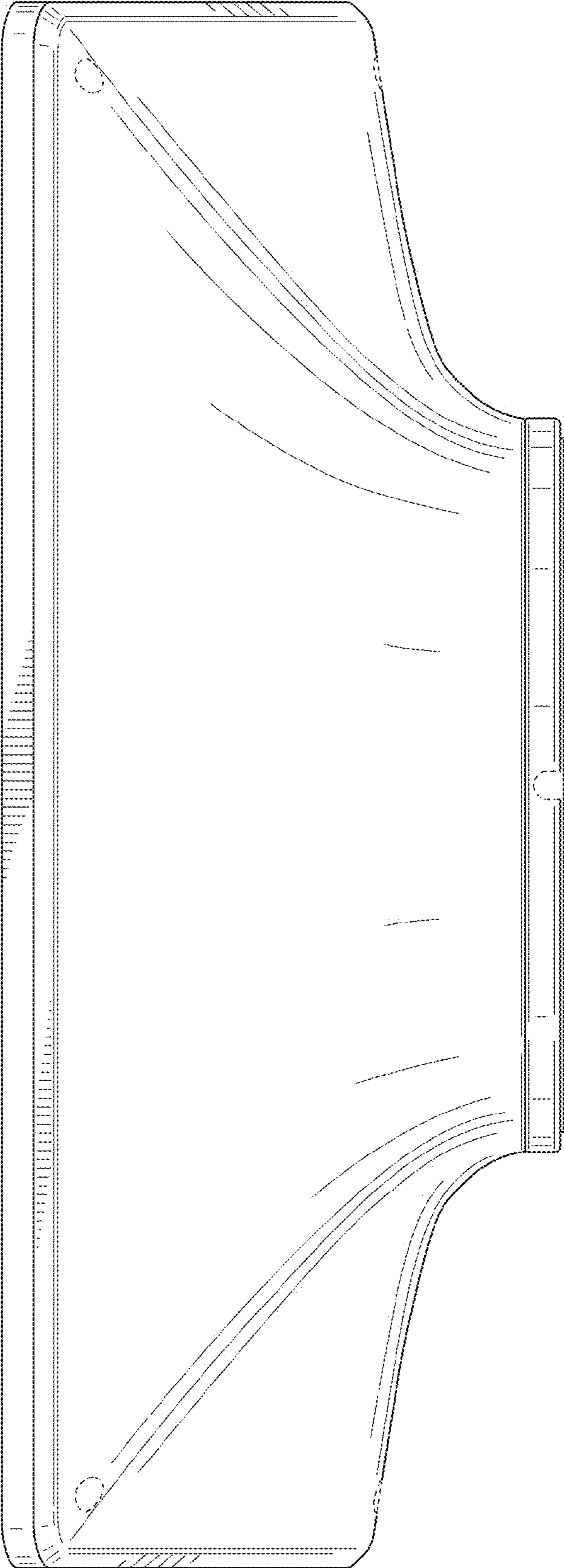


FIG. 3

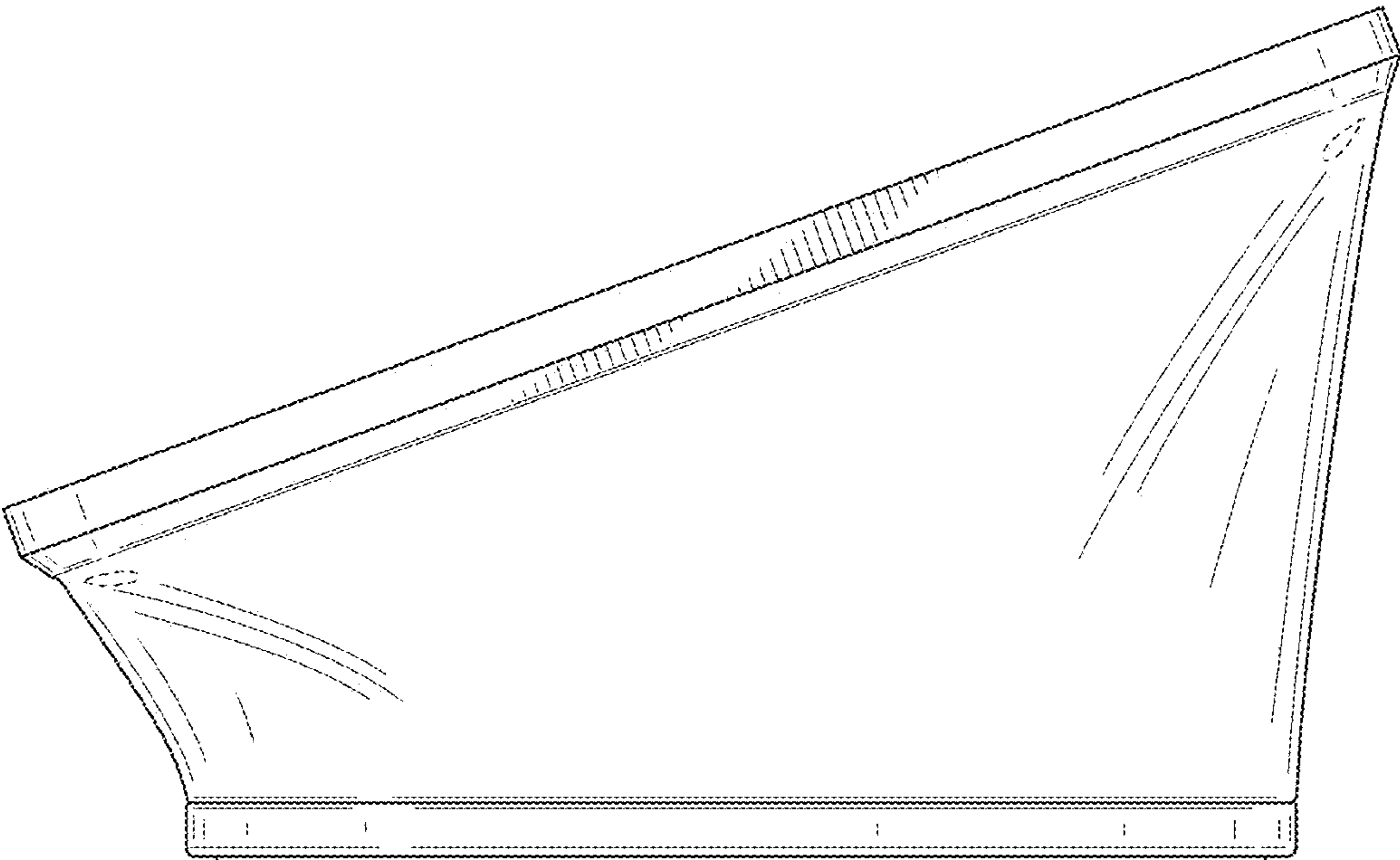


FIG. 4

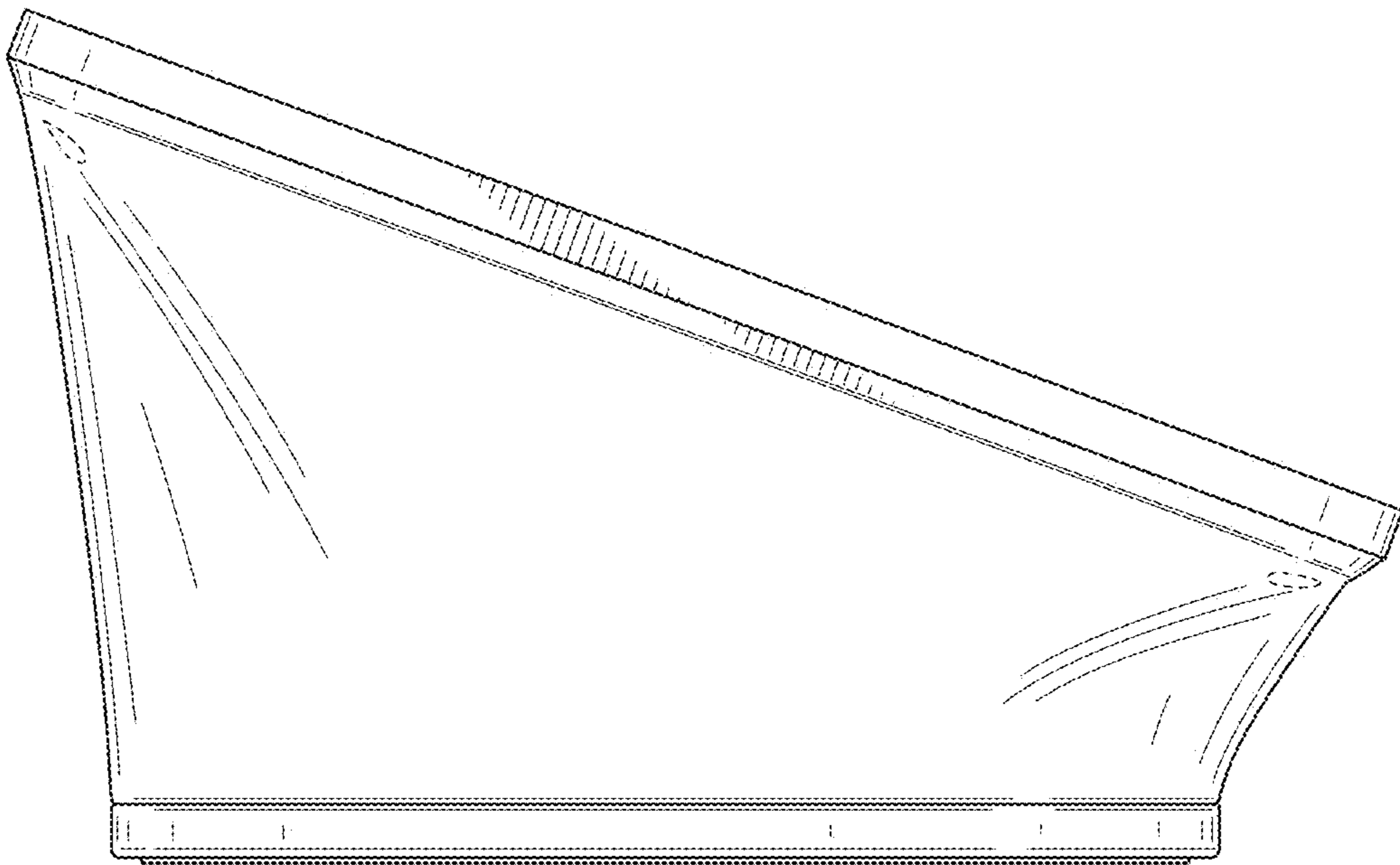


FIG. 5

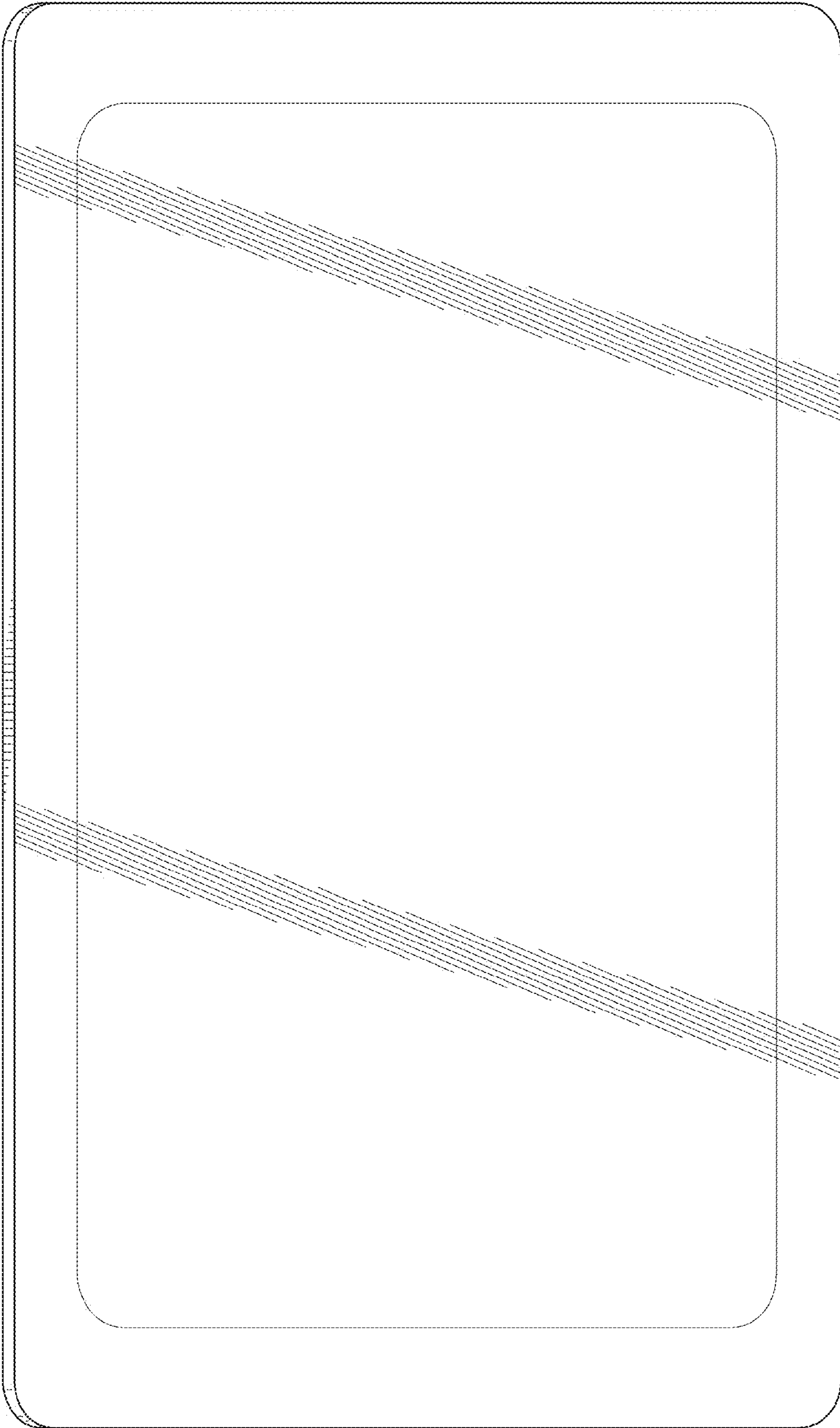


FIG. 6

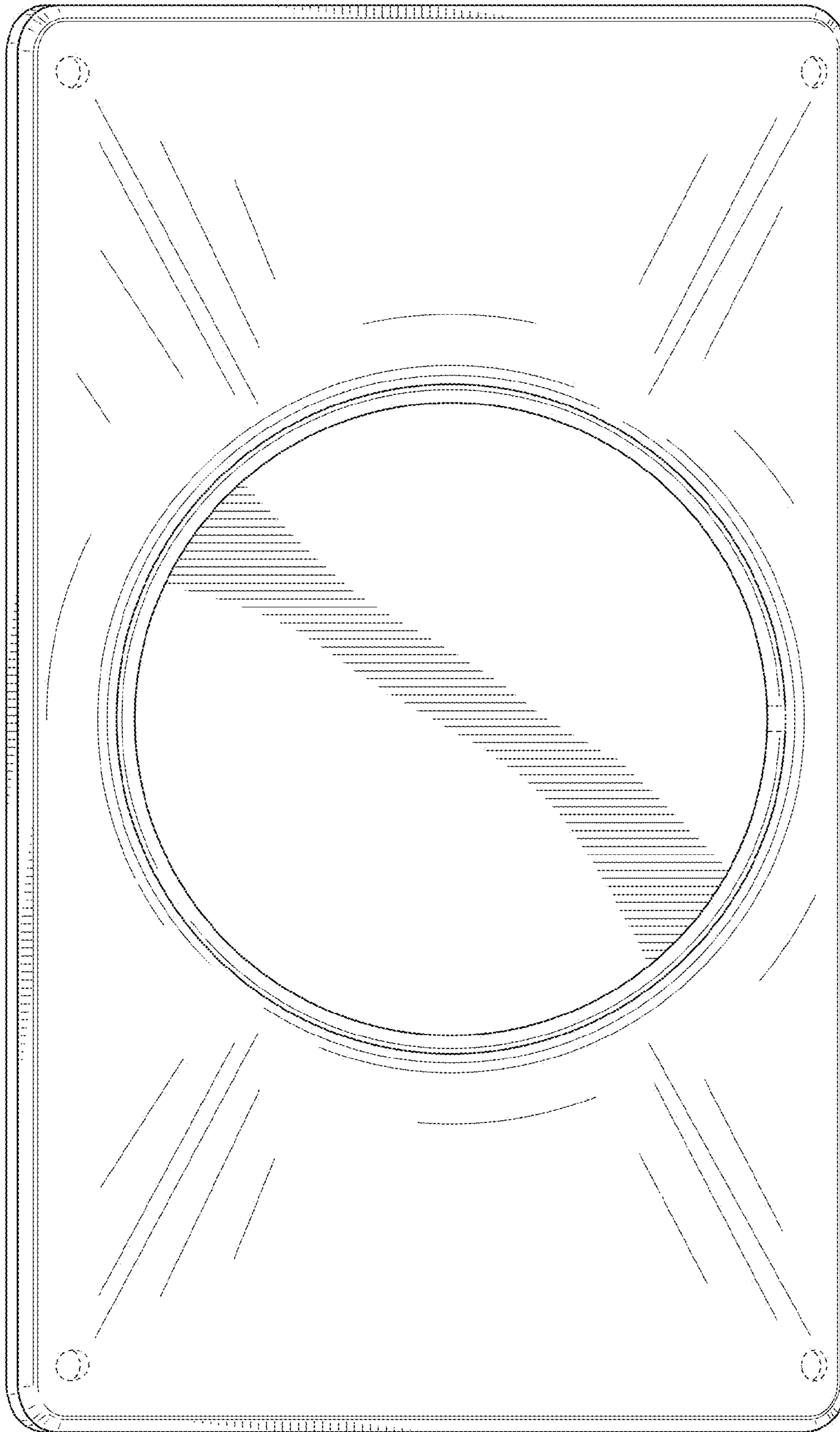


FIG. 7

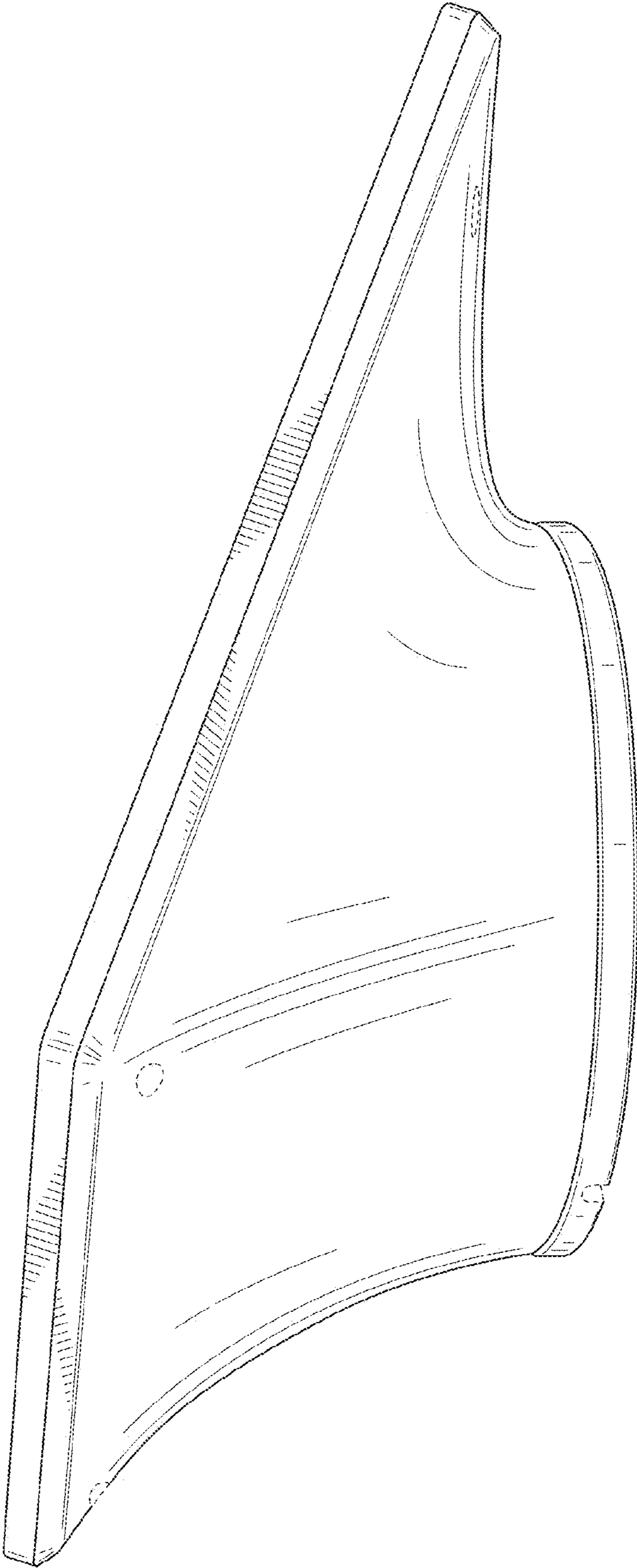


FIG. 8