



US00D711844S

(12) **United States Design Patent**
Chang

(10) **Patent No.:** **US D711,844 S**

(45) **Date of Patent:** **** Aug. 26, 2014**

(54) **DISPLAY**

(75) Inventor: **Chia-Hui Chang**, New Taipei (TW)

(73) Assignee: **AmTran Technology Co., Ltd.**, New Taipei (TW)

(**) Term: **14 Years**

(21) Appl. No.: **29/418,835**

(22) Filed: **Apr. 23, 2012**

(51) **LOC (10) Cl.** **14-03**

(52) **U.S. Cl.**
USPC **D14/126**

(58) **Field of Classification Search**

CPC A47B 19/002; A47B 2023/049; A47B 19/02; H04N 5/64; H04N 5/645; H04N 7/00; F16M 11/00; G09F 15/0012
USPC D14/126, 451, 238, 127, 132; 312/7.2; 348/836, 838, 180, 184, 325, 739; 341/12; 248/917-924, 465, 446; 345/104, 133, 156, 168, 87, 173; 720/605, 600, 655; 455/347; D16/242; D6/333, 364, 653.2, 675, 677.3, D6/708.18; D20/17, 18, 39, 21, 22; 273/148 B; D10/15, 26

See application file for complete search history.

(56) **References Cited**

U.S. PATENT DOCUMENTS

D618,640 S * 6/2010 Won et al. D14/126
D624,512 S * 9/2010 Kim et al. D14/126

D637,574 S * 5/2011 Araki D14/126
D638,390 S * 5/2011 Honda D14/126
D652,396 S * 1/2012 Shimizu et al. D14/126
D694,210 S * 11/2013 Fujii et al. D14/126
D700,155 S * 2/2014 McManigal D14/126
2013/0083254 A1* 4/2013 Murakami et al. 348/836

* cited by examiner

Primary Examiner — Robert M Spear

Assistant Examiner — Eliza Bennett-Hattan

(74) *Attorney, Agent, or Firm* — Jianq Chyun IP Office

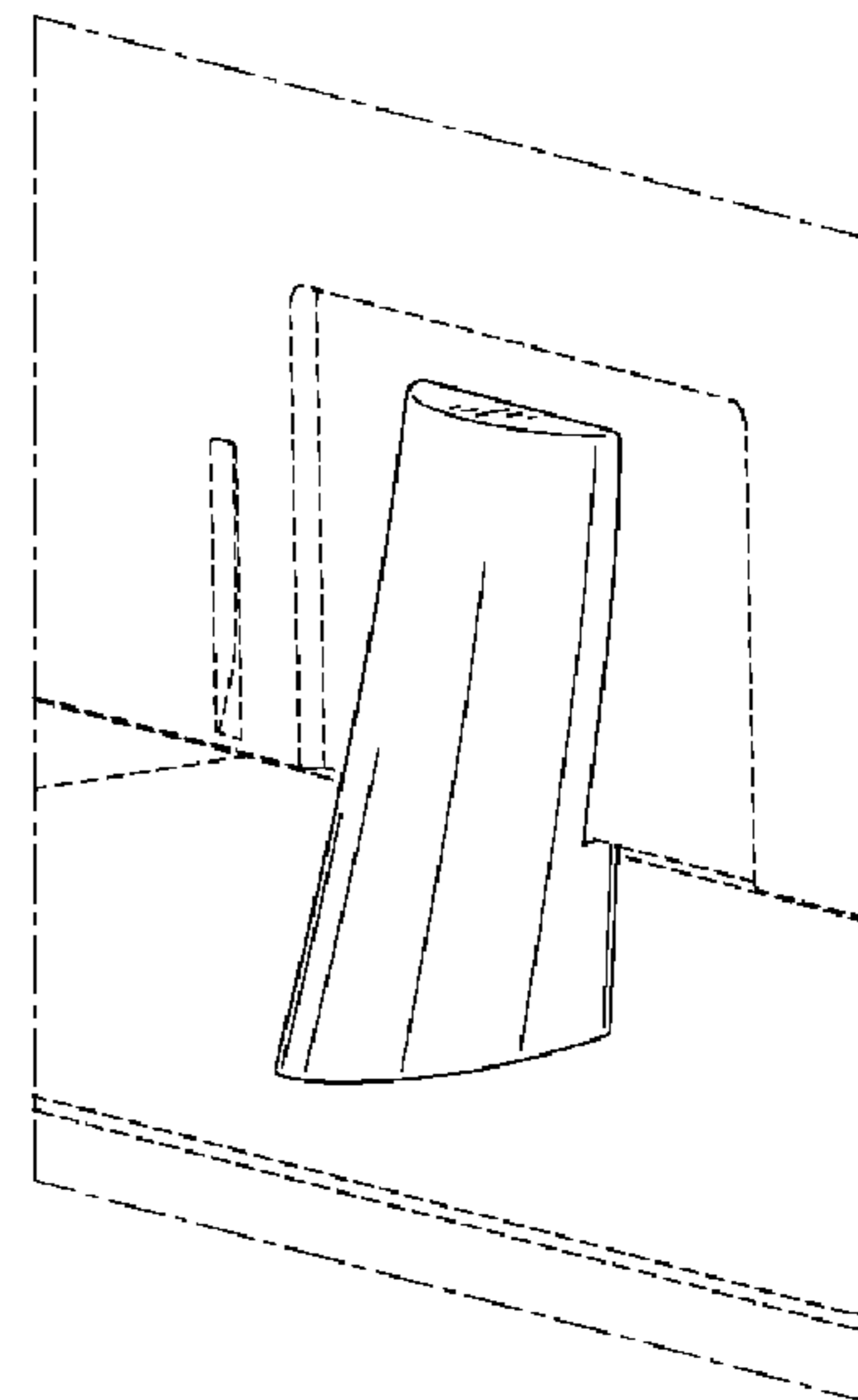
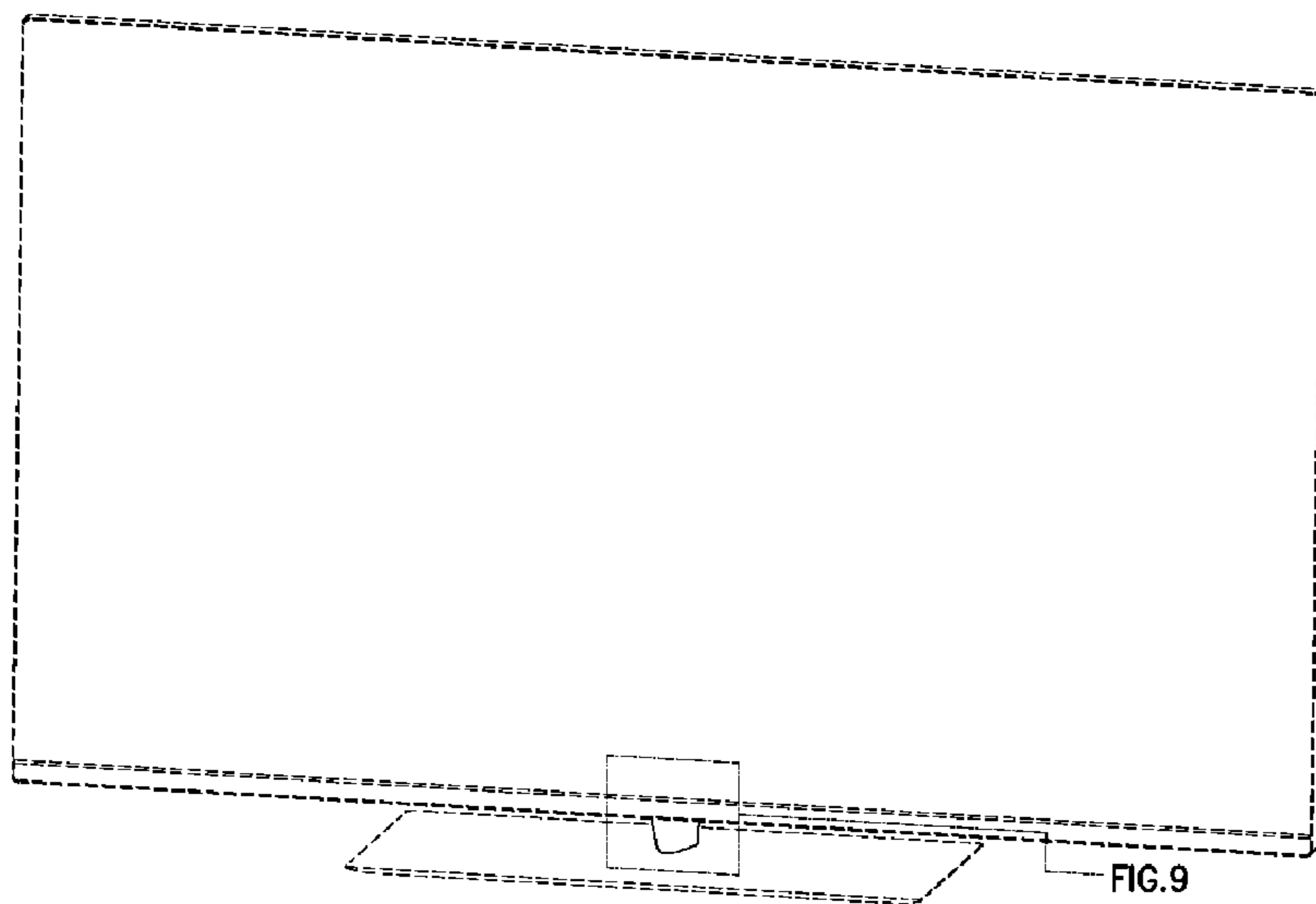
(57) **CLAIM**

The ornamental design for a display, as shown and described.

DESCRIPTION

FIG. 1 is a perspective view of a display showing my new design;
FIG. 2 is another perspective view thereof;
FIG. 3 is a front view thereof;
FIG. 4 is a rear view thereof;
FIG. 5 is a left side view thereof;
FIG. 6 is a right side view thereof;
FIG. 7 is a top view thereof;
FIG. 8 is a bottom view thereof;
FIG. 9 is an enlarged view of an indicated portion of FIG. 1; and,
FIG. 10 is an enlarged view of an indicated portion of FIG. 2.
The enlarged views show additional surface shading that is not shown in FIG. 1 and FIG. 2 for ease of illustration. The broken lines shown in the drawing disclosure illustrate unclaimed portions of the display and form no part of the claimed design.

1 Claim, 10 Drawing Sheets



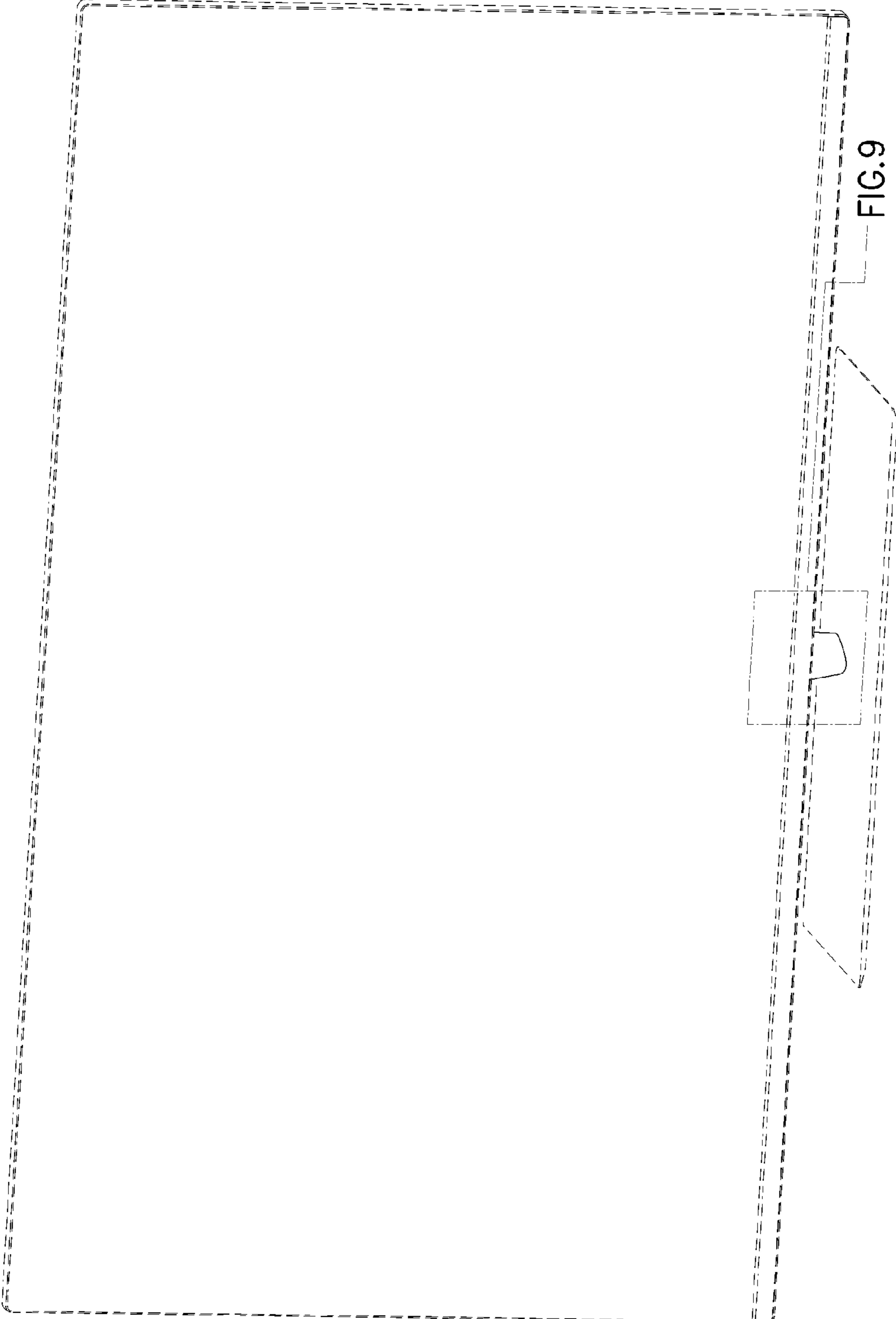
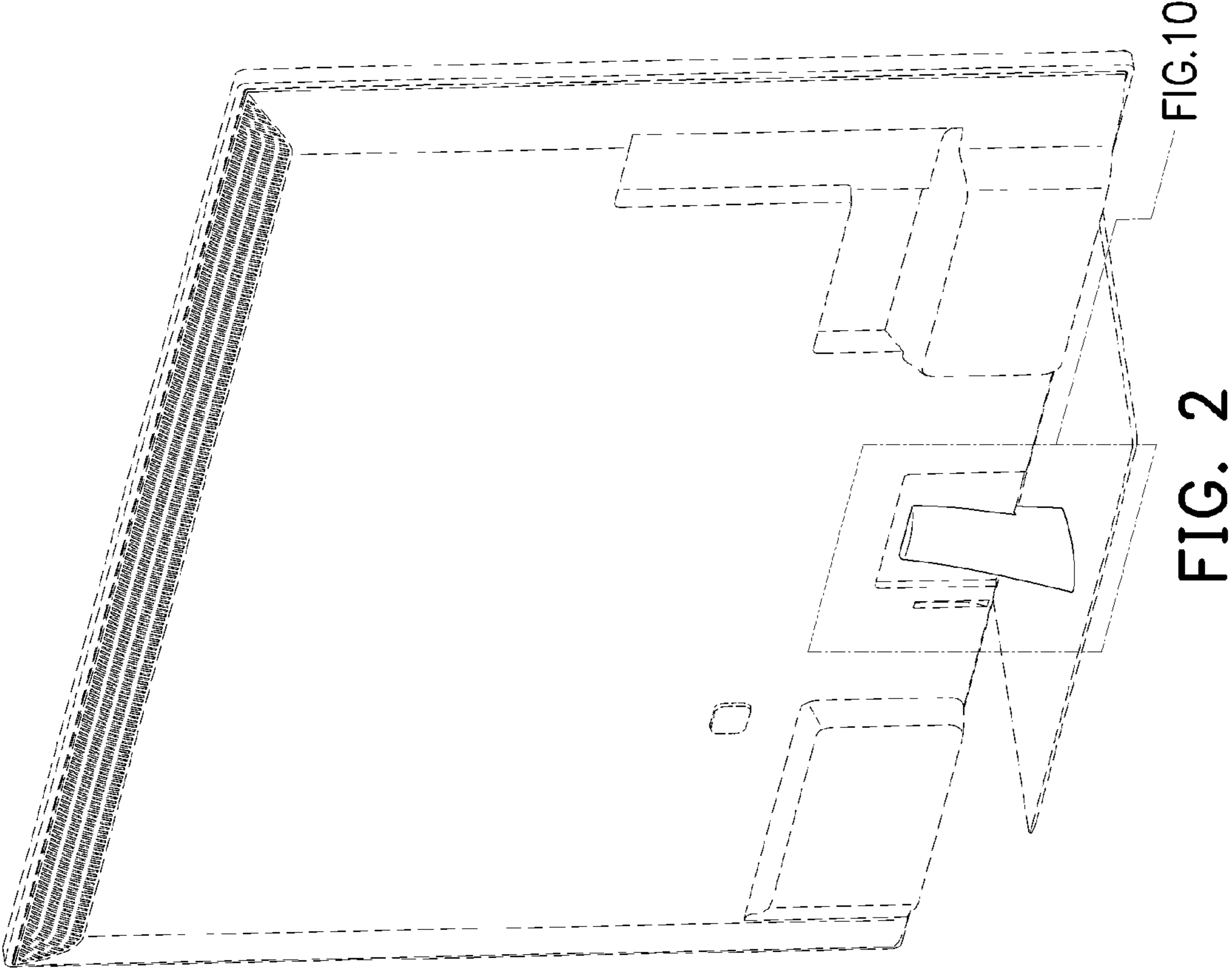


FIG. 1



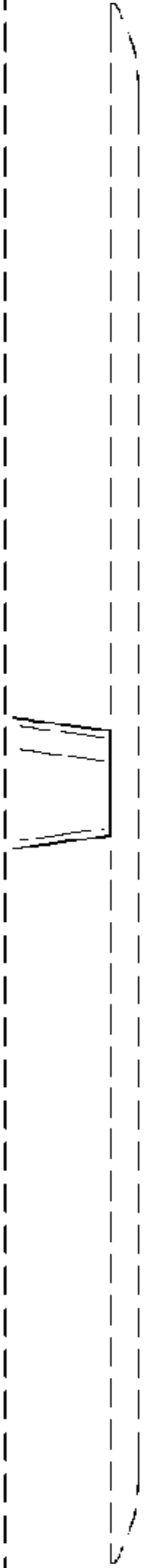


FIG. 3

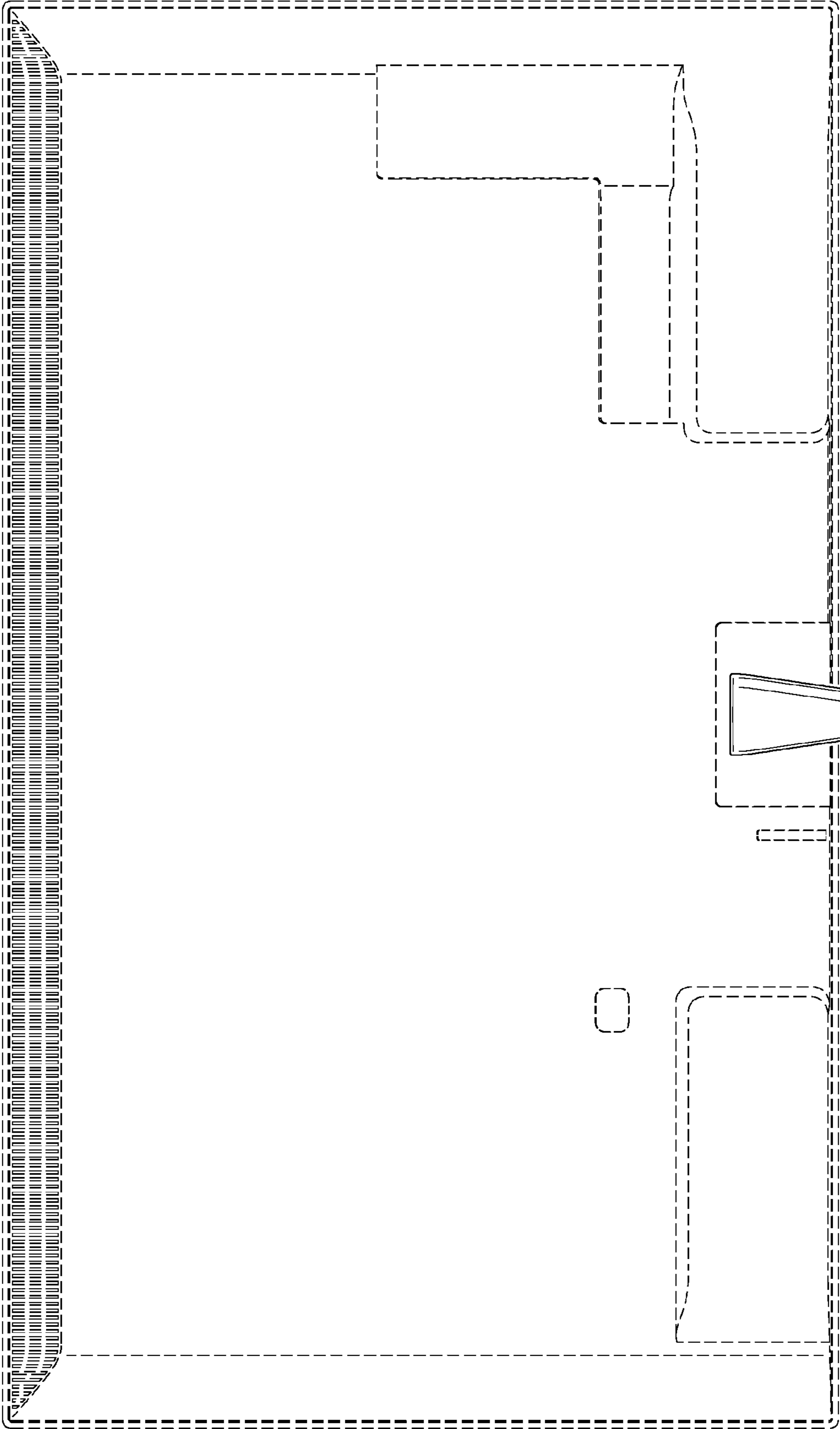


FIG. 4

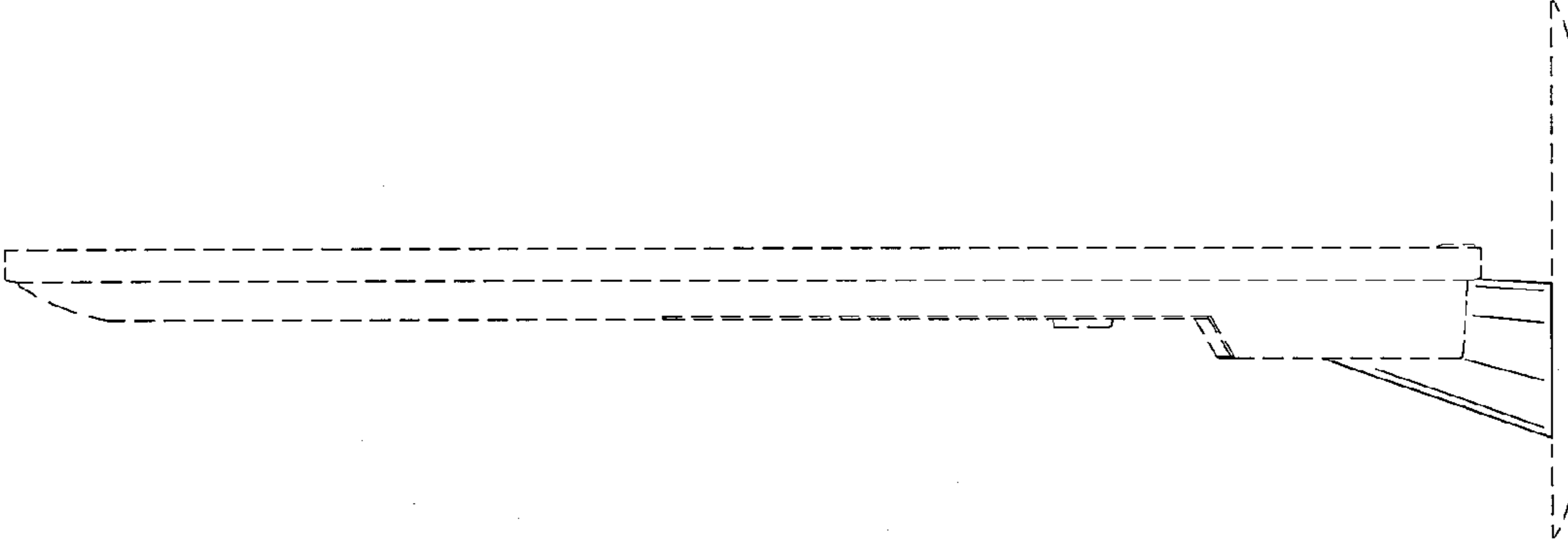


FIG. 5

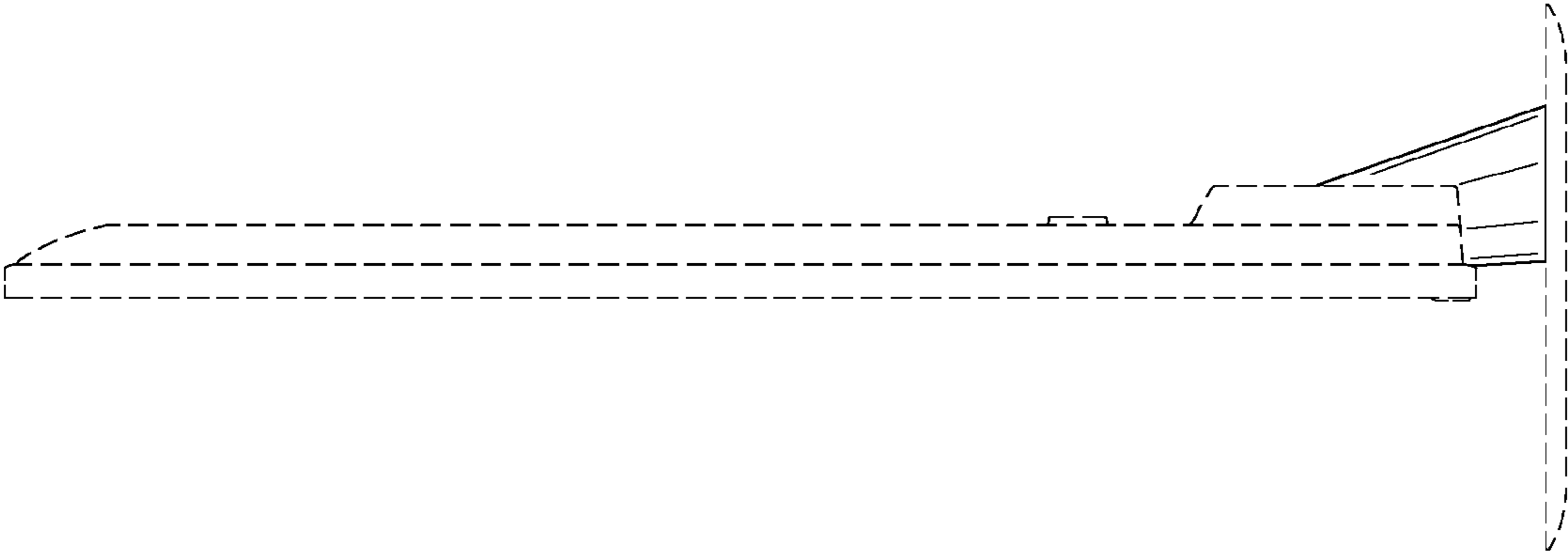


FIG. 6

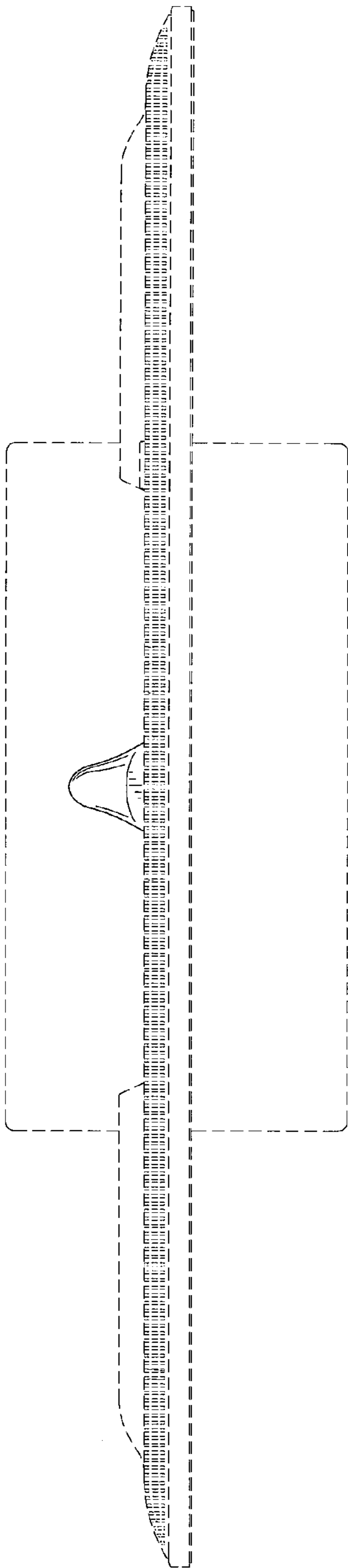


FIG. 7



FIG. 8

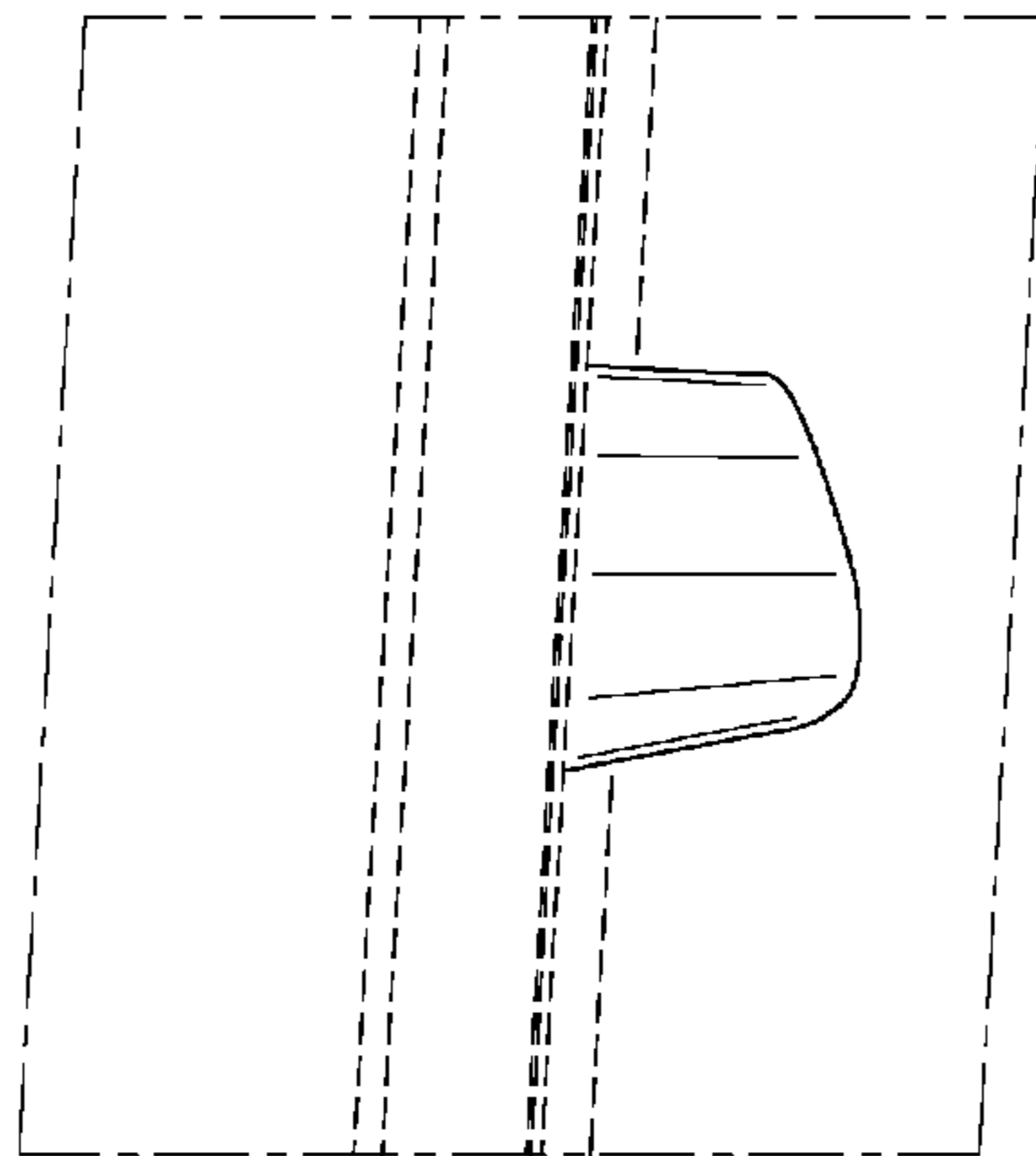


FIG. 9

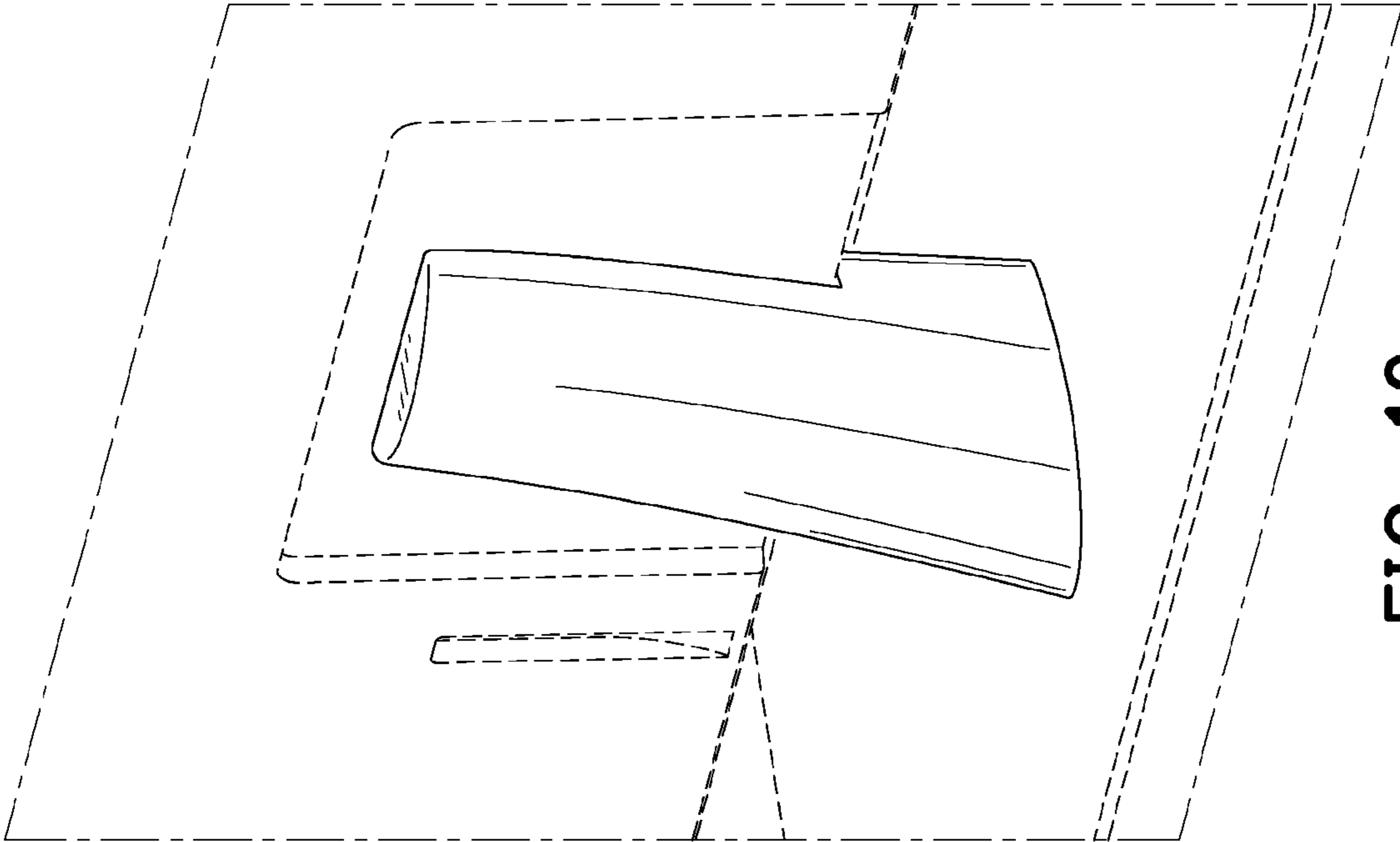


FIG. 10