



US00D711841S

(12) **United States Design Patent**
Britt et al.

(10) **Patent No.:** **US D711,841 S**

(45) **Date of Patent:** **** Aug. 26, 2014**

(54) **LIGHT EMITTING DIODE (LED) PACKAGE**

(75) Inventors: **Jeffrey Carl Britt**, Cary, NC (US);
Michael P. Laughner, Cary, NC (US)

(73) Assignee: **Cree, Inc.**, Durham, NC (US)

(**) Term: **14 Years**

(21) Appl. No.: **29/430,291**

(22) Filed: **Aug. 23, 2012**

(51) **LOC (10) Cl.** **13-03**

(52) **U.S. Cl.**
USPC **D13/180**

(58) **Field of Classification Search**
USPC D13/180; D26/1; 257/79, 80, 81, 88,
257/89, 95, 98, 99, 100, E33.058; 313/483,
313/498, 500; 362/555, 800
See application file for complete search history.

(56) **References Cited**

U.S. PATENT DOCUMENTS

D615,504 S *	5/2010	Keller et al.	D13/180
D628,966 S *	12/2010	Kuwaharada et al.	D13/180
D631,020 S *	1/2011	Chuang et al.	D13/180
D643,381 S	8/2011	Hsieh	
D650,343 S *	12/2011	Andrews et al.	D13/180
D658,139 S *	4/2012	Andrews et al.	D13/180
D660,257 S *	5/2012	Andrews et al.	D13/180
D674,758 S *	1/2013	Wu et al.	D13/180
D675,169 S *	1/2013	Chou	D13/180
2008/0054286 A1 *	3/2008	Loh et al.	257/98
2009/0108281 A1 *	4/2009	Keller et al.	257/98
2010/0252851 A1 *	10/2010	Emerson et al.	257/98
2011/0062482 A1 *	3/2011	Solomensky et al.	257/99
2011/0127912 A1 *	6/2011	Lee et al.	315/32
2011/0220920 A1 *	9/2011	Collins et al.	257/88
2012/0069564 A1	3/2012	Andrews et al.	
2012/0086024 A1	4/2012	Andrews et al.	

2012/0286304 A1 *	11/2012	LeToquin et al.	257/89
2013/0092960 A1 *	4/2013	Wilcox et al.	257/88
2013/0105835 A1 *	5/2013	Wu et al.	257/89

OTHER PUBLICATIONS

Unpublished U.S. Appl. No. 13/471,164, filed May 14, 2012.
Unpublished Design U.S. Appl. No. 29/420,876, filed May 14, 2012.
Unpublished Design U.S. Appl. No. 29/420,874, filed May 14, 2012.

* cited by examiner

Primary Examiner — Selina Sikder

(74) *Attorney, Agent, or Firm* — Withrow & Terranova,
P.L.L.C.; Vincent K. Gustafson

(57) **CLAIM**

The ornamental design for a light emitting diode (LED) package, as shown and described.

DESCRIPTION

FIG. 1 is a perspective view of the light emitting diode LED package;

FIG. 2 is a top plan view of the light emitting diode LED package of FIG. 1;

FIG. 3 is a bottom plan view of the light emitting diode LED package of FIGS. 1-2;

FIG. 4 is a front elevation view of the light emitting diode LED package of FIGS. 1-3;

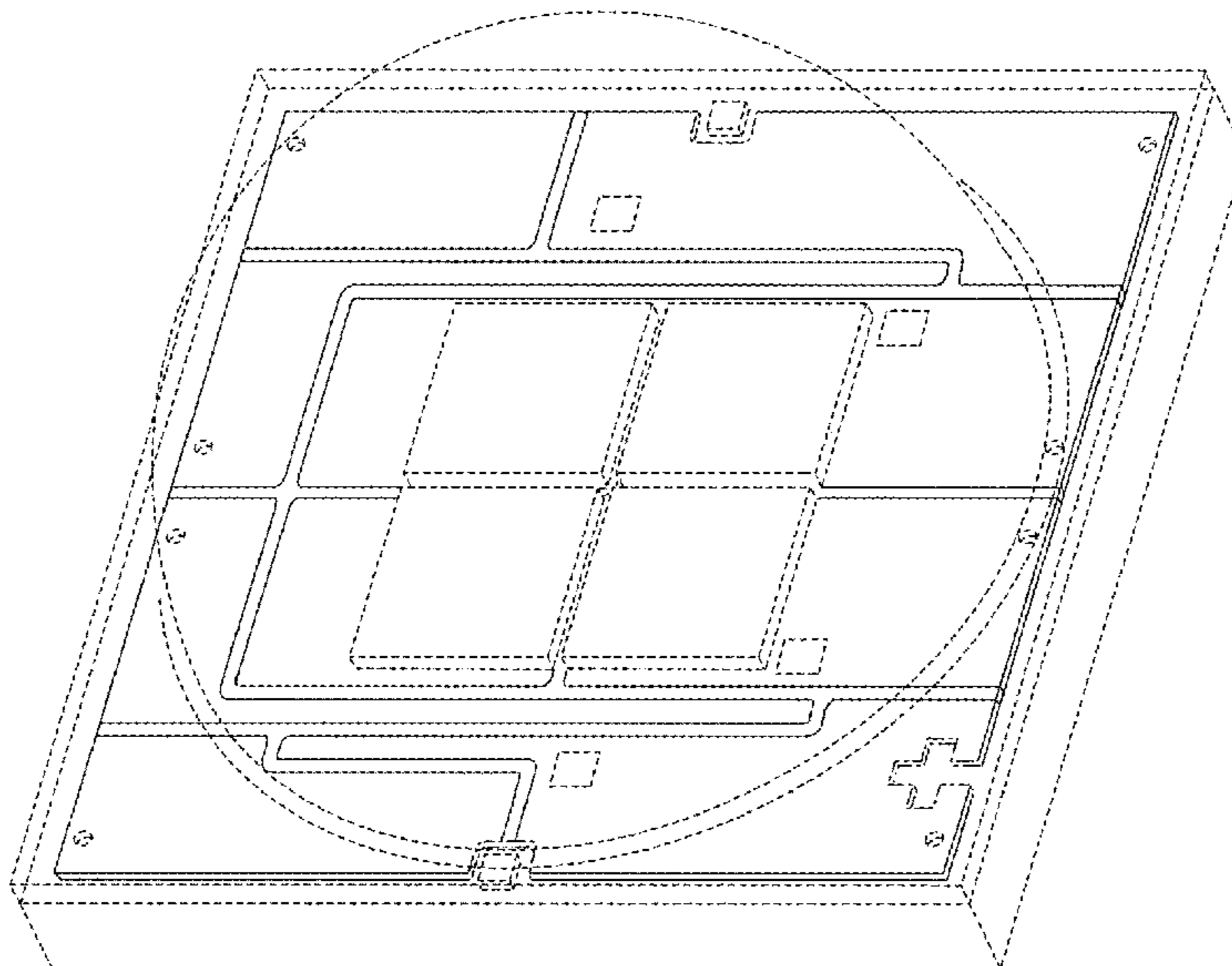
FIG. 5 is a rear elevation view of the light emitting diode LED package of FIGS. 1-4;

FIG. 6 is a right side elevation view of the light emitting diode LED package of FIGS. 1-5; and,

FIG. 7 is a left side elevation view of the light emitting diode LED package of FIGS. 1-6.

The dot-dash broken lines represent boundaries of the claimed design, and form no part of the claimed design.

1 Claim, 5 Drawing Sheets



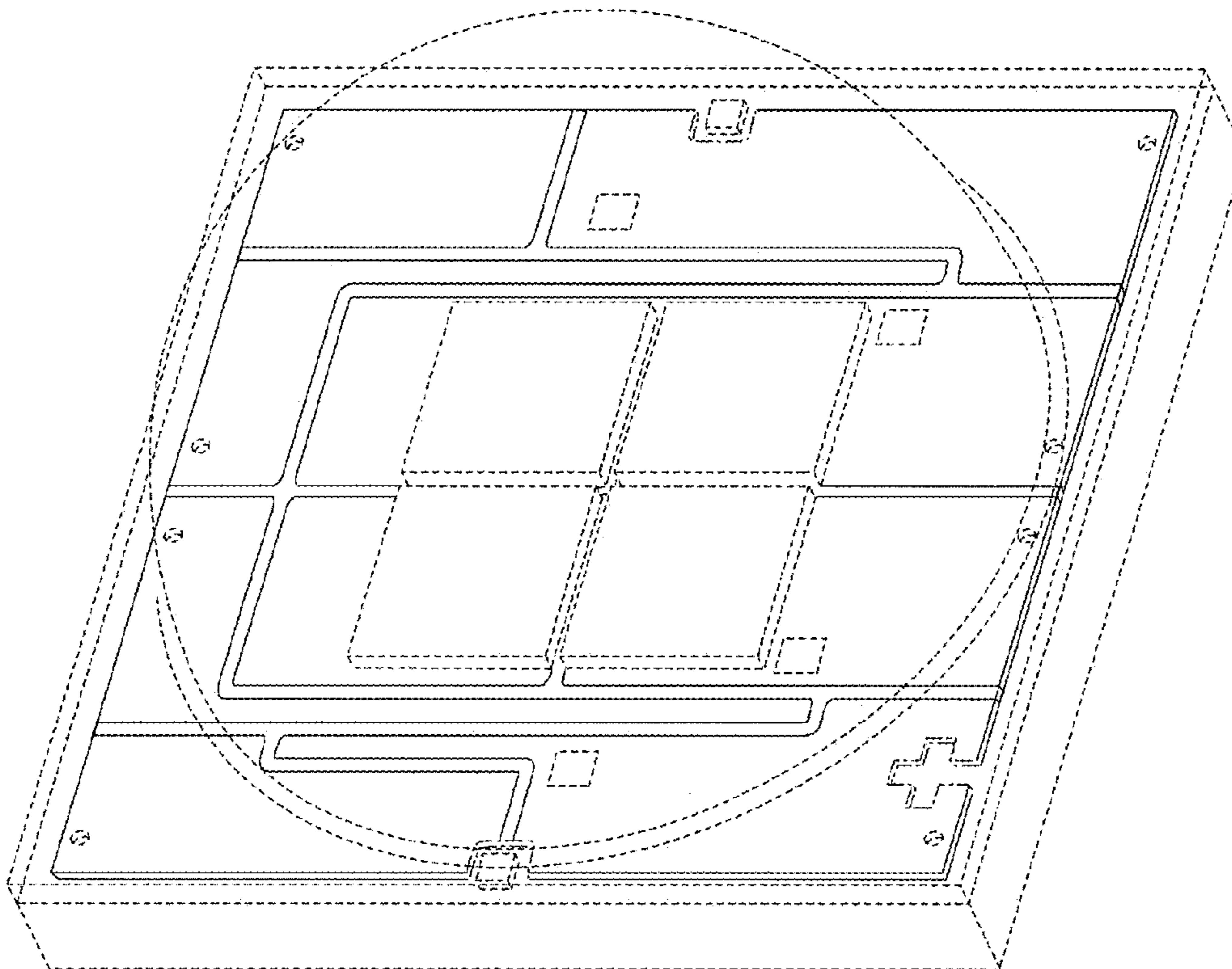


FIG. 1

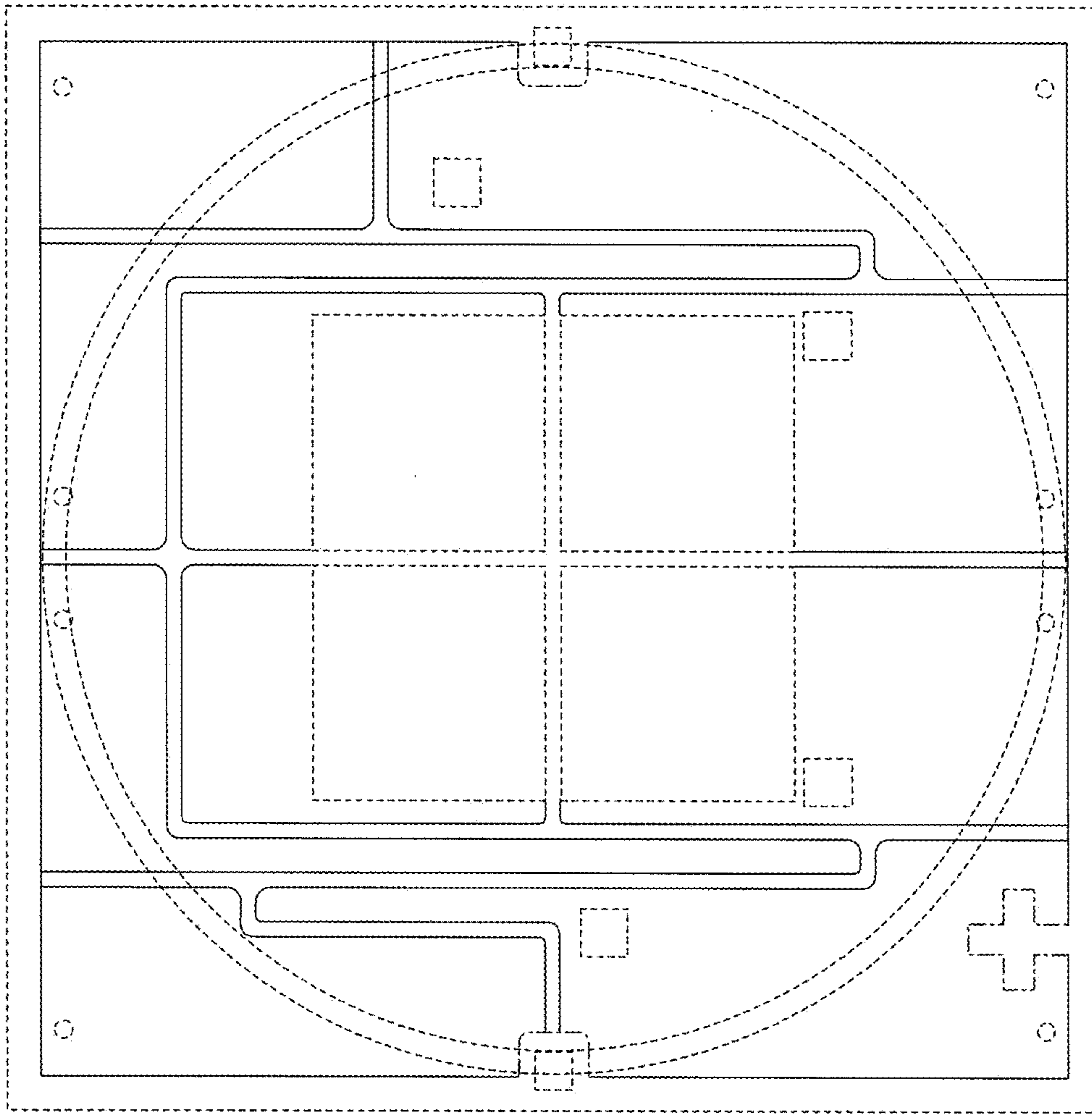


FIG. 2

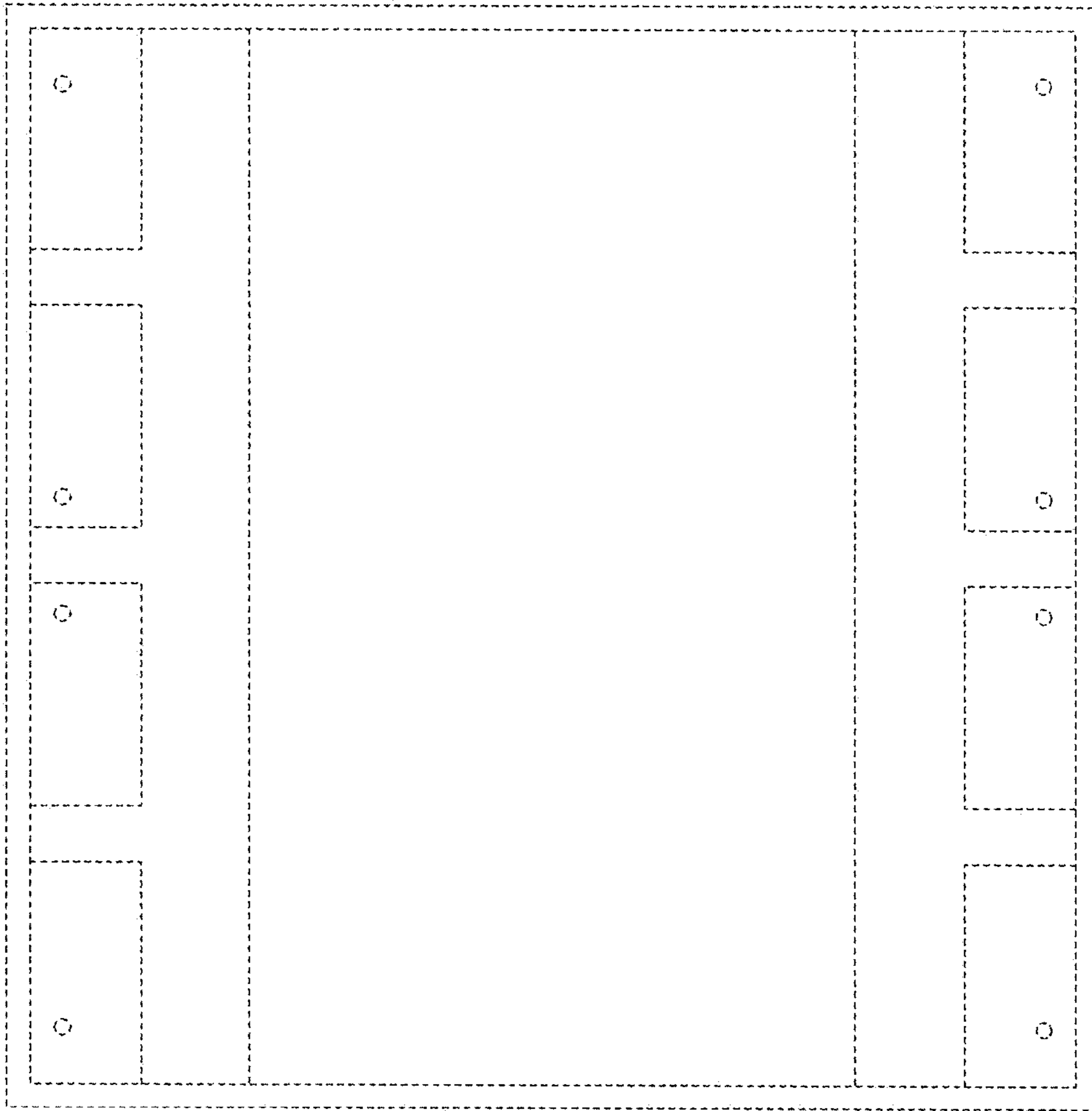


FIG. 3

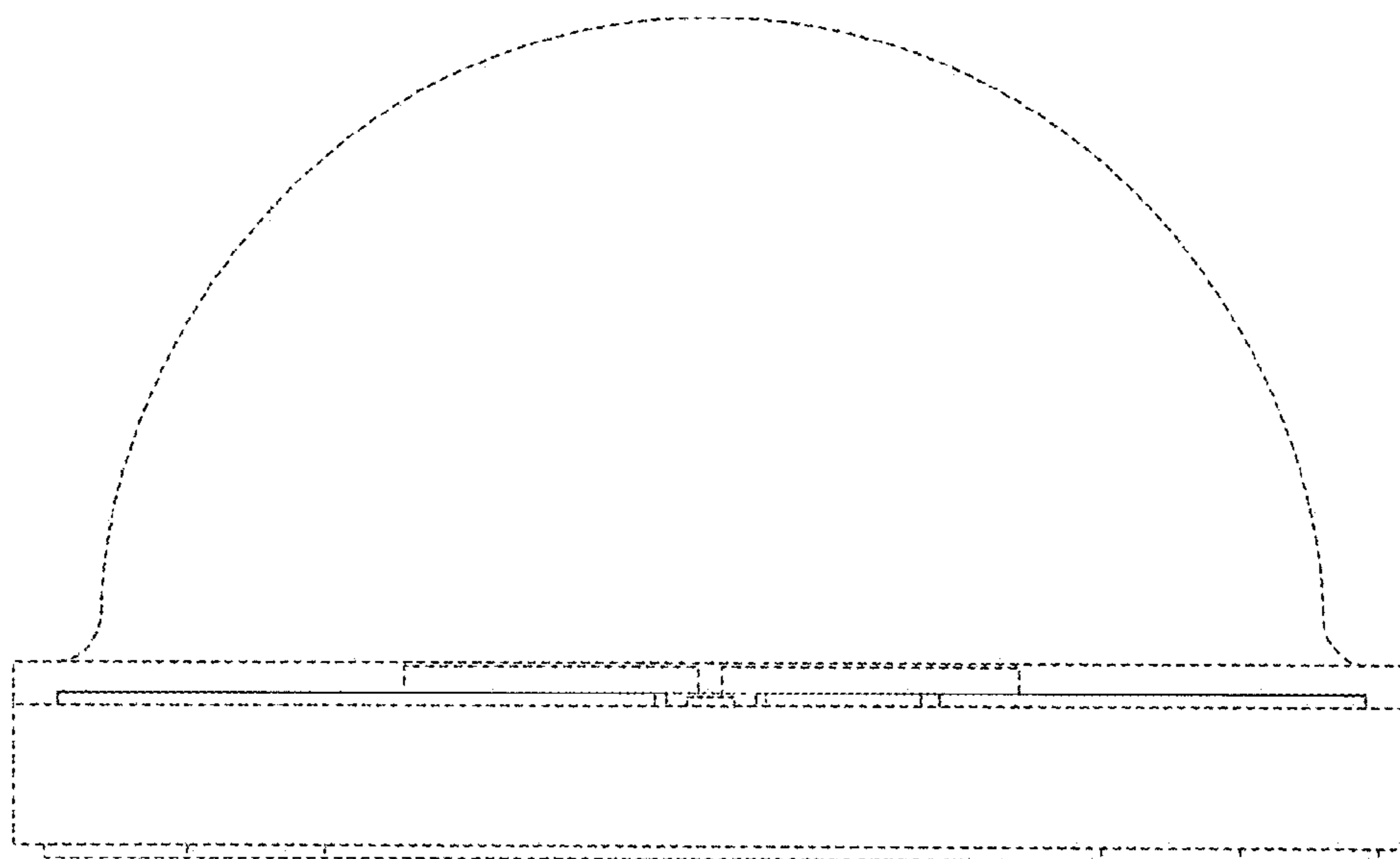


FIG. 4

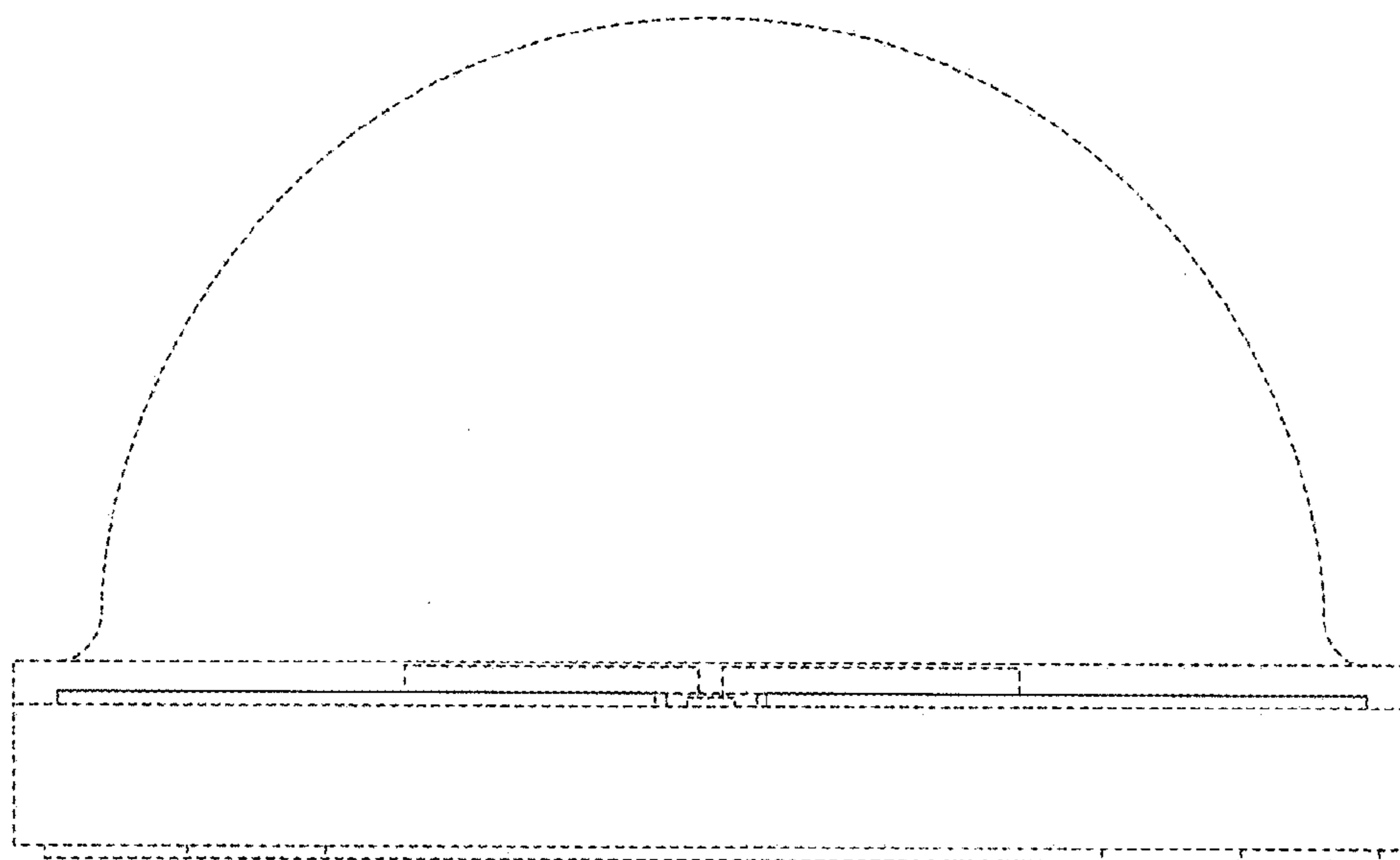


FIG. 5

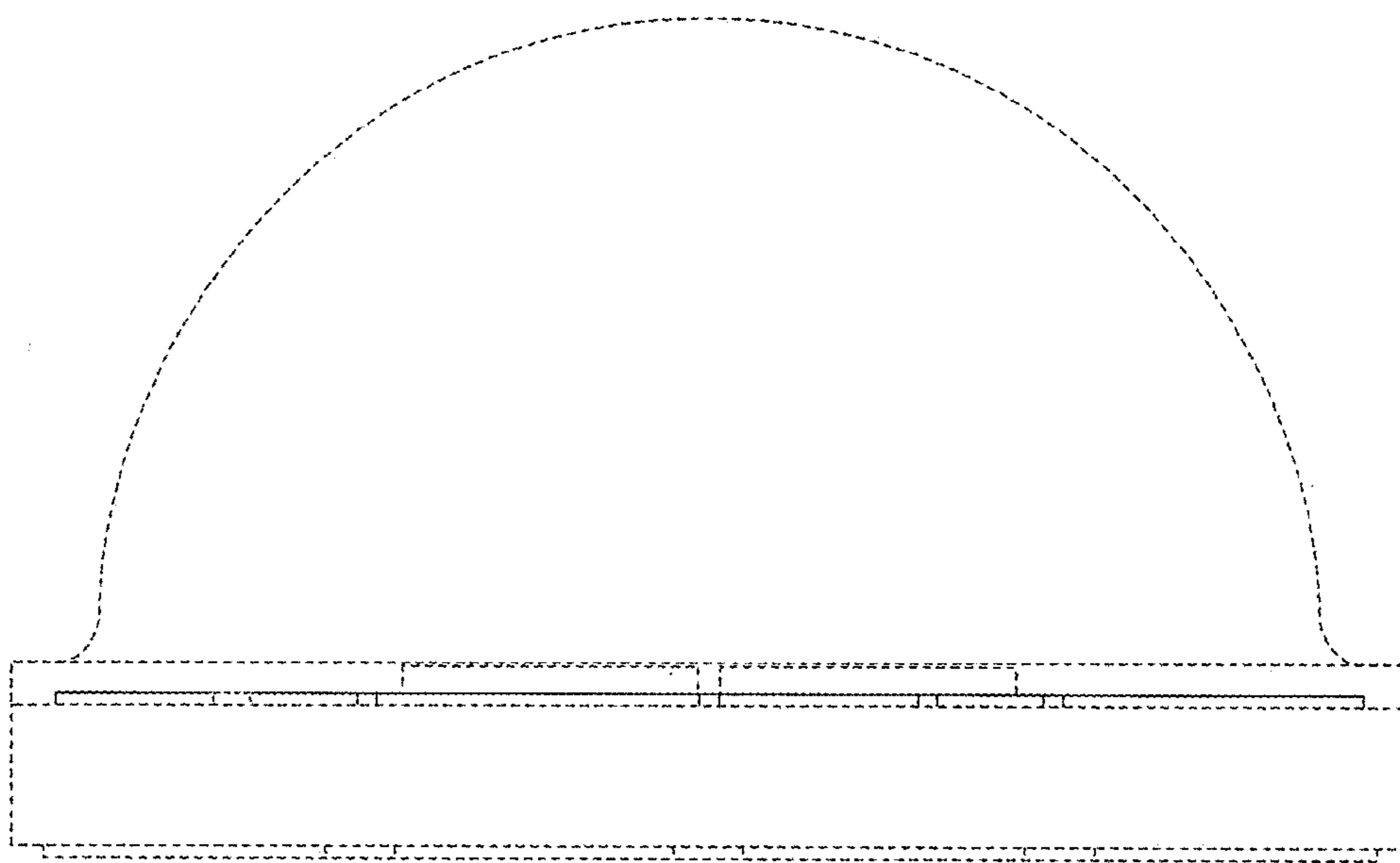


FIG. 6

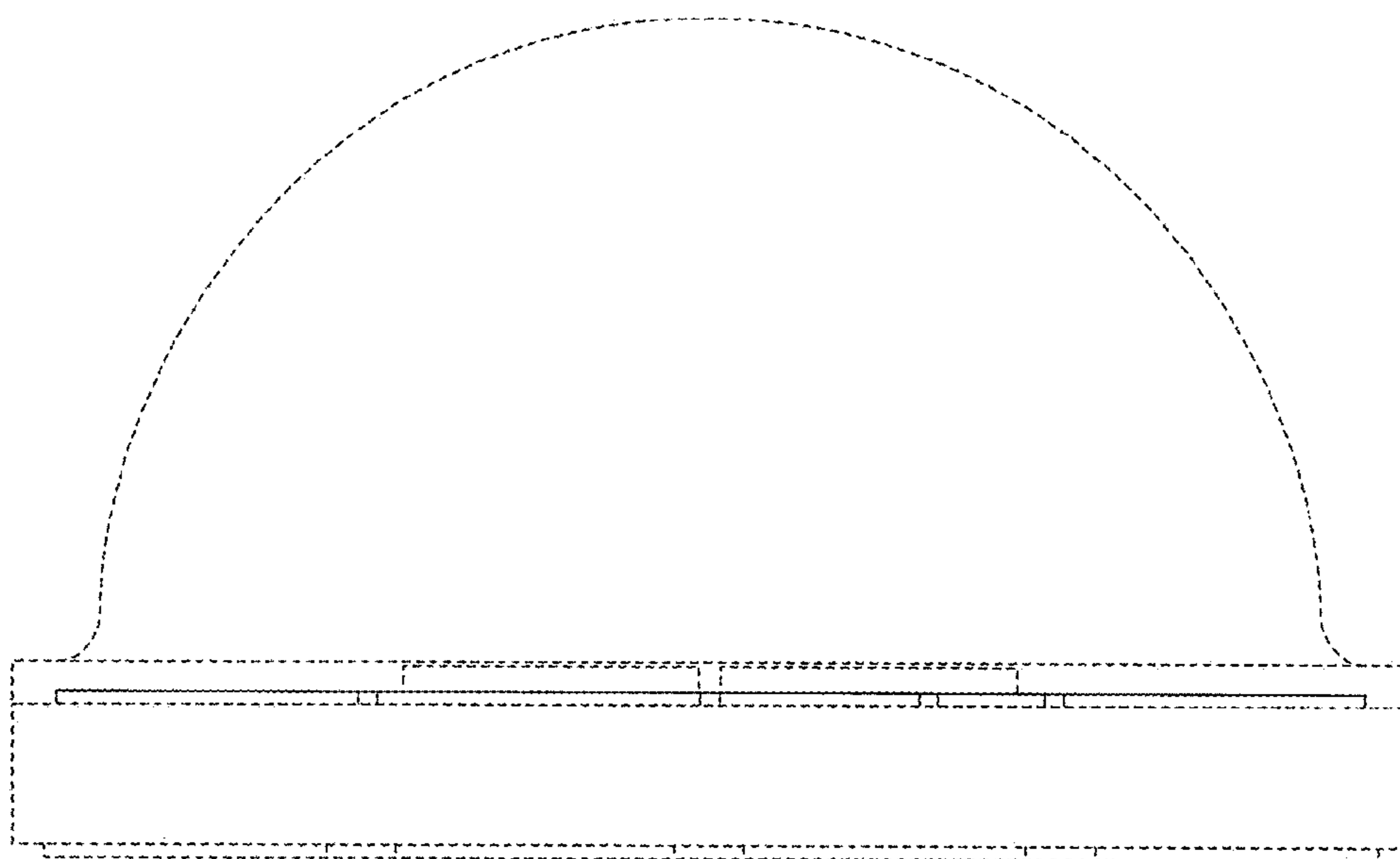


FIG. 7