



US00D711839S

(12) **United States Design Patent**
Knospe et al.

(10) **Patent No.:** **US D711,839 S**

(45) **Date of Patent:** **** Aug. 26, 2014**

(54) **HYDRAULIC DRIVE FOR HIGH-VOLTAGE
CIRCUIT BREAKER**

(71) Applicant: **ABB AG**, Mannheim (DE)

(72) Inventors: **Jörg Knospe**, Bruchköbel (DE);
Matthias Schmidt, Frankfurt (DE)

(73) Assignee: **ABB AG**, Mannheim (DE)

(**) Term: **14 Years**

(21) Appl. No.: **29/441,252**

(22) Filed: **Jan. 3, 2013**

(30) **Foreign Application Priority Data**

Jul. 3, 2012 (EM) 002067785-0001

(51) **LOC (10) Cl.** **13-03**

(52) **U.S. Cl.**
USPC **D13/178**

(58) **Field of Classification Search**
USPC D13/158, 160, 173, 178; D23/233;
60/413; 91/38; 218/68, 82, 143, 154;
200/33 R, 82 B, 400; 307/144; 361/116
See application file for complete search history.

(56) **References Cited**

U.S. PATENT DOCUMENTS

3,495,508 A * 2/1970 Allen 92/132
4,166,937 A * 9/1979 Imam et al. 200/82 B
4,346,270 A * 8/1982 Stout et al. 200/33 R

4,384,182 A * 5/1983 Imam 200/82 B
4,849,650 A * 7/1989 Lutz 307/118
4,958,548 A * 9/1990 Schulze 91/420
6,483,067 B1 * 11/2002 Kamber et al. 218/154
7,086,225 B2 * 8/2006 Kadlicko 60/413
8,440,930 B2 * 5/2013 Lee 218/140
8,481,880 B2 * 7/2013 Bottcher et al. 200/400
2013/0256274 A1 * 10/2013 Faulkner 218/143
2013/0277190 A1 * 10/2013 Schmidt et al. 200/400

* cited by examiner

Primary Examiner — Selina Sikder

(74) *Attorney, Agent, or Firm* — Buchanan Ingersoll & Rooney PC

(57) **CLAIM**

The ornamental design for a hydraulic drive for high-voltage circuit breaker, as shown and described.

DESCRIPTION

The patent or application file contains at least one drawing executed in color. Copies of this patent with color drawing(s) will be provided by the Office upon request and payment of the necessary fee.

FIG. 1 is a perspective view of a hydraulic drive for high-voltage circuit breaker showing our new design.

FIG. 2 is a first side elevational view thereof.

FIG. 3 is a second side elevational view thereof.

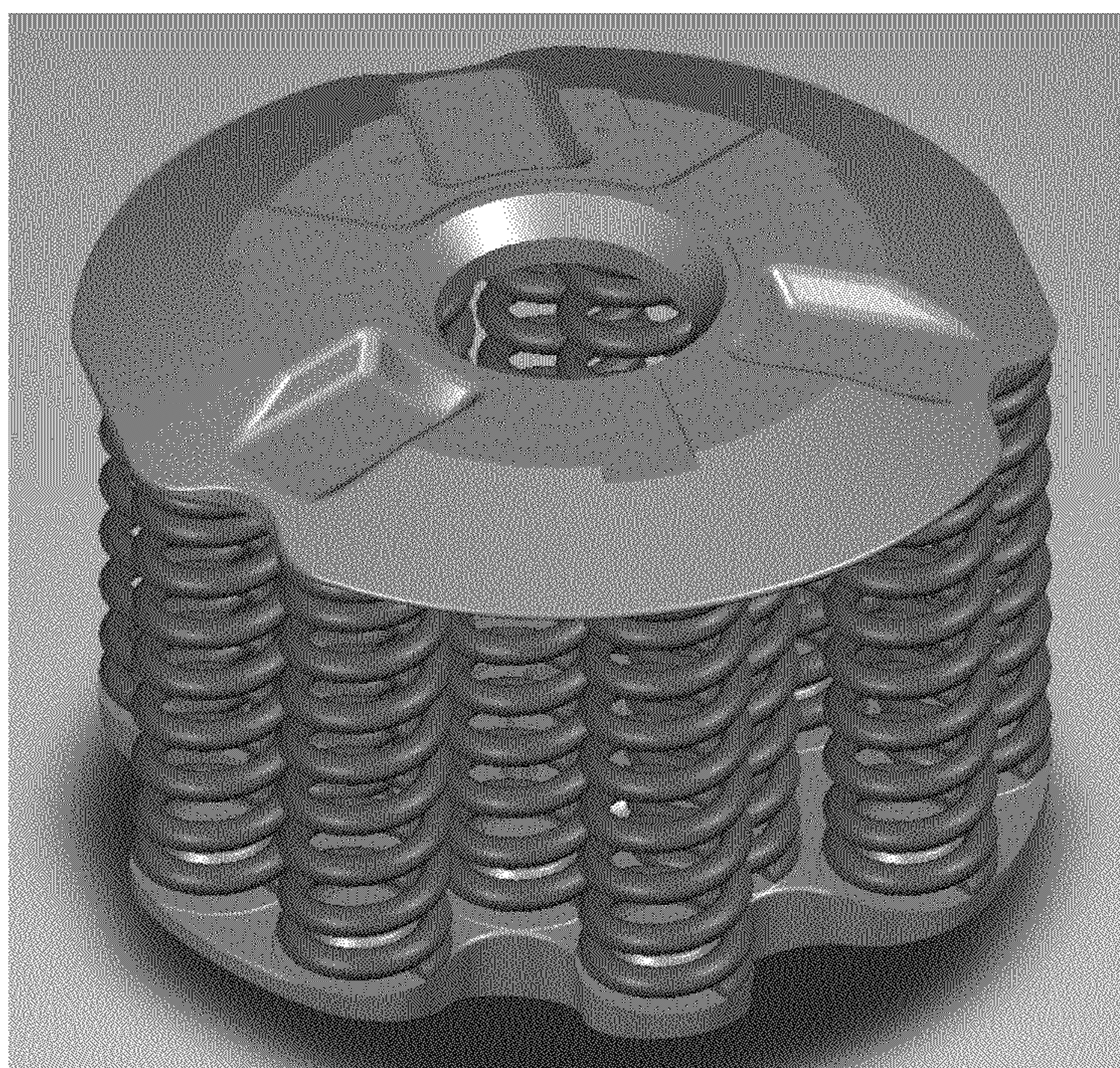
FIG. 4 is a third side elevational view thereof.

FIG. 5 is a fourth side elevational view thereof.

FIG. 6 is a bottom plan view thereof; and,

FIG. 7 is a top plan view thereof.

1 Claim, 7 Drawing Sheets
(7 of 7 Drawing Sheet(s) Filed in Color)



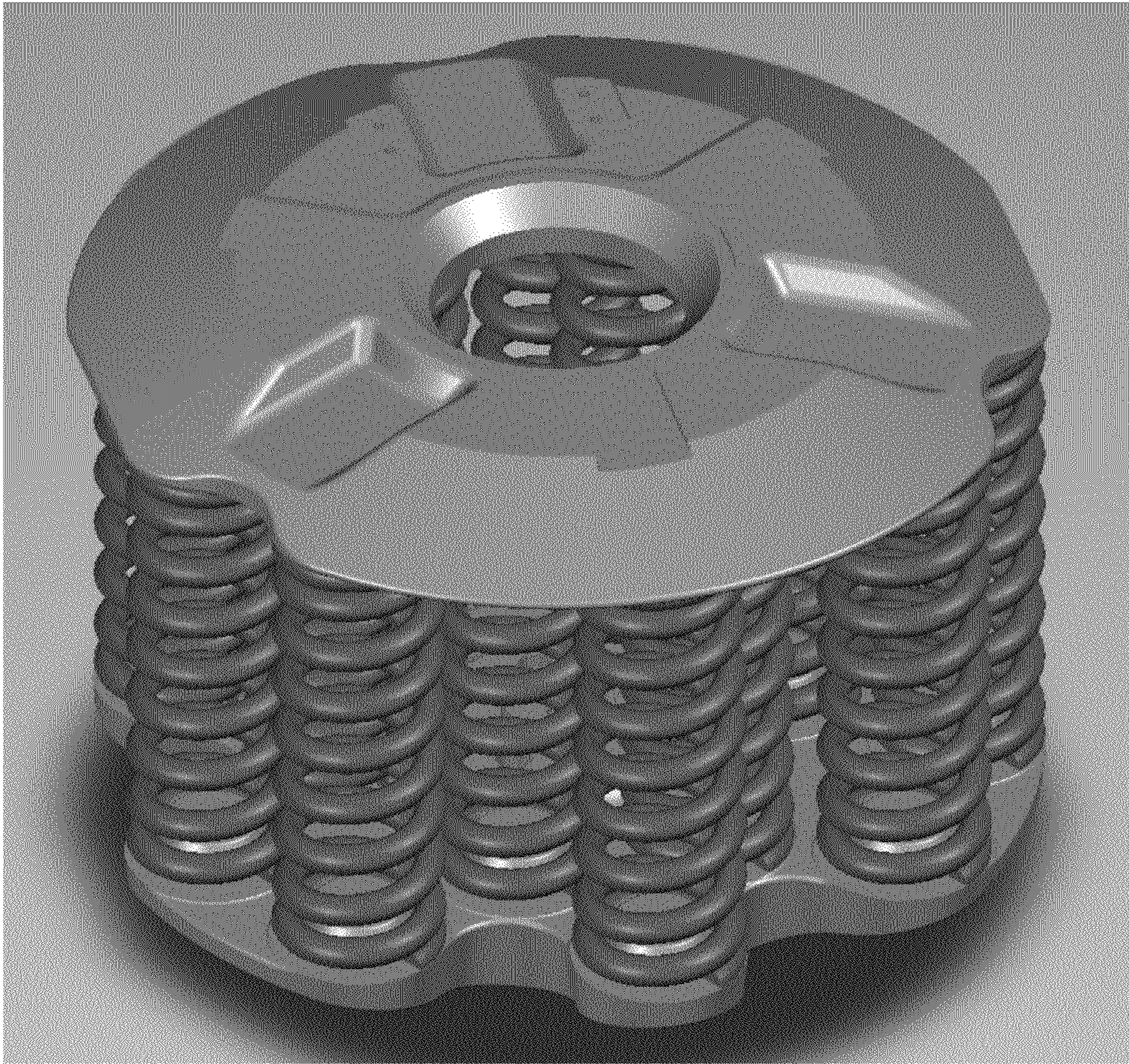


FIG. 1

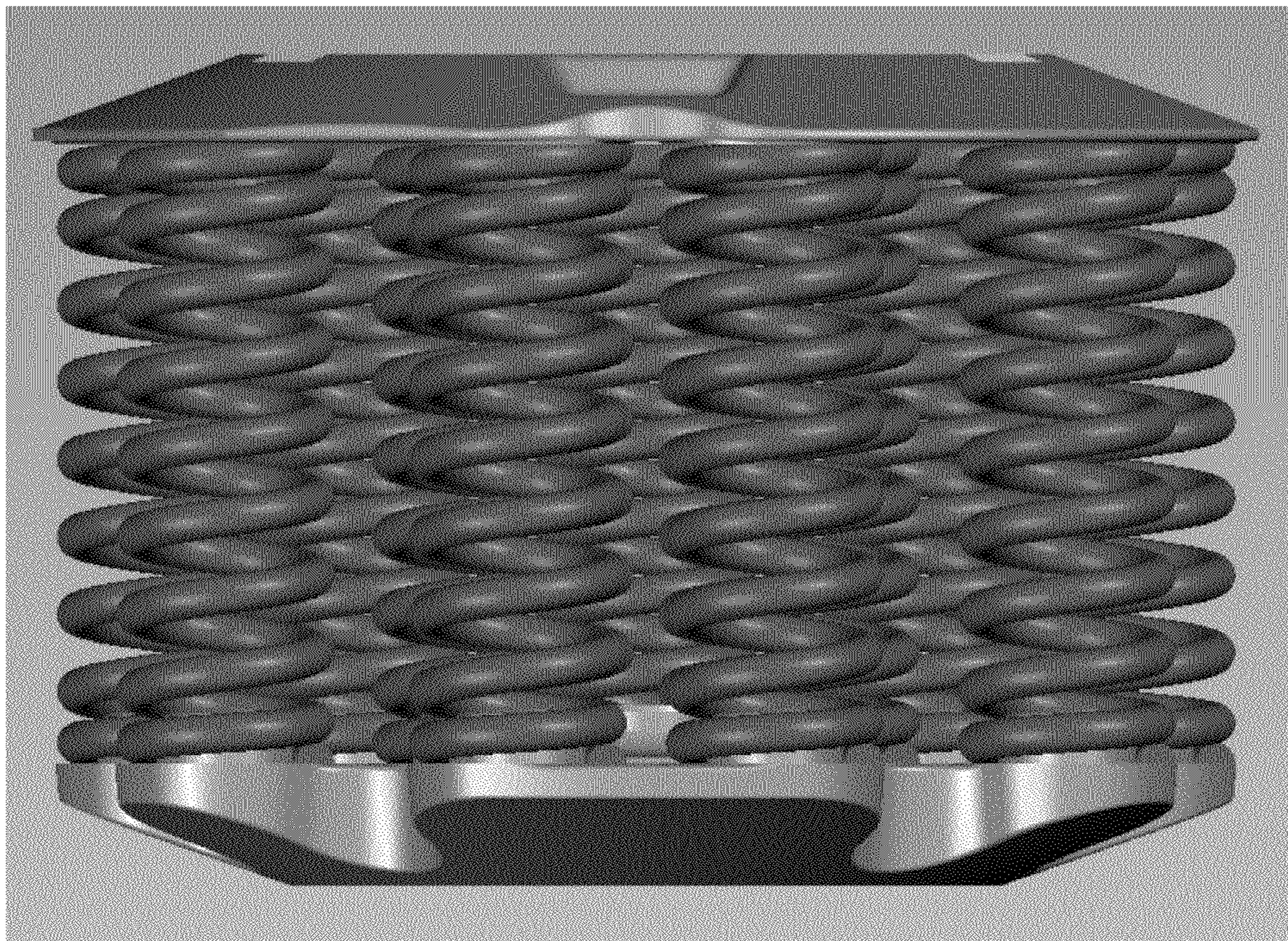


FIG. 2

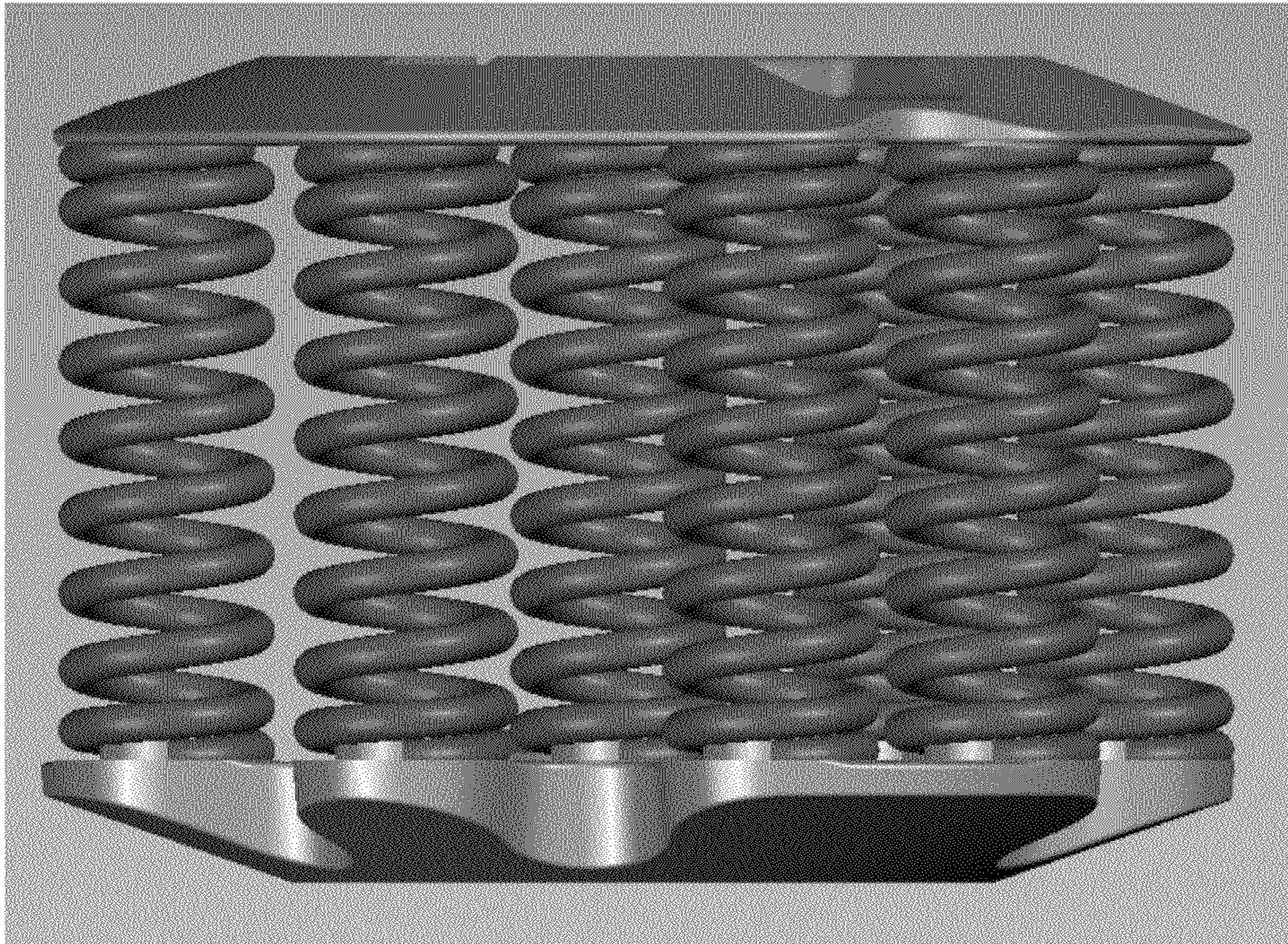


FIG. 3

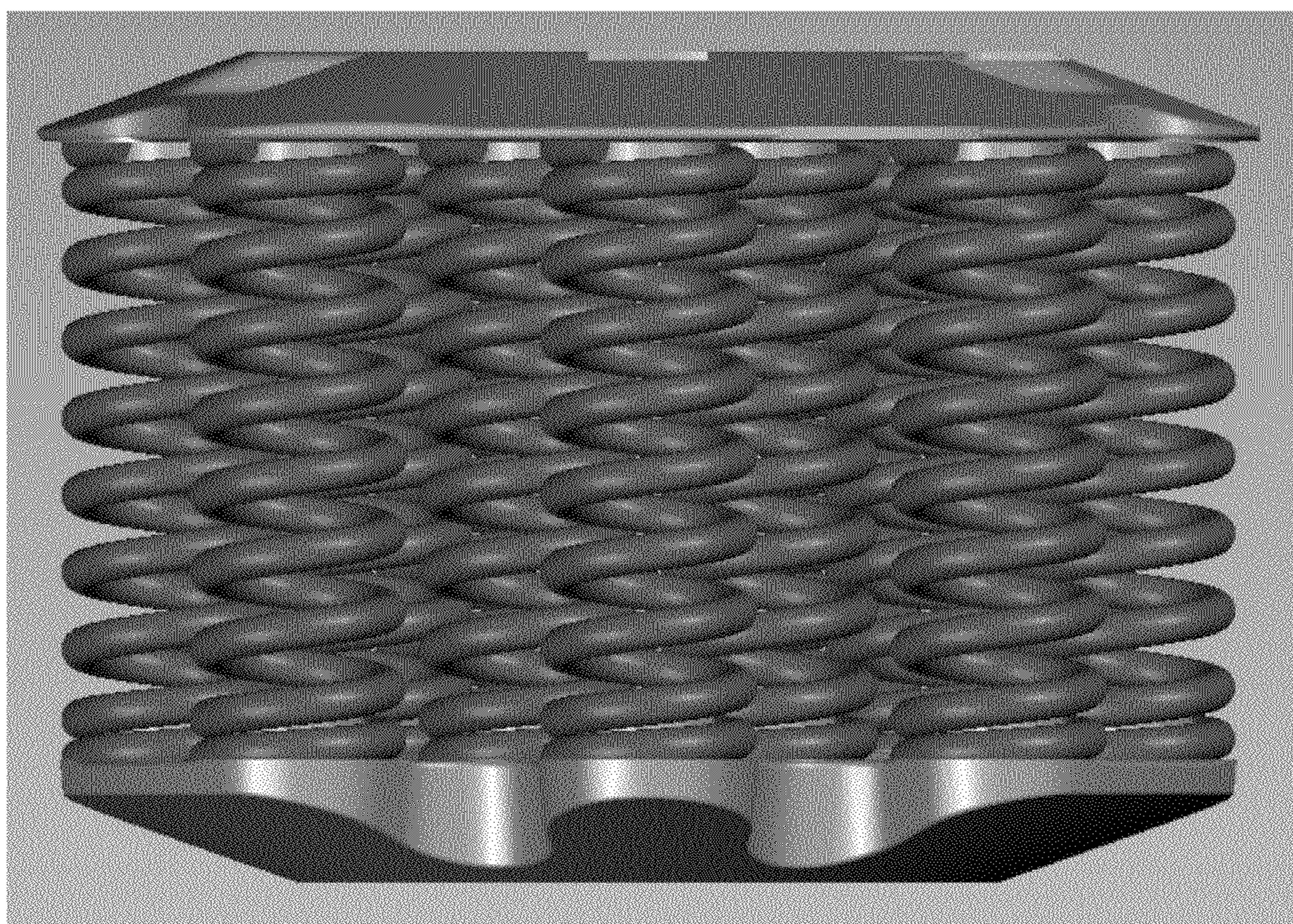


FIG. 4

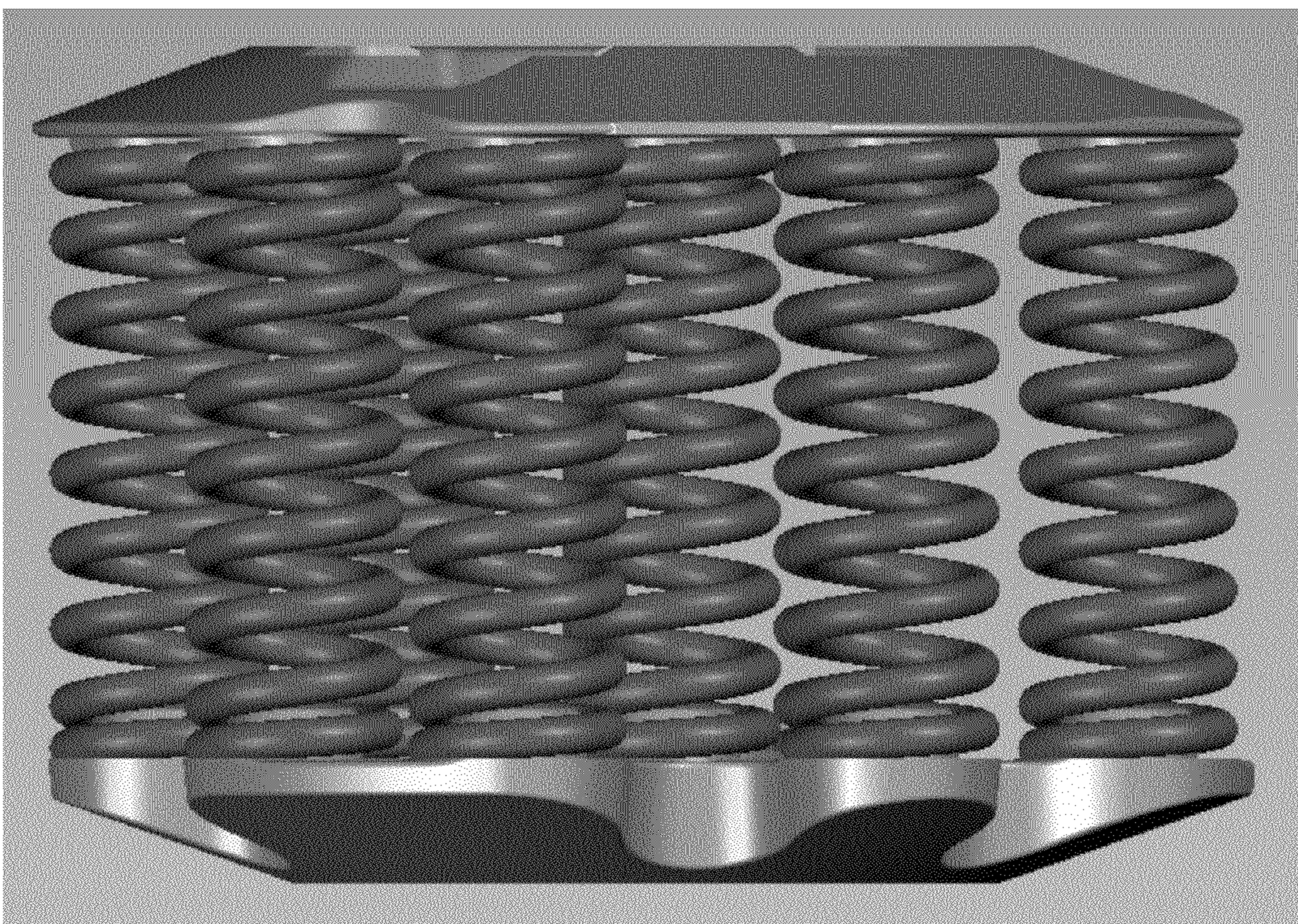


FIG. 5

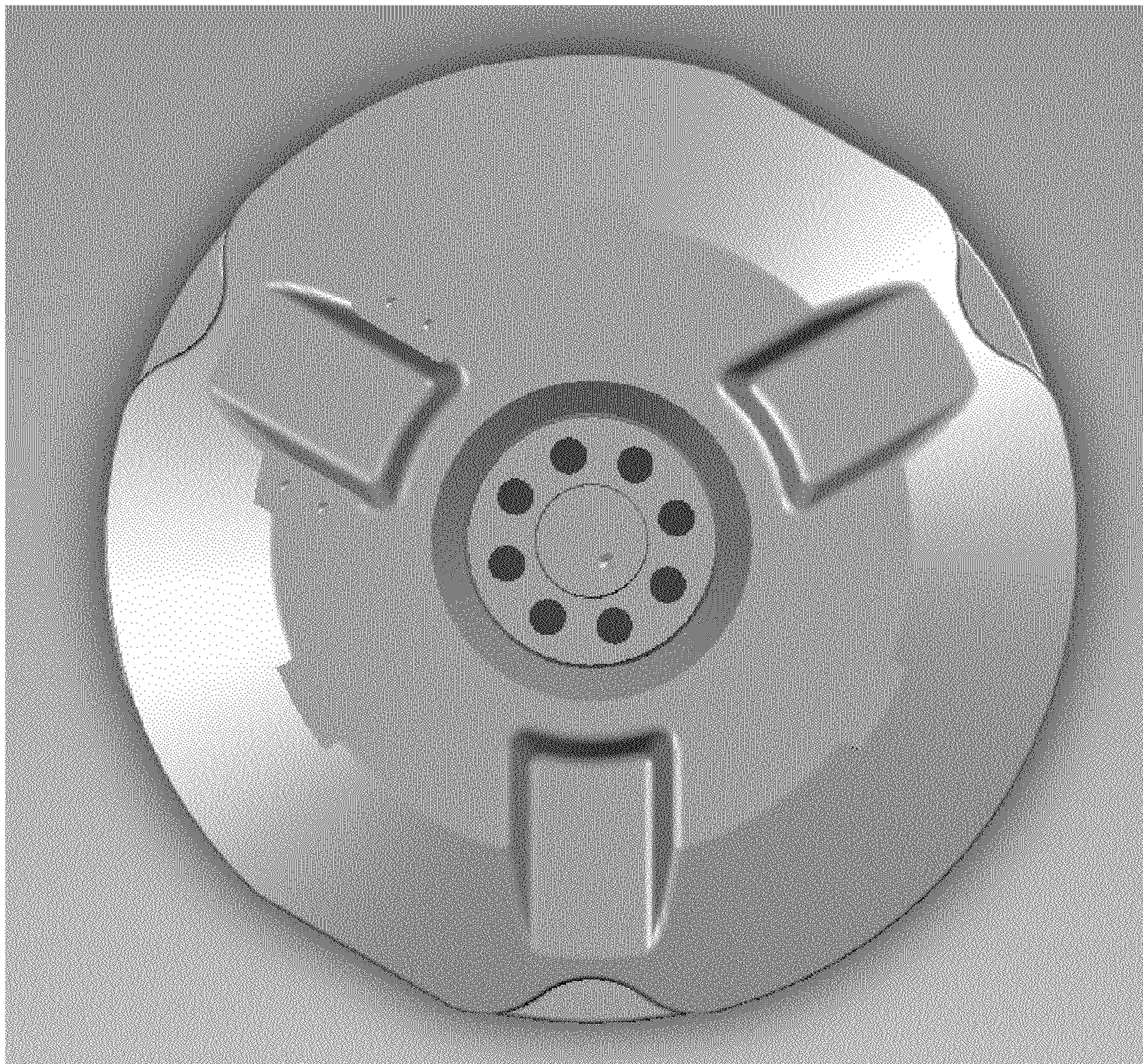


FIG. 6

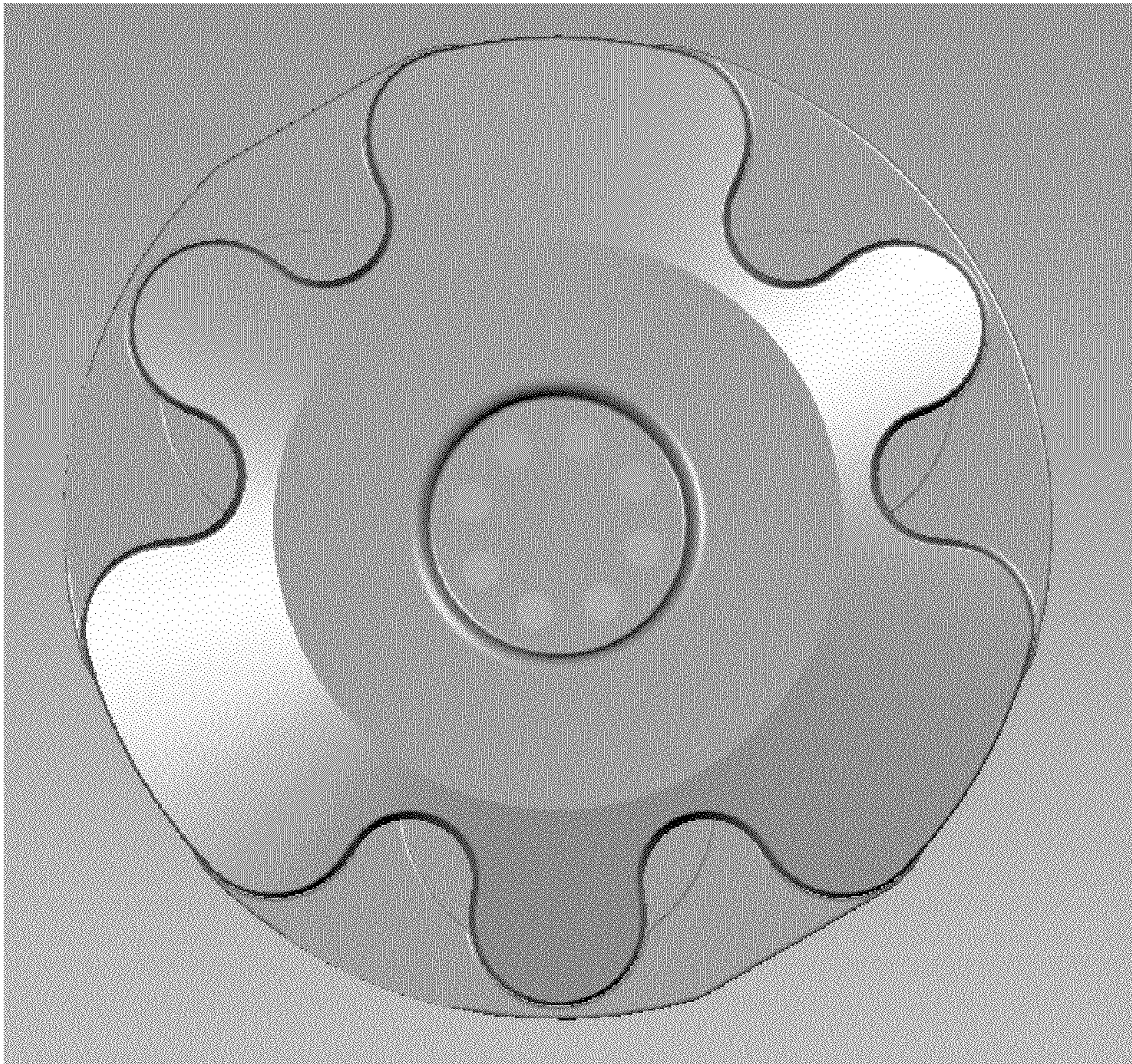


FIG. 7