



US00D711835S

(12) **United States Design Patent**
Karlsson

(10) **Patent No.:** **US D711,835 S**

(45) **Date of Patent:** **** Aug. 26, 2014**

(54) **SPLICE BOX**

(71) Applicant: **Roxtec AB**, Karlskrona (SE)

(72) Inventor: **Andreas Karlsson**, Karlskrona (SE)

(73) Assignee: **Roxtec AB**, Karlskrona (SE)

(**) Term: **14 Years**

(21) Appl. No.: **29/476,128**

(22) Filed: **Dec. 11, 2013**

(30) **Foreign Application Priority Data**

Feb. 5, 2010 (EM) 001666074

(51) **LOC (10) Cl.** **13-03**

(52) **U.S. Cl.**
USPC **D13/152**

(58) **Field of Classification Search**

USPC D13/133, 139.4, 147, 152, 154, 156,
D13/158, 160, 162-164, 173, 184, 199;
174/50, 53-55, 58, 60, 66, 67, 92;
220/3.2, 3.3, 3.7-3.9, 241, 242, 244,
220/315; 439/135, 136, 138, 142, 367, 373,
439/535, 536, 537, 541, 892, 893;
277/602-603, 608

See application file for complete search history.

(56) **References Cited**

U.S. PATENT DOCUMENTS

D31,044 S 6/1899 Perkins
D183,593 S 9/1958 Atkin
D185,057 S 5/1959 Atkin
3,141,642 A 7/1964 Mayrath
D227,989 S 7/1973 Geisel
D243,406 S 2/1977 Mooney et al.
4,361,721 A * 11/1982 Massey 174/92
4,611,873 A 9/1986 Punako et al.

D307,541 S 5/1990 Tres
4,983,932 A 1/1991 Kitagawa
D329,840 S 9/1992 Nociar
D356,091 S 3/1995 Grande
D361,313 S 8/1995 Sai et al.
D364,625 S 11/1995 Grande
D367,644 S 3/1996 Fukao et al.
D370,889 S 6/1996 Anthony
D389,052 S 1/1998 Yamamoto
D392,618 S 3/1998 Fukao et al.
D414,405 S 9/1999 Tompkins
D439,563 S 3/2001 Shimojo
6,231,051 B1 * 5/2001 Mueller et al. 277/603
D449,581 S 10/2001 Bosatelli
D467,878 S 12/2002 Bryndzia
D478,872 S 8/2003 Heggem
D484,097 S 12/2003 Drane et al.
6,957,817 B2 * 10/2005 Goll 277/603
D526,973 S 8/2006 Gates et al.
D552,558 S 10/2007 Kelly et al.
D560,610 S 1/2008 McCoy
7,316,518 B2 * 1/2008 Sasaki et al. 403/344
D577,423 S 9/2008 Dole

(Continued)

Primary Examiner — Rosemary K Tarcza

(74) *Attorney, Agent, or Firm* — Harness, Dickey & Pierce, P.L.C.

(57)

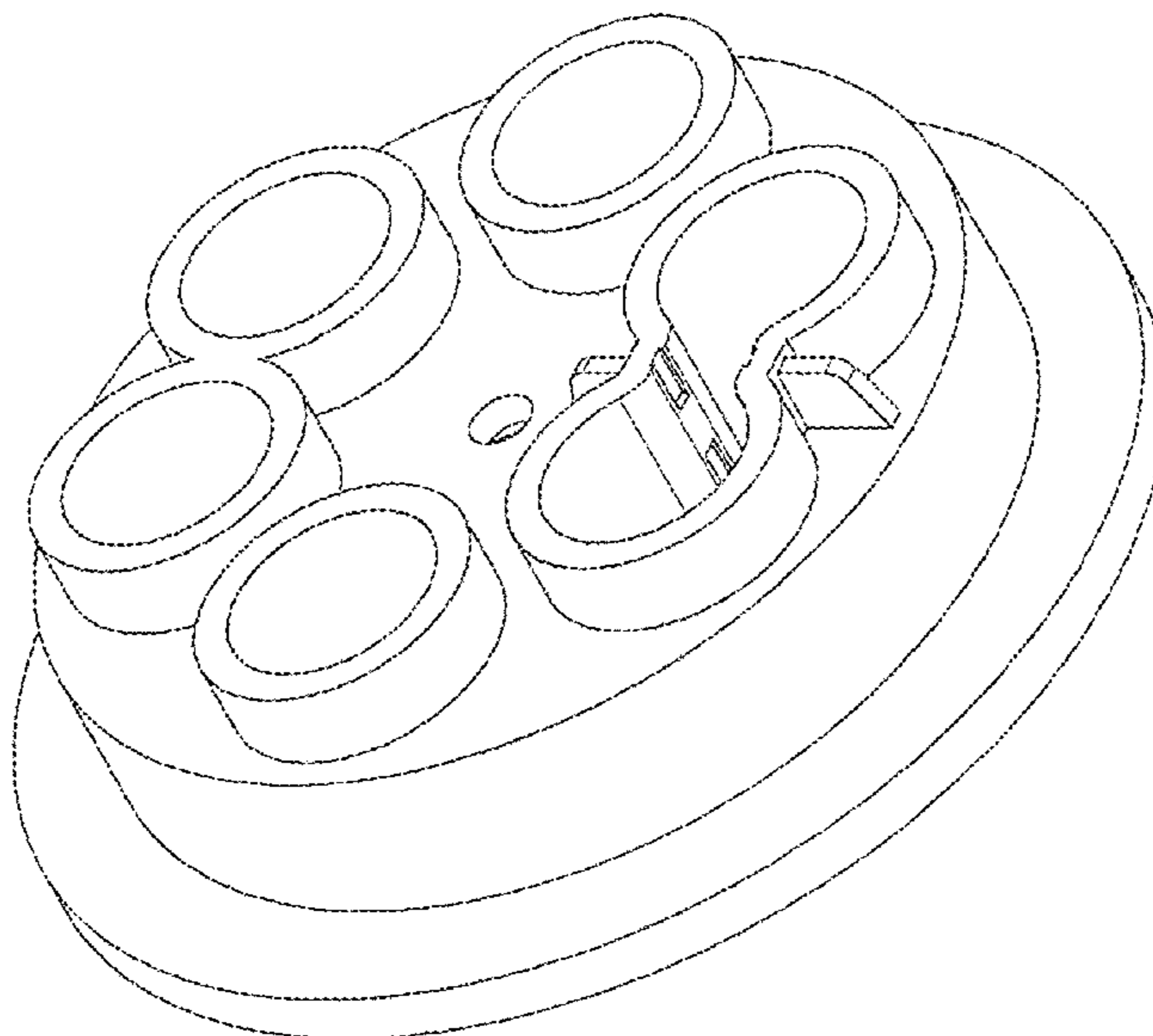
CLAIM

The ornamental design for a splice box, as shown and described.

DESCRIPTION

FIG. 1 is a top perspective view of a splice box;
FIG. 2 is a first side view thereof;
FIG. 3 is a top plan view thereof;
FIG. 4 is a bottom plan view thereof;
FIG. 5 is a second side view thereof;
FIG. 6 is a third side view thereof; and,
FIG. 7 is a bottom perspective view thereof.

1 Claim, 5 Drawing Sheets



(56)

References Cited

U.S. PATENT DOCUMENTS

D580,371 S 11/2008 Farahani
D584,604 S 1/2009 Baldwin
D585,837 S 2/2009 Keuhne et al.
D614,138 S 4/2010 Blixt
D618,176 S 6/2010 Kato et al.
D636,736 S 4/2011 Otasu et al.
D642,045 S 7/2011 Sweeney
D647,394 S 10/2011 Taylor

D653,103 S 1/2012 Tomasi et al.
D653,530 S 2/2012 Hammond et al.
D658,129 S 4/2012 Karlsson
D665,247 S 8/2012 Hammond et al.
D672,229 S 12/2012 Reid
D676,738 S 2/2013 Hammond et al.
D677,634 S * 3/2013 Korcz et al. D13/152
D687,384 S 8/2013 Kazakia
2002/0180163 A1 * 12/2002 Muller et al. 277/602
2003/0030229 A1 * 2/2003 Shaffer 277/602
2004/0262851 A1 * 12/2004 Tones et al. 277/602

* cited by examiner

FIG. 1

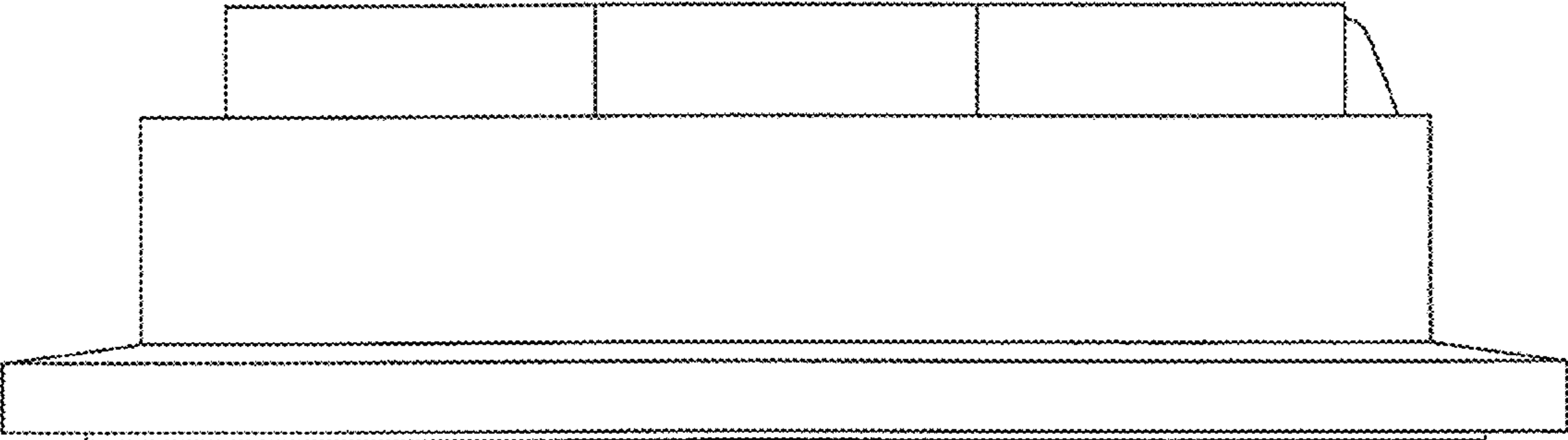
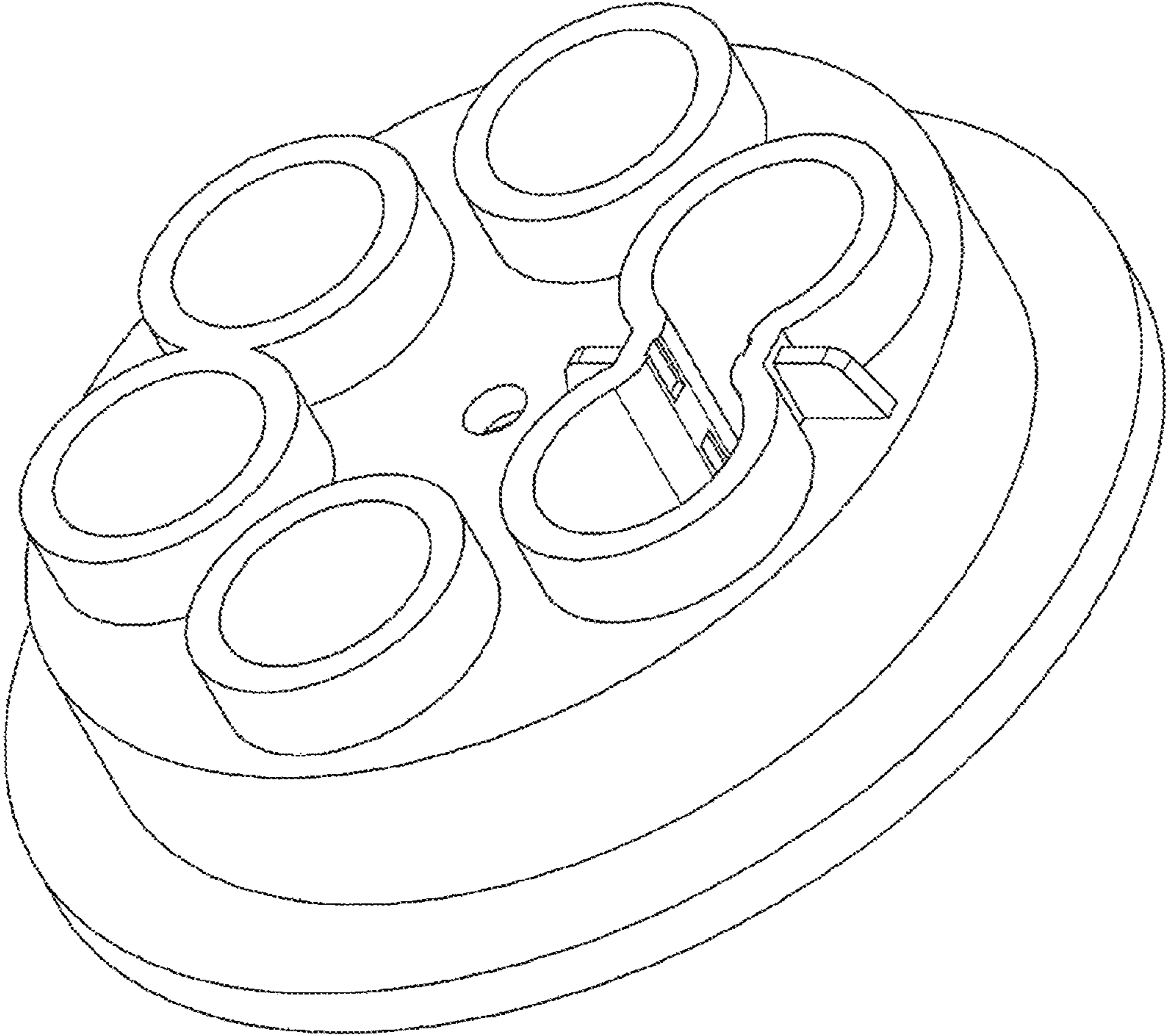


FIG. 2

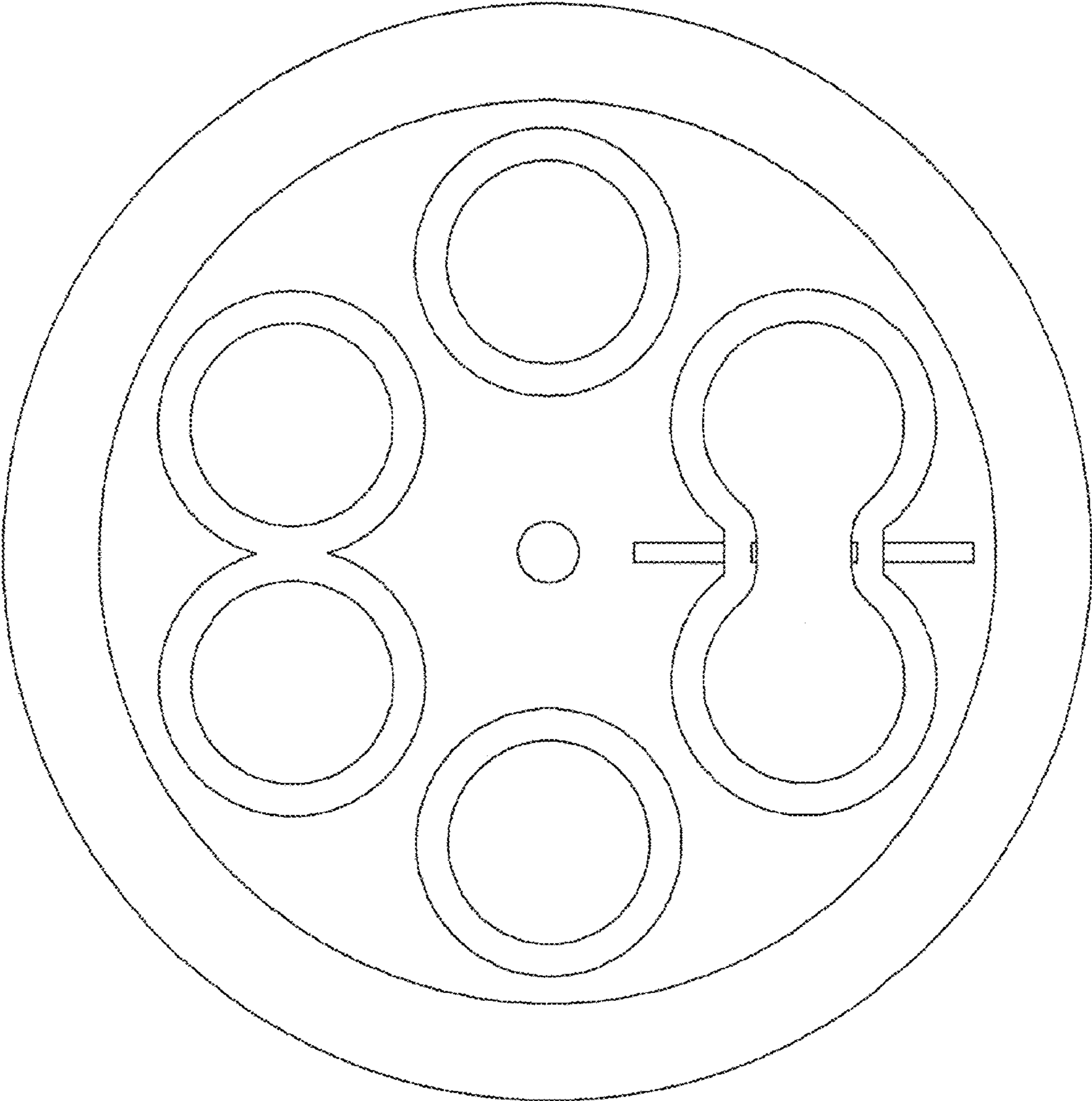


FIG. 3

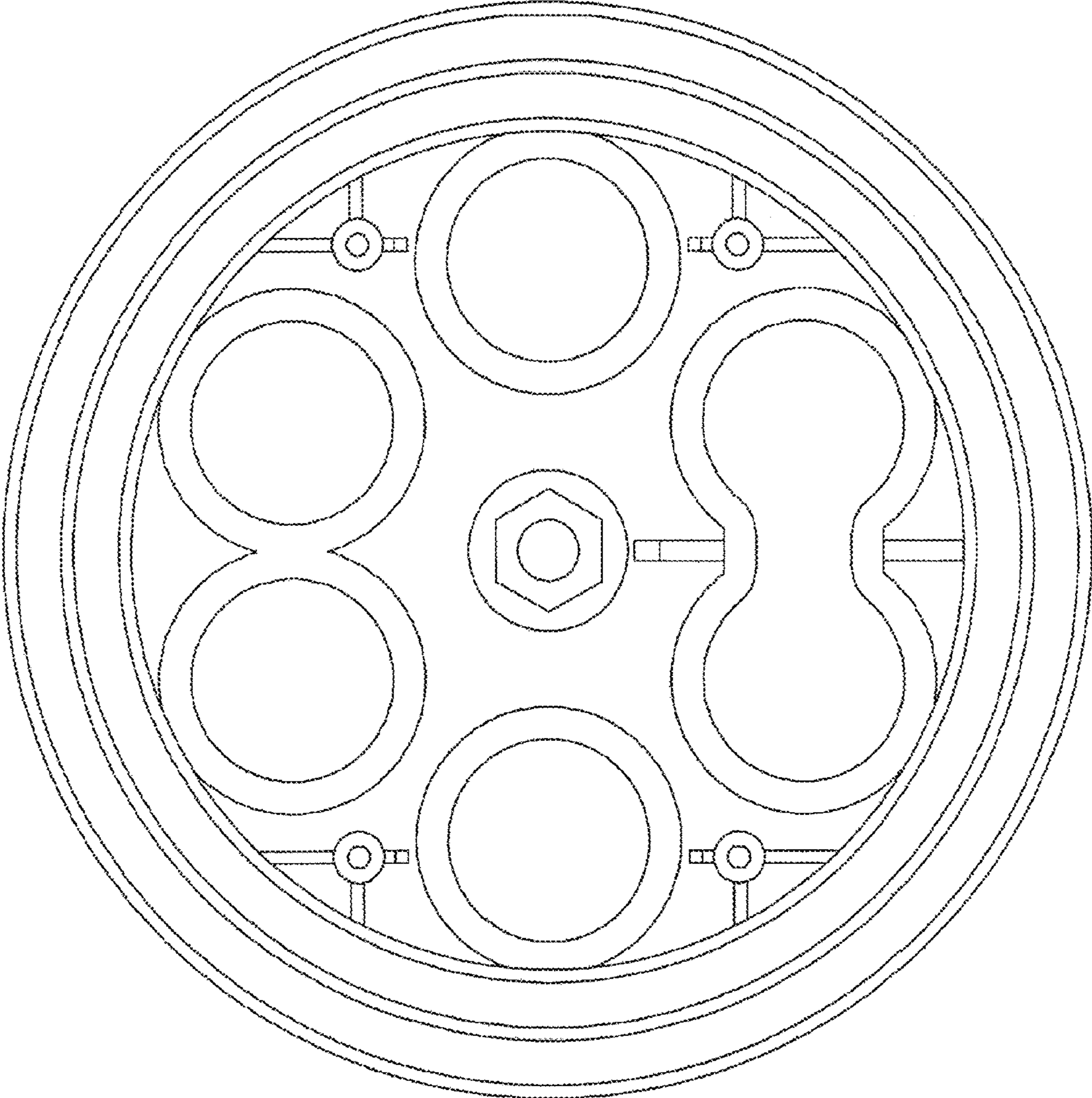


FIG. 4

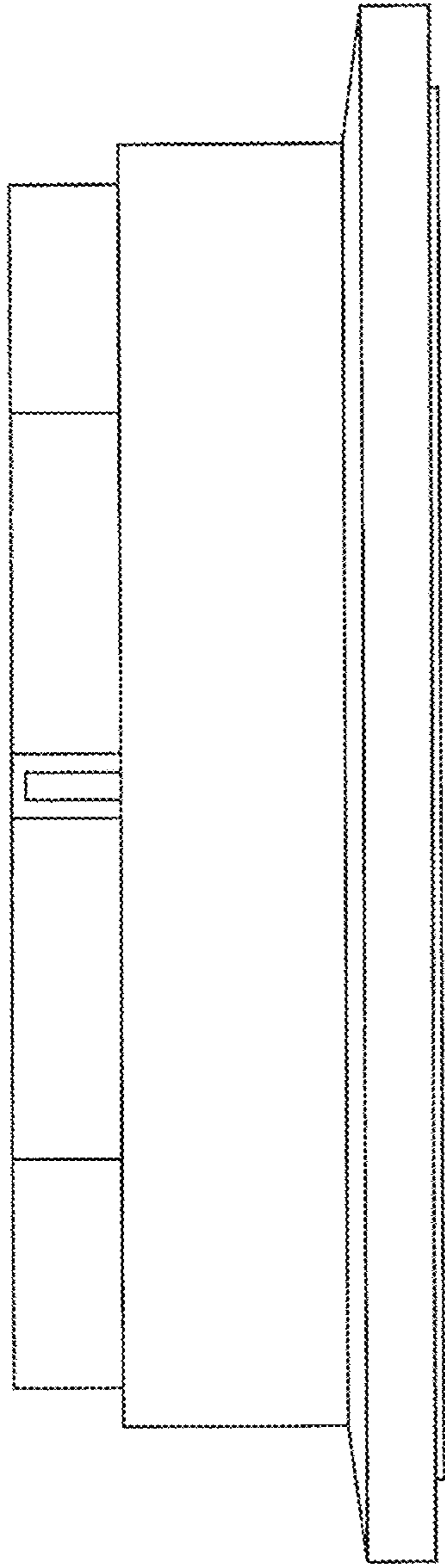


FIG. 5

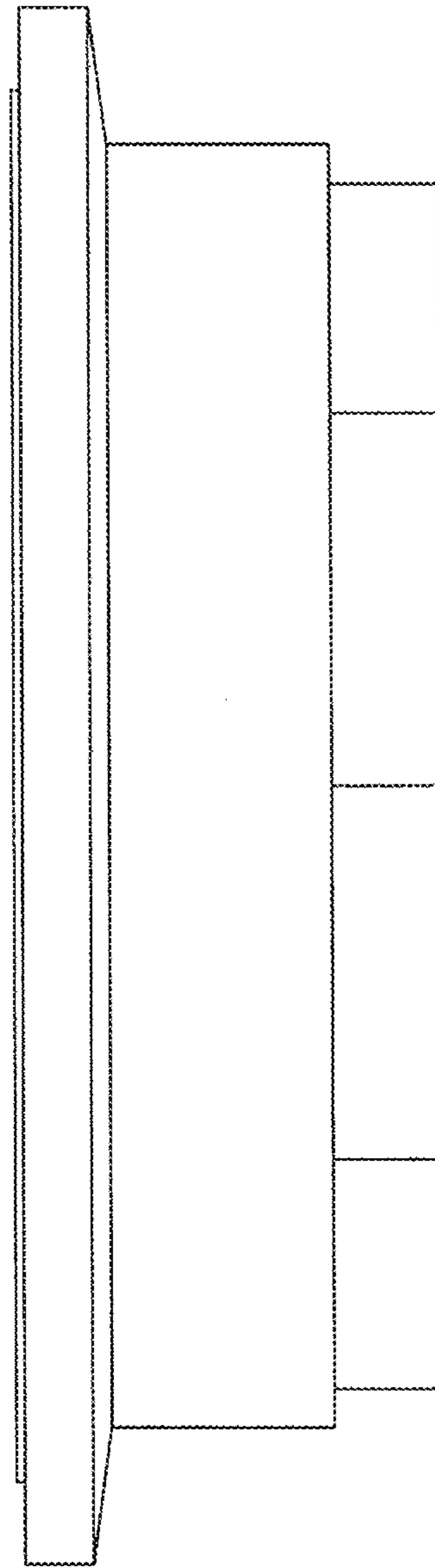


FIG. 6

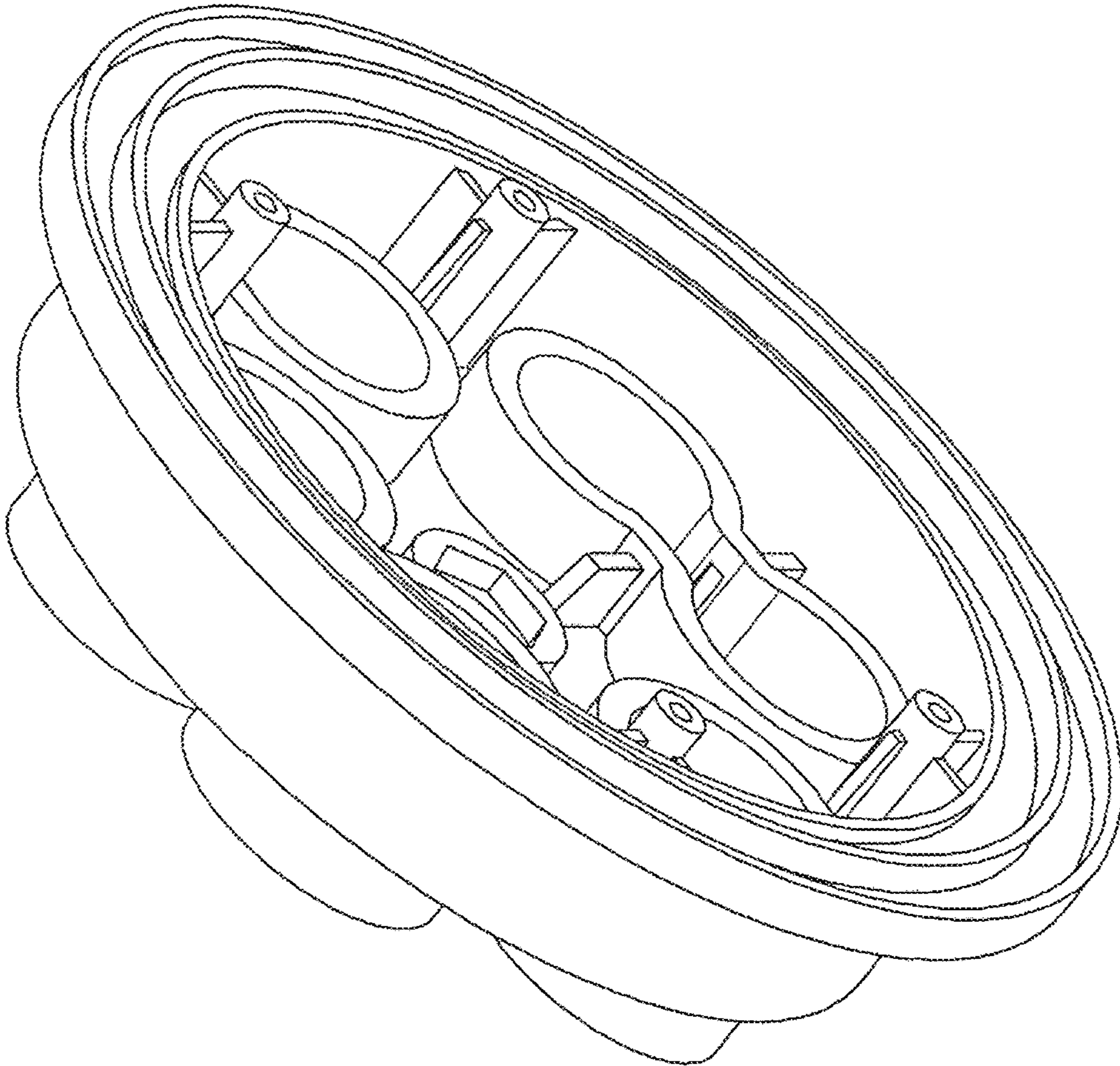


FIG. 7

UNITED STATES PATENT AND TRADEMARK OFFICE
CERTIFICATE OF CORRECTION

PATENT NO. : D711,835 S
APPLICATION NO. : 29/476128
DATED : August 26, 2014
INVENTOR(S) : Andreas Karlsson

Page 1 of 1

It is certified that error appears in the above-identified patent and that said Letters Patent is hereby corrected as shown below:

On the title page item (63), should read:

Related U.S. Application Data

Continuation of application No. 29/415,550, filed on March 12, 2012, now abandoned, which is a divisional of application No. 29/366,733, filed on July 29, 2010, now Pat. No. D658,129.

Signed and Sealed this
Twenty-eighth Day of June, 2016



Michelle K. Lee
Director of the United States Patent and Trademark Office