



US00D711834S

(12) **United States Design Patent**  
**Jones**

(10) **Patent No.:** **US D711,834 S**  
(45) **Date of Patent:** **\*\* Aug. 26, 2014**

- (54) **ELECTRICAL JUNCTION BOX GASKET**
- (71) Applicant: **Ipex Technologies Inc.**, Mississauga (CA)
- (72) Inventor: **David Gordon Jones**, Oakville (CA)
- (73) Assignee: **Ipex Technologies Inc.**, Mississauga, Ontario (CA)

|           |     |         |               |       |         |
|-----------|-----|---------|---------------|-------|---------|
| D422,565  | S * | 4/2000  | Kim           | ..... | D13/152 |
| D423,461  | S * | 4/2000  | Layton, Jr.   | ..... | D13/152 |
| D424,523  | S * | 5/2000  | Hughes        | ..... | D13/147 |
| D462,329  | S * | 9/2002  | Hughes et al. | ..... | D13/152 |
| 6,530,629 | B2  | 3/2003  | Shyr          |       |         |
| D499,070  | S * | 11/2004 | Lavington     | ..... | D13/119 |
| 7,032,708 | B2  | 4/2006  | Popken et al. |       |         |
| D556,143  | S * | 11/2007 | Ni            | ..... | D13/152 |
| D560,170  | S * | 1/2008  | Ni            | ..... | D13/152 |
| D588,067  | S * | 3/2009  | Seropian      | ..... | D13/152 |

(Continued)

(\*\*) Term: **14 Years**

(21) Appl. No.: **29/442,472**

(22) Filed: **Mar. 11, 2013**

(51) **LOC (10) Cl.** ..... **13-03**

(52) **U.S. Cl.**  
USPC ..... **D13/152**

(58) **Field of Classification Search**  
USPC ..... D13/152, 164, 184, 137.1, 139.1, 153,  
D13/137.2, 133, 137.4, 139.7, 130, 128,  
D13/132, 138.2, 139.3, 139.4, 139.8, 139.6,  
D13/123, 160, 107; D14/205, 228;  
D7/300.2

See application file for complete search history.

(56) **References Cited**

**U.S. PATENT DOCUMENTS**

|           |     |         |                   |               |
|-----------|-----|---------|-------------------|---------------|
| 1,208,618 | A   | 12/1916 | Morrison          |               |
| 2,263,842 | A   | 11/1941 | Gross             |               |
| 2,263,843 | A   | 11/1941 | Gross             |               |
| 2,642,016 | A   | 6/1953  | Thalmann          |               |
| 3,296,763 | A   | 1/1967  | Curl              |               |
| 3,480,311 | A   | 11/1969 | Lanham, Jr.       |               |
| 3,951,300 | A   | 4/1976  | Kalasek           |               |
| 4,129,395 | A   | 12/1978 | Theurer et al.    |               |
| 4,358,130 | A   | 11/1982 | Adams             |               |
| 4,941,588 | A   | 7/1990  | Flider            |               |
| 5,050,764 | A   | 9/1991  | Voss              |               |
| 5,123,795 | A   | 6/1992  | Engel et al.      |               |
| 5,361,925 | A   | 11/1994 | Wecke et al.      |               |
| D374,429  | S * | 10/1996 | Blais et al.      | ..... D13/156 |
| 5,865,336 | A   | 2/1999  | Krzywdziak et al. |               |

**OTHER PUBLICATIONS**

Ipex Technologies Inc., Box and Gasket Assembly, Jul. 19, 2011, 1 page containing 3 photo views, Mississauga ON Canada.

*Primary Examiner* — Ian Simmons  
*Assistant Examiner* — Rhea Shields

(57) **CLAIM**

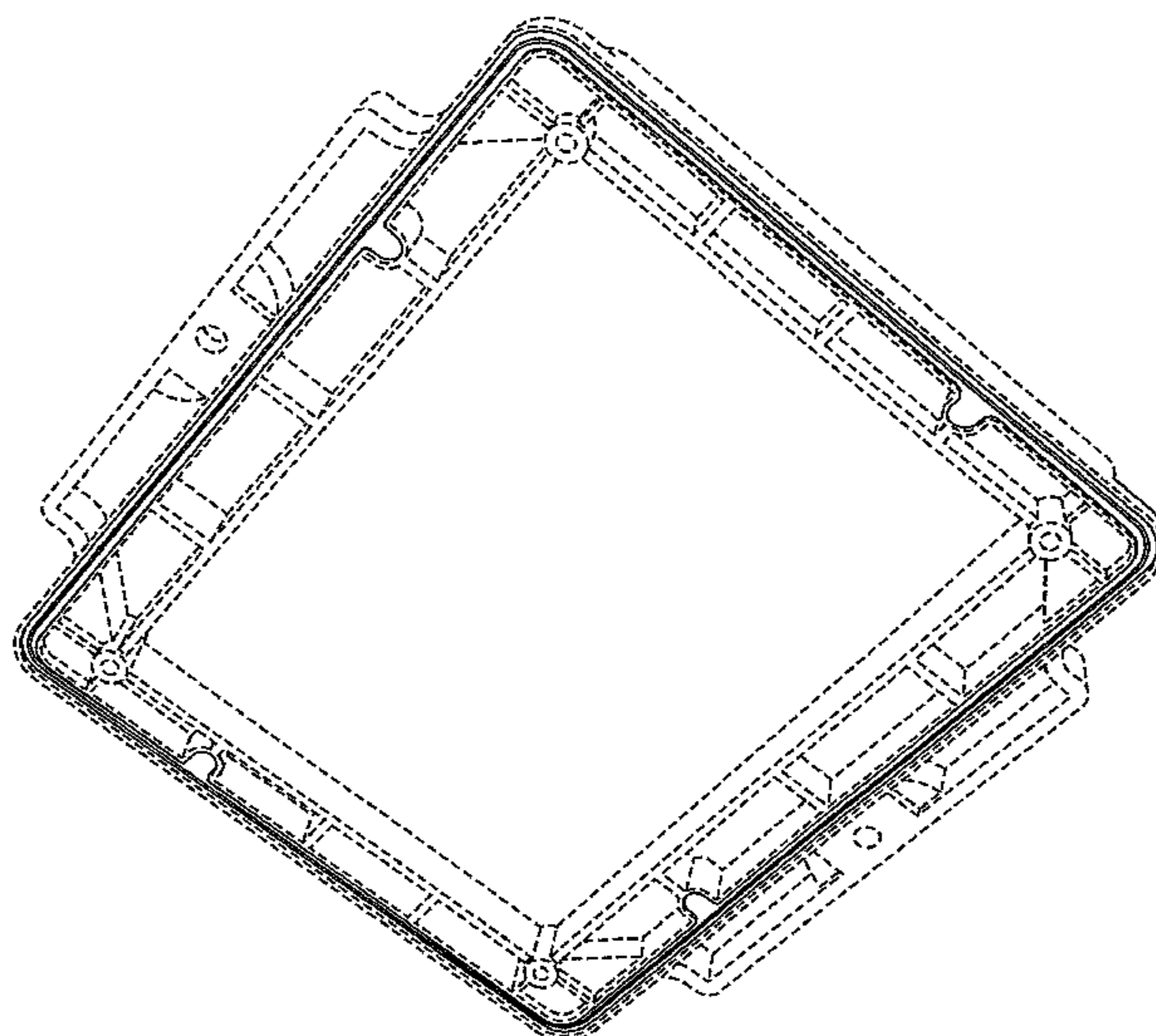
I claim the ornamental design for an electrical junction box gasket, as shown and described.

**DESCRIPTION**

FIG. 1 is a perspective view taken from the bottom and one side of the design;  
FIG. 2 is a front elevational view of the design shown in FIG. 1;  
FIG. 3 is a right side elevational view of the design shown in FIG. 1;  
FIG. 4 is a rear elevational view of the design shown in FIG. 1;  
FIG. 5 is a left side elevational view of the design shown in FIG. 1;  
FIG. 6 is a top elevational view of the design shown in FIG. 1; and,  
FIG. 7 is a bottom elevational view of the design shown in FIG. 1.

The broken line portions in the drawings are for illustrative purposes and do not form part of the claimed design.

**1 Claim, 4 Drawing Sheets**



(56)

**References Cited**

U.S. PATENT DOCUMENTS

D593,970 S \* 6/2009 Sonntag ..... D13/184  
7,607,553 B2 10/2009 Weber  
D606,033 S \* 12/2009 Sonntag ..... D13/184

D638,367 S \* 5/2011 Isaacks et al. .... D13/152  
7,997,841 B2 8/2011 Show et al.  
D688,241 S \* 8/2013 Miller et al. .... D14/385  
2011/0262243 A1 10/2011 Glickman

\* cited by examiner

Fig.1

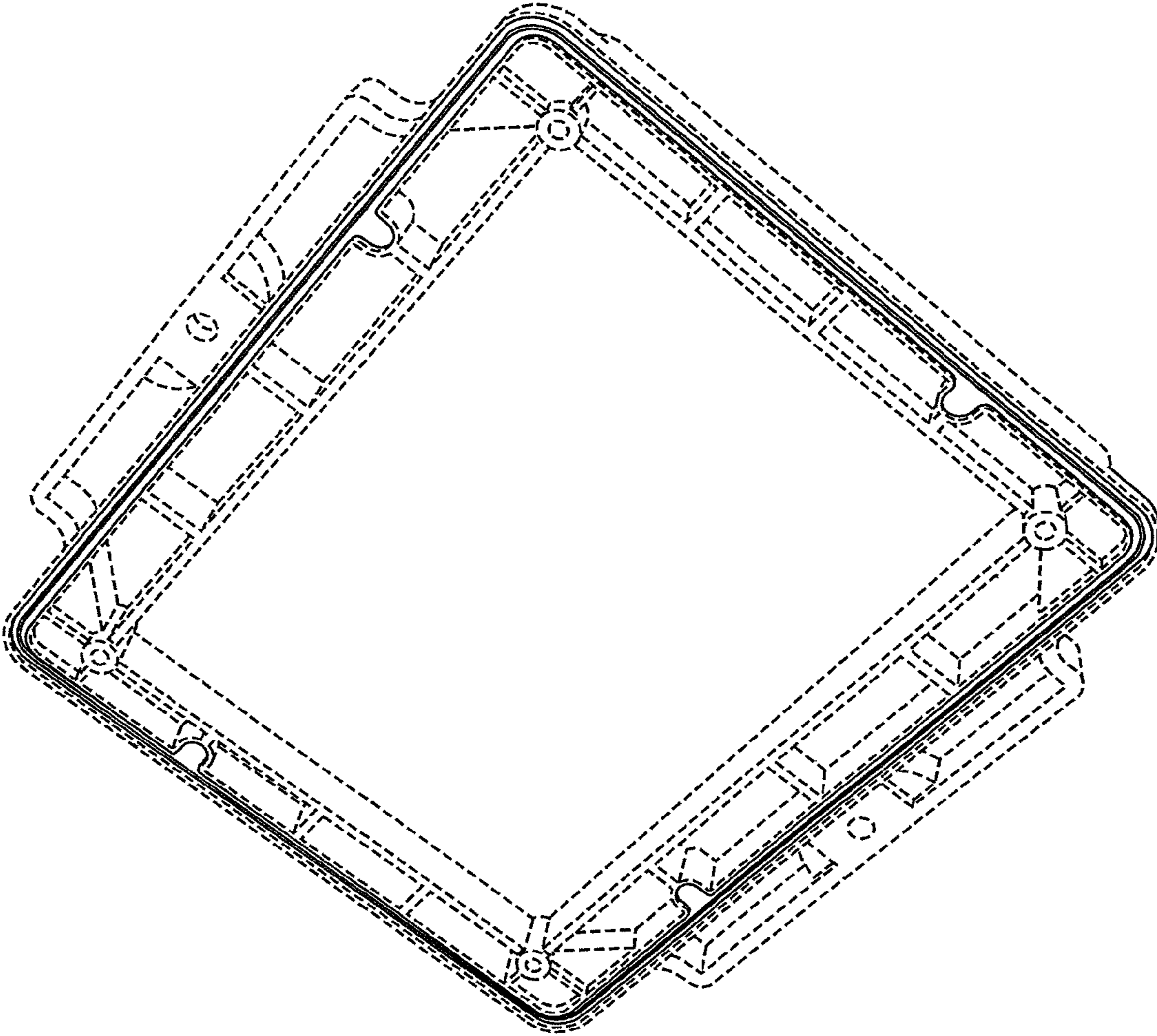


Fig.2

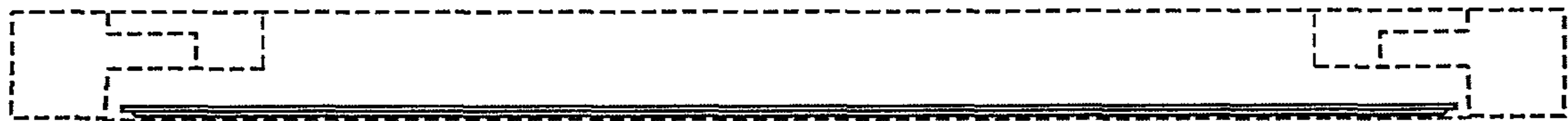


Fig.3

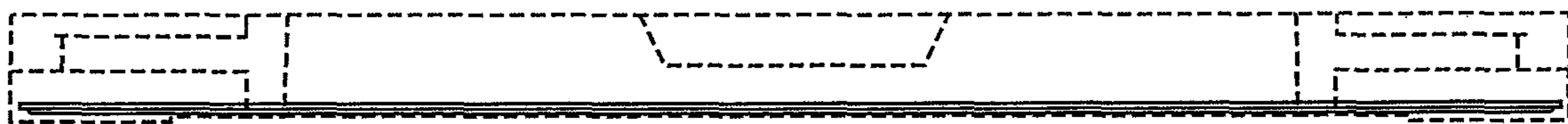


Fig.4

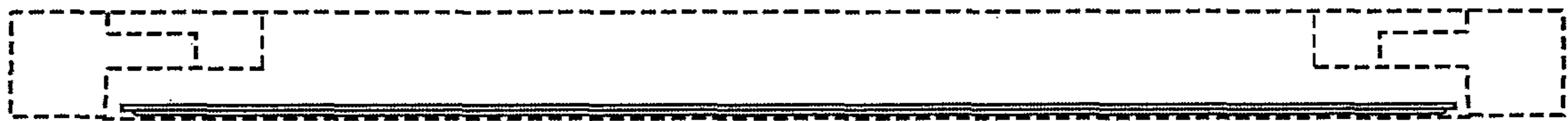


Fig.5

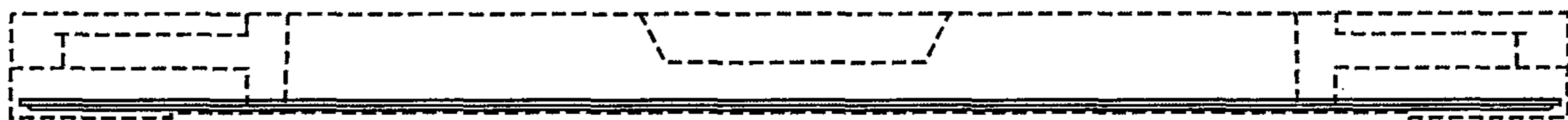


Fig.6

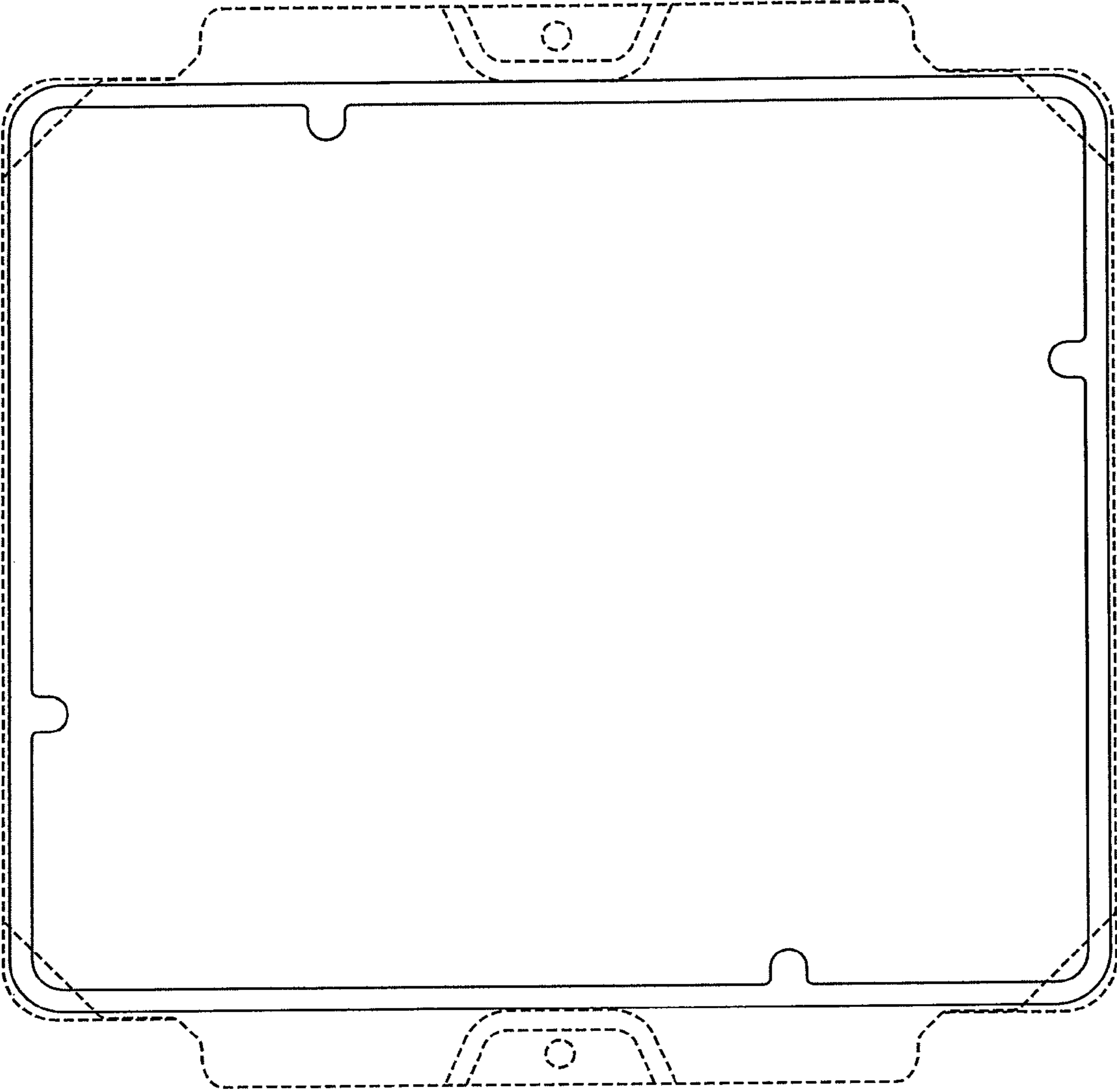


Fig.7

