



US00D711833S

(12) **United States Design Patent**
Gagne et al.

(10) **Patent No.:** **US D711,833 S**
(45) **Date of Patent:** **** Aug. 26, 2014**

(54) **ELECTRIC DEVICE MOUNTING BRACKET**

(75) Inventors: **Jean-Guy Gagne**, Etobicoke (CA);
James W. Rogers, Toronto (CA)

(73) Assignee: **Brainwave Research Corporation**,
Woodbridge, Ontario (CA)

(**) Term: **14 Years**

(21) Appl. No.: **29/420,549**

(22) Filed: **May 10, 2012**

(51) **LOC (10) Cl.** **13-03**

(52) **U.S. Cl.**
USPC **D13/152**

(58) **Field of Classification Search**

USPC D13/152, 164, 184, 137.1, 139.1, 153,
D13/137.2, 133, 137.4, 139.7, 130, 128,
D13/132, 138.2, 139.3, 139.4, 139.8, 139.6,
D13/123, 160, 107; 361/683; D9/416, 423;
52/173.1, 656.2; 248/231.91

See application file for complete search history.

(56) **References Cited**

U.S. PATENT DOCUMENTS

5,138,802	A *	8/1992	Lechner	312/245
5,369,922	A *	12/1994	Hansen	52/204.54
5,509,528	A *	4/1996	Weisburn	206/45.24
7,166,801	B1 *	1/2007	Gretz	174/53
7,179,994	B2 *	2/2007	Elberson	174/58
D579,879	S *	11/2008	Wegner et al.	D13/152
7,975,976	B2 *	7/2011	Wohlford	248/282.1
2012/0240490	A1 *	9/2012	Gangemi	52/173.3
2013/0036703	A1 *	2/2013	Gagne et al.	52/656.2

OTHER PUBLICATIONS

http://www.electricsupplyonline.com/prod/wiremold-surface_race-way_outlet_plates/g4050...*

<http://www.pronto.com/compare/arlington-industries-be4-outlet-box-11516034989>.*

* cited by examiner

Primary Examiner — Ian Simmons

Assistant Examiner — Rhea Shields

(74) *Attorney, Agent, or Firm* — Perry + Currier Inc.

(57) **CLAIM**

The ornamental design for an electric device mounting bracket, as shown and described.

DESCRIPTION

FIG. 1 is a front perspective view of an electric device mounting bracket showing the design in a retracted position; FIG. 2 is a front elevation view of the design of FIG. 1; FIG. 3 is a left side elevation view of the design of FIG. 1, wherein the right side elevation view is a mirror image thereof;

FIG. 4 is a plan view of the design of FIG. 1, wherein the bottom view is a mirror image thereof;

FIG. 5 is a rear view of the design of FIG. 1;

FIG. 6 is a front perspective view of an electric device mounting bracket showing the design in an extended position;

FIG. 7 is a front elevation view of the design of FIG. 6;

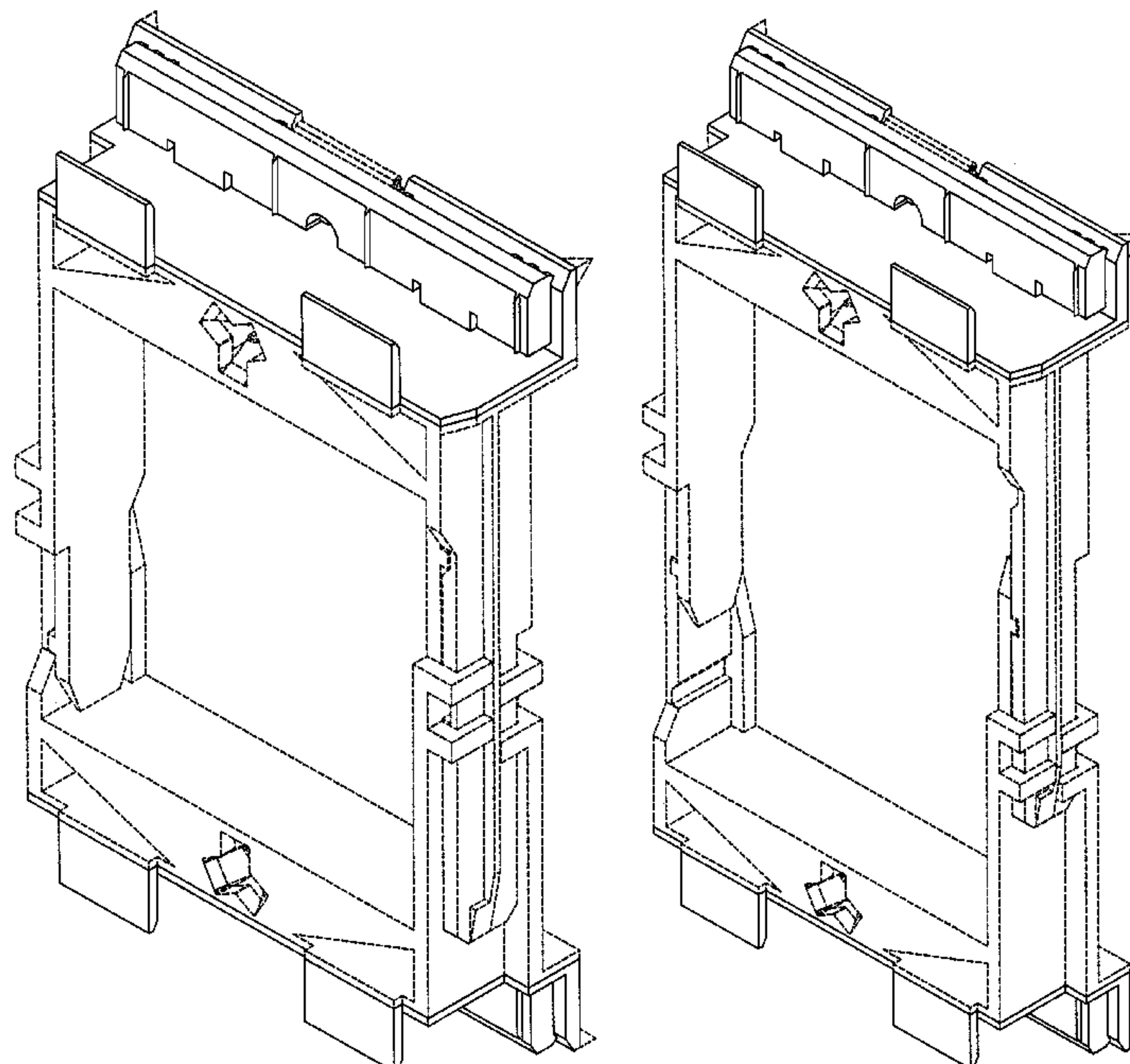
FIG. 8 is a left side elevation view of the design of FIG. 6, wherein the right side elevation view is a mirror image thereof;

FIG. 9 is a plan view of the design of FIG. 6, wherein the bottom view is a mirror image thereof; and,

FIG. 10 is a rear view of the design of FIG. 6.

In the drawings, the broken lines depict environmental subject matter only and form no part of the claimed design.

1 Claim, 10 Drawing Sheets



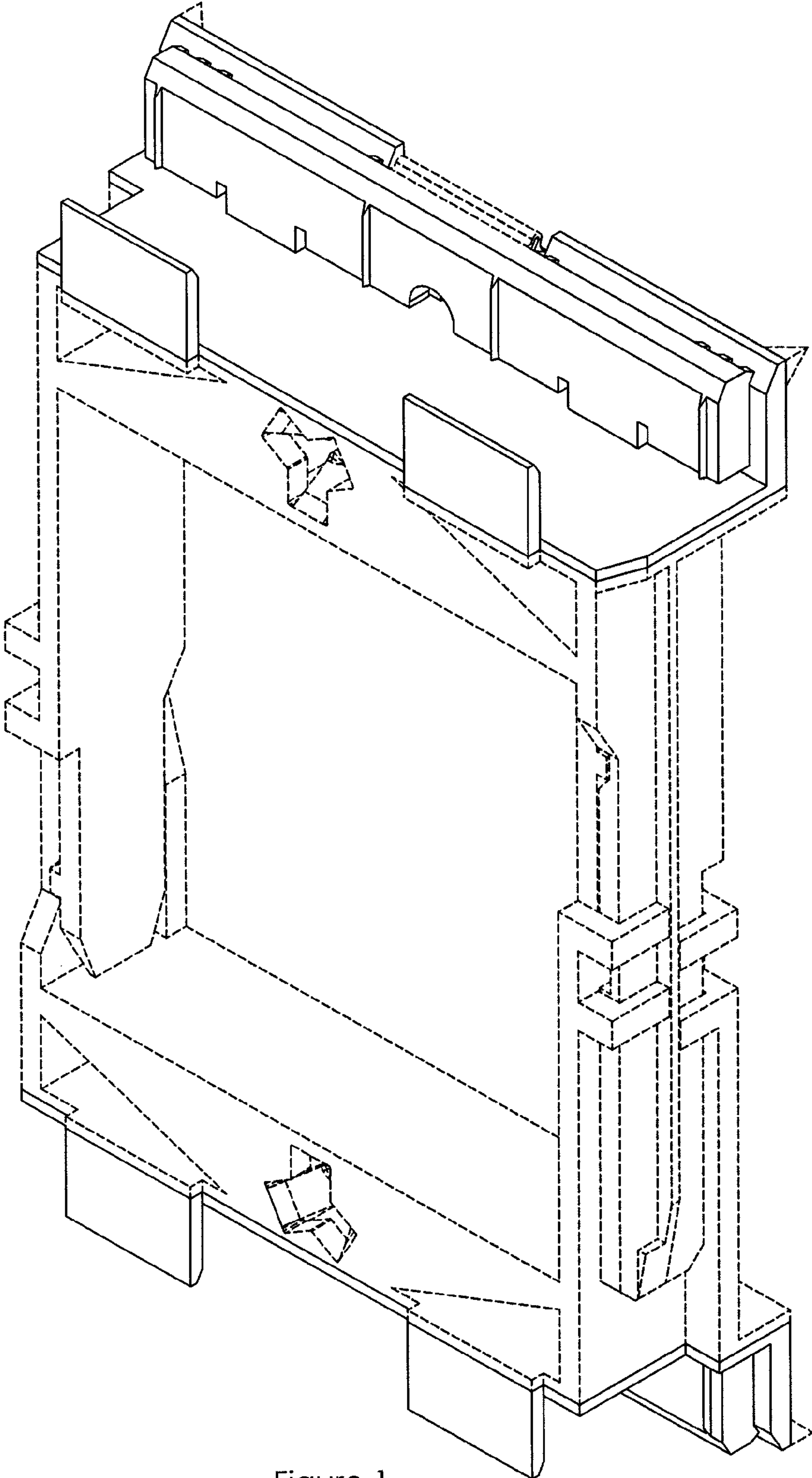


Figure 1

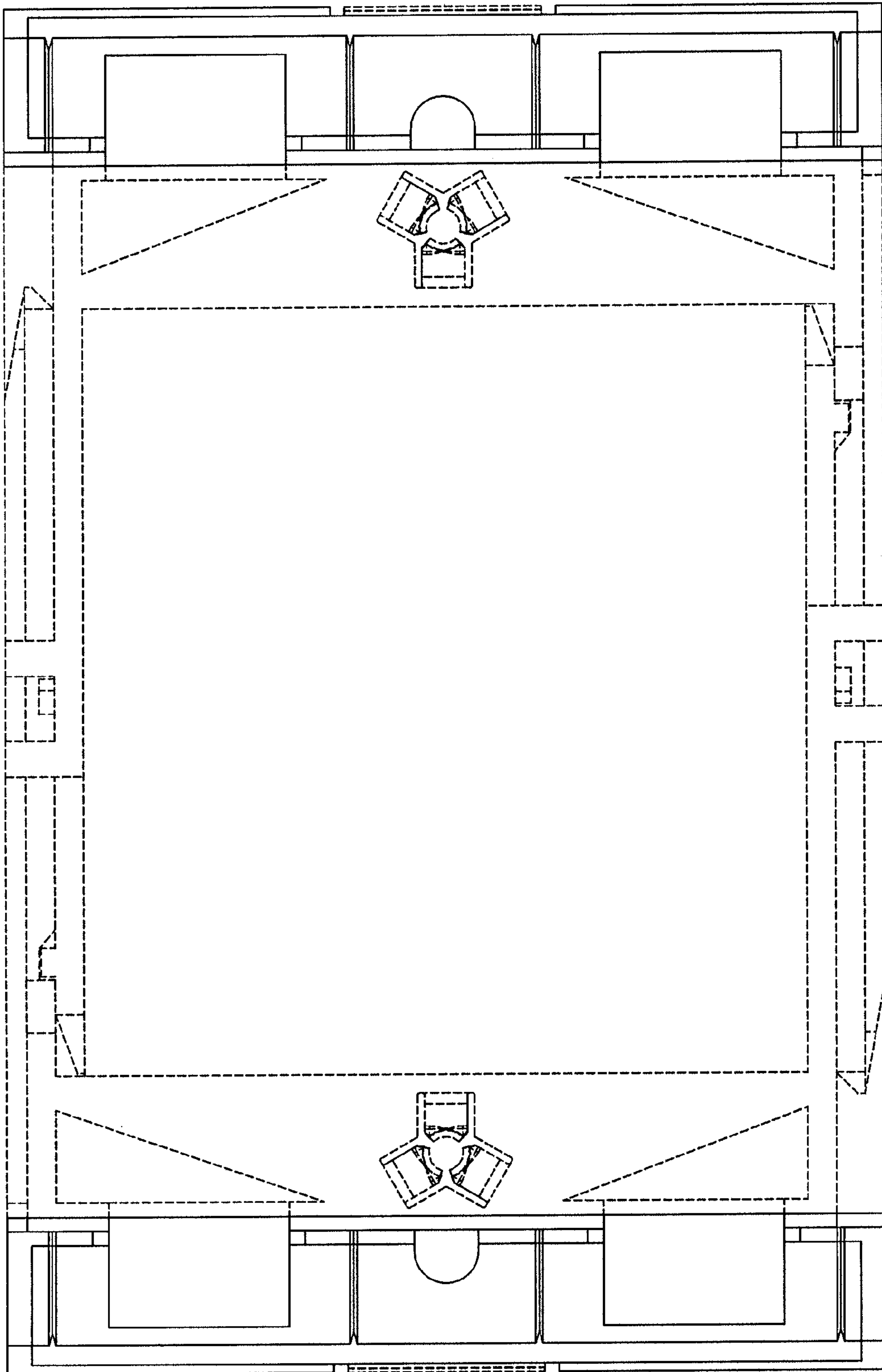


Figure 2

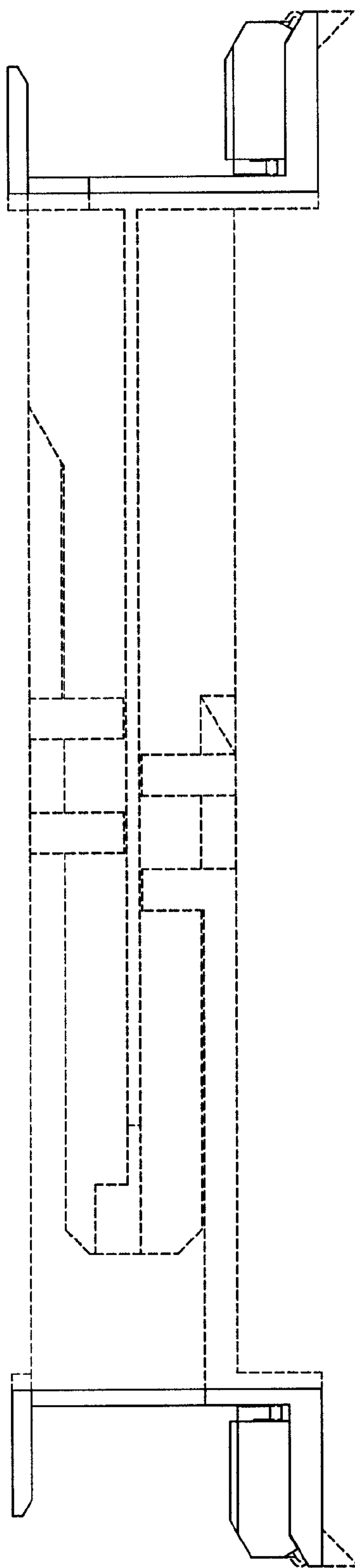


Figure 3

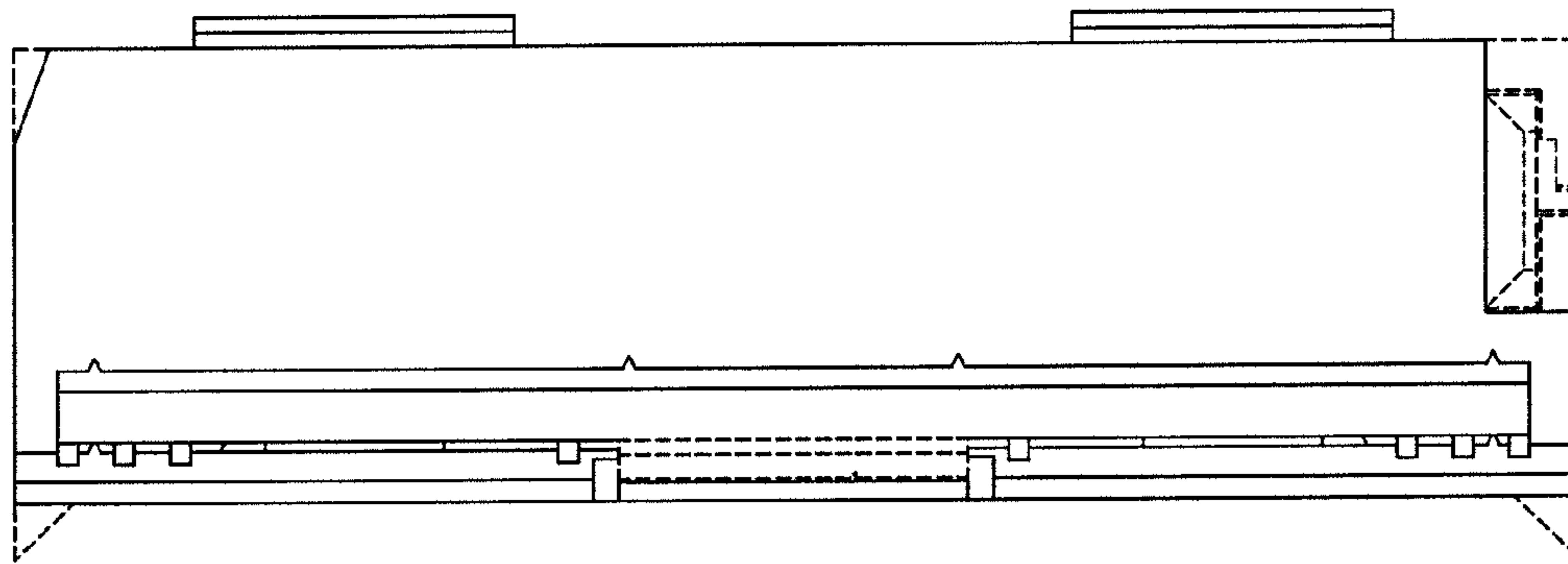


Figure 4

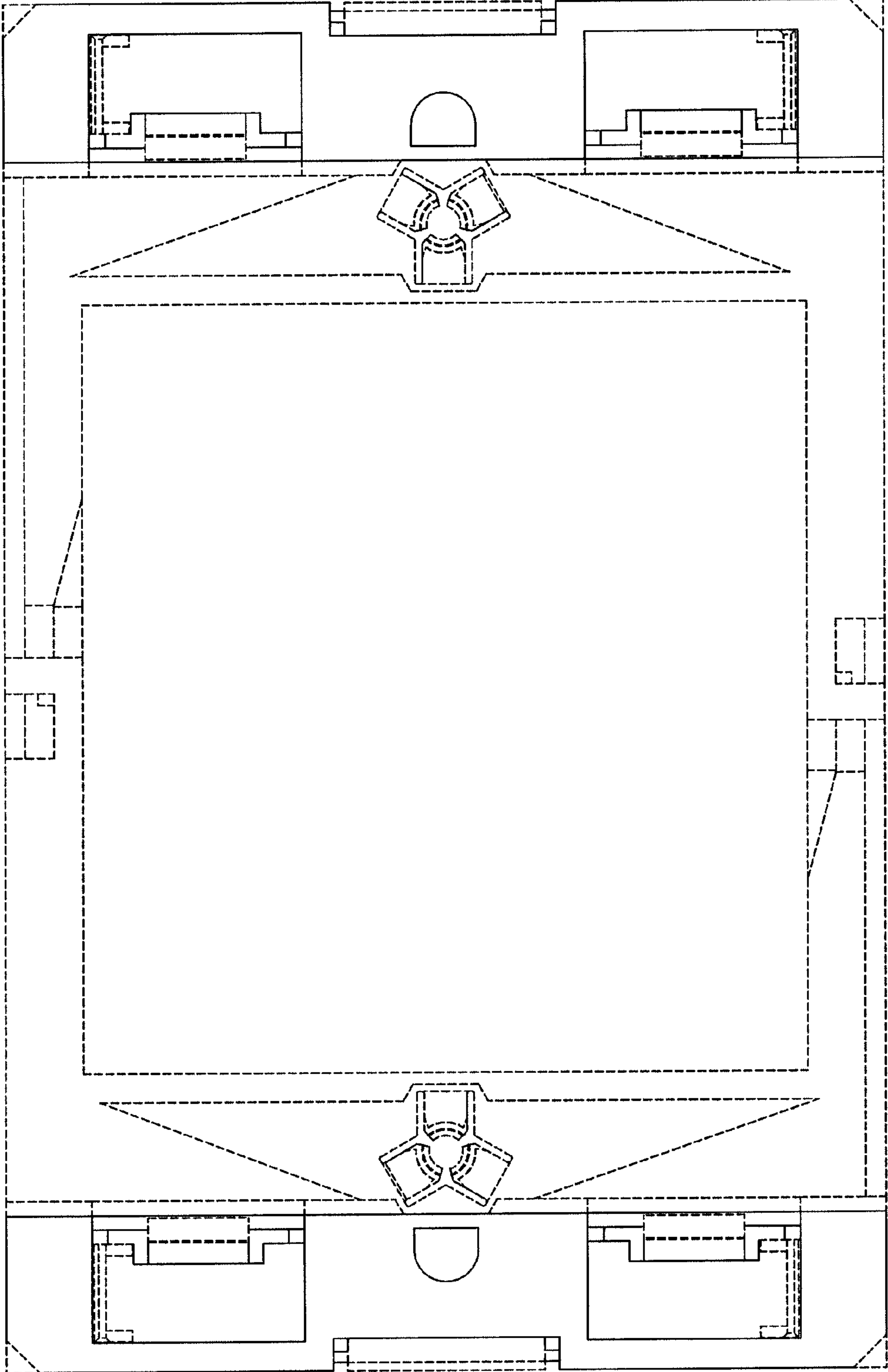


Figure 5

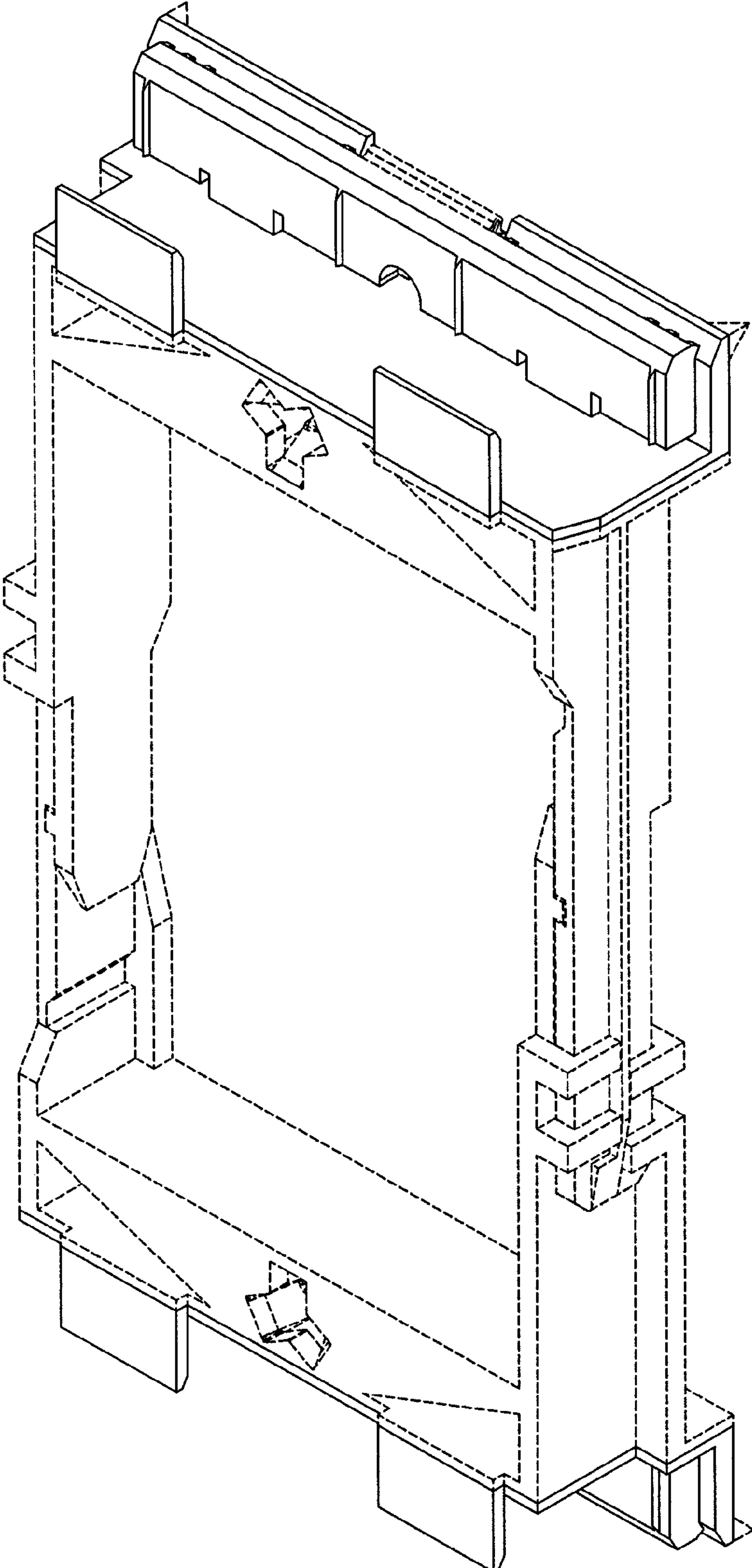


Figure 6

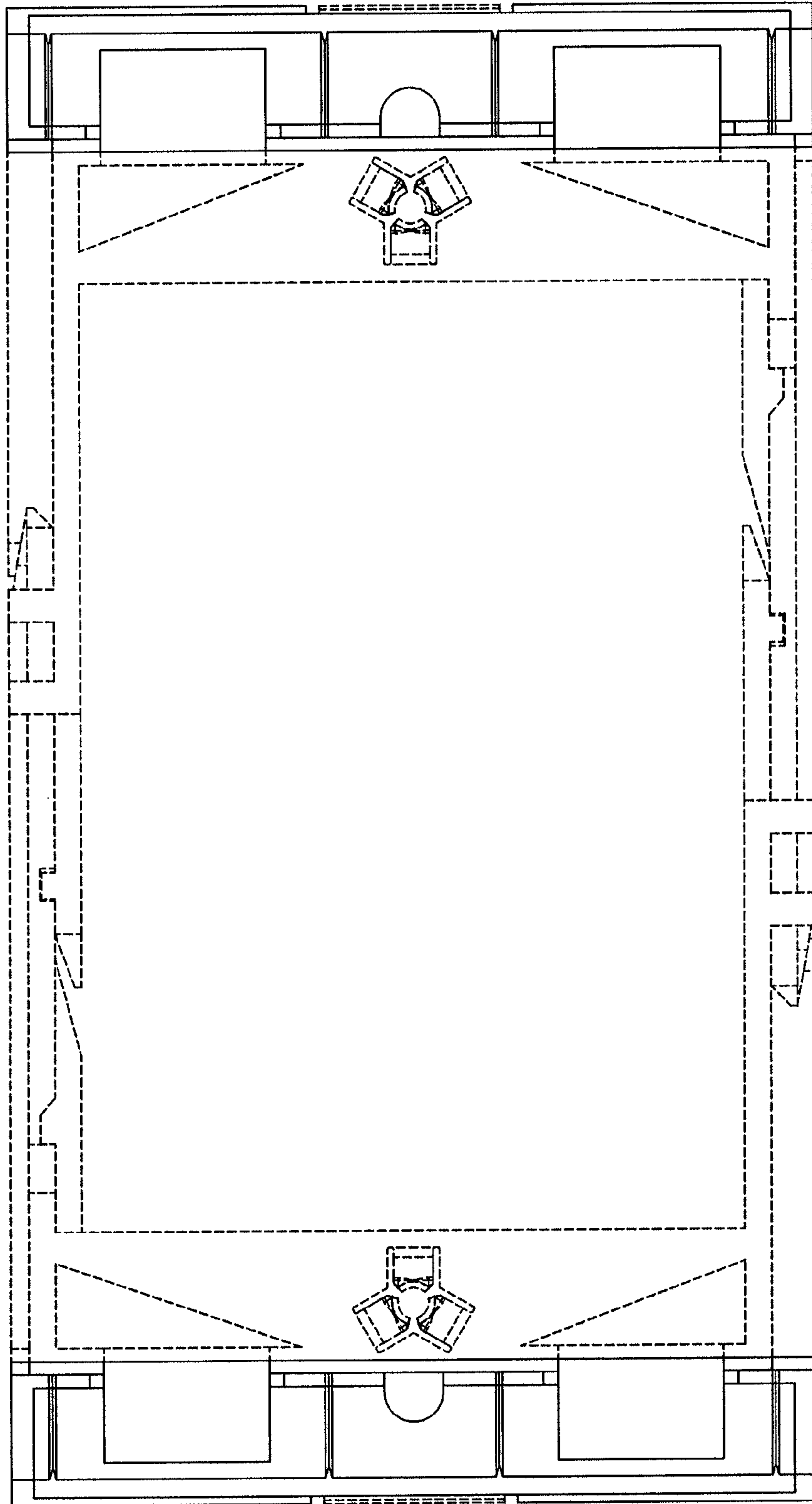


Figure 7

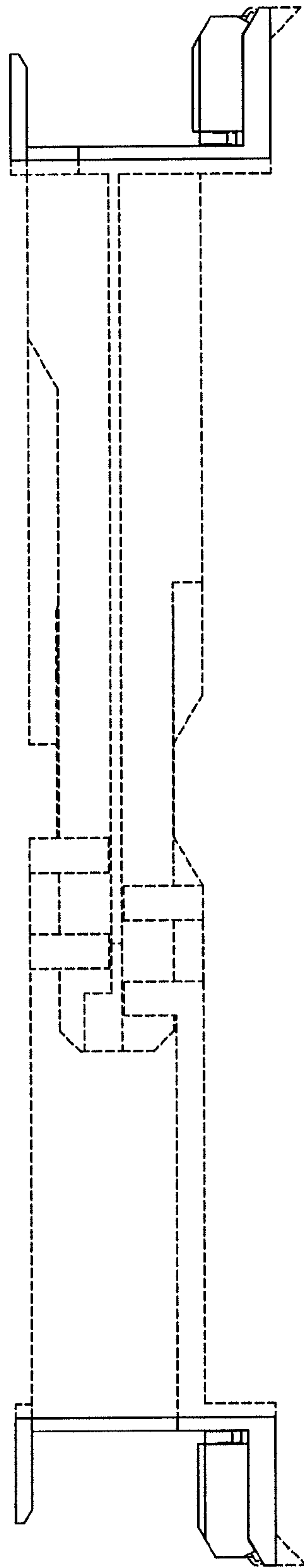


Figure 8

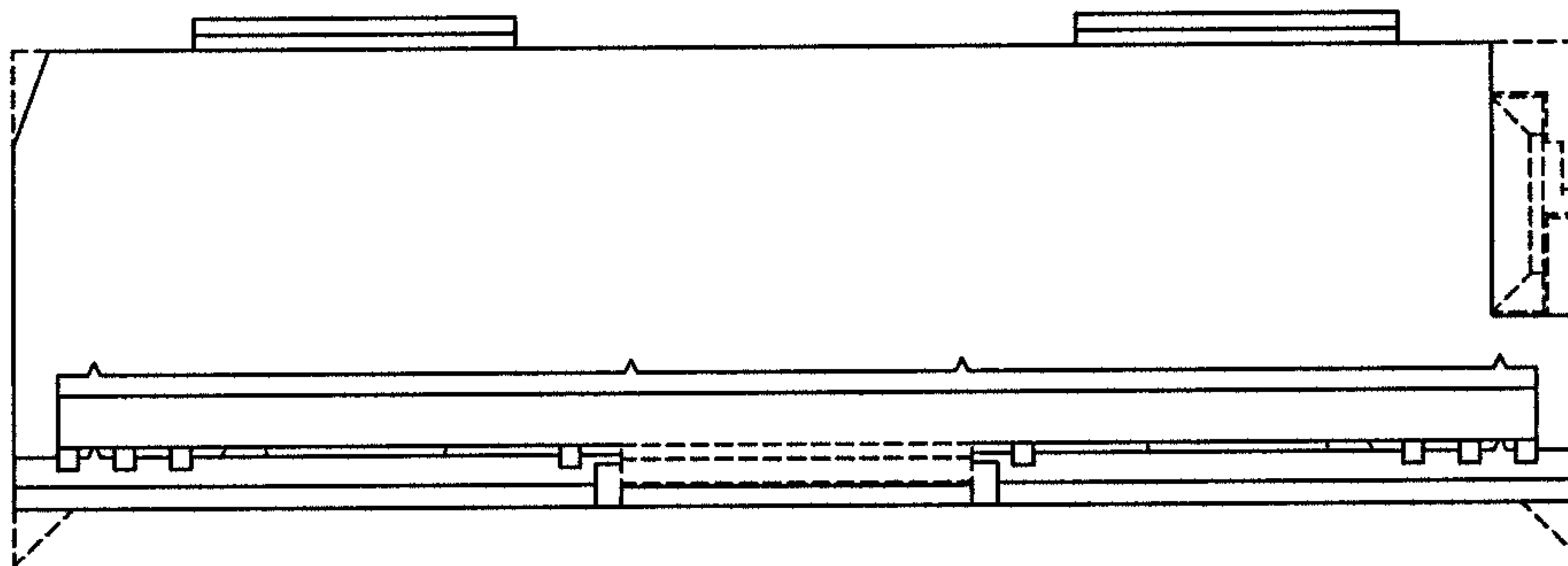


Figure 9

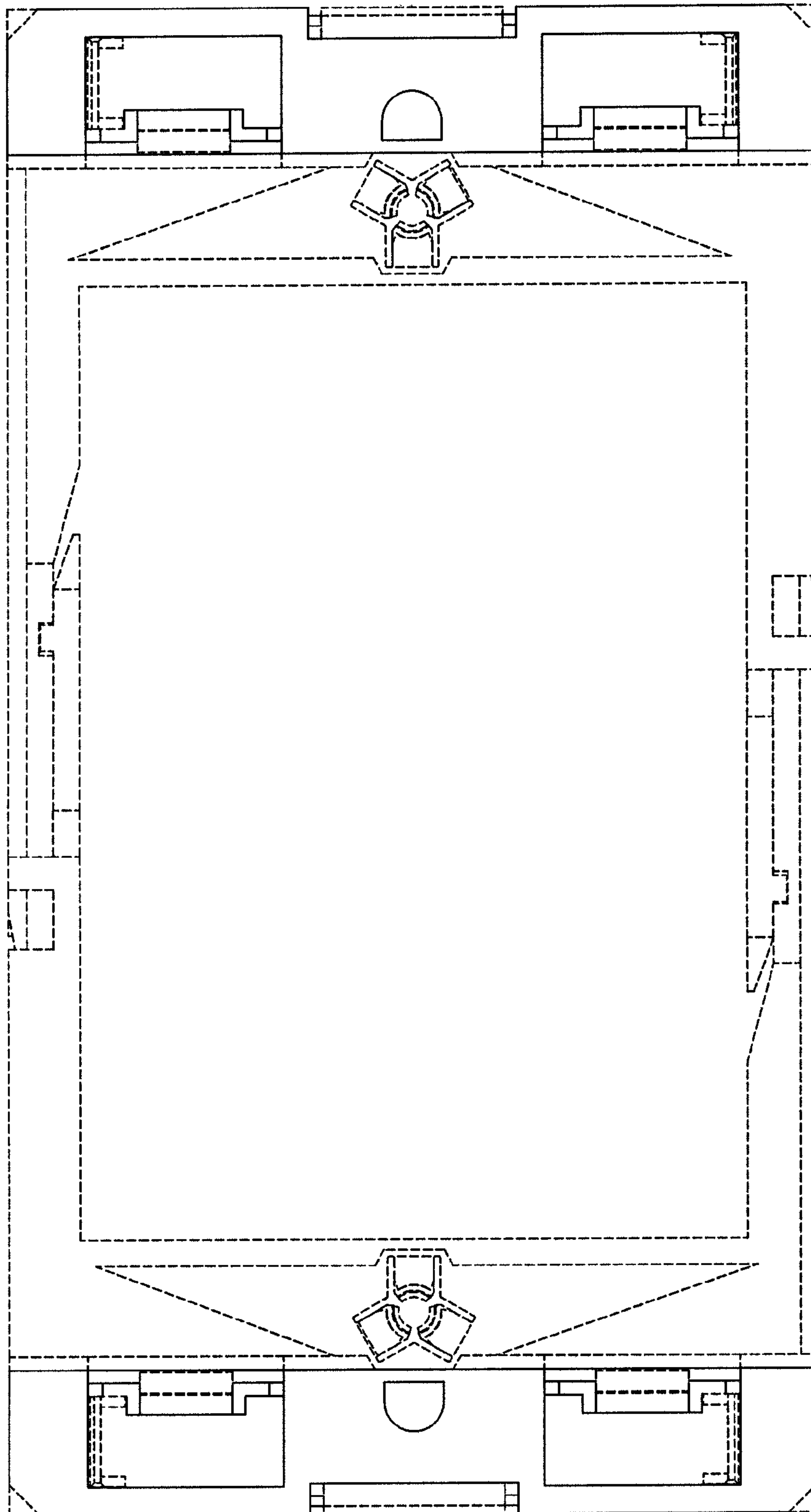


Figure 10