



US00D711831S

(12) **United States Design Patent**  
**Müller**

(10) **Patent No.:** **US D711,831 S**

(45) **Date of Patent:** **\*\* Aug. 26, 2014**

(54) **ELECTRICAL CONNECTOR**

(75) Inventor: **Gerwin Müller**, Kiel (DE)

(73) Assignee: **Phoenix Contract GmbH & Co. KG**,  
Blomberg (DE)

(\*\*) Term: **14 Years**

(21) Appl. No.: **29/430,149**

(22) Filed: **Aug. 22, 2012**

(30) **Foreign Application Priority Data**

Feb. 22, 2012 (EM) ..... 001996653-0008

(51) **LOC (10) Cl.** ..... **13-03**

(52) **U.S. Cl.**  
USPC ..... **D13/146**

(58) **Field of Classification Search**  
USPC ..... D13/107–109, 118–119, 133, 146, 147,  
D13/154, 184, 199; 320/104, 107–115,  
320/FOR. 104, FOR. 119, DIG. 35  
See application file for complete search history.

(56) **References Cited**

**U.S. PATENT DOCUMENTS**

5,536,173 A \* 7/1996 Fujitani et al. .... 439/34  
5,614,808 A \* 3/1997 Konoya et al. .... 320/109

5,627,448 A \* 5/1997 Okada et al. .... 439/133  
D608,737 S \* 1/2010 Upham et al. .... D13/147  
D620,453 S \* 7/2010 Corless et al. .... D13/154  
D673,122 S \* 12/2012 Huss et al. .... D13/146  
D675,570 S \* 2/2013 Muller ..... D13/147  
D675,989 S \* 2/2013 Sebold et al. .... D13/146

\* cited by examiner

*Primary Examiner* — Daniel Bui

(74) *Attorney, Agent, or Firm* — Meister Seelig & Fein LLP

(57) **CLAIM**

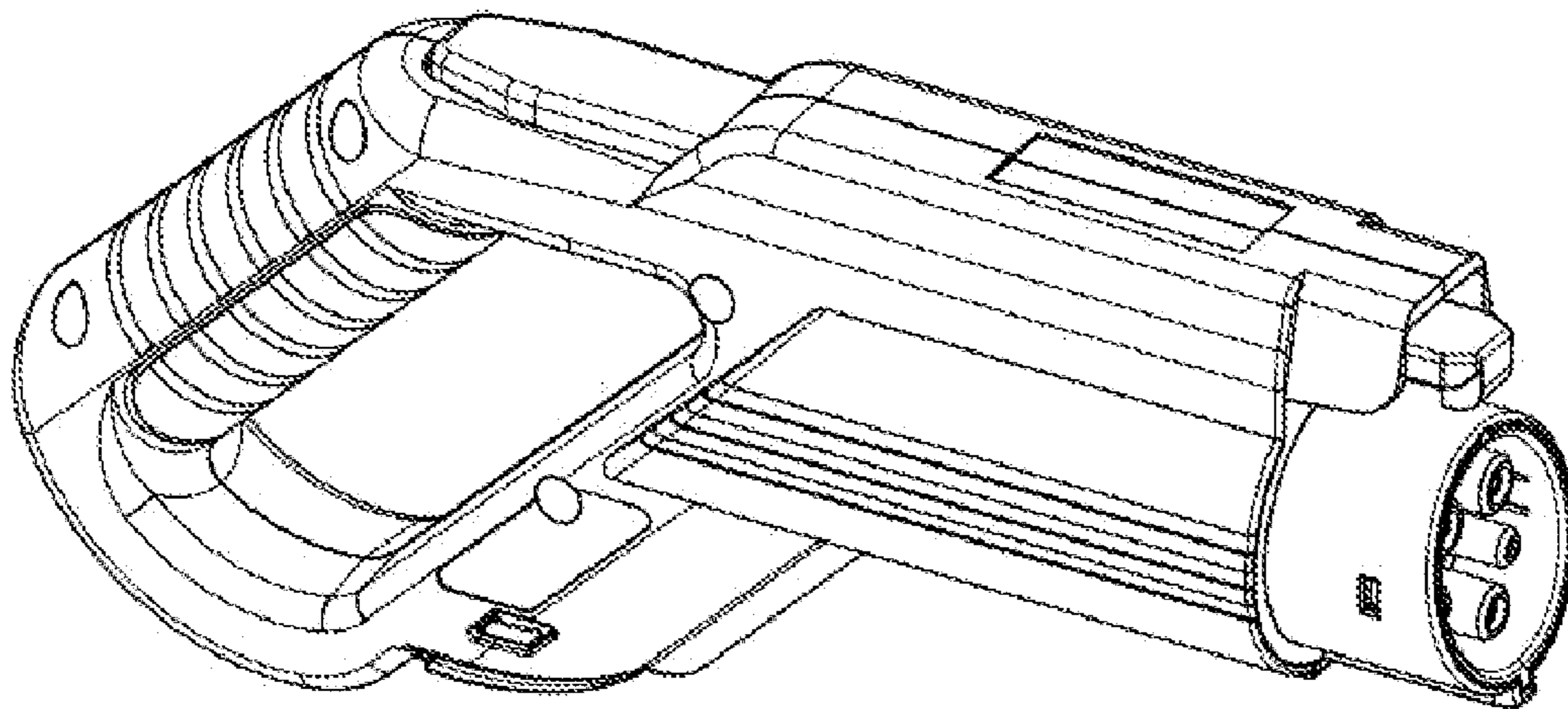
The ornamental design for an electrical connector, as shown and described.

**DESCRIPTION**

FIG. 1 is a front, top, and right side perspective view of an electrical connector showing my design;  
FIG. 2 is a right side view thereof;  
FIG. 3 is a left side view thereof;  
FIG. 4 is a top view thereof;  
FIG. 5 is a bottom view thereof;  
FIG. 6 is a rear view thereof; and,  
FIG. 7 is a front view thereof.

Broken lines are included in the figure drawing views to illustrate unclaimed environment only and forms no parts of the design.

**1 Claim, 5 Drawing Sheets**



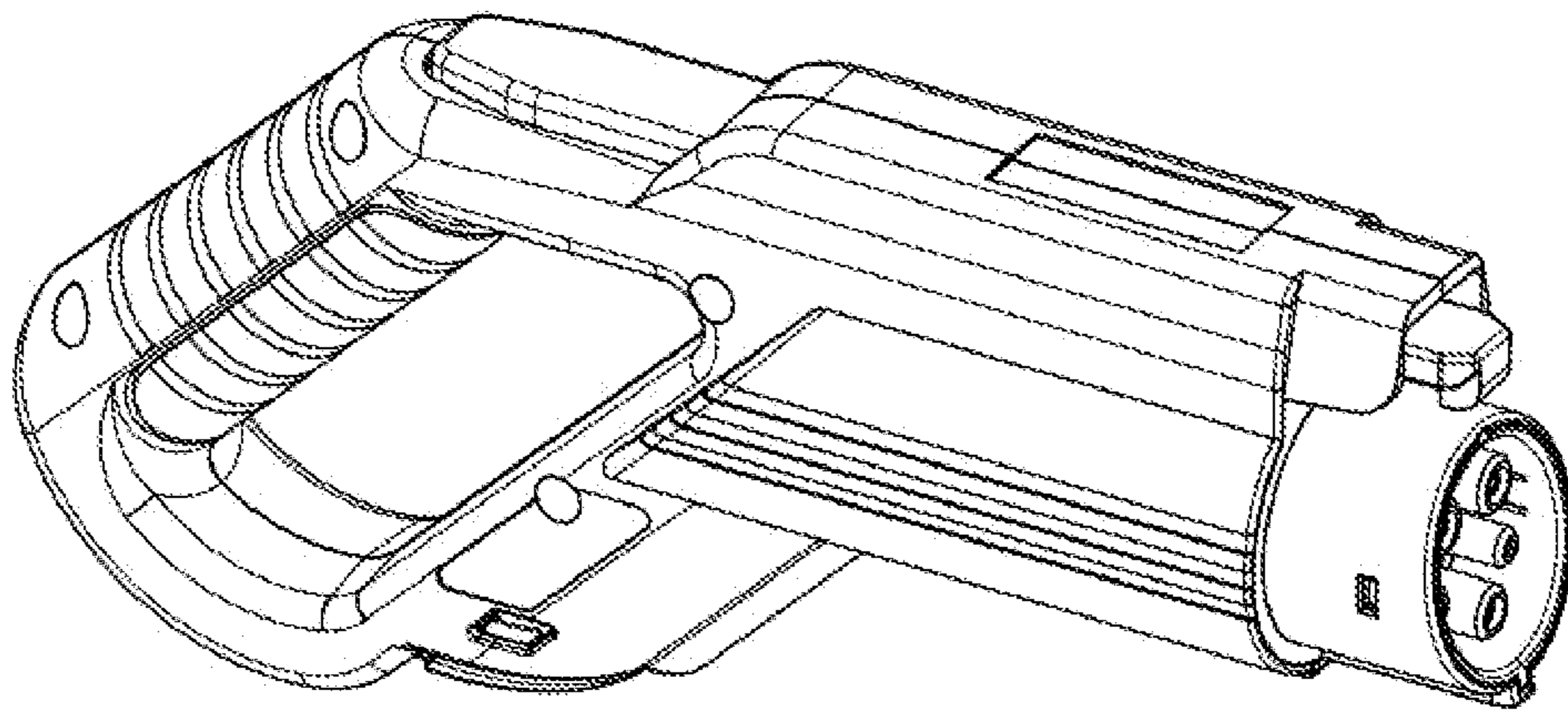


FIG. 1

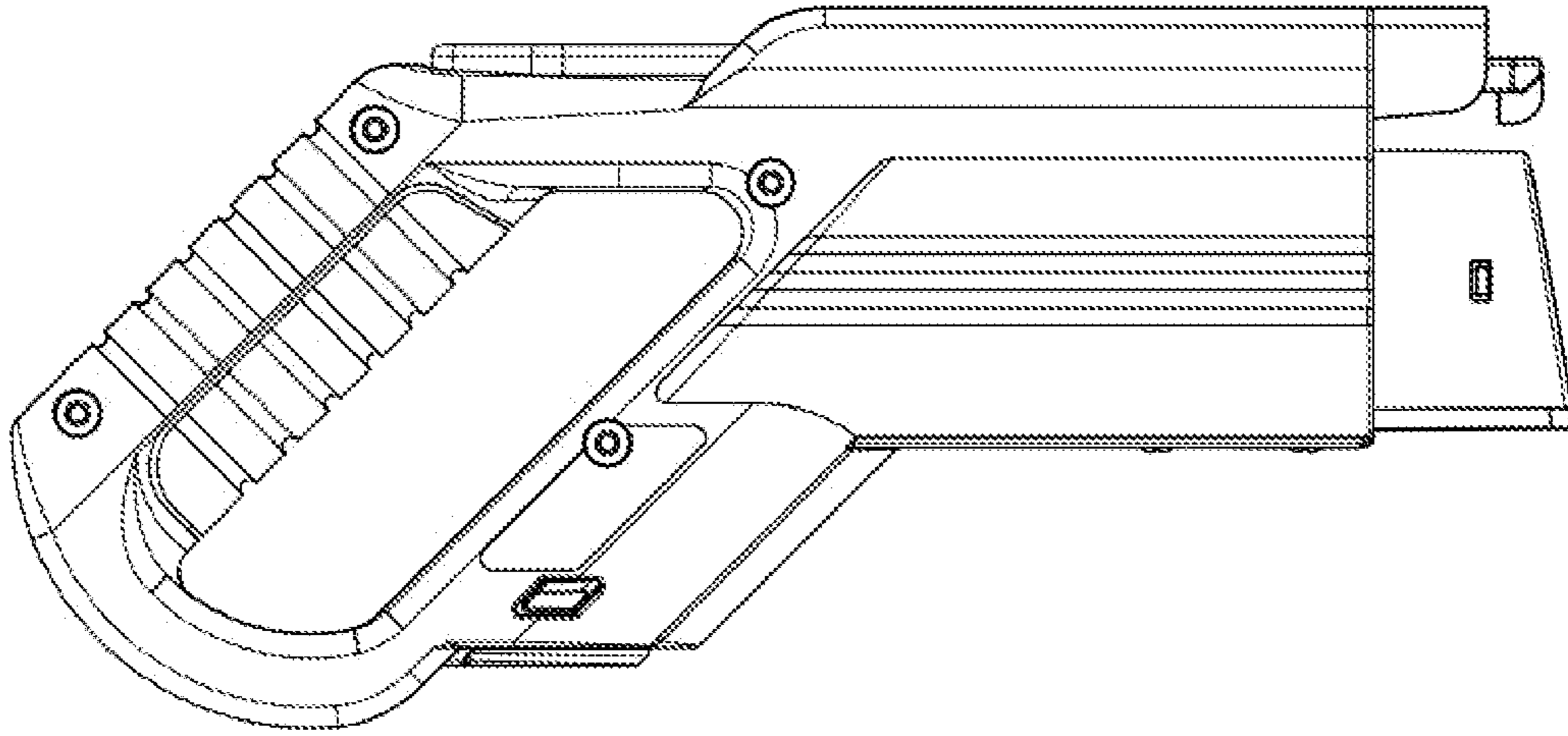


FIG. 2

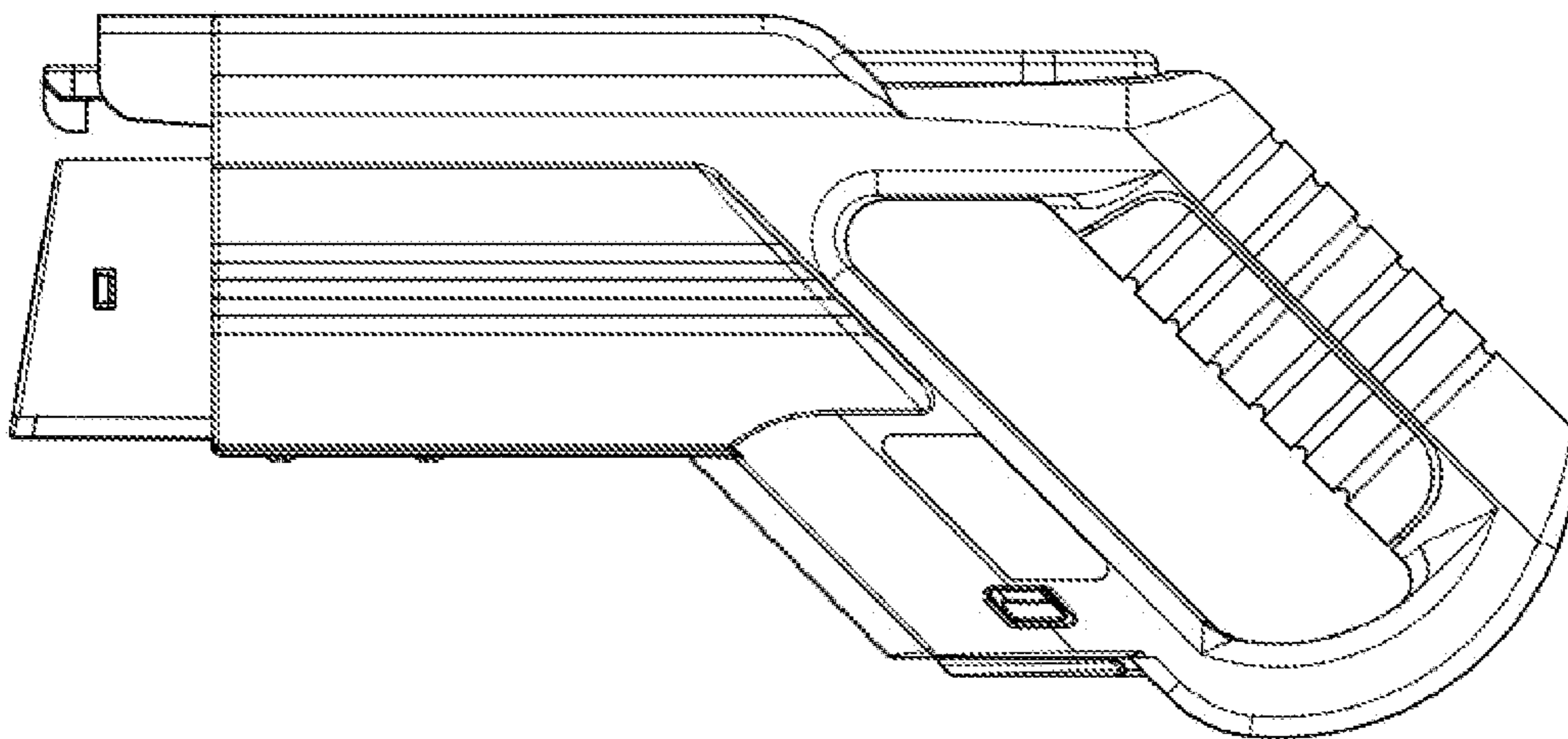


FIG. 3

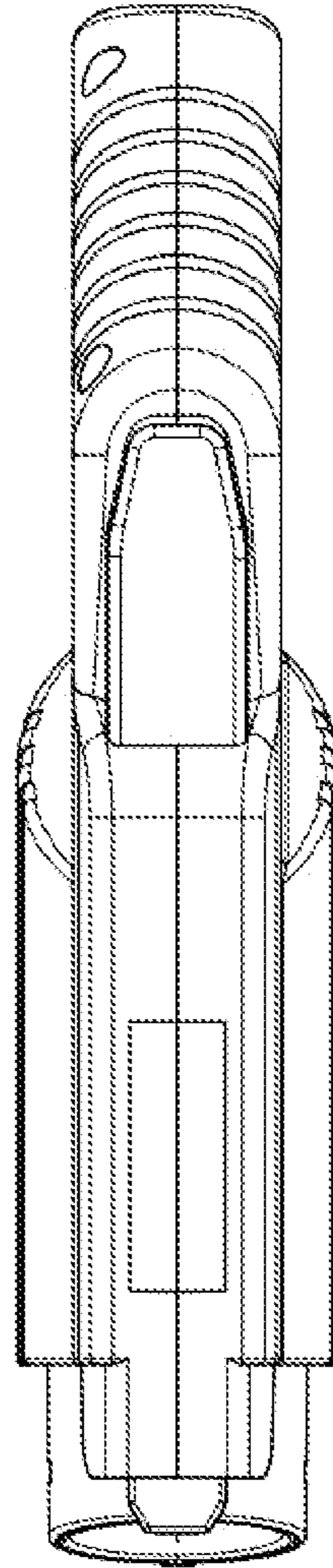


FIG. 4



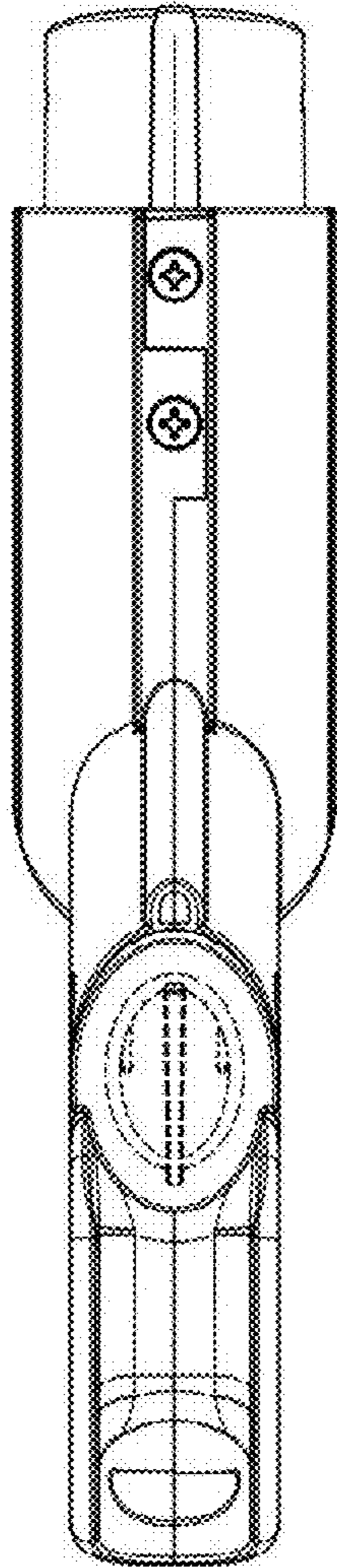


FIG. 5

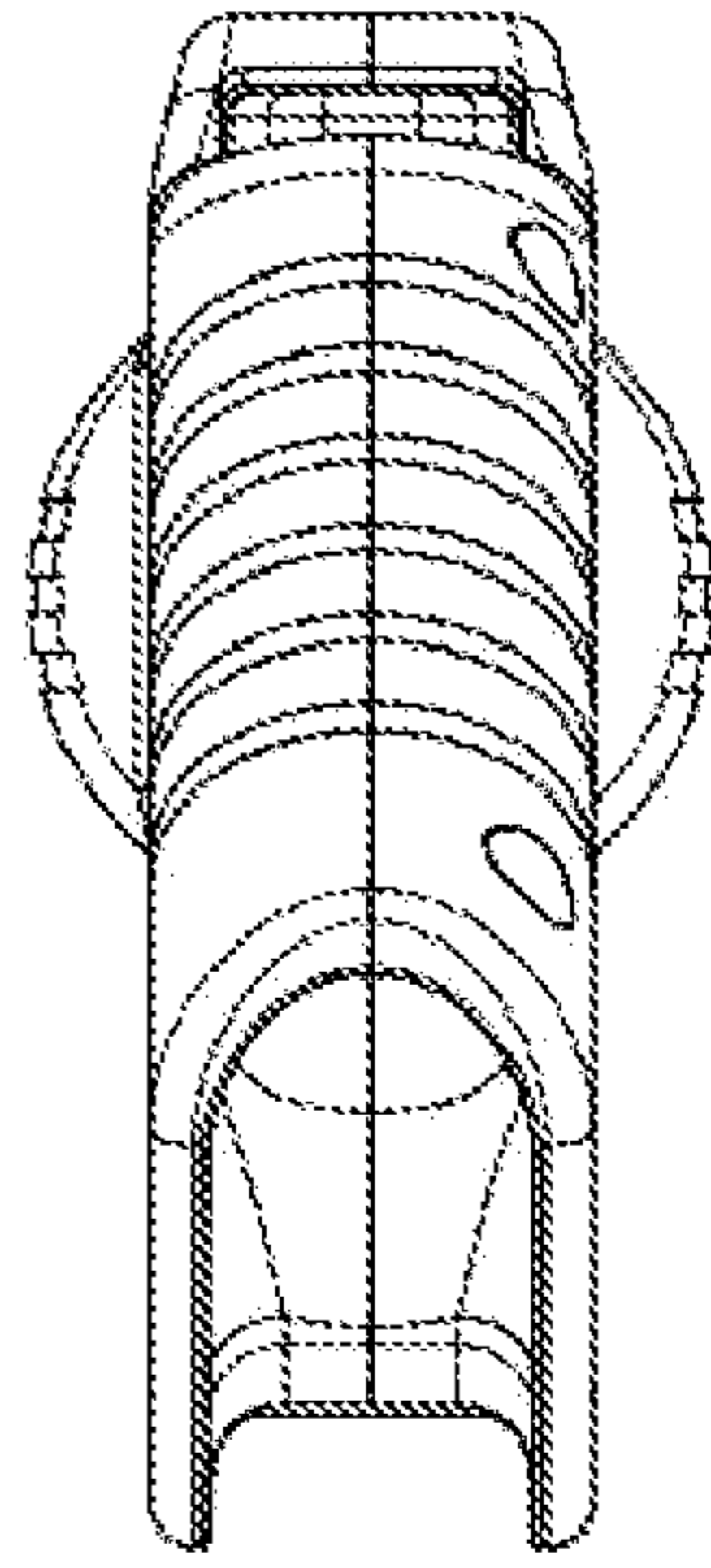


FIG. 6

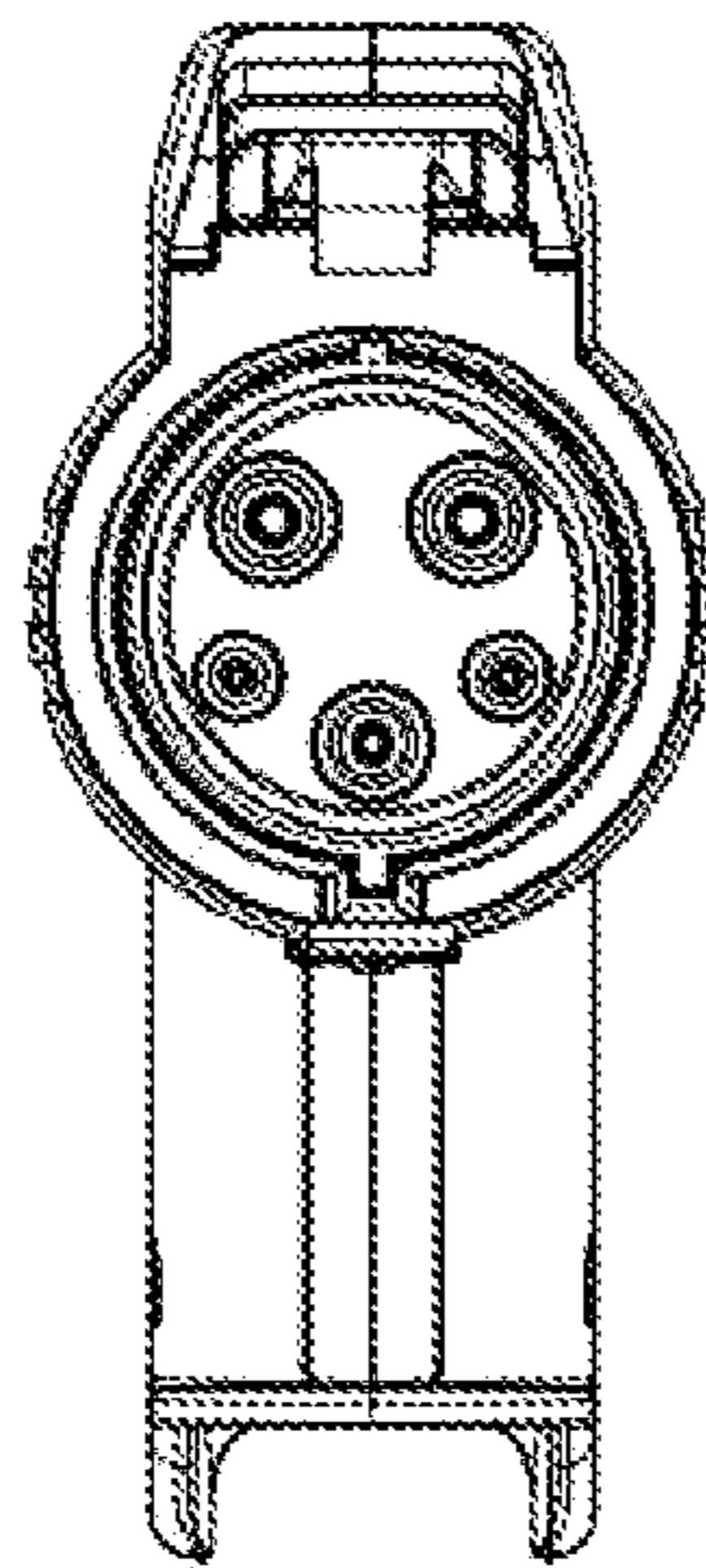


FIG. 7