



US00D711830S

(12) **United States Design Patent**
Liu

(10) **Patent No.:** **US D711,830 S**

(45) **Date of Patent:** **** Aug. 26, 2014**

(54) **CHARGER**

(71) Applicant: **Qiuming Liu**, Shenzhen (CN)

(72) Inventor: **Qiuming Liu**, Shenzhen (CN)

(**) Term: **14 Years**

(21) Appl. No.: **29/464,461**

(22) Filed: **Aug. 16, 2013**

(30) **Foreign Application Priority Data**

Jul. 24, 2013 (CN) 2013 3 0349010

(51) **LOC (10) Cl.** **13-03**

(52) **U.S. Cl.**
USPC **D13/144**

(58) **Field of Classification Search**
USPC D13/144, 101, 107, 108, 110, 118, 119,
D13/133, 184, 199; D14/155, 432, 433,
D14/434, 435.1, 356, 480.1, 480.7;
320/107, 108, 109, 110, 111, 112, 113,
320/114, 115; 439/300, 620.01, 638, 668,
439/669, 675, 825; 363/146

See application file for complete search history.

(56) **References Cited**

U.S. PATENT DOCUMENTS

D545,274 S *	6/2007	Dong	D13/144
D614,137 S *	4/2010	Son et al.	D13/144
D620,441 S *	7/2010	Hou	D13/144
D631,837 S *	2/2011	Smith et al.	D13/108
D635,923 S *	4/2011	Lin	D13/144
D656,465 S *	3/2012	Au	D13/144

* cited by examiner

Primary Examiner — Derrick Holland

(74) *Attorney, Agent, or Firm* — Morris Manning & Martin LLP; Tim Tingkang Xia, Esq.

(57) **CLAIM**

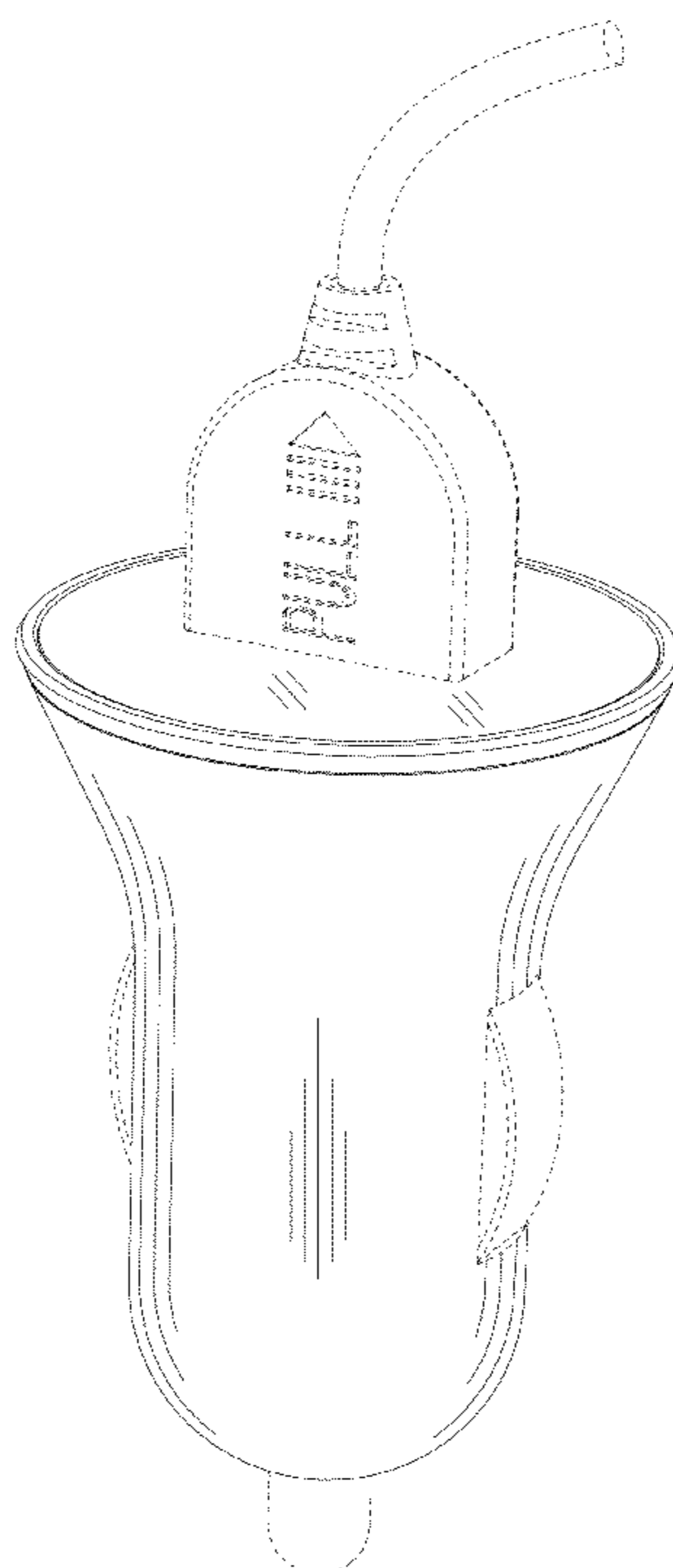
The ornamental design for a charger, as shown and described.

DESCRIPTION

FIG. 1 is a front elevational view of an embodiment of a charger;
 FIG. 2 is a rear elevational view of the embodiment of the charger;
 FIG. 3 is a top plan view of the embodiment of the charger;
 FIG. 4 is a bottom plan view of the embodiment of the charger;
 FIG. 5 is a left side elevational view of the embodiment of the charger;
 FIG. 6 is a right side elevational view of the embodiment of the charger;
 FIG. 7 is a first perspective view of the embodiment of the charger;
 FIG. 8 is a second perspective view of the embodiment of the charger;
 FIG. 9 is a first reference view of the embodiment of the charger; and,
 FIG. 10 is a second reference view of the embodiment of the charger.

The broken lines shown represent unclaimed subject matter and form no part of the claimed design.

1 Claim, 9 Drawing Sheets



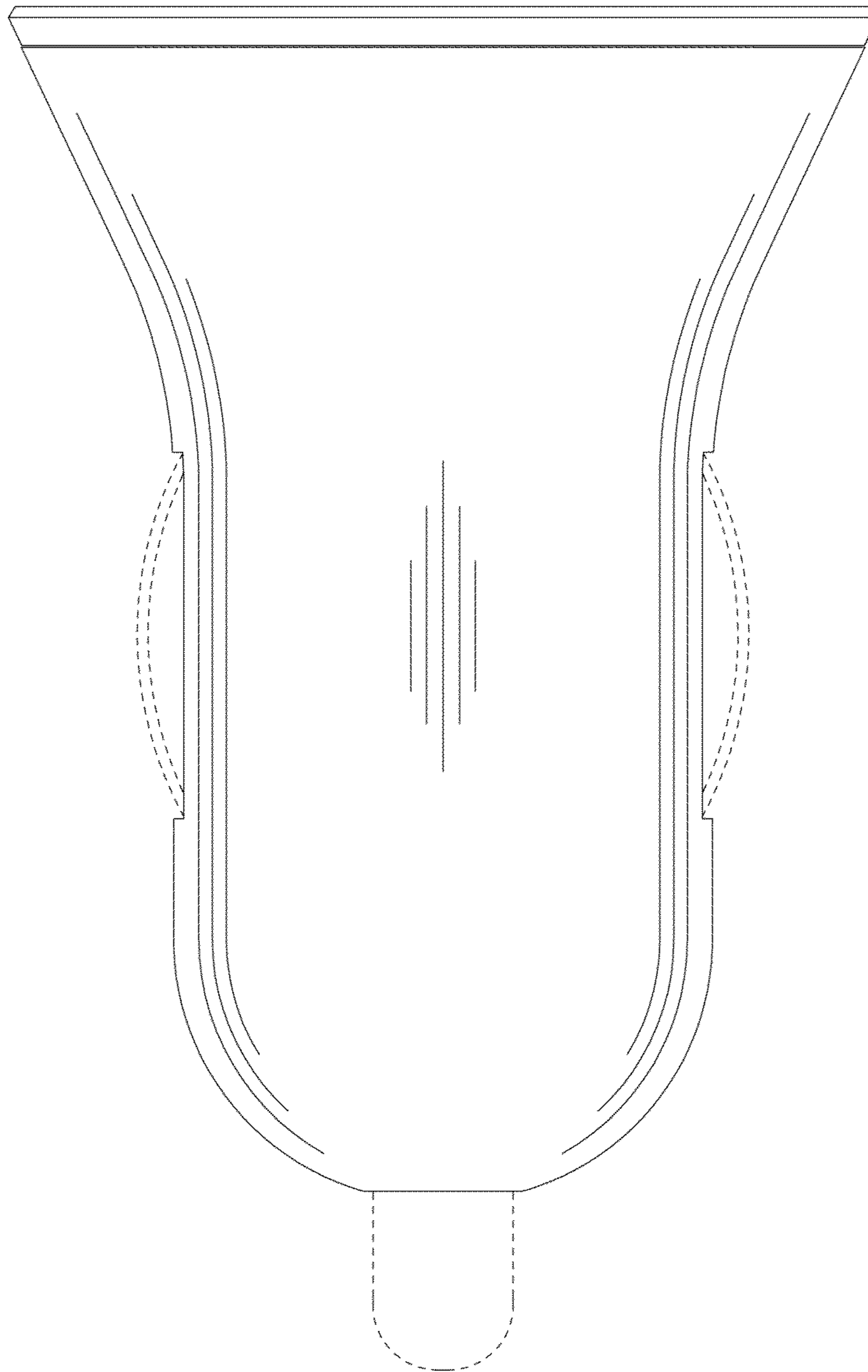


Fig. 1

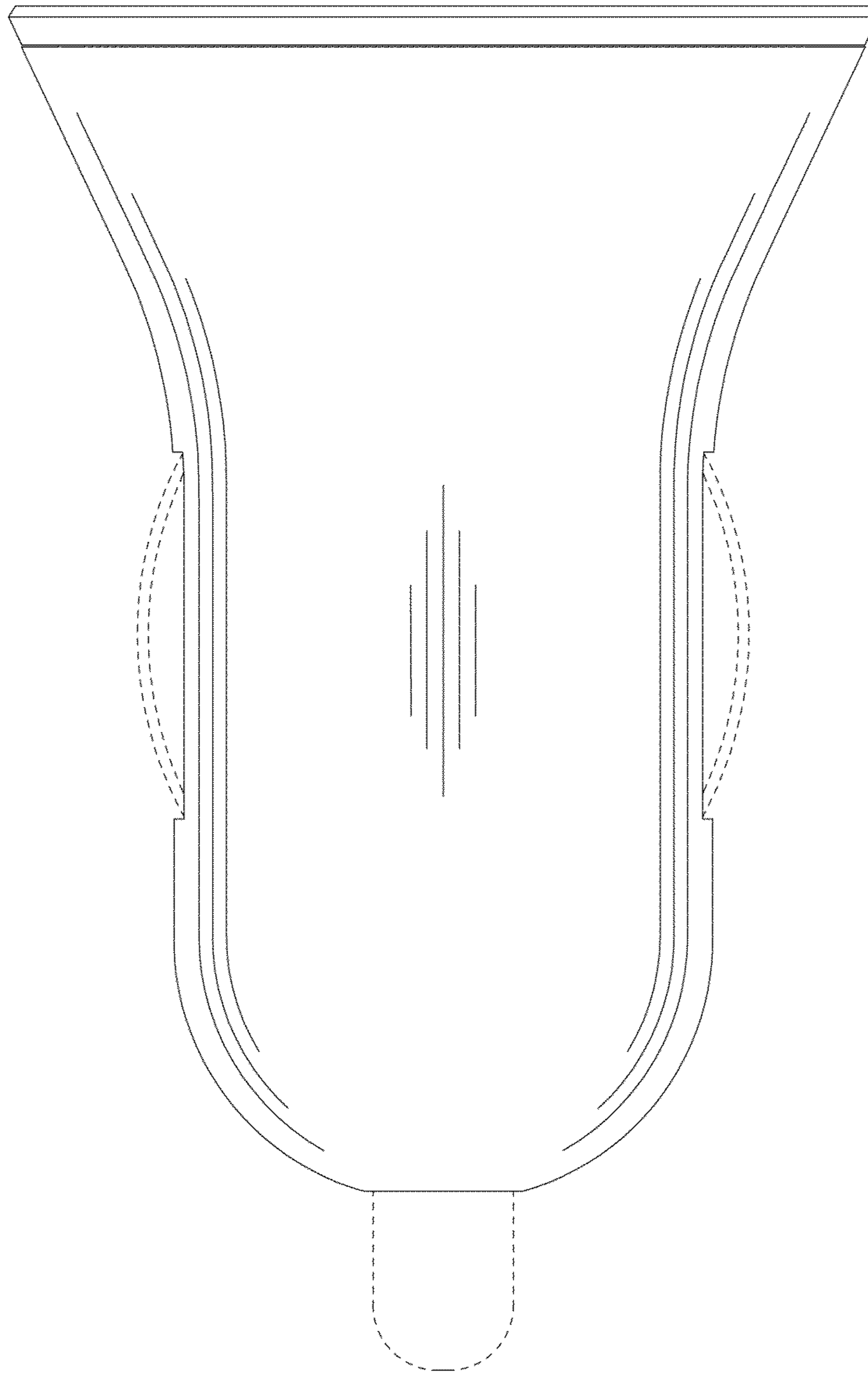


Fig. 2

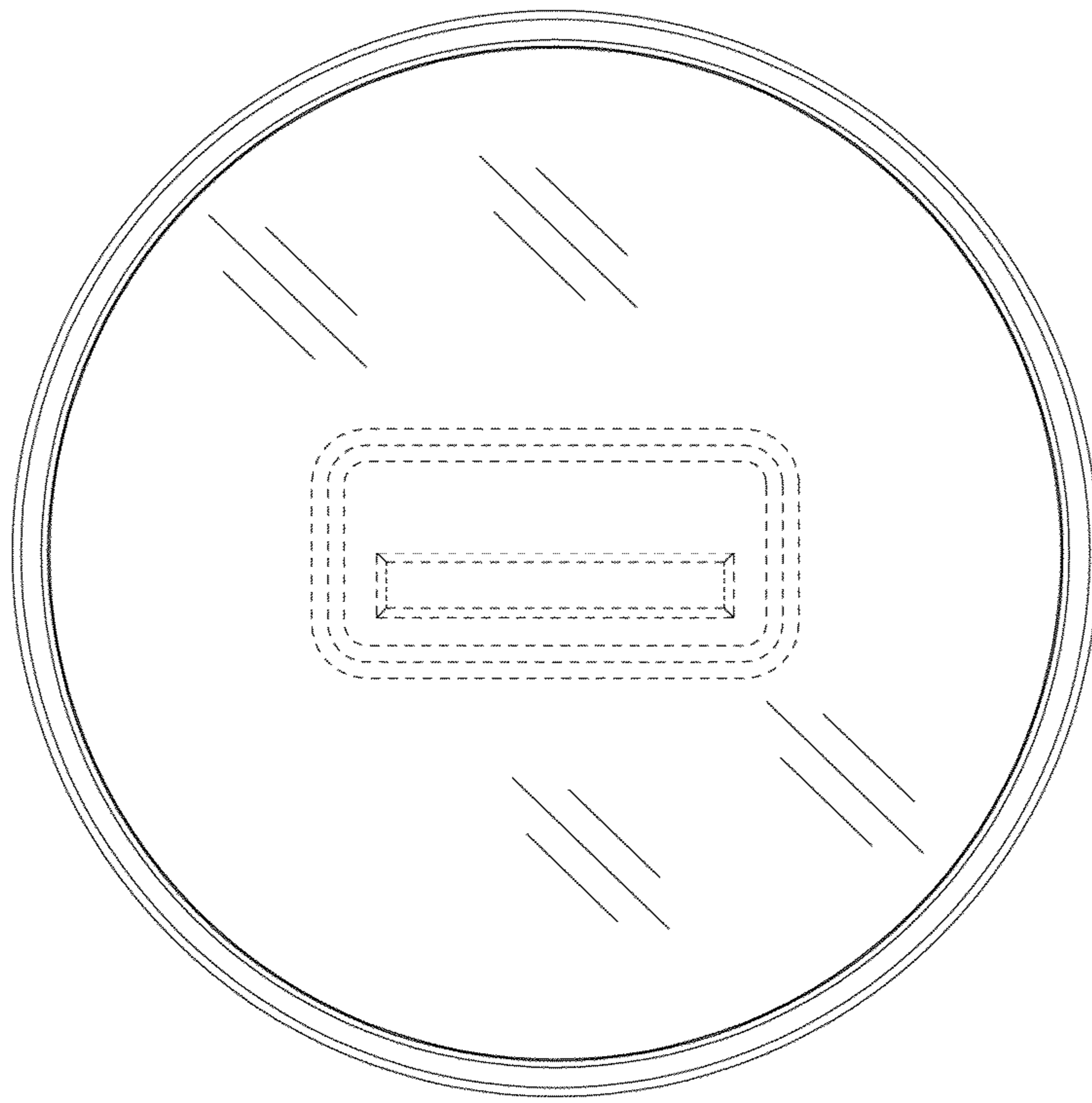


Fig. 3

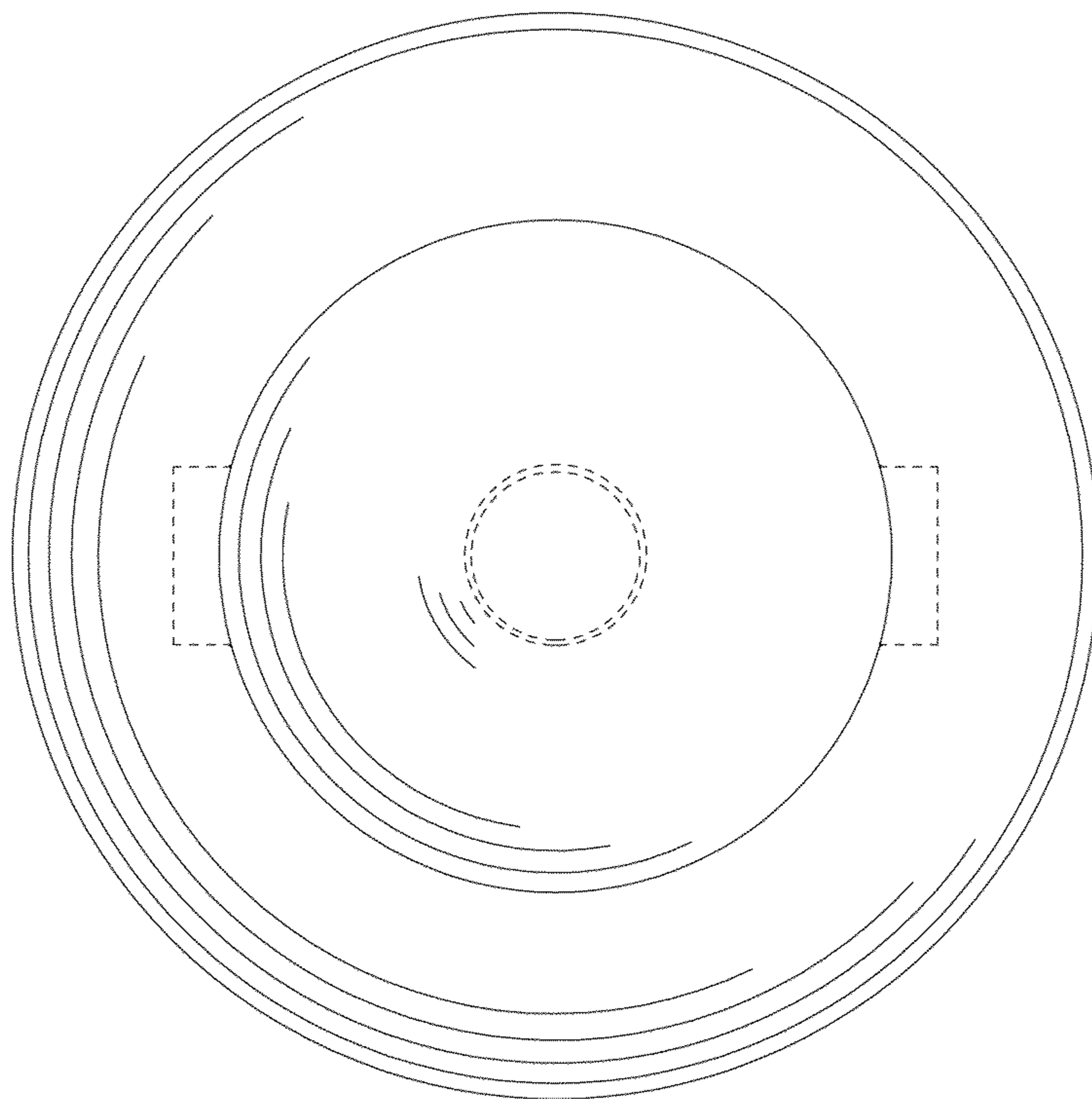


Fig. 4

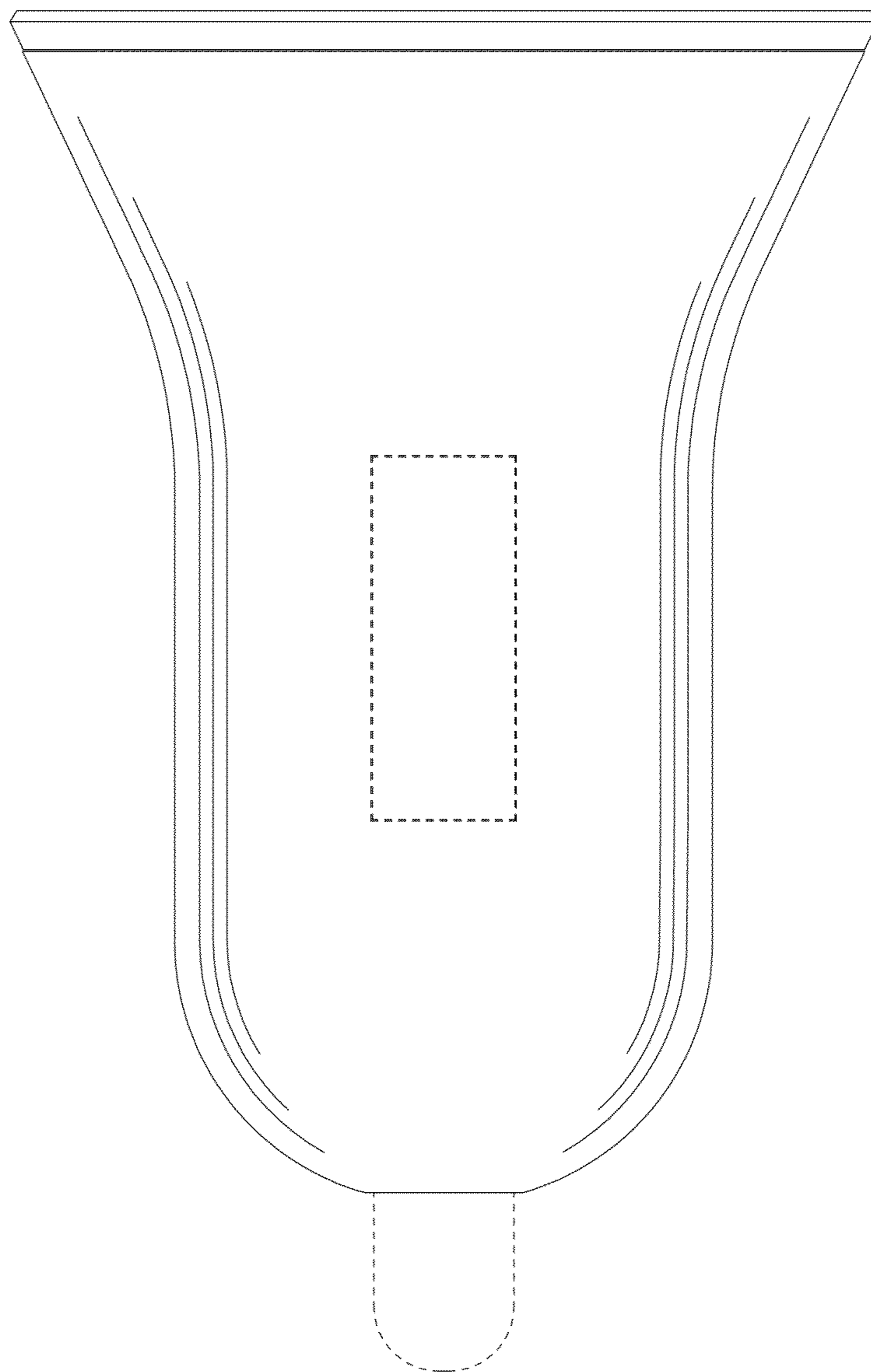


Fig. 5

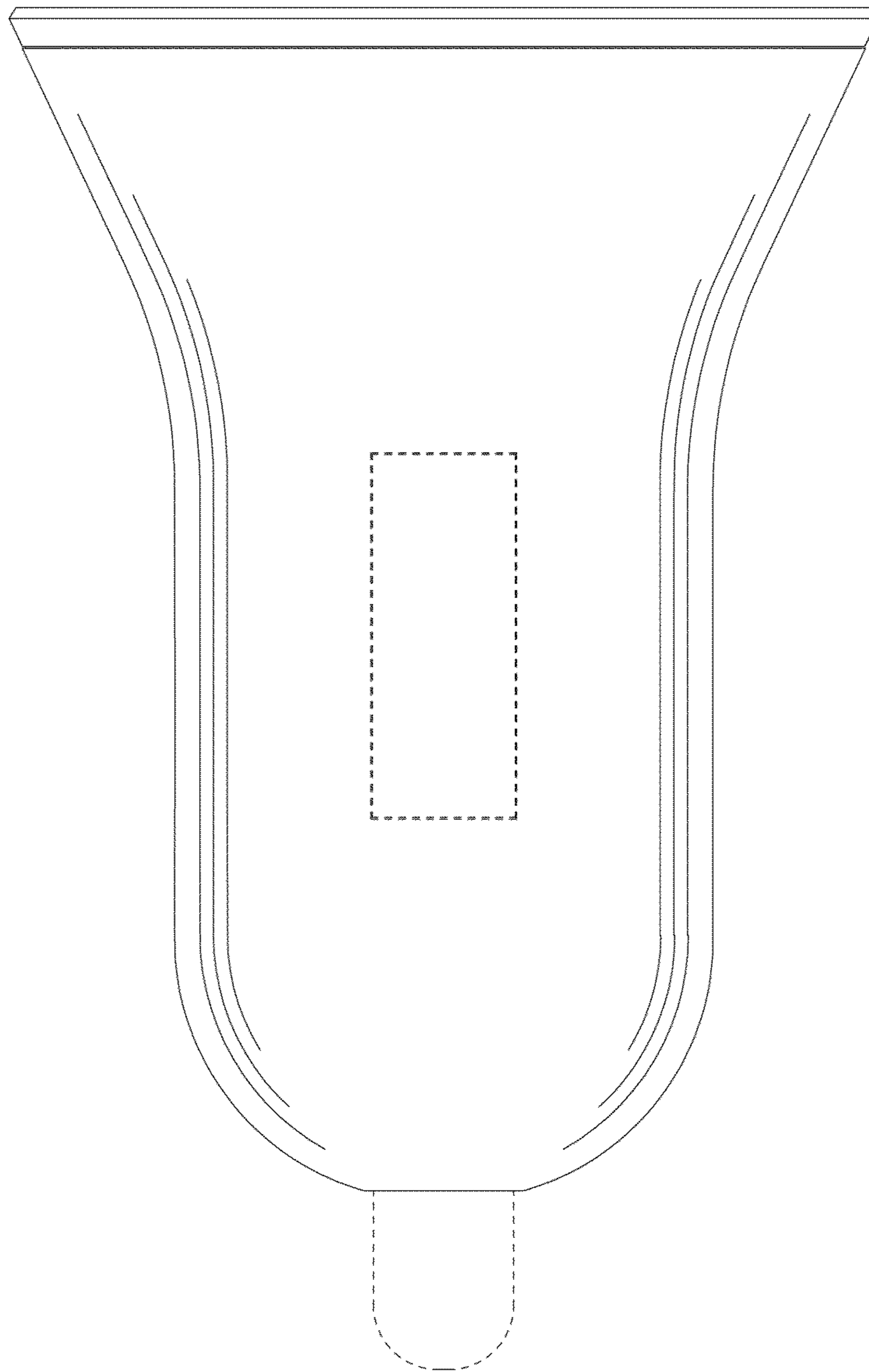


Fig. 6

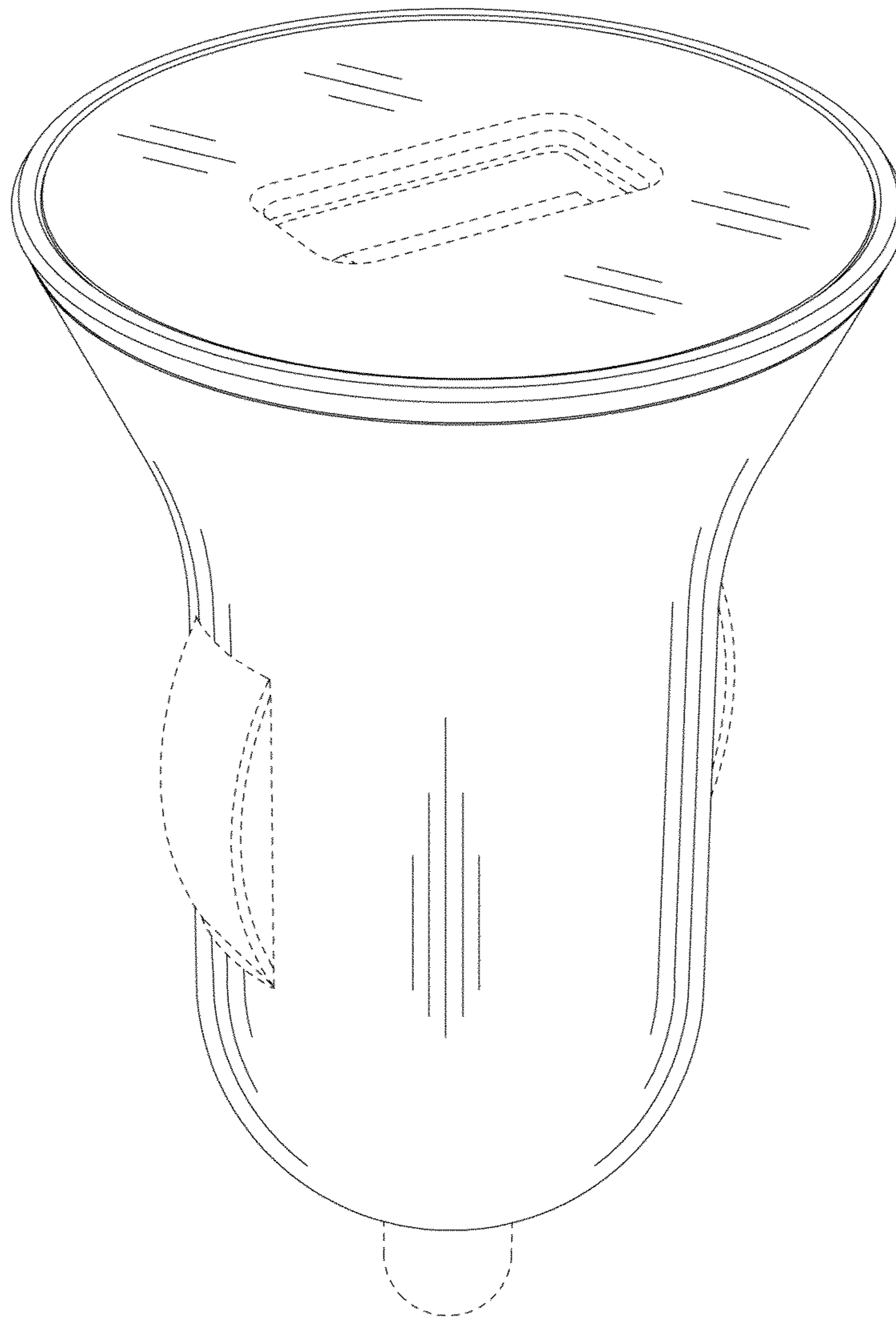


Fig. 7

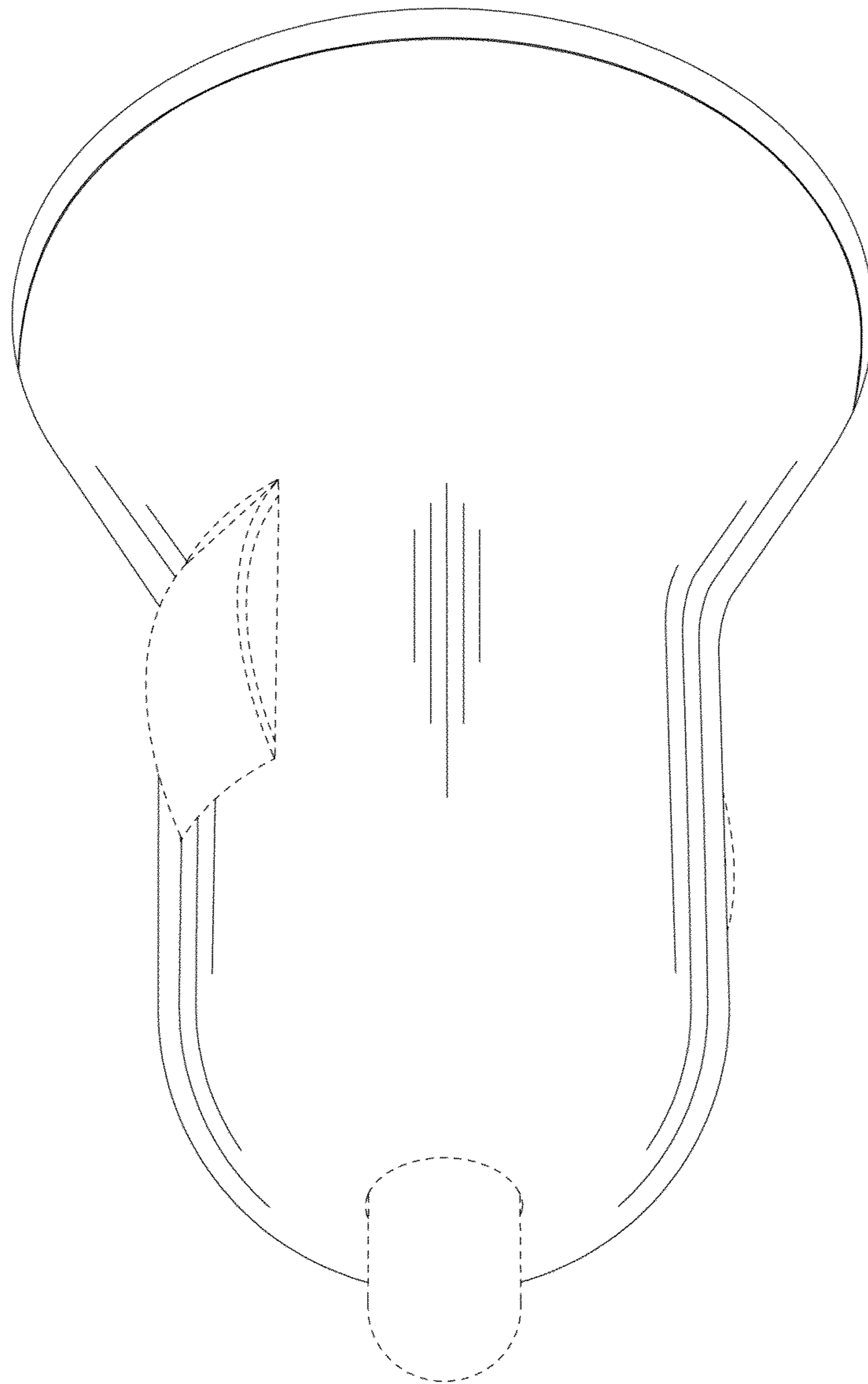


Fig. 8

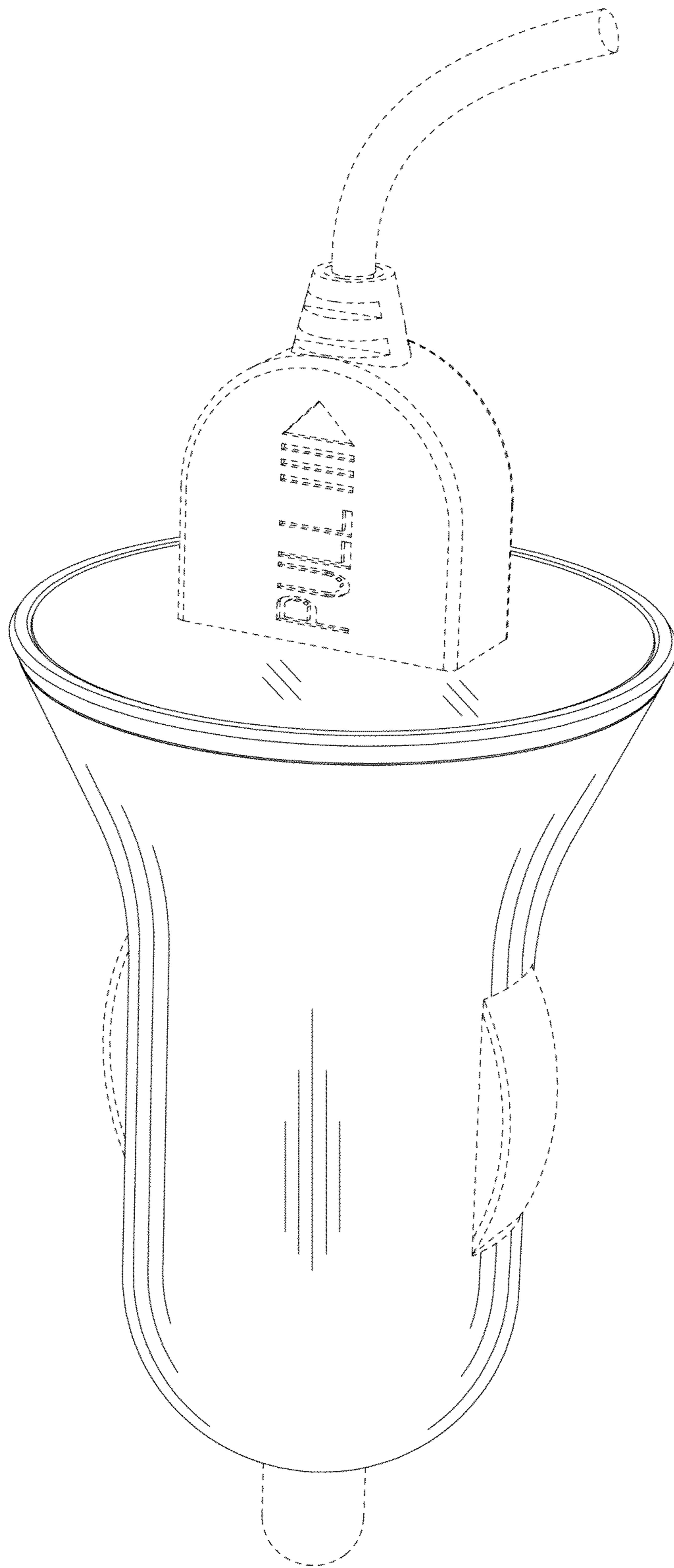


Fig. 9

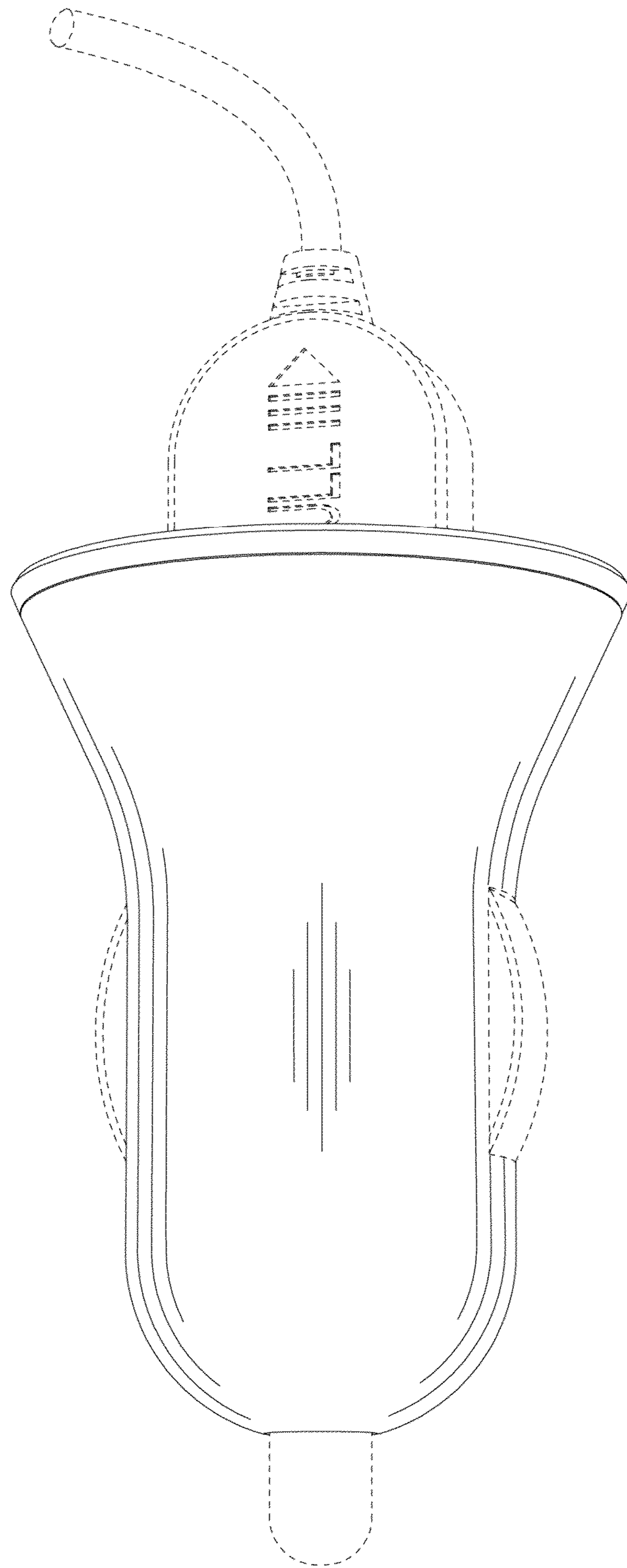


Fig. 10