



US00D711829S

(12) **United States Design Patent**
Liu

(10) **Patent No.:** **US D711,829 S**

(45) **Date of Patent:** **** Aug. 26, 2014**

(54) **CAR CHARGER**

(71) Applicant: **Qiuming Liu**, Shenzhen (CN)

(72) Inventor: **Qiuming Liu**, Shenzhen (CN)

(**) Term: **14 Years**

(21) Appl. No.: **29/464,457**

(22) Filed: **Aug. 16, 2013**

(30) **Foreign Application Priority Data**

Jul. 24, 2013 (CN) 2013 3 0349849

(51) **LOC (10) Cl.** **13-03**

(52) **U.S. Cl.**
USPC **D13/144**

(58) **Field of Classification Search**

USPC D13/144, 101, 107, 108, 110, 118, 119,
D13/133, 184, 199; D14/155, 432, 433,
D14/434, 435.1, 356, 480.1, 480.7;
320/107, 108, 109, 110, 111, 112, 113,
320/114, 115; 439/300, 620.01, 638, 668,
439/669, 675, 825; 363/146

See application file for complete search history.

(56) **References Cited**

U.S. PATENT DOCUMENTS

6,612,875	B1 *	9/2003	Liao	439/675
D494,542	S *	8/2004	Hriscu et al.	D13/110
D563,873	S *	3/2008	Chen et al.	D13/144
D604,699	S *	11/2009	Yamamoto	D13/144
D652,384	S *	1/2012	Lee	D13/144
D656,465	S *	3/2012	Au	D13/144
D684,930	S *	6/2013	Wang	D13/144
D692,832	S *	11/2013	Esses	D13/144

* cited by examiner

Primary Examiner — Derrick Holland

(74) *Attorney, Agent, or Firm* — Morris Manning & Martin LLP; Tim Tingkang Xia, Esq.

(57) **CLAIM**

The ornamental design for a car charger, as shown and described.

DESCRIPTION

FIG. 1 is a front elevational view of a first embodiment of a car charger;

FIG. 2 is a left side elevational view of the first embodiment of the car charger;

FIG. 3 is a bottom plan view of the first embodiment of the car charger;

FIG. 4 is a top plan view of the first embodiment of the car charger;

FIG. 5 is a first perspective view of the first embodiment of the car charger;

FIG. 6 is a second perspective view of the first embodiment of the car charger;

FIG. 7 is a third perspective view of the first embodiment of the car charger;

FIG. 8 is a fourth perspective view of the first embodiment of the car charger;

FIG. 9 is a front elevational view of a second embodiment of a car charger;

FIG. 10 is a left side elevational view of the second embodiment of the car charger;

FIG. 11 is a bottom plan view of the second embodiment of the car charger;

FIG. 12 is a top plan view of the second embodiment of the car charger;

FIG. 13 is a first perspective view of the second embodiment of the car charger;

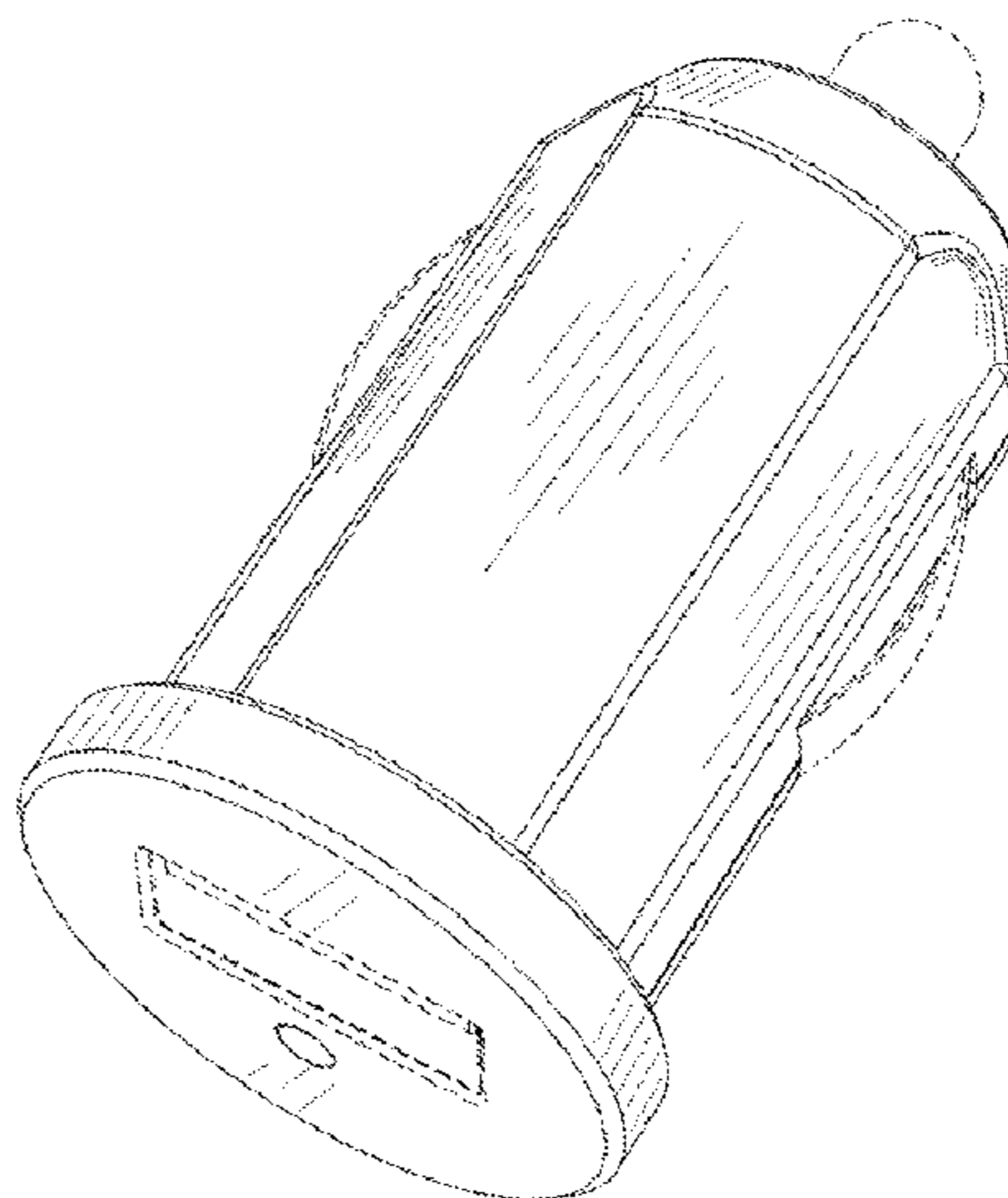
FIG. 14 is a second perspective view of the second embodiment of the car charger;

FIG. 15 is a third perspective view of the second embodiment of the car charger; and,

FIG. 16 is a fourth perspective view of the second embodiment of the car charger.

The broken lines shown represent unclaimed subject matter and form no part of the claimed design.

1 Claim, 14 Drawing Sheets



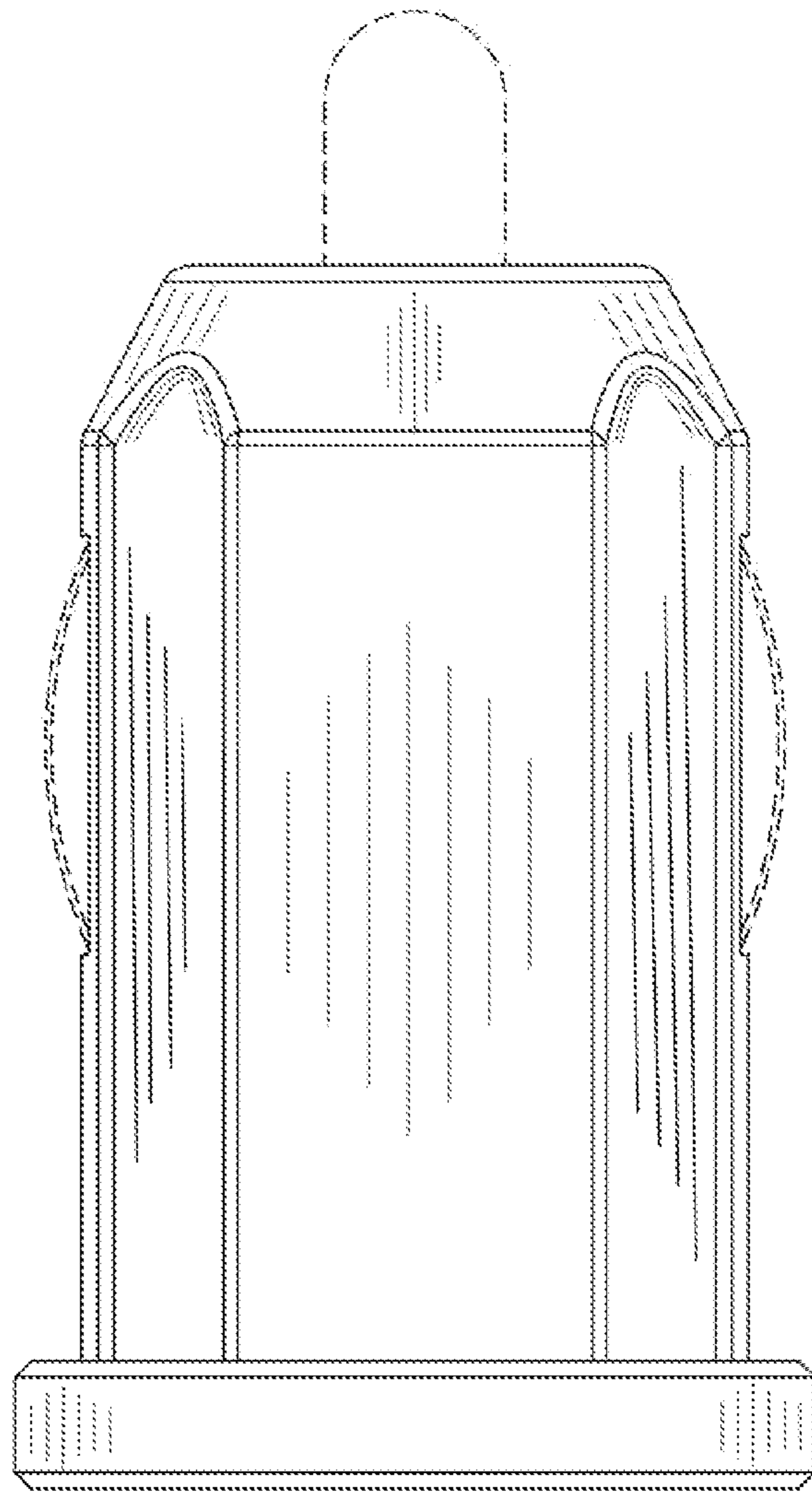


Fig.1

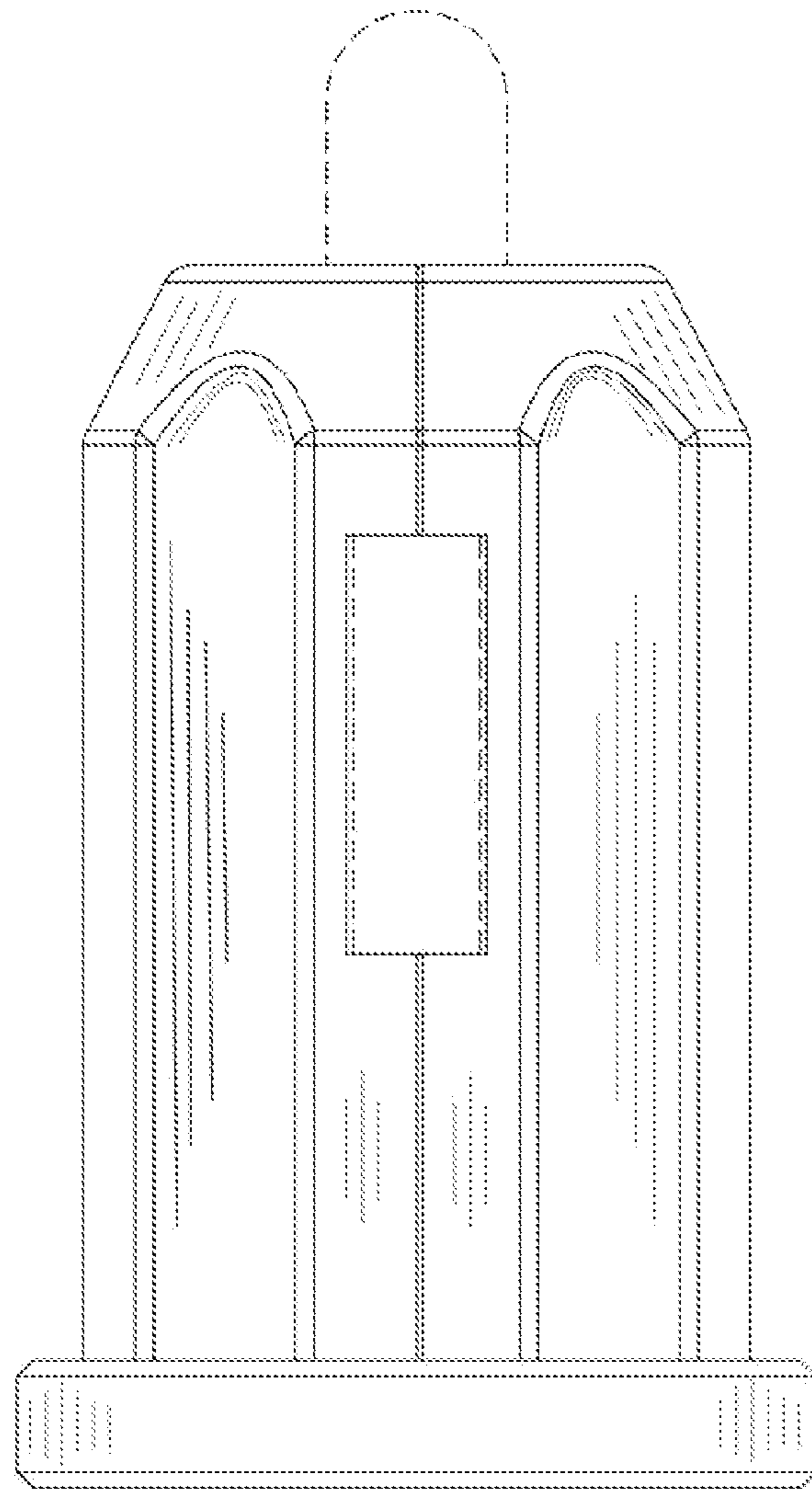


Fig.2

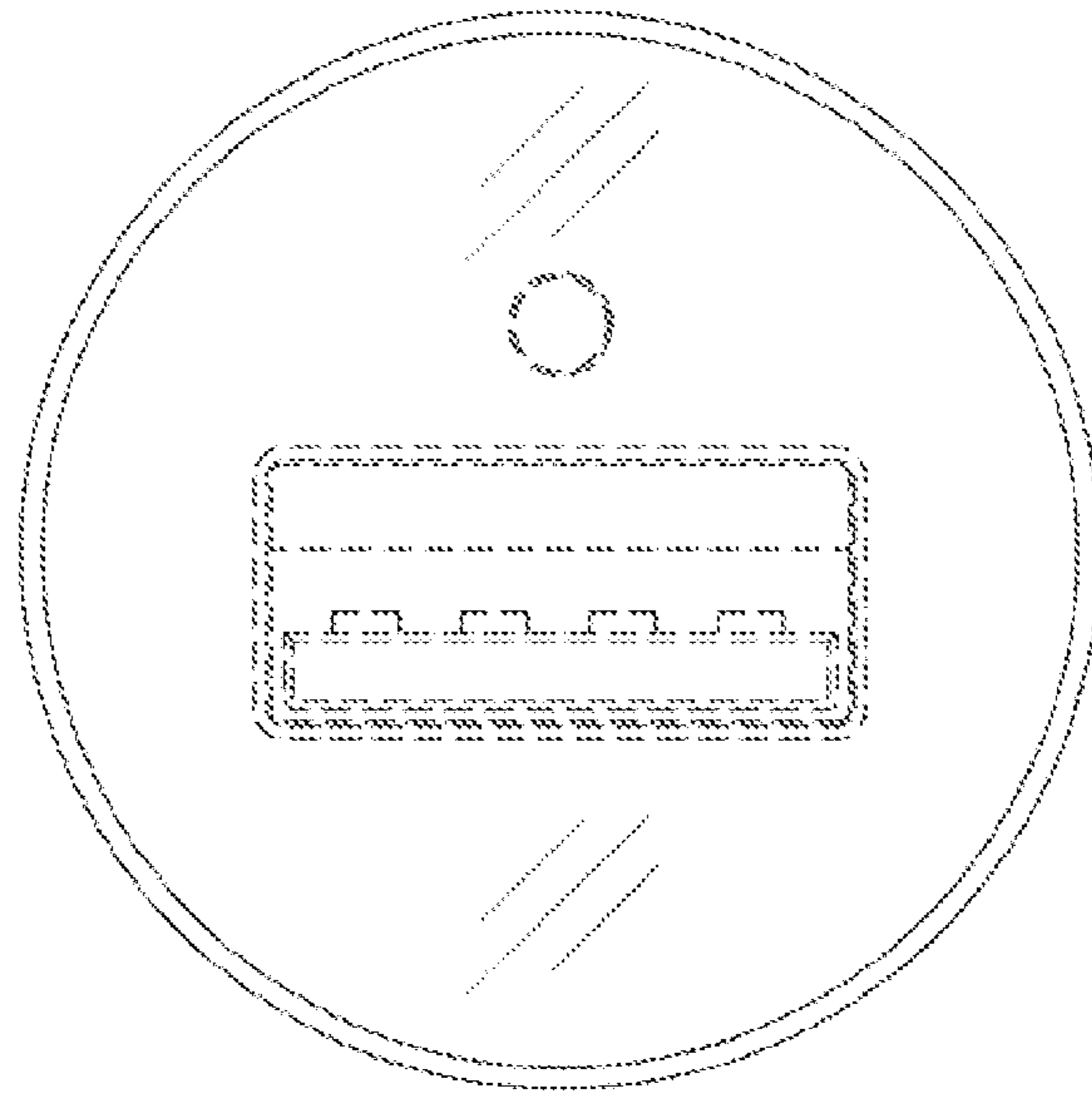


Fig.3

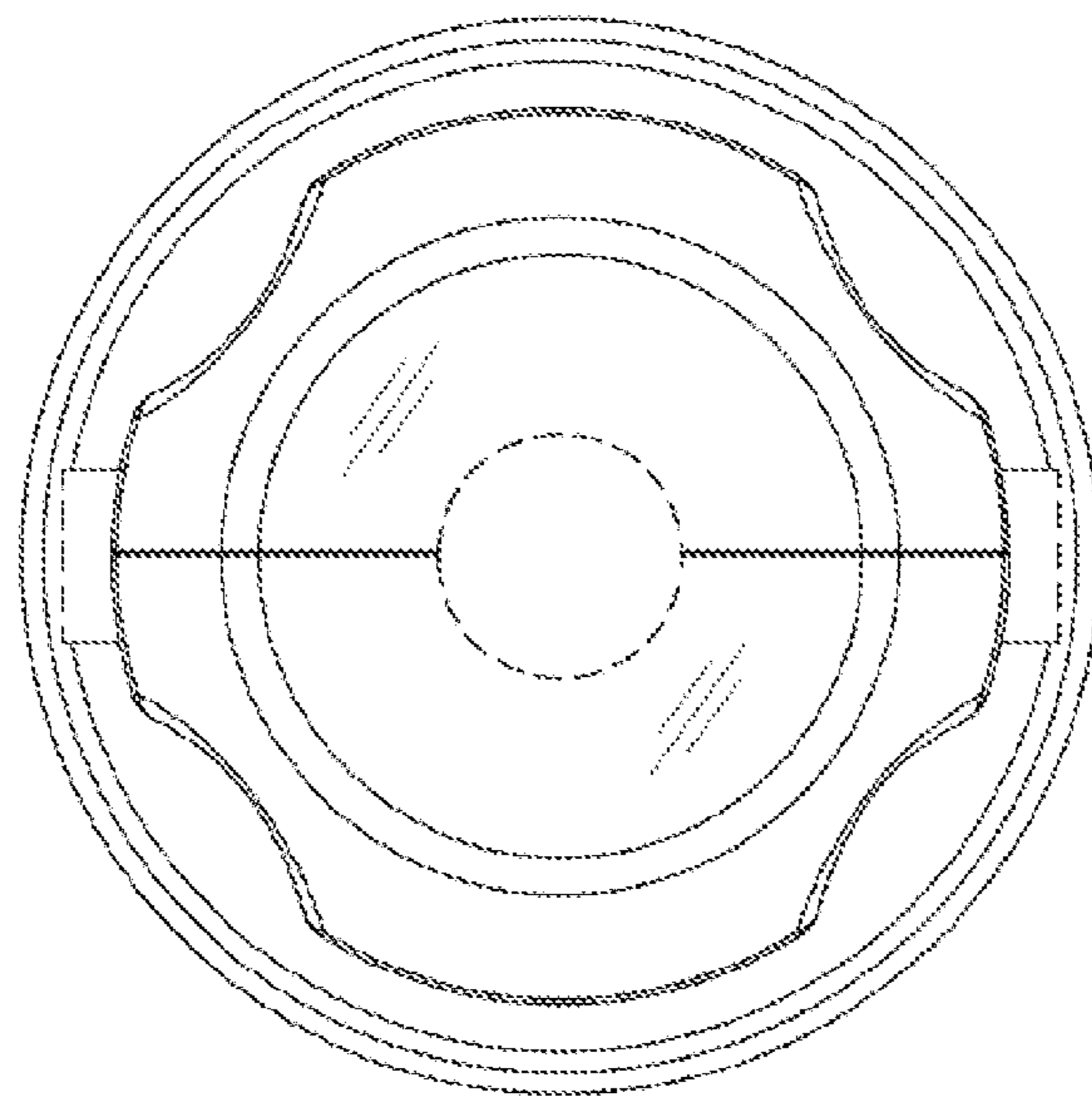


Fig.4

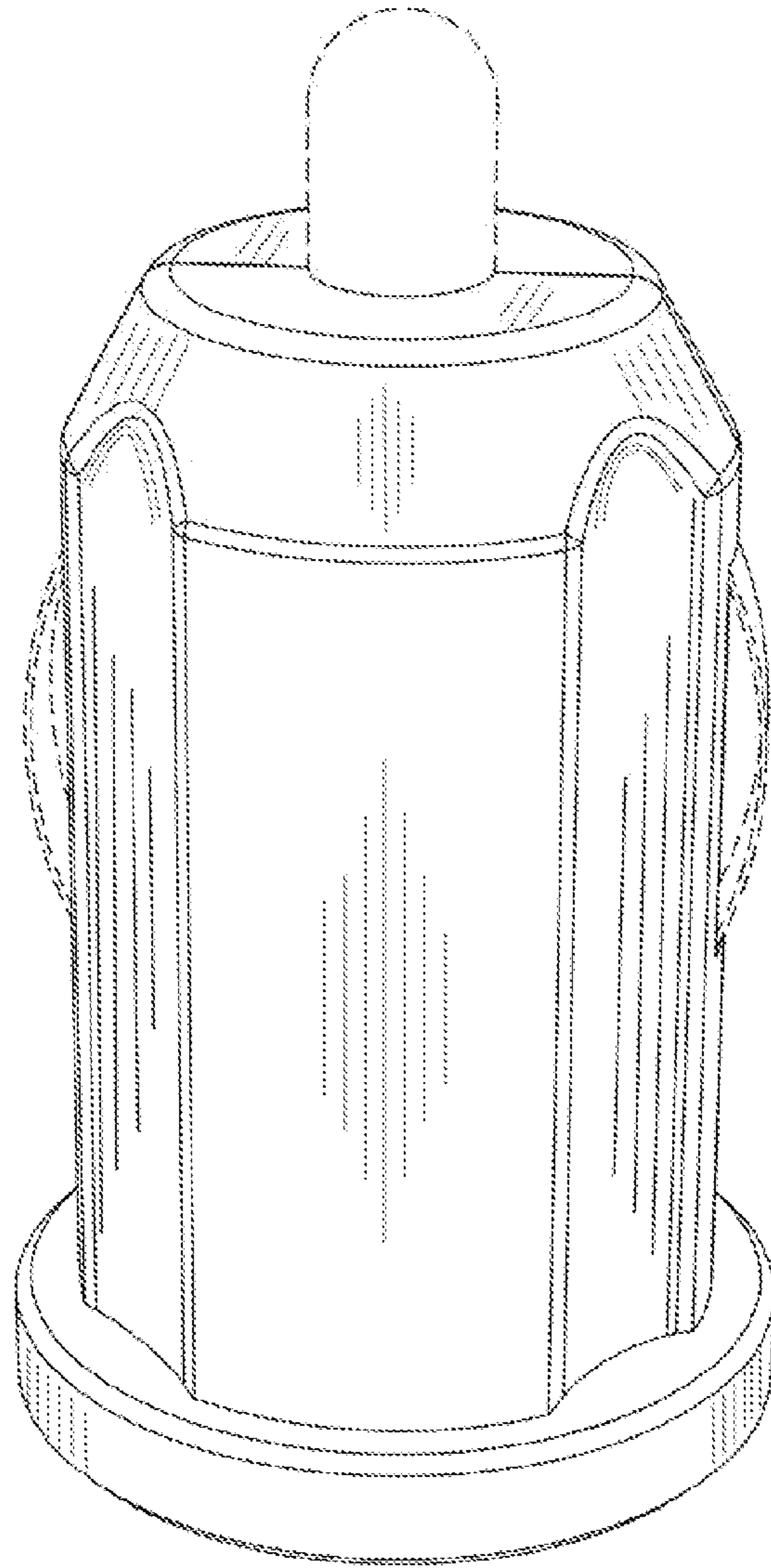


Fig.5

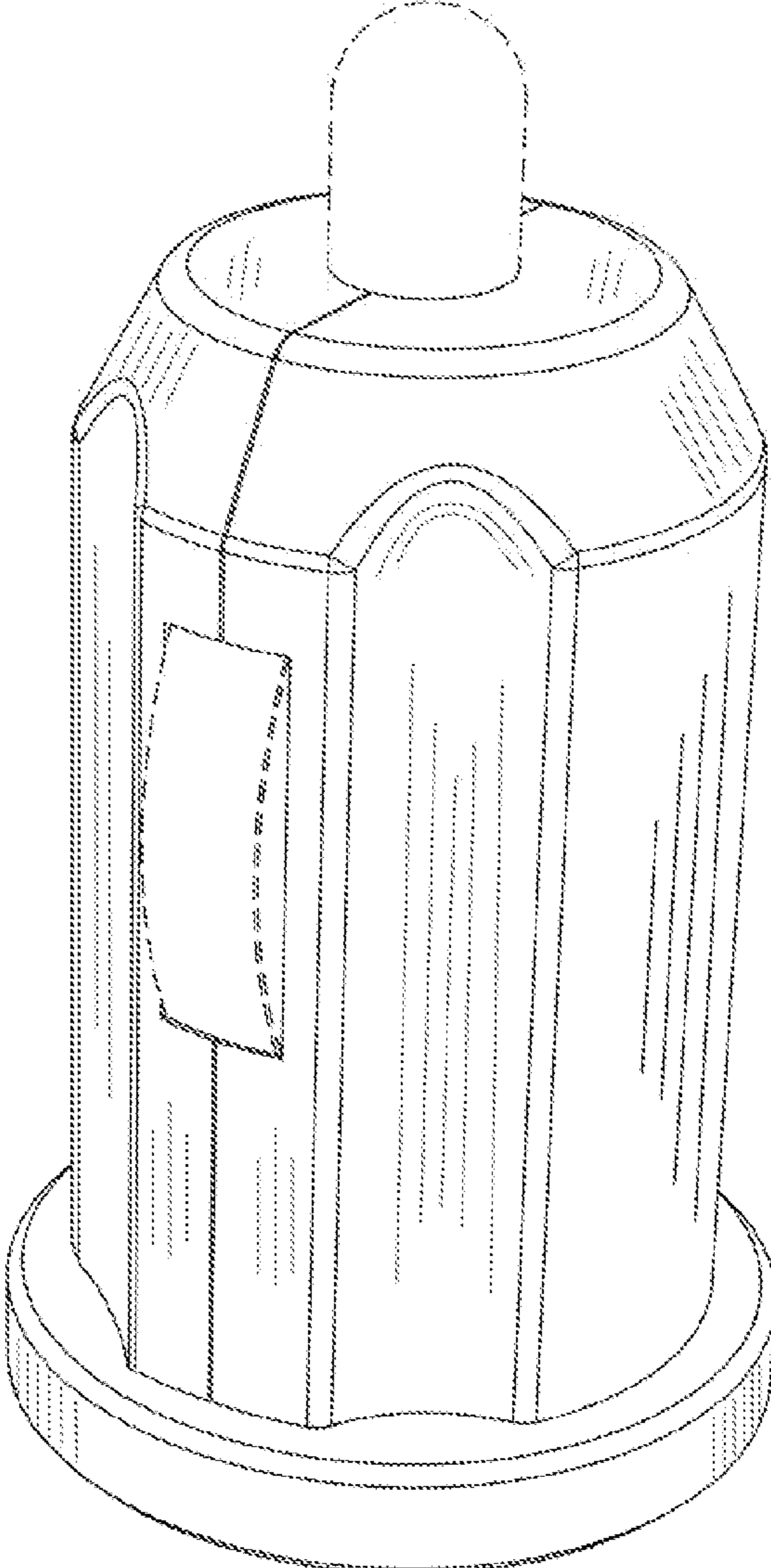


Fig.6

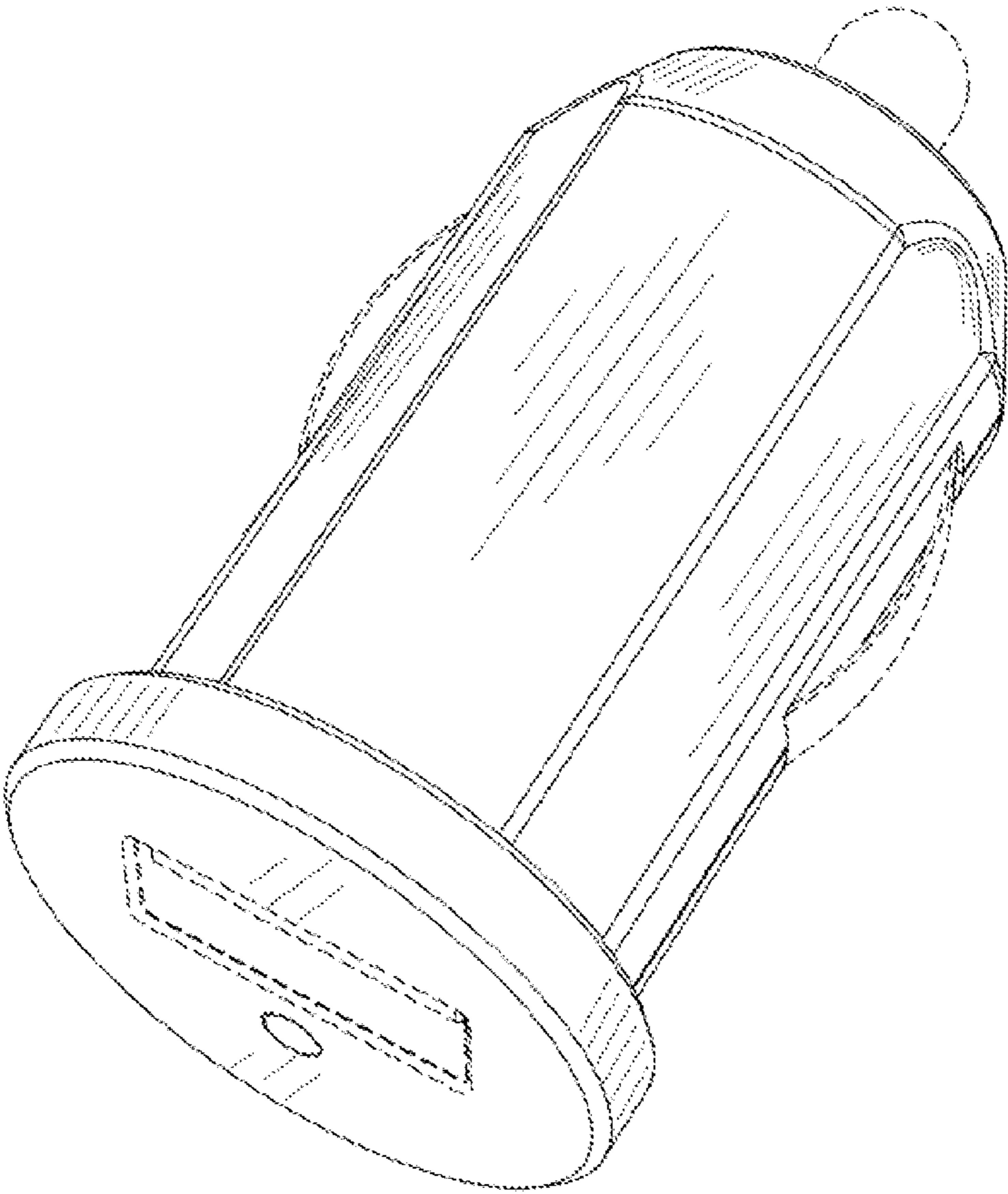


Fig.7

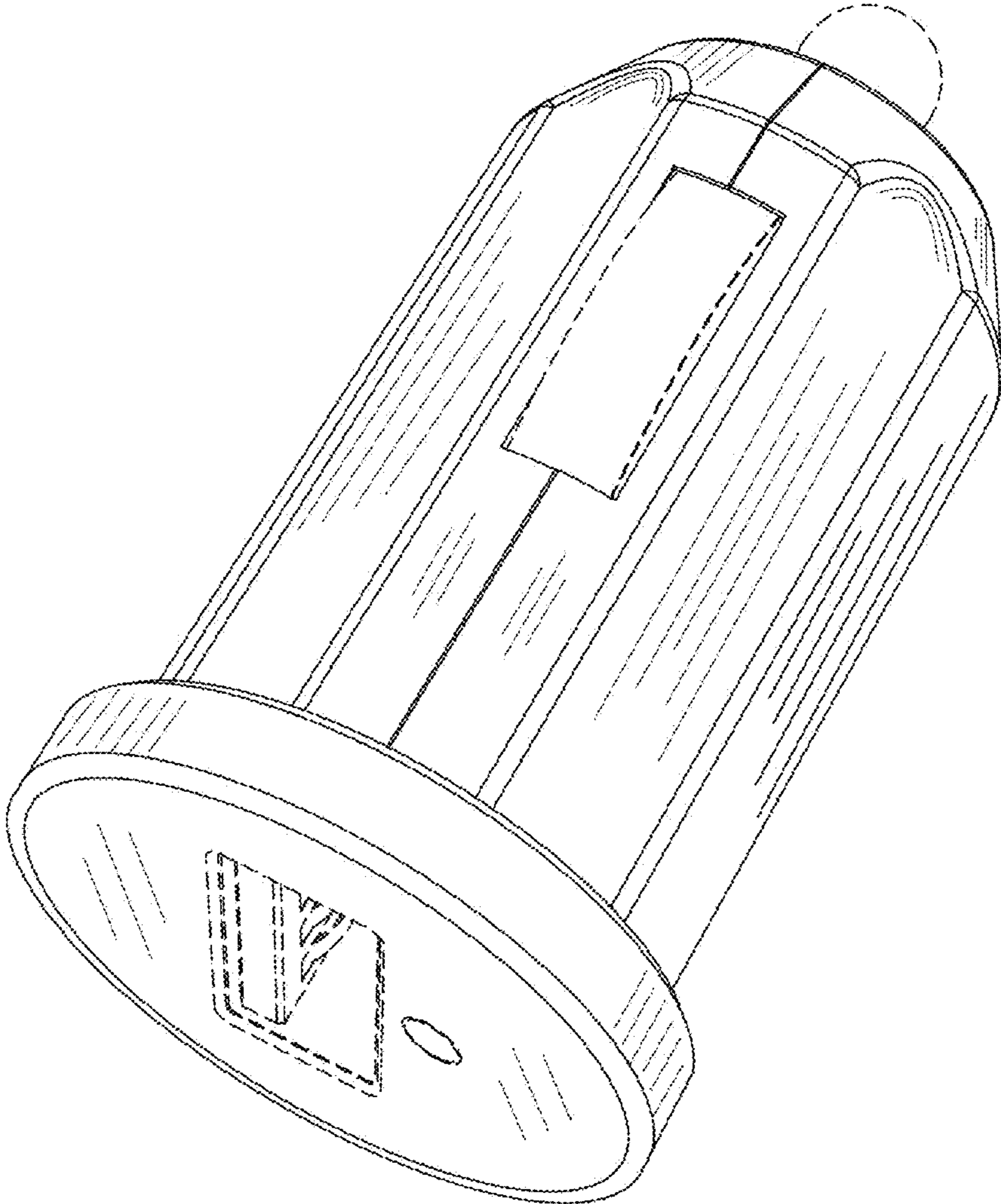


Fig.8

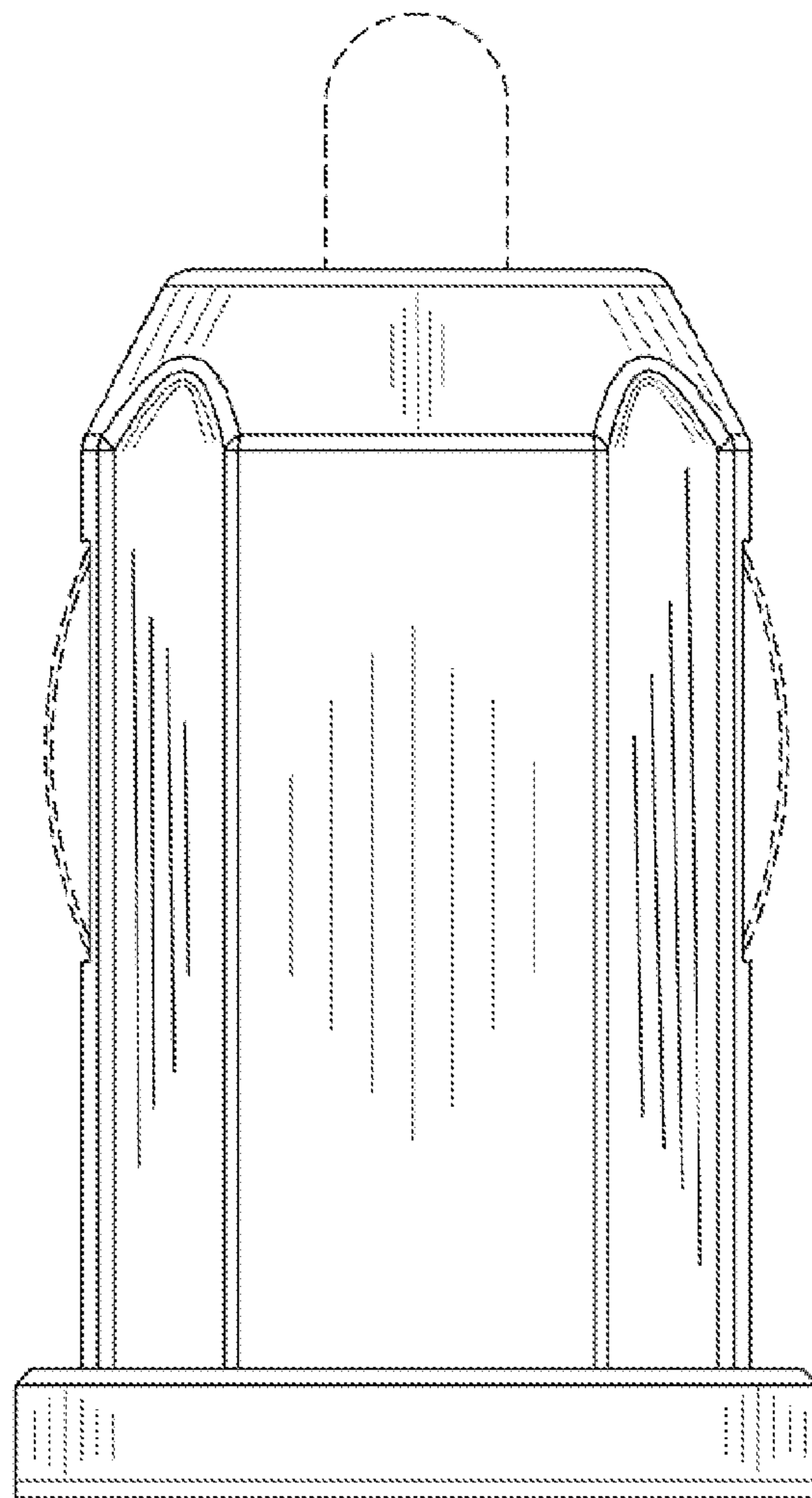


Fig.9

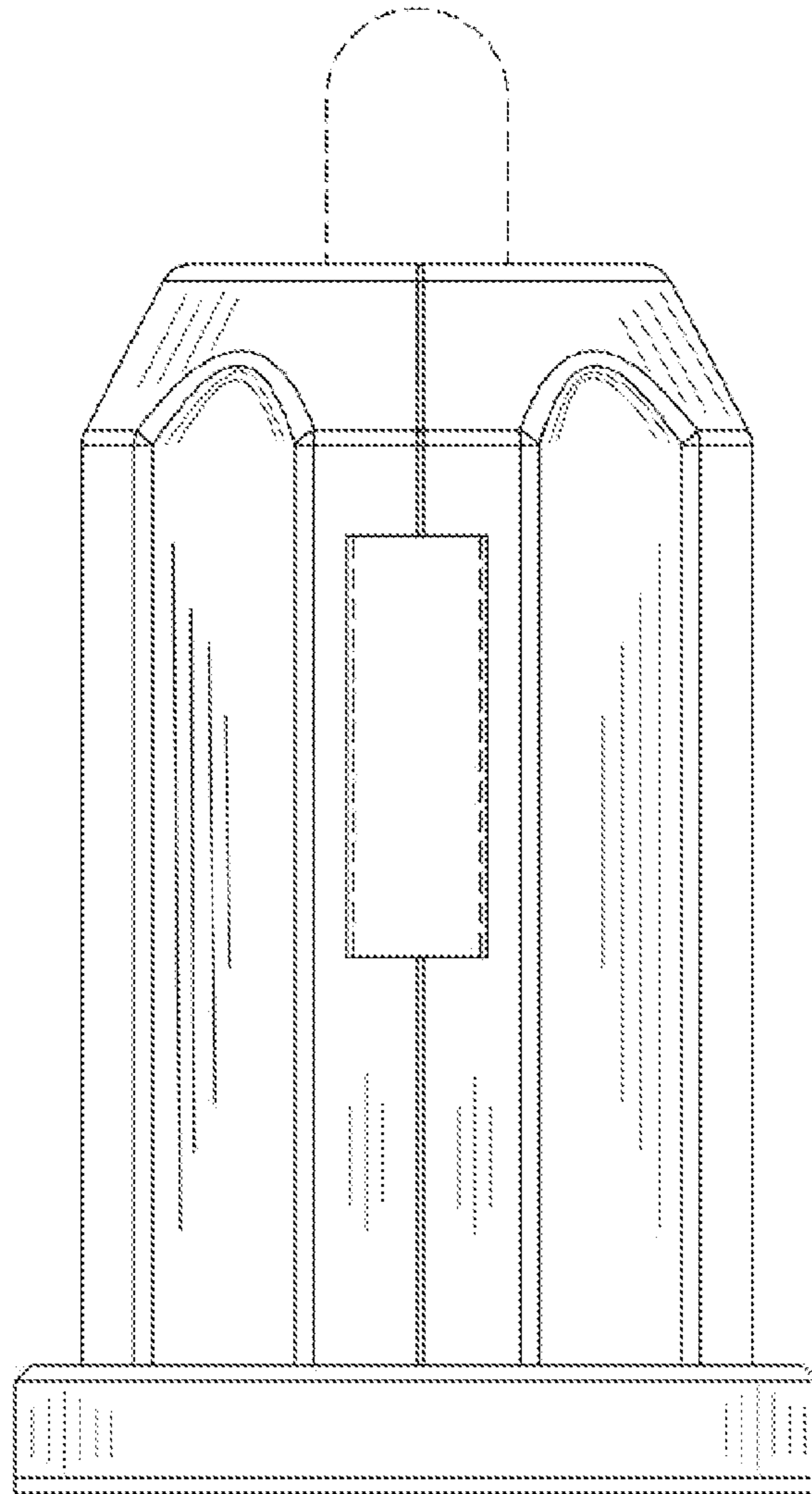


Fig.10

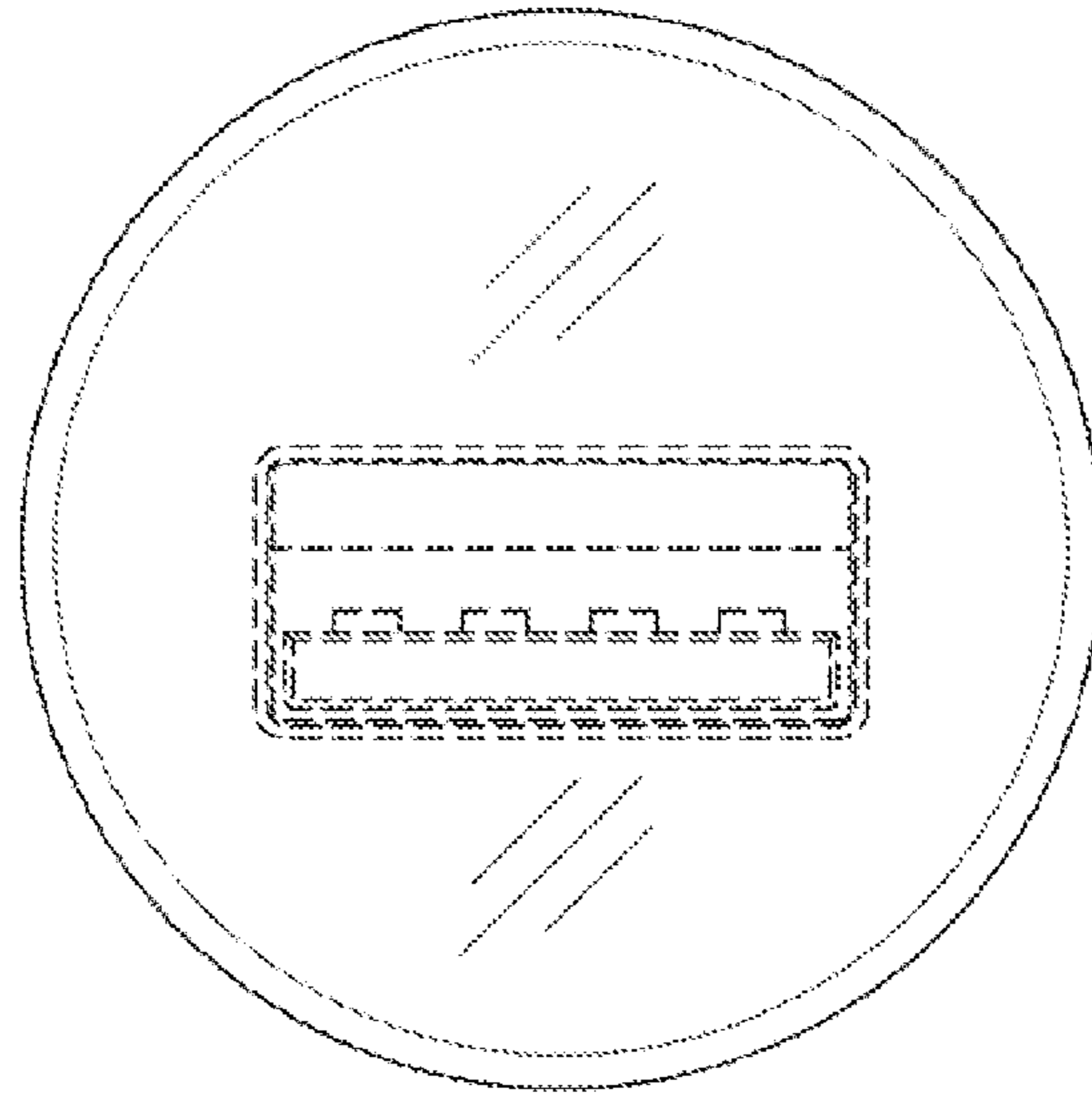


Fig.11

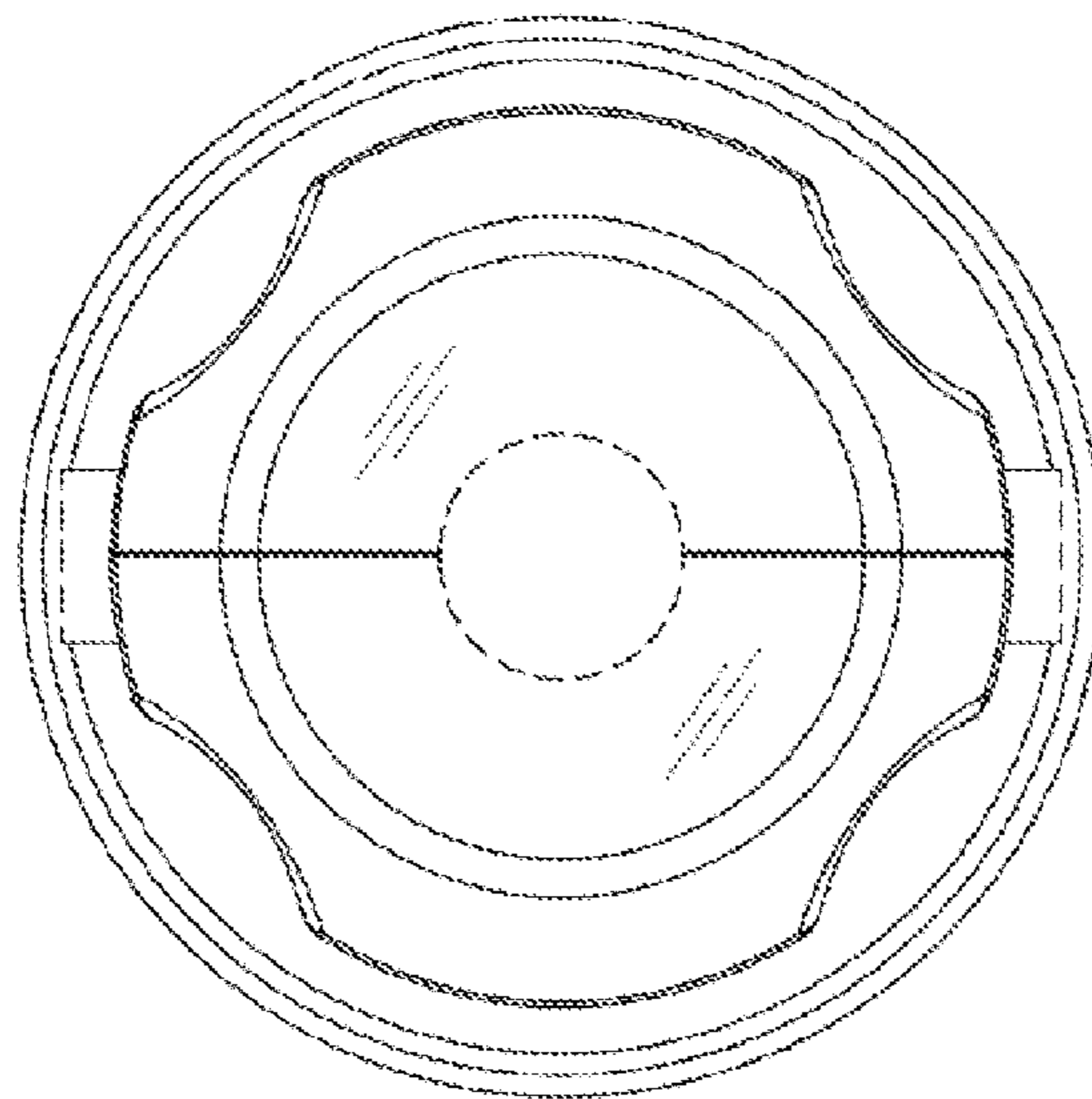


Fig.12

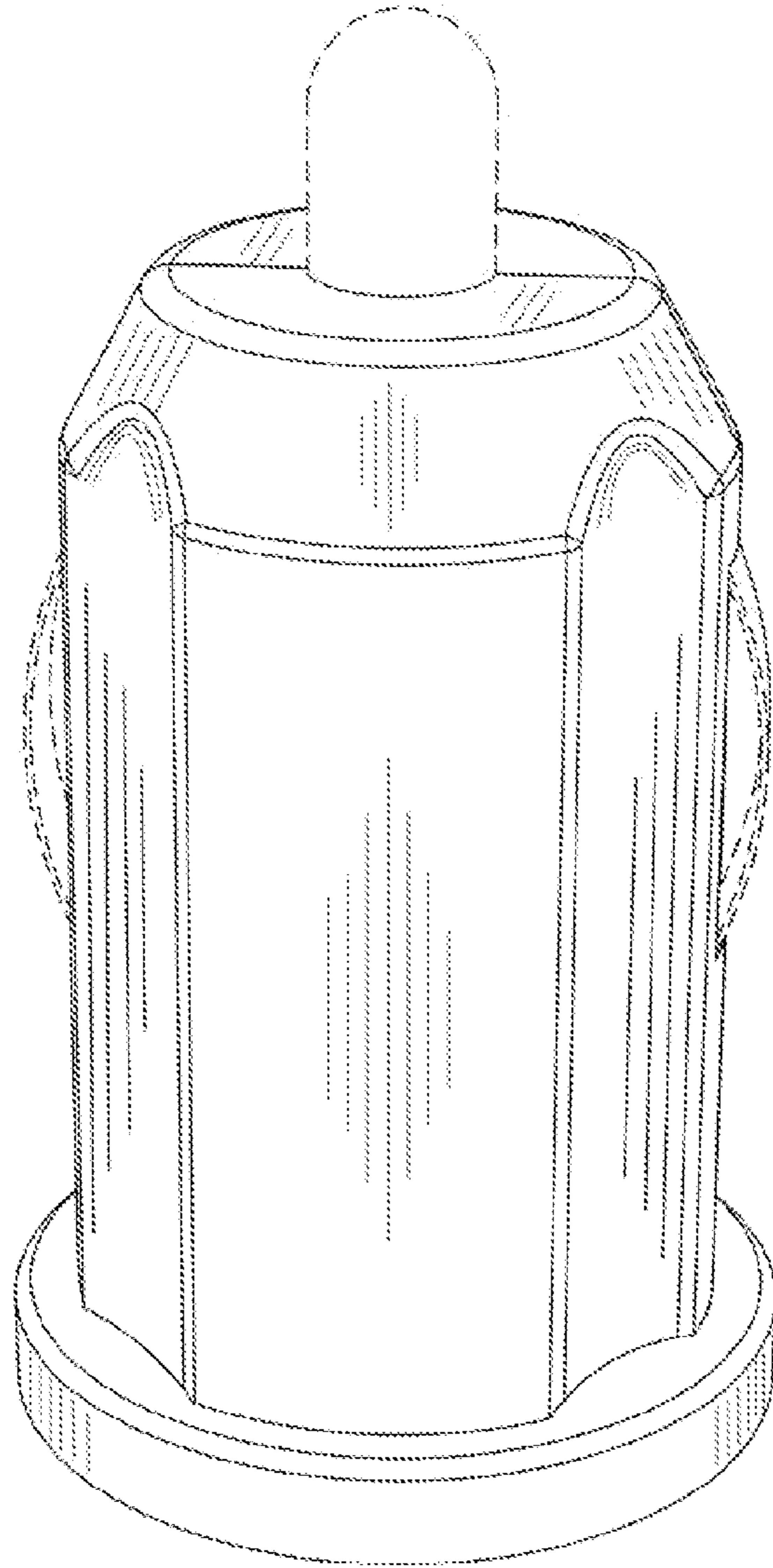


Fig.13

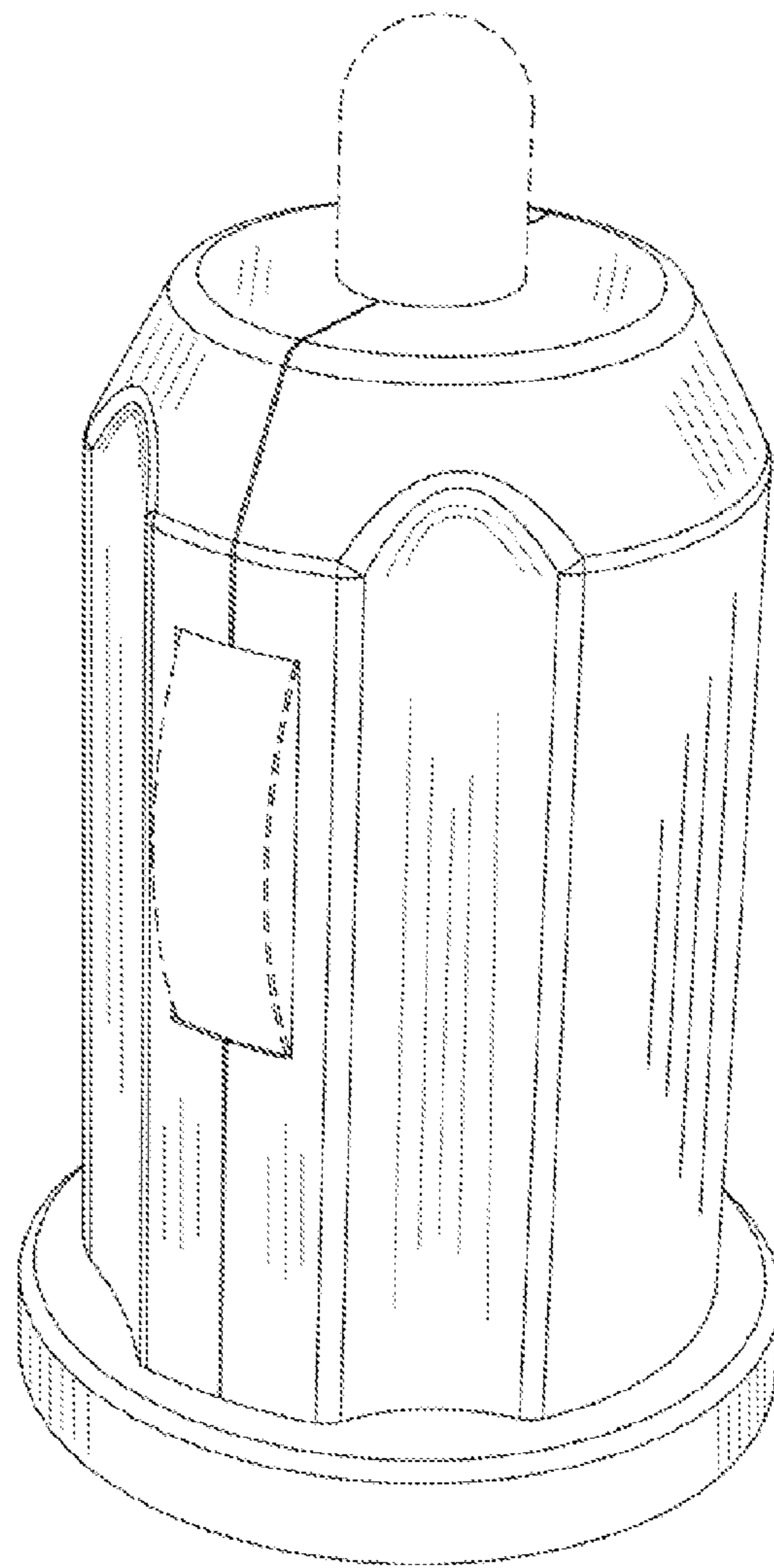


Fig.14

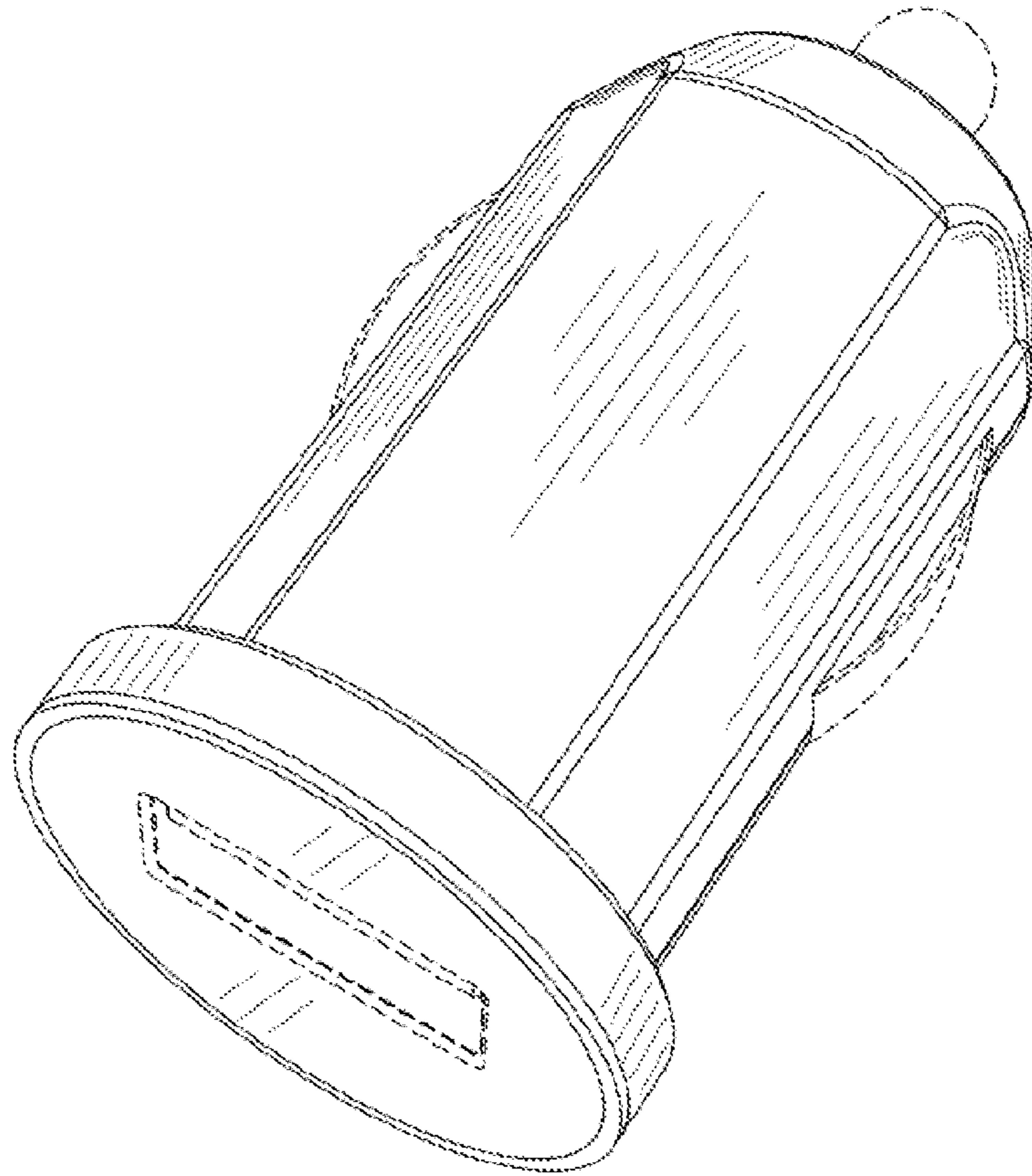


Fig. 15

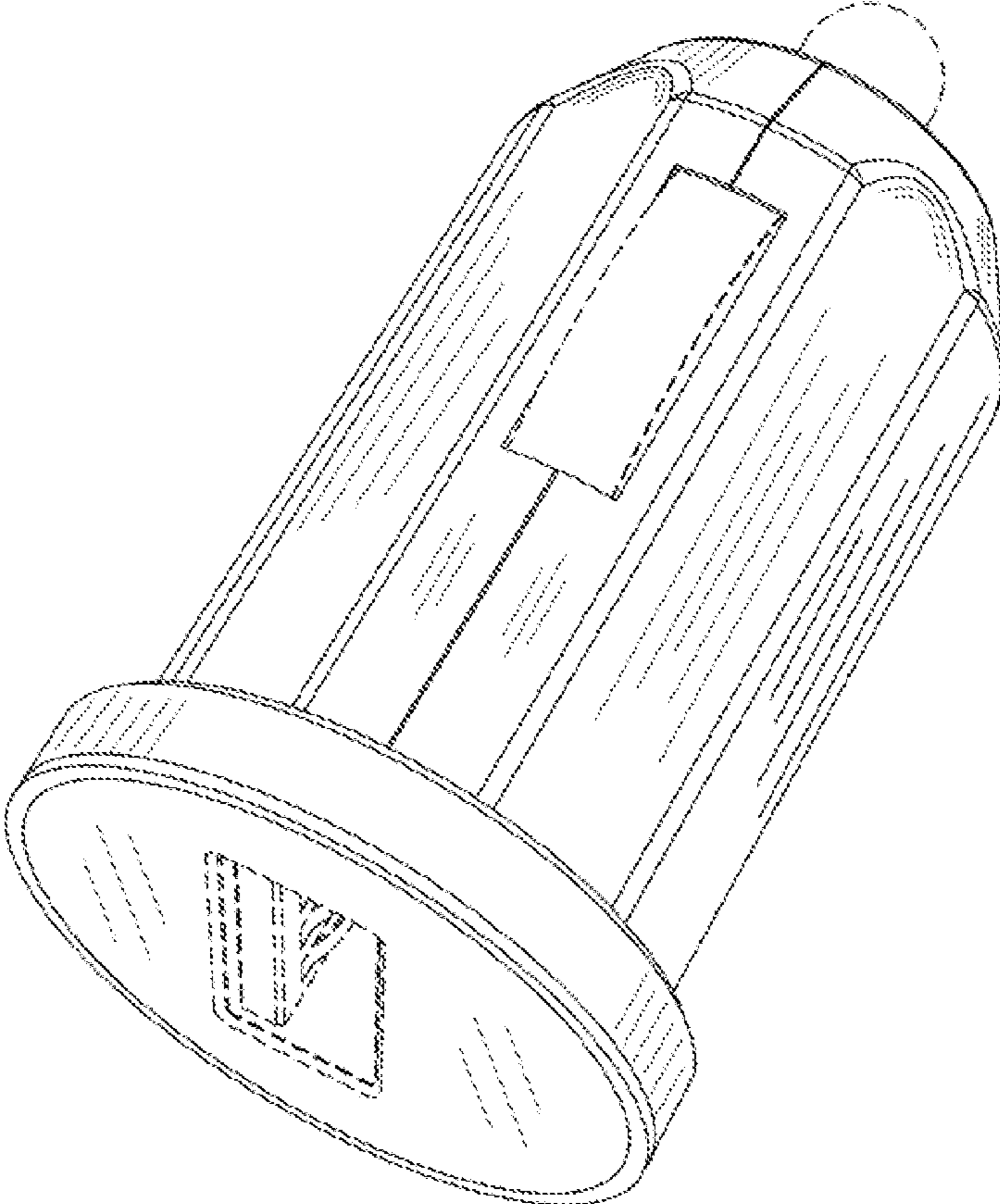


Fig.16