



US00D711827S

(12) **United States Design Patent**
Greig et al.

(10) **Patent No.:** **US D711,827 S**

(45) **Date of Patent:** **** Aug. 26, 2014**

(54) **MAGNETIC JACK**

(71) Applicant: **Phitek Systems Limited**, Auckland (NZ)

(72) Inventors: **Nigel Greig**, Auckland (NZ); **Edward Scholton**, Auckland (NZ); **William James Sim**, Auckland (NZ)

(**) Term: **14 Years**

(21) Appl. No.: **29/432,801**

(22) Filed: **Sep. 20, 2012**

(30) **Foreign Application Priority Data**

Mar. 20, 2012	(NZ)	416018
Mar. 20, 2012	(NZ)	416019
Mar. 20, 2012	(NZ)	416021
Mar. 20, 2012	(NZ)	416022

(51) **LOC (10) Cl.** **13-03**

(52) **U.S. Cl.**
USPC **D13/133**

(58) **Field of Classification Search**
USPC D13/133, 146, 147, 149, 151, 153, 154, D13/156; 439/79, 248, 258, 274, 335, 352, 439/353, 358, 359, 362, 378, 445, 447, 578, 439/584, 585, 656, 666, 676, 677, 678, 679, 439/668, 681, 682, 686
See application file for complete search history.

(56) **References Cited**

U.S. PATENT DOCUMENTS

D454,542	S	*	3/2002	Nakashima et al.	D13/146
D456,358	S	*	4/2002	Niklander et al.	D13/146
D604,697	S	*	11/2009	Sogo et al.	D13/133

D609,184	S	*	2/2010	Liu	D13/147
D616,826	S	*	6/2010	Ebihara	D13/147
D622,220	S	*	8/2010	Huang et al.	D13/147
D627,730	S	*	11/2010	Huang et al.	D13/146
D643,815	S	*	8/2011	Mark et al.	D13/133
2004/0209489	A1		10/2004	Clapper		
2011/0003505	A1*		1/2011	Greig et al.	439/540.1
2011/0124218	A1*		5/2011	Huang	439/374
2011/0201228	A1*		8/2011	Schumacher et al.	439/374
2012/0315771	A1*		12/2012	Greig et al.	439/39

OTHER PUBLICATIONS

U.S. Appl. No. 29/432,802, filed Sep. 20, 2012.
U.S. Appl. No. 29/432,799, filed Sep. 20, 2012.
U.S. Appl. No. 13/847,268, filed Mar. 19, 2013.

* cited by examiner

Primary Examiner — Thomas Johannes
(74) *Attorney, Agent, or Firm* — Jackson Walker, LLP

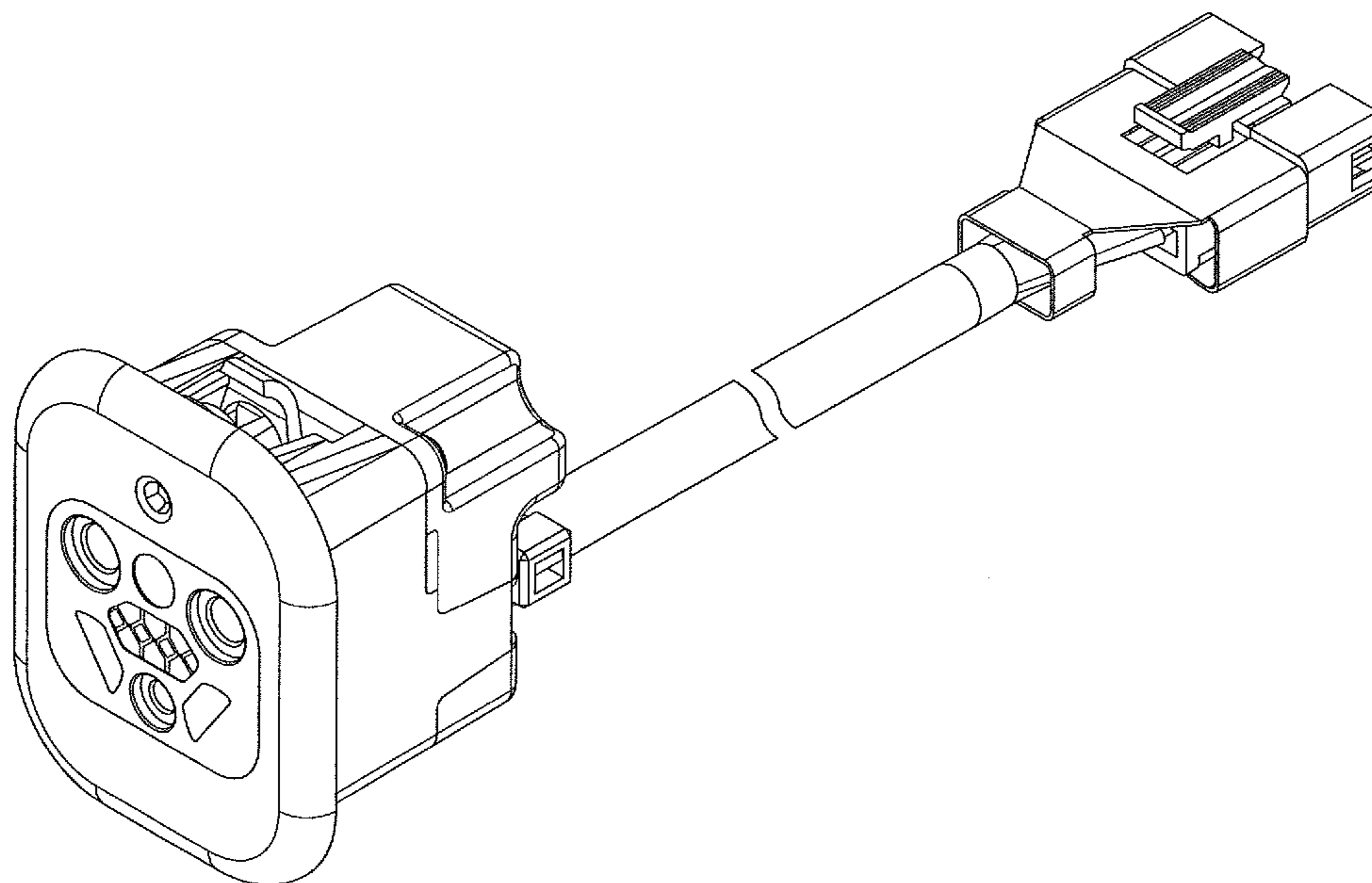
(57) **CLAIM**

The ornamental design for a magnetic jack, as shown and described.

DESCRIPTION

FIG. 1 is a perspective view from the front and one side of a magnetic jack showing our new design;
FIG. 2 is a perspective view from the rear and left side thereof;
FIG. 3 is a perspective view from the rear and right side thereof;
FIG. 4 is a front elevational view thereof;
FIG. 5 is a left side elevational view; and,
FIG. 6 is a rear elevational view.
The broken line portion of the figure drawings is included to show unclaimed subject matter only and forms no part of the claimed design.

1 Claim, 6 Drawing Sheets



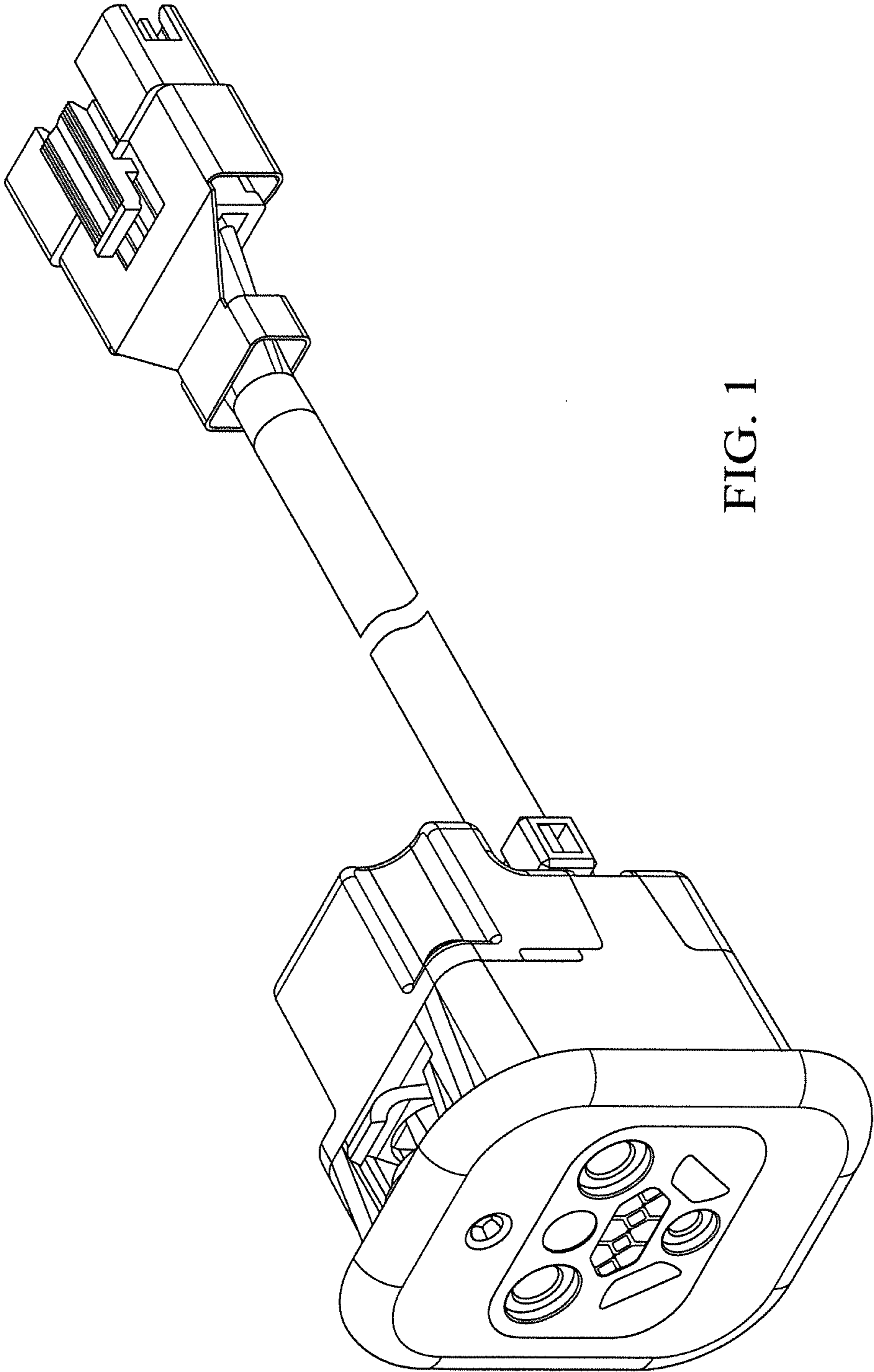


FIG. 1

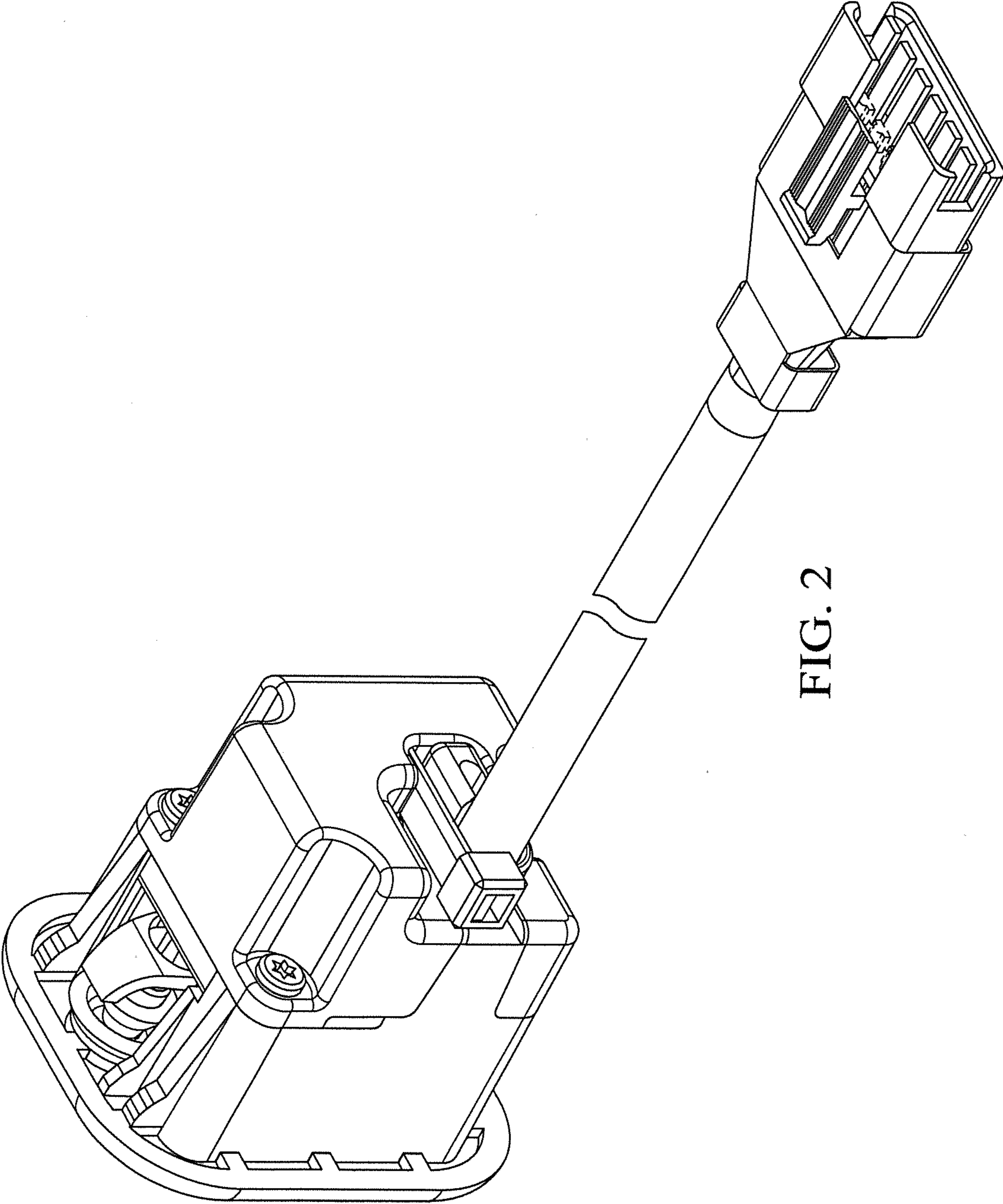


FIG. 2

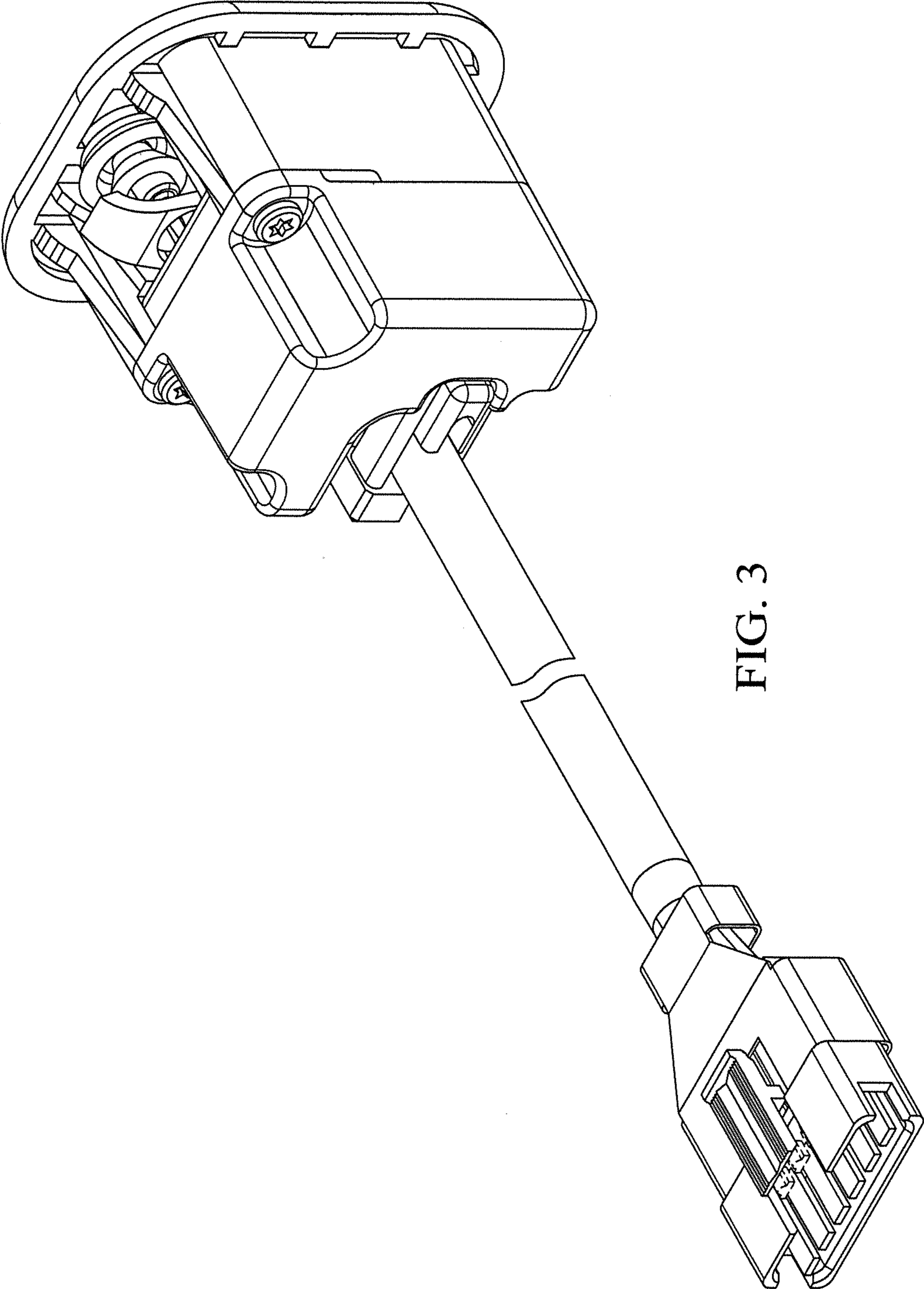


FIG. 3

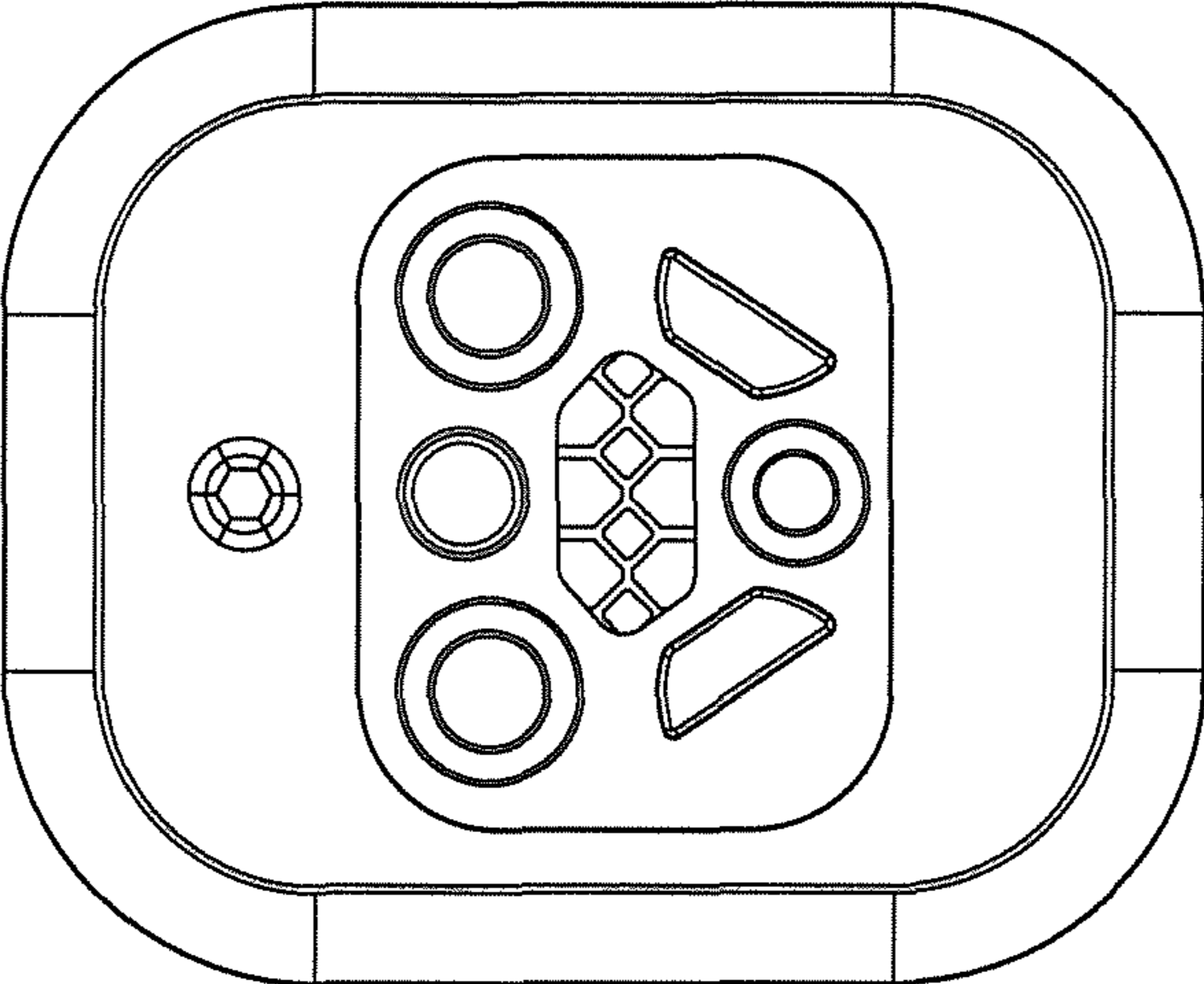


FIG. 4

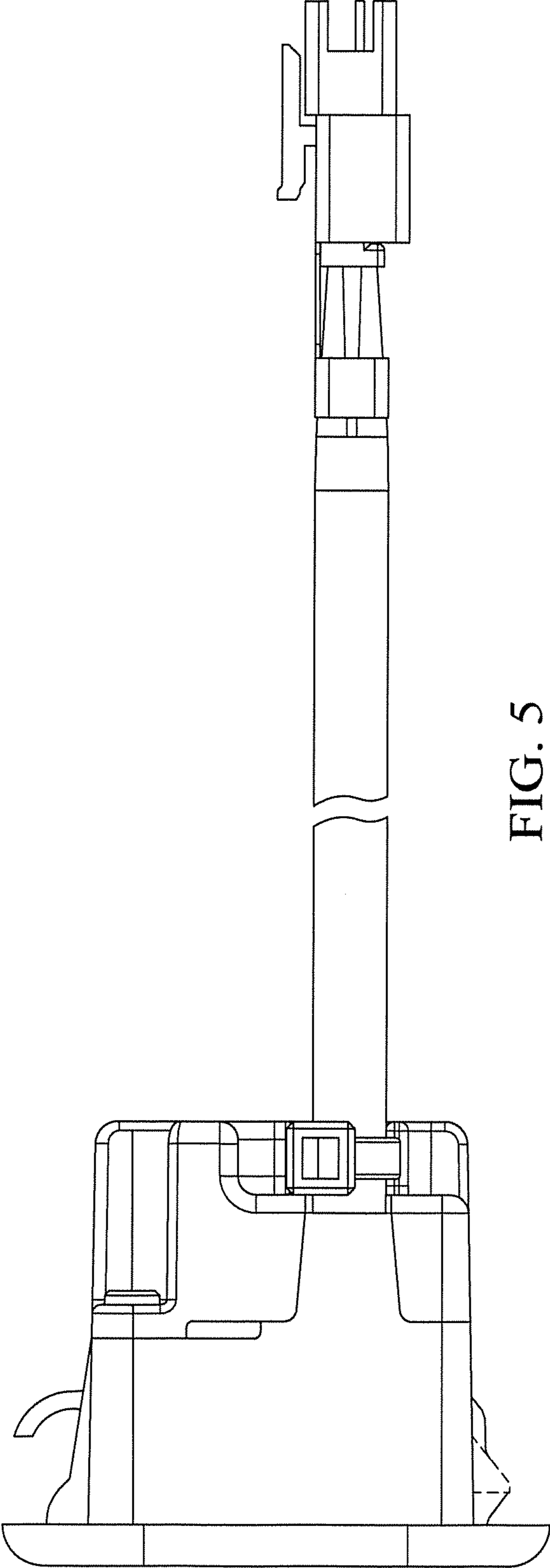


FIG. 5

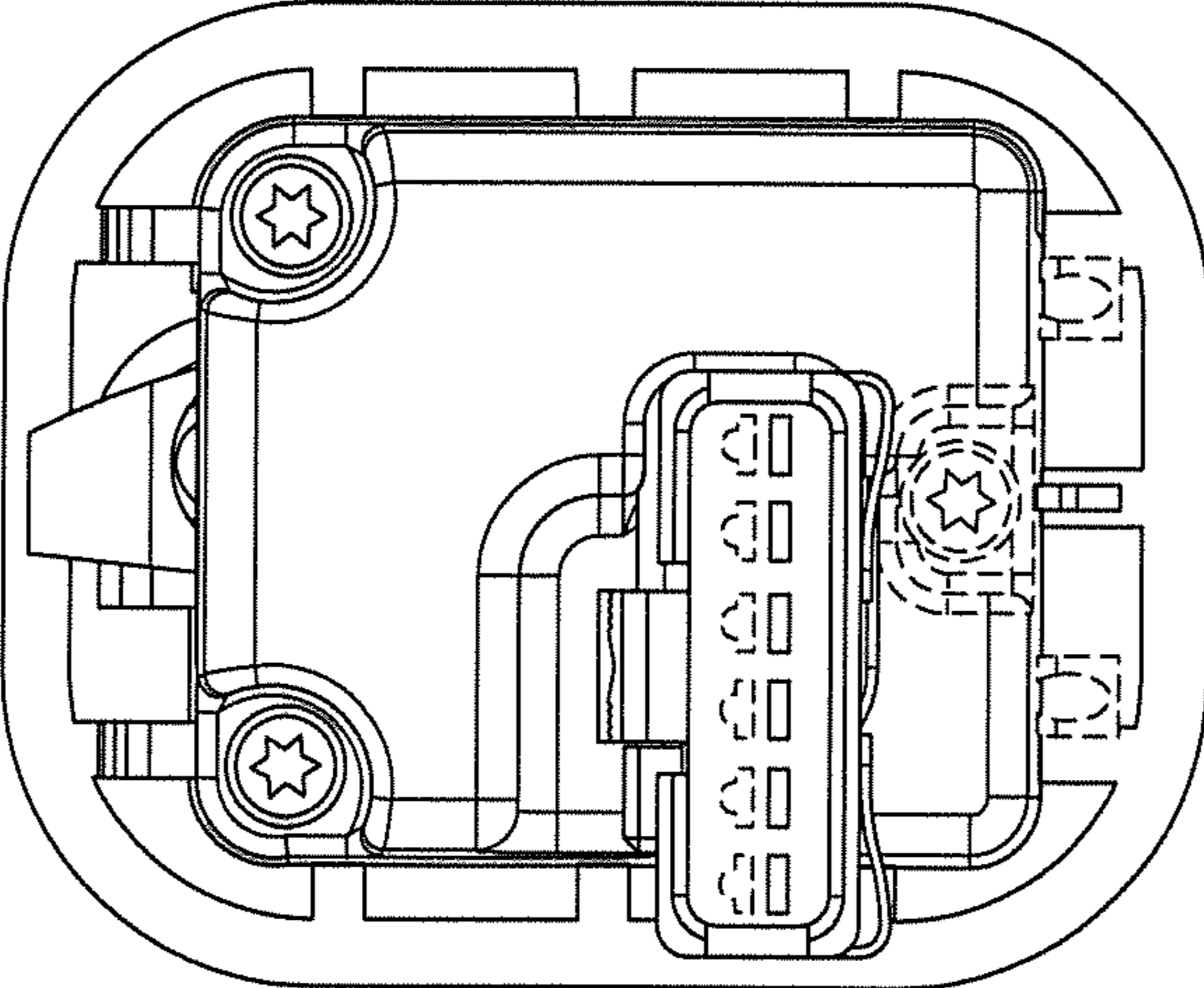


FIG. 6