



US00D711825S

(12) **United States Design Patent**  
**Wilson et al.**

(10) **Patent No.:** **US D711,825 S**

(45) **Date of Patent:** **\*\* Aug. 26, 2014**

(54) **ENCLOSURE FOR A GENERATOR**

(71) Applicant: **F.G. Wilson (Engineering) Limited,**  
Lame (GB)

(72) Inventors: **Michael J. Wilson,** Craigavon (IE);  
**Colin H. Nugent,** Crumlin (IE); **Gary R.**  
**Busby,** Antrim (IE); **Ivan R. Robinson,**  
Ballymena (IE)

(73) Assignee: **Caterpillar (NI) Limited** (IE)

(\*\*) Term: **14 Years**

(21) Appl. No.: **29/437,164**

(22) Filed: **Nov. 14, 2012**

(30) **Foreign Application Priority Data**

Jul. 27, 2012 (EM) ..... 0013370420001

(51) **LOC (10) Cl.** ..... **13-01**

(52) **U.S. Cl.**  
USPC ..... **D13/112**

(58) **Field of Classification Search**  
USPC ..... D13/112, 101, 110, 113, 114, 122, 184,  
D13/199; 123/2, 3, 41 E; 174/50; 290/1 A,  
290/1 B, 1 R, 4 B, 7, 31, 32; 307/153;  
322/39, 87, 199

See application file for complete search history.

(56) **References Cited**

U.S. PATENT DOCUMENTS

|           |   |   |         |                |       |         |
|-----------|---|---|---------|----------------|-------|---------|
| D303,785  | S | * | 10/1989 | Waltz et al.   | ..... | D13/122 |
| D309,288  | S | * | 7/1990  | Haverly        | ..... | D13/114 |
| D344,711  | S | * | 3/1994  | Clancey et al. | ..... | D13/114 |
| 5,734,148 | A | * | 3/1998  | Latvis et al.  | ..... | 219/133 |
| D416,537  | S | * | 11/1999 | Imai et al.    | ..... | D13/116 |
| D480,359  | S | * | 10/2003 | Yamada et al.  | ..... | D13/114 |
| D646,634  | S | * | 10/2011 | Kipka          | ..... | D13/114 |

\* cited by examiner

*Primary Examiner* — Derrick Holland

(74) *Attorney, Agent, or Firm* — Finnegan, Henderson,  
Farabow, Garrett & Dunner LLP

(57) **CLAIM**

The ornamental design for an enclosure for a generator, as shown and described.

**DESCRIPTION**

FIG. 1 is a front left perspective view of an enclosure for a generator showing our new design;

FIG. 2 is a front left perspective view thereof, shown in an open condition;

FIG. 3 is a right side elevation view thereof;

FIG. 4 is a rear view thereof;

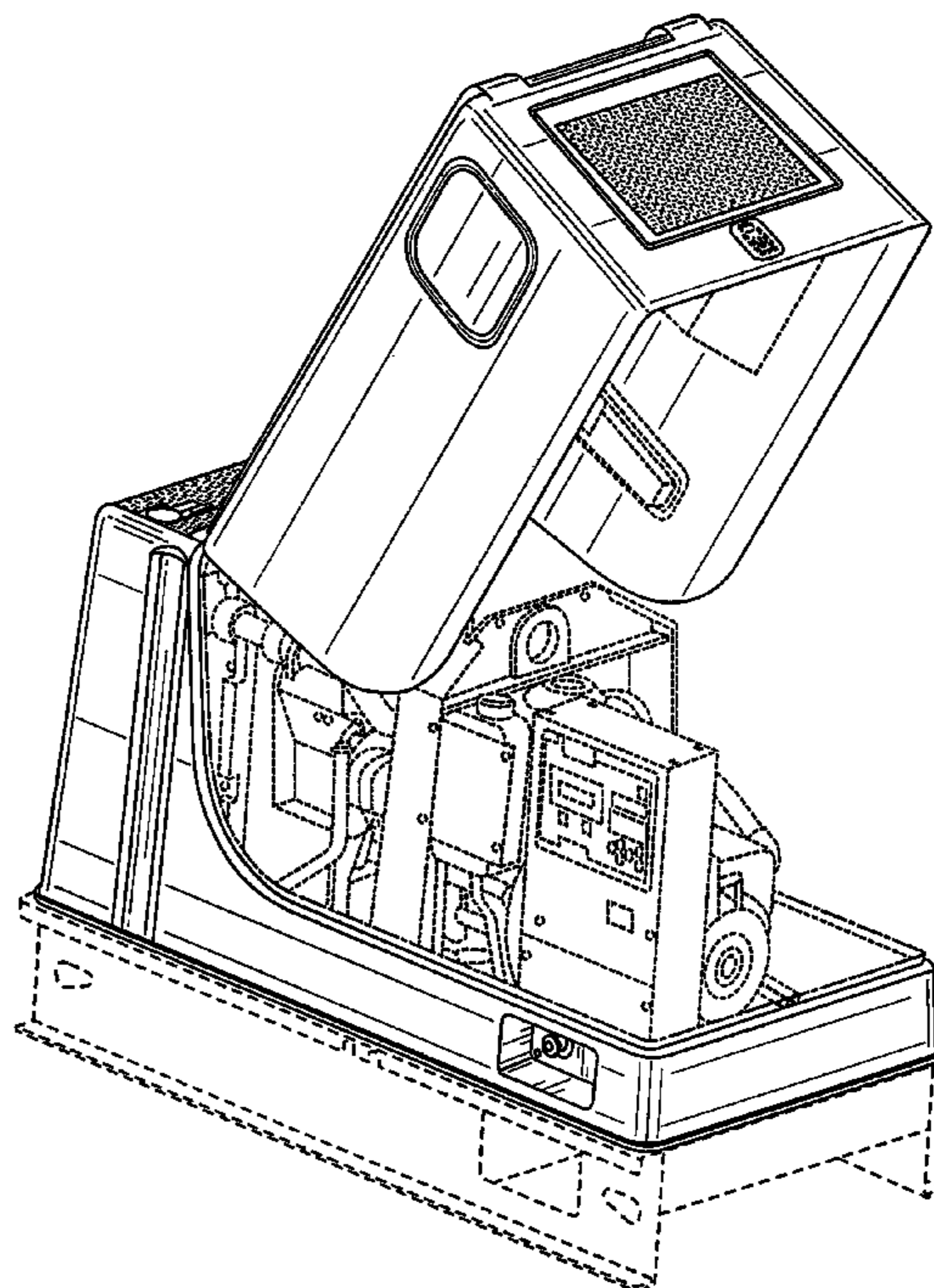
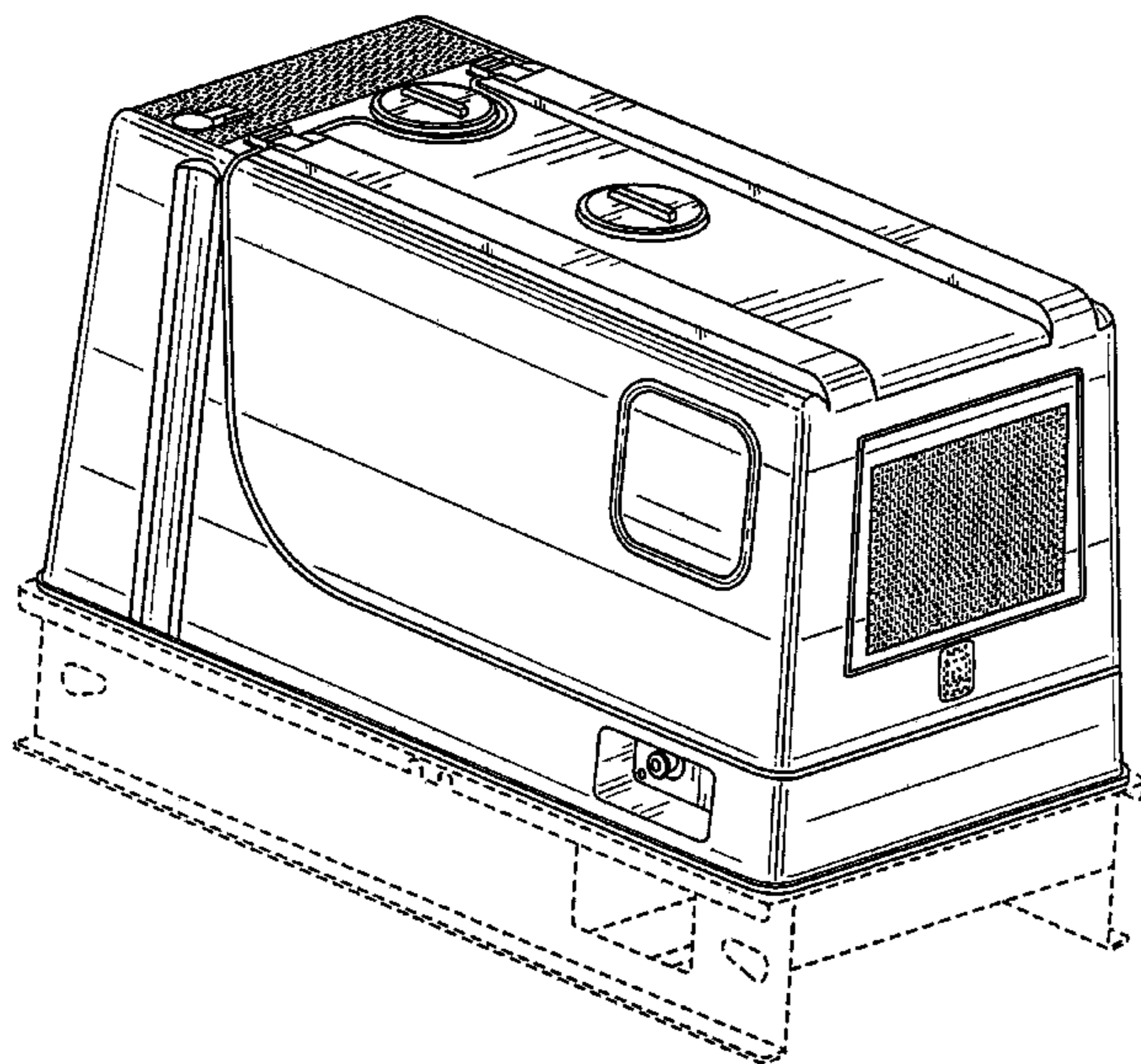
FIG. 5 is a left side elevation view thereof;

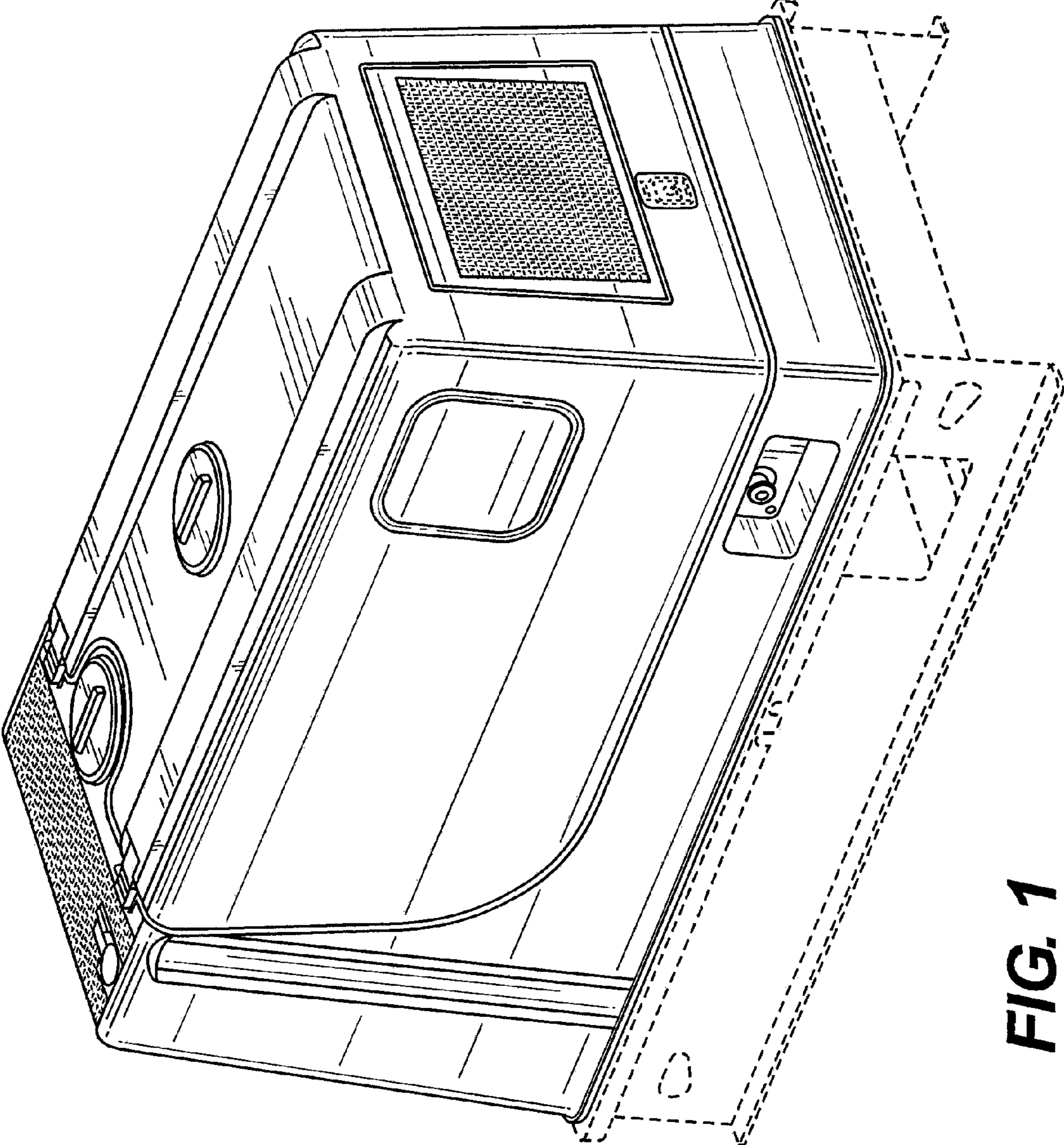
FIG. 6 is a front view thereof; and,

FIG. 7 is a top plan view thereof.

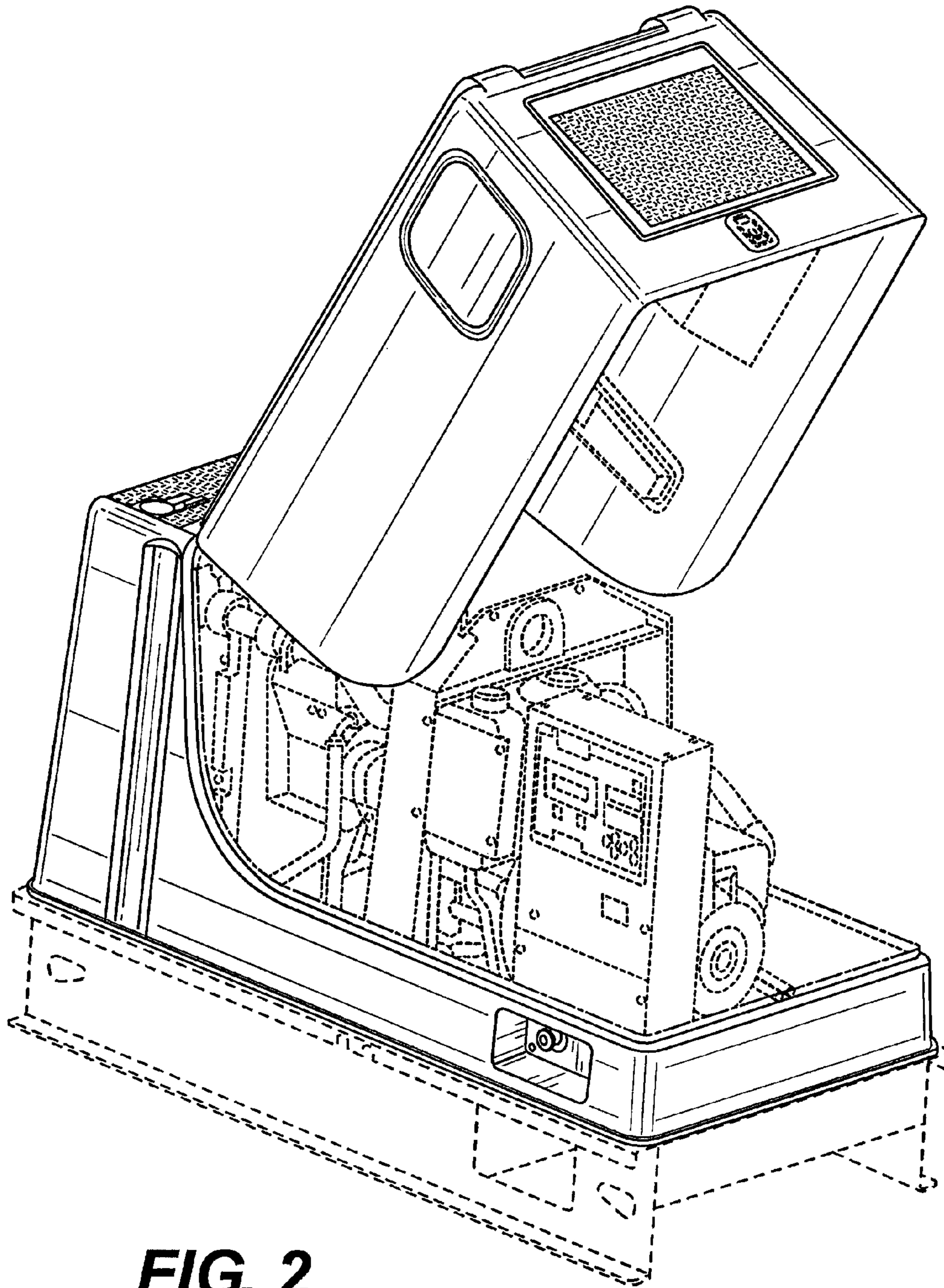
The broken lines shown represent unclaimed subject matter and form no part of the claim design. The uneven broken lines shown in FIG. 2 define the boundary of the interior of the enclosure for a generator and form no part of the claimed design.

**1 Claim, 7 Drawing Sheets**

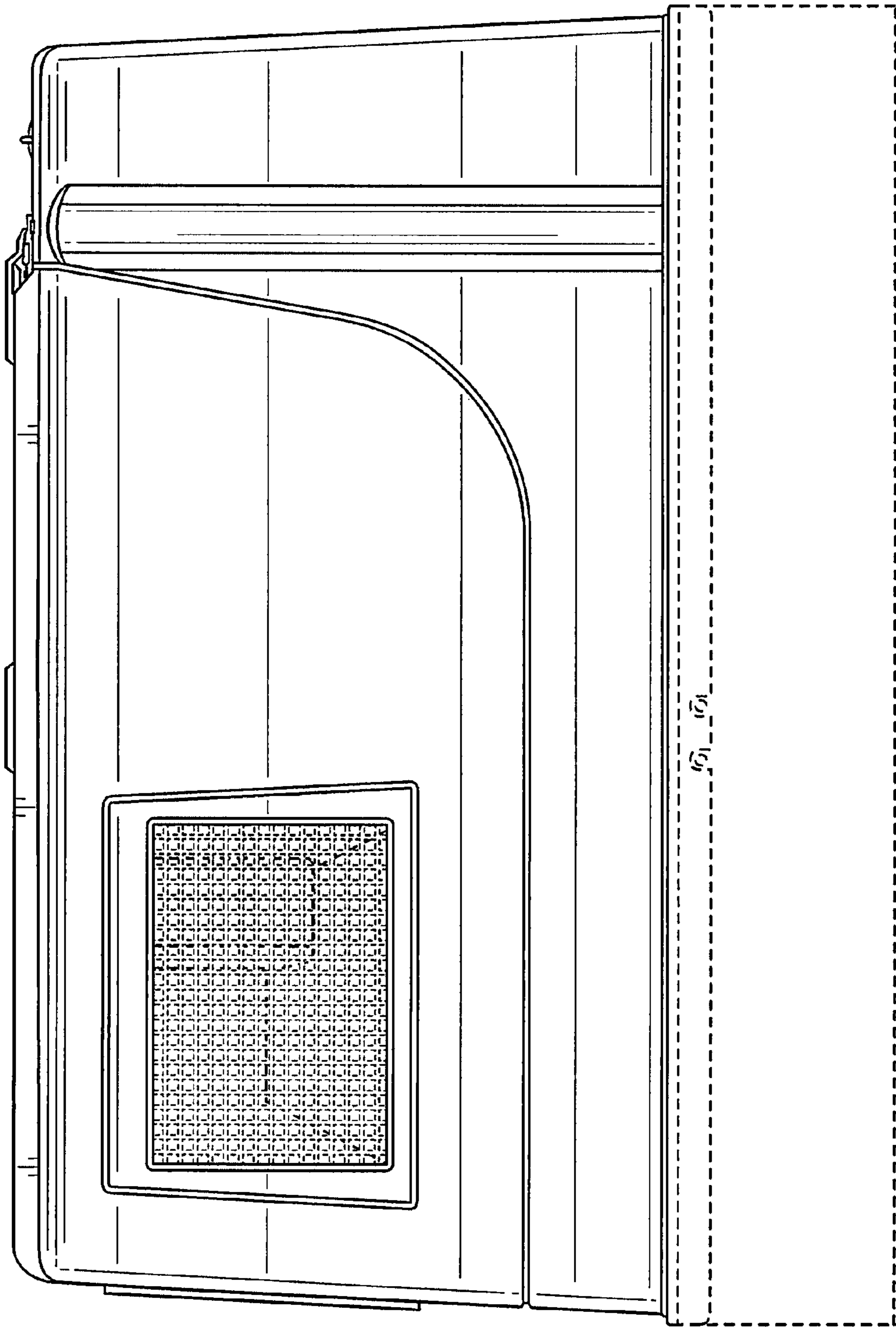




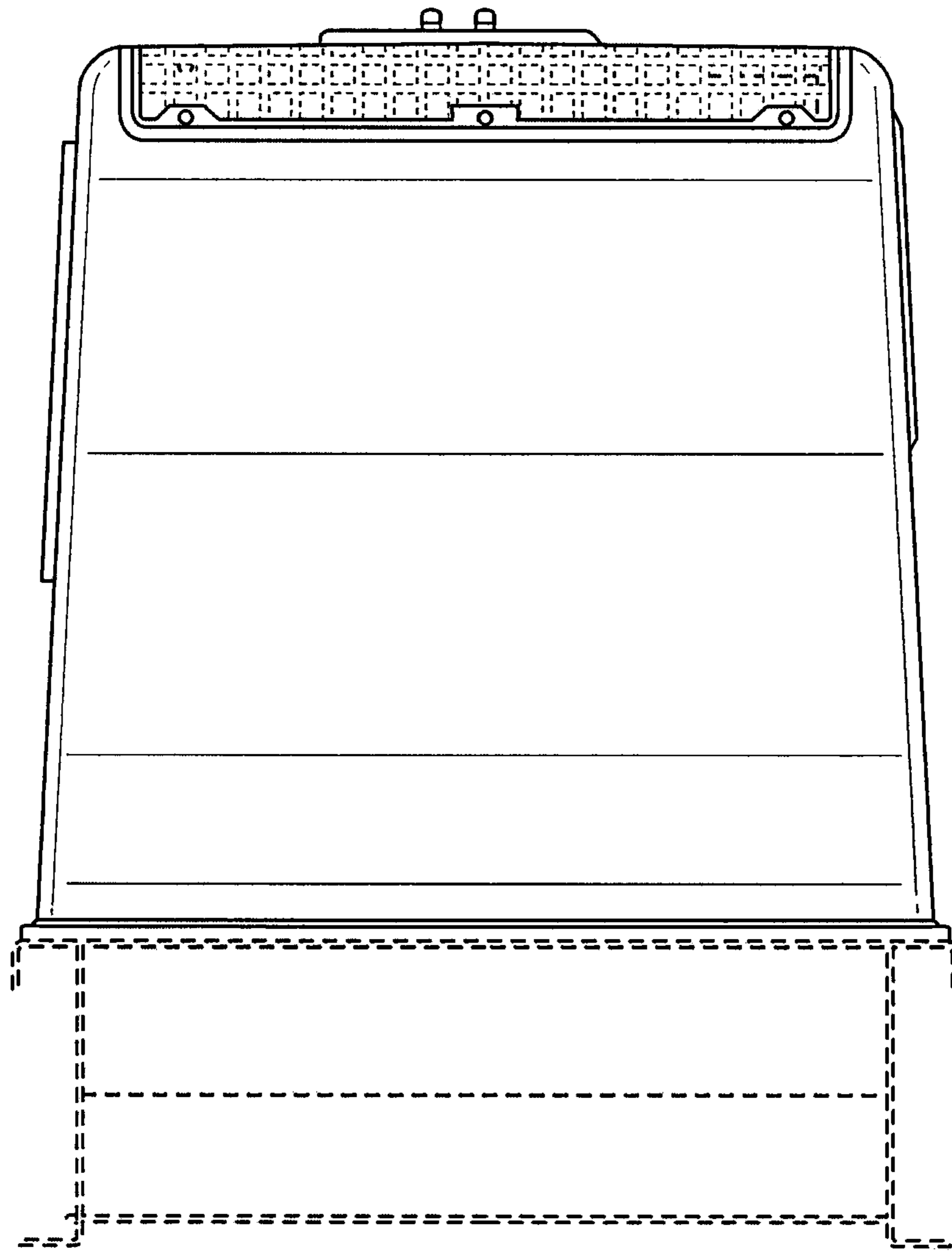
**FIG. 1**



**FIG. 2**



**FIG. 3**



**FIG. 4**

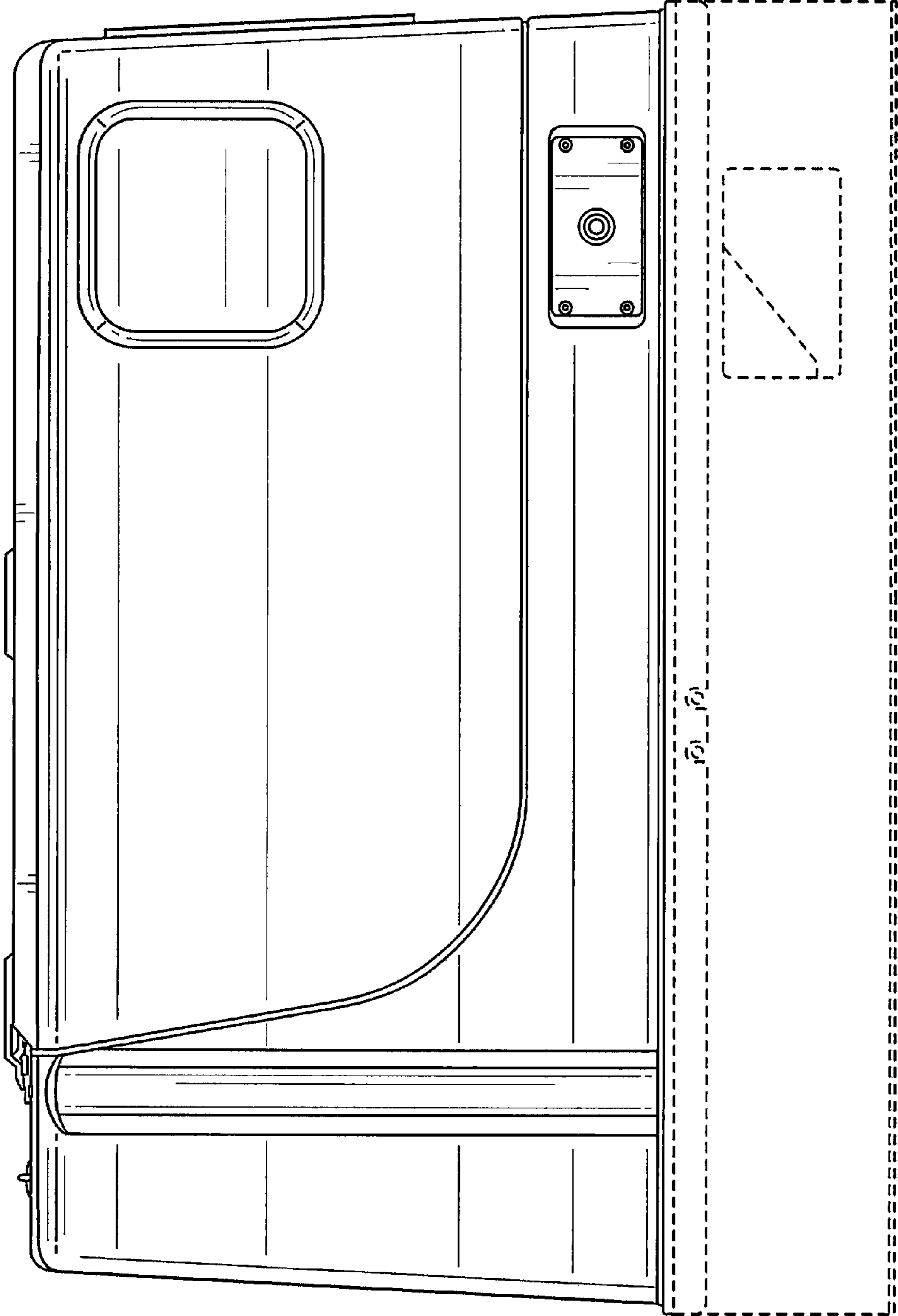
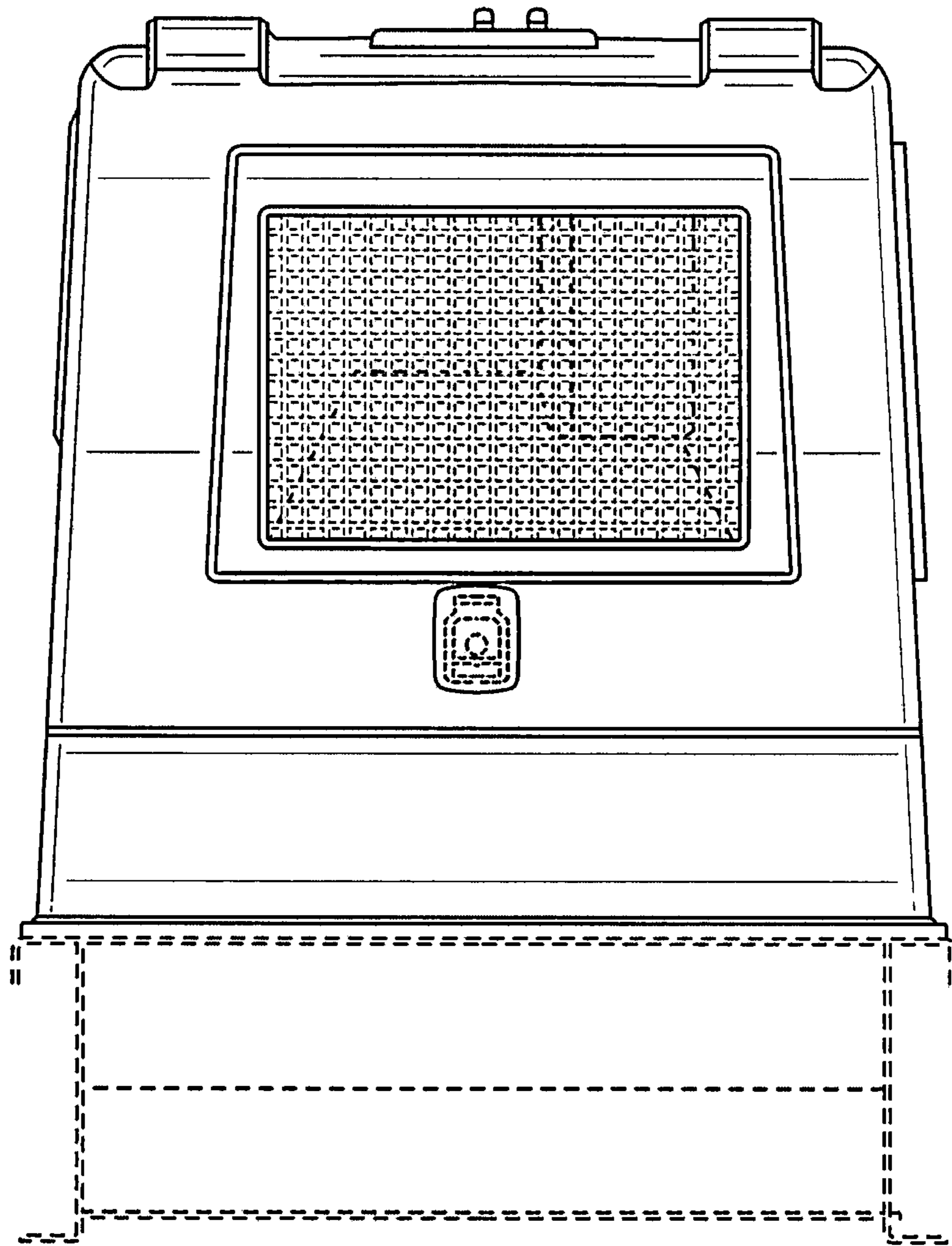
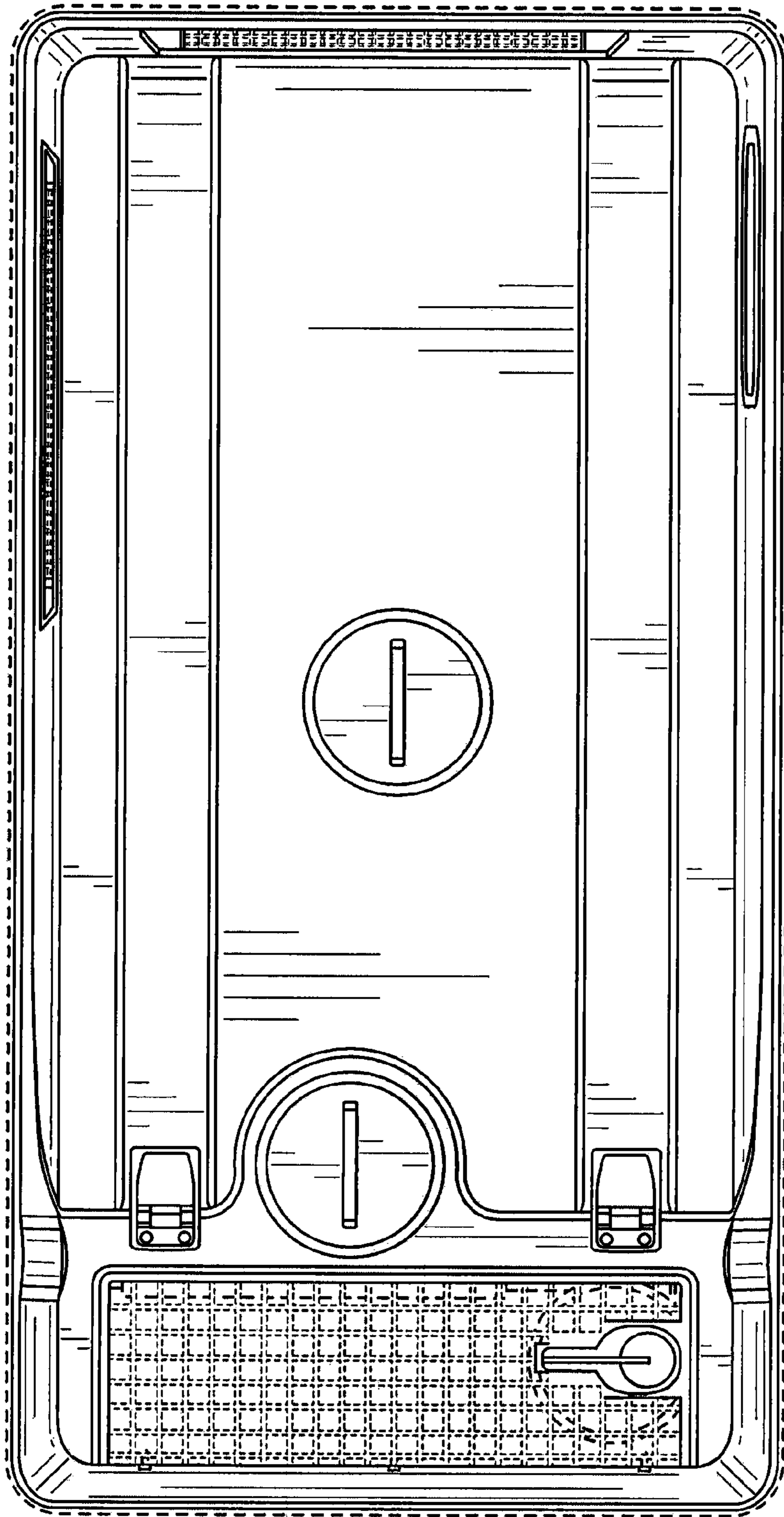


FIG. 5



**FIG. 6**



**FIG. 7**