



US00D711824S

(12) **United States Design Patent**  
**Matsuoka et al.**

(10) **Patent No.:** **US D711,824 S**  
(45) **Date of Patent:** **\*\* Aug. 26, 2014**

(54) **POWER ADAPTER**

(71) Applicant: **Google Inc.**, Mountain View, CA (US)

(72) Inventors: **Yoshimichi Matsuoka**, Cupertino, CA (US); **Jeffrey Hayashida**, San Francisco, CA (US)

(73) Assignee: **Google Inc.**, Mountain View, CA (US)

(\*\*) Term: **14 Years**

(21) Appl. No.: **29/471,033**

(22) Filed: **Oct. 28, 2013**

**Related U.S. Application Data**

(63) Continuation of application No. 29/446,213, filed on Feb. 21, 2013, now Pat. No. Des. 694,185.

(51) **LOC (10) Cl.** ..... **13-02**

(52) **U.S. Cl.**  
USPC ..... **D13/110**

(58) **Field of Classification Search**  
USPC ..... D13/110, 107, 108, 123, 133, 137.1, D13/138.1, 199; 174/53, 54, 59, 61; 307/150, 151; 320/111, 114; 363/132, 363/140, 142, 143, 146; 439/105, 131, 166, 439/171-173, 218, 518, 692, 956; D14/240, 251, 253, 432, 433, 434  
See application file for complete search history.

(56) **References Cited**

**U.S. PATENT DOCUMENTS**

4,973,827 A	11/1990	Nozaki	
4,997,381 A	3/1991	Oh	
5,019,767 A *	5/1991	Shirai et al.	320/112
D338,188 S	8/1993	Lee et al.	
5,507,667 A	4/1996	Hahn et al.	
5,613,863 A	3/1997	Klaus et al.	
D383,115 S *	9/1997	Nagele et al.	D13/110
5,684,689 A	11/1997	Hahn	

5,720,628 A	2/1998	Usui et al.	
5,819,894 A	10/1998	Okamoto	
5,984,224 A	11/1999	Yang	
D424,528 S *	5/2000	Dernehl	D13/184
6,086,395 A	7/2000	Lloyd et al.	
D428,862 S	8/2000	Queffelec et al.	
D456,008 S	4/2002	Kawanobe et al.	
6,386,908 B2	5/2002	Kato et al.	
D478,310 S	8/2003	Andre et al.	
D478,546 S	8/2003	Andre et al.	

(Continued)

*Primary Examiner* — Derrick Holland

(74) *Attorney, Agent, or Firm* — Lerner, David, Littenberg, Krumholz & Mentlik, LLP

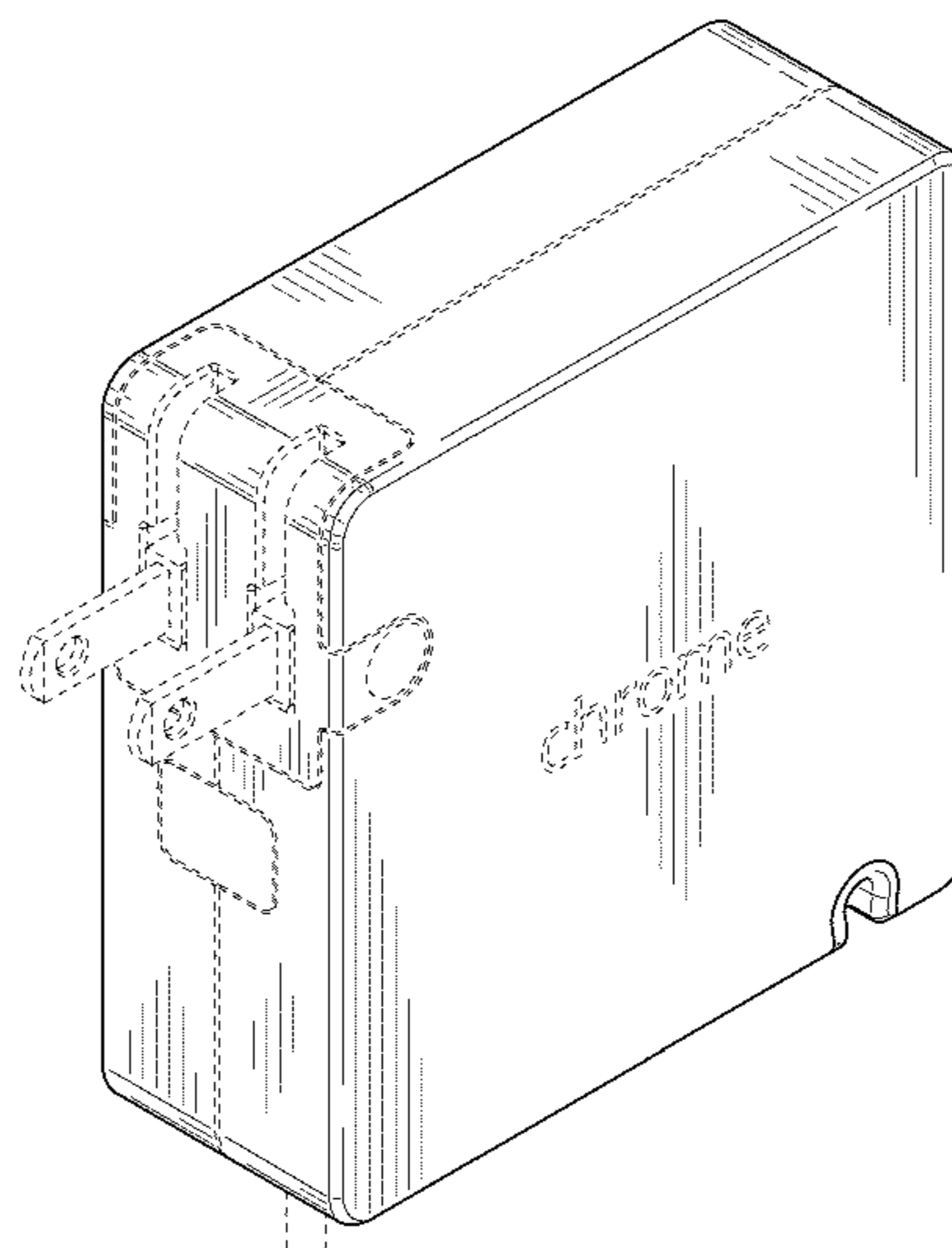
(57) **CLAIM**

The ornamental design for a power adapter, as shown and described.

**DESCRIPTION**

FIG. 1 is a front-top perspective view of a power adapter according to a first embodiment of our design; FIG. 2 is a front elevation view thereof, a back elevation view of which is a mirror image thereof; FIG. 3 is a right elevation view thereof; FIG. 4 is a left elevation view thereof; FIG. 5 is a top view thereof; FIG. 6 is a bottom view thereof; FIG. 7 is a front-bottom perspective thereof; FIG. 8 is a front-top perspective view of a power adapter according to a second embodiment of our design; FIG. 9 is a front elevation view thereof, a back elevation view of which is a mirror image thereof; FIG. 10 is a right elevation view thereof; FIG. 11 is a left elevation view thereof; FIG. 12 is a top view thereof; FIG. 13 is a bottom view thereof; and, FIG. 14 is a front-bottom perspective thereof. The broken lines shown represent unclaimed subject matter and form no part of the claimed design.

**1 Claim, 6 Drawing Sheets**



(56)

References Cited

U.S. PATENT DOCUMENTS

D479,823 S	9/2003	Andre et al.		D638,357 S	5/2011	Sasada et al.
6,705,890 B2	3/2004	Kitou et al.		D639,238 S	6/2011	Serrano
6,705,891 B1	3/2004	Lin		8,087,946 B2	1/2012	Namiki et al.
D492,250 S *	6/2004	Alviar et al.	..... D13/110	D658,123 S	4/2012	Andre et al.
D498,462 S	11/2004	Andre et al.		D662,473 S	6/2012	Andre et al.
D503,679 S *	4/2005	Andre et al.	..... D13/110	8,215,983 B2	7/2012	Obata et al.
D519,922 S	5/2006	Andre et al.		8,222,773 B2	7/2012	De Iuliis et al.
7,077,693 B1	7/2006	Symons		8,382,526 B2	2/2013	Chen et al.
7,175,474 B1	2/2007	Chang et al.		8,517,761 B2	8/2013	Frenkil
D552,034 S	10/2007	Hobson et al.		8,529,287 B2	9/2013	Frenkil
D573,946 S	7/2008	Ledbetter et al.		2002/0106933 A1	8/2002	Lee
7,399,199 B2	7/2008	Symons		2002/0106934 A1	8/2002	Bean
7,467,971 B2	12/2008	Lin et al.		2002/0127898 A1	9/2002	Liu
D587,192 S	2/2009	McGinley et al.		2002/0168891 A1	11/2002	Kitou et al.
D593,031 S	5/2009	Miyatake et al.		2003/0137810 A1	7/2003	Chen
D595,654 S	7/2009	Andre et al.		2004/0204177 A1	10/2004	Pon
D599,738 S	9/2009	Amidei et al.		2005/0026495 A1	2/2005	Zoller
7,621,765 B1	11/2009	Wu		2009/0117765 A1	5/2009	Wen et al.
D611,415 S	3/2010	Andre et al.		2010/0015848 A1	1/2010	Huang et al.
D621,782 S	8/2010	Chang et al.		2010/0068920 A1	3/2010	Shen et al.
7,766,698 B1	8/2010	De Iuliis et al.		2010/0139950 A1	6/2010	Chen
D623,136 S	9/2010	Andre et al.		2010/0261376 A1	10/2010	Hwang et al.
7,803,012 B2	9/2010	Shen et al.		2011/0053410 A1	3/2011	Namiki et al.
7,887,341 B2	2/2011	Liao		2012/0220162 A1	8/2012	Zhou et al.
7,911,757 B2	3/2011	Hsu et al.		2012/0322296 A1	12/2012	Frenkil
				2012/0322297 A1	12/2012	Frenkil
				2013/0023148 A1	1/2013	Yap

\* cited by examiner

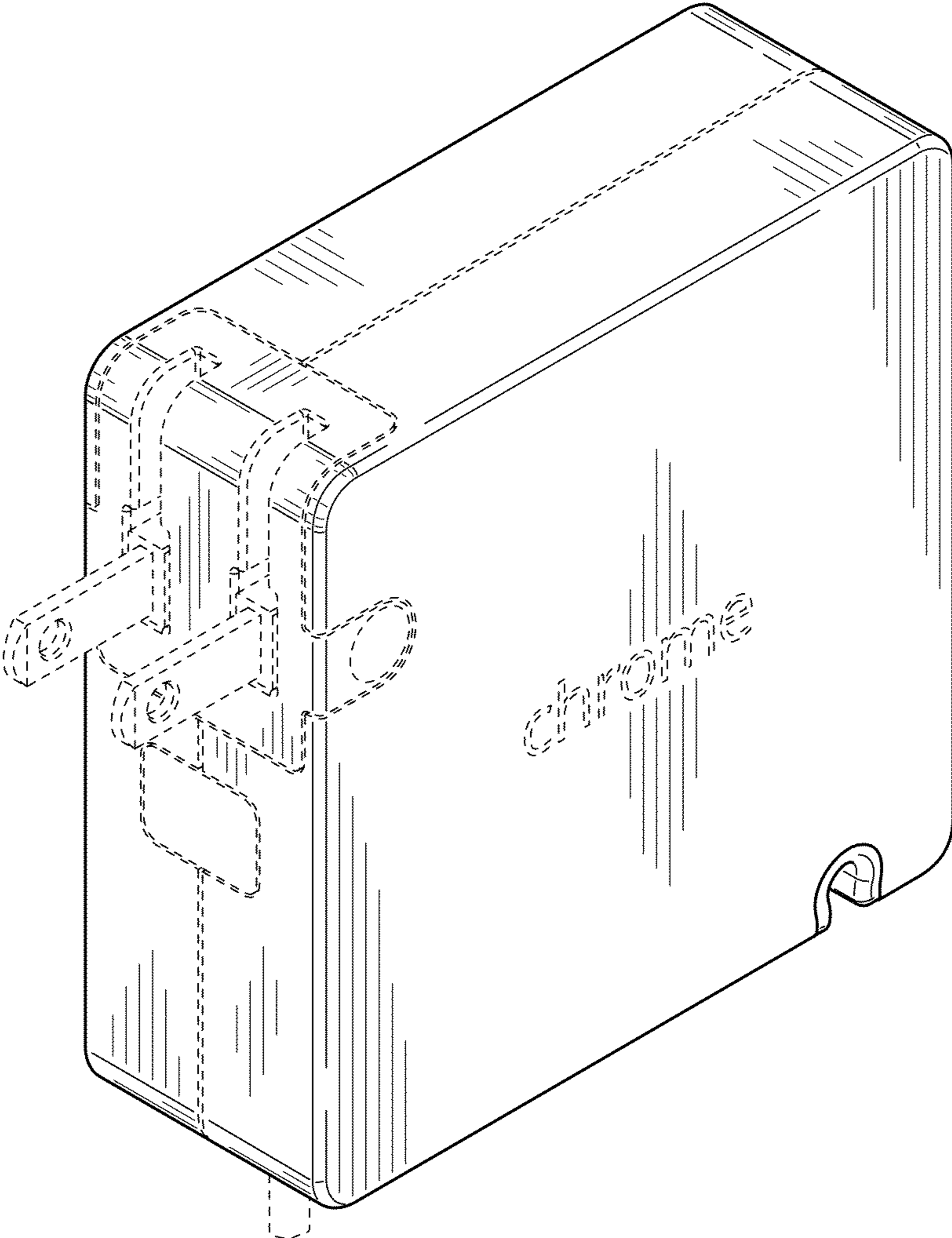


FIG. 1

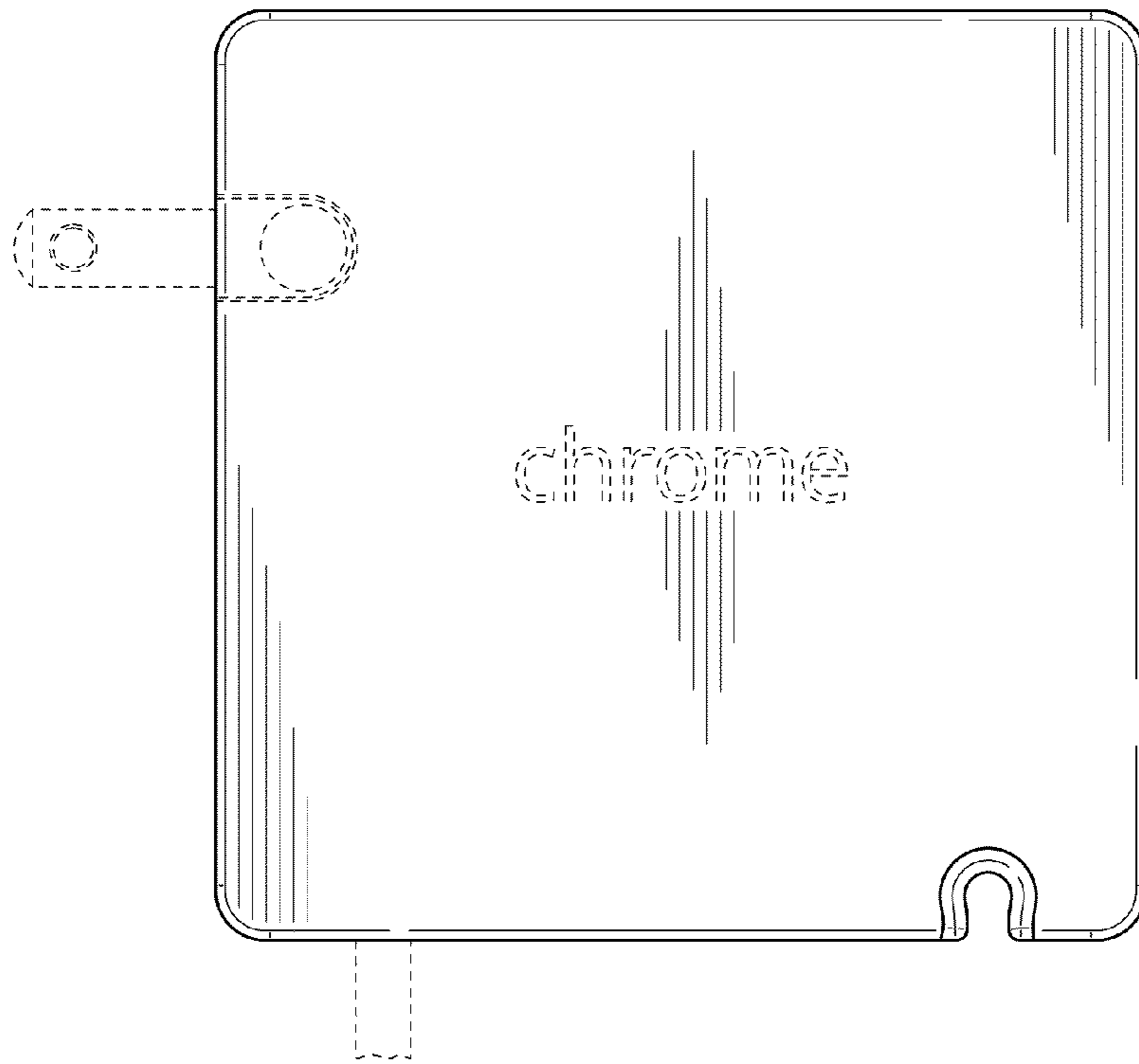


FIG. 2

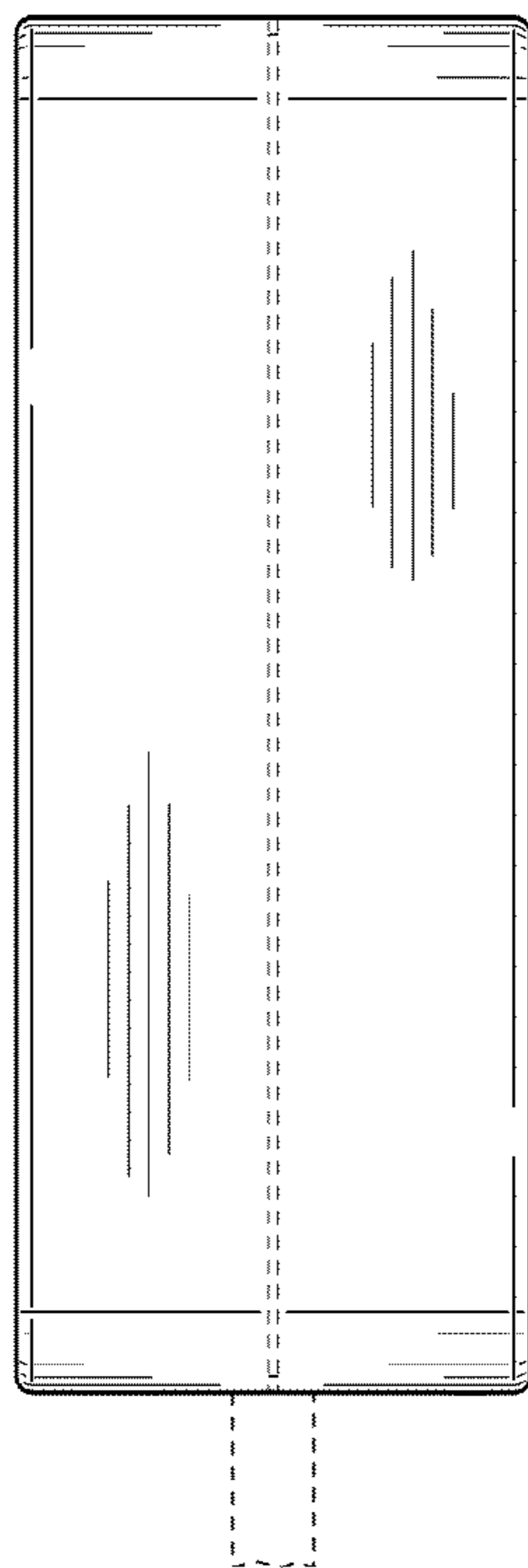


FIG. 3

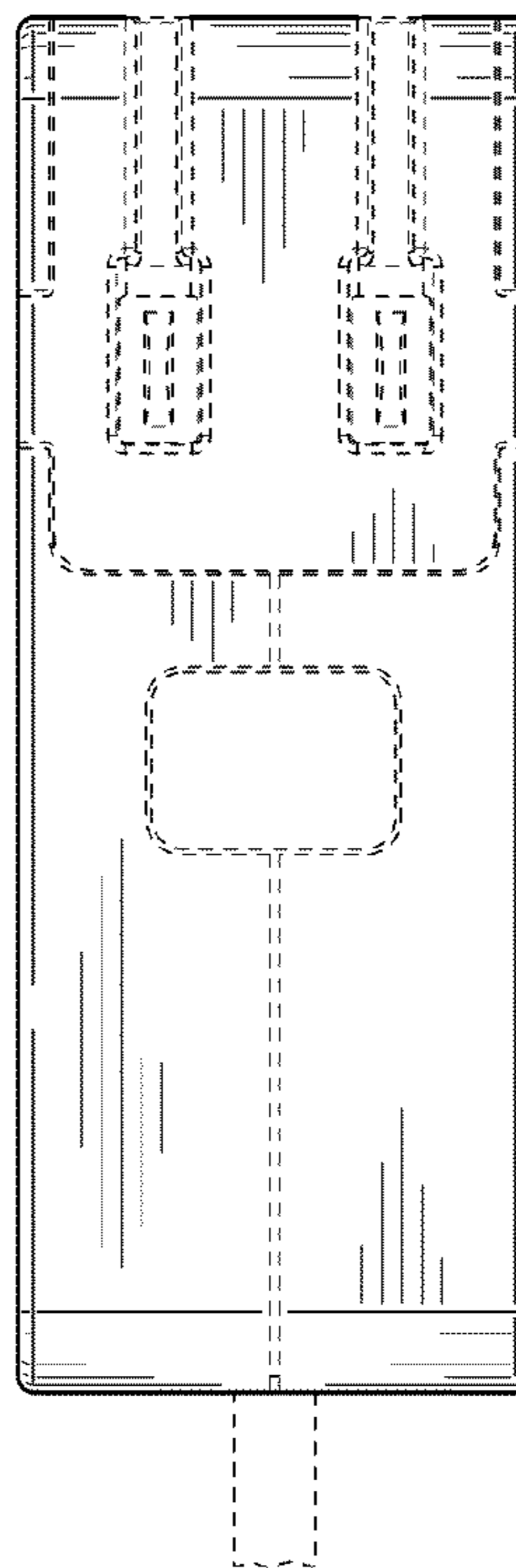


FIG. 4

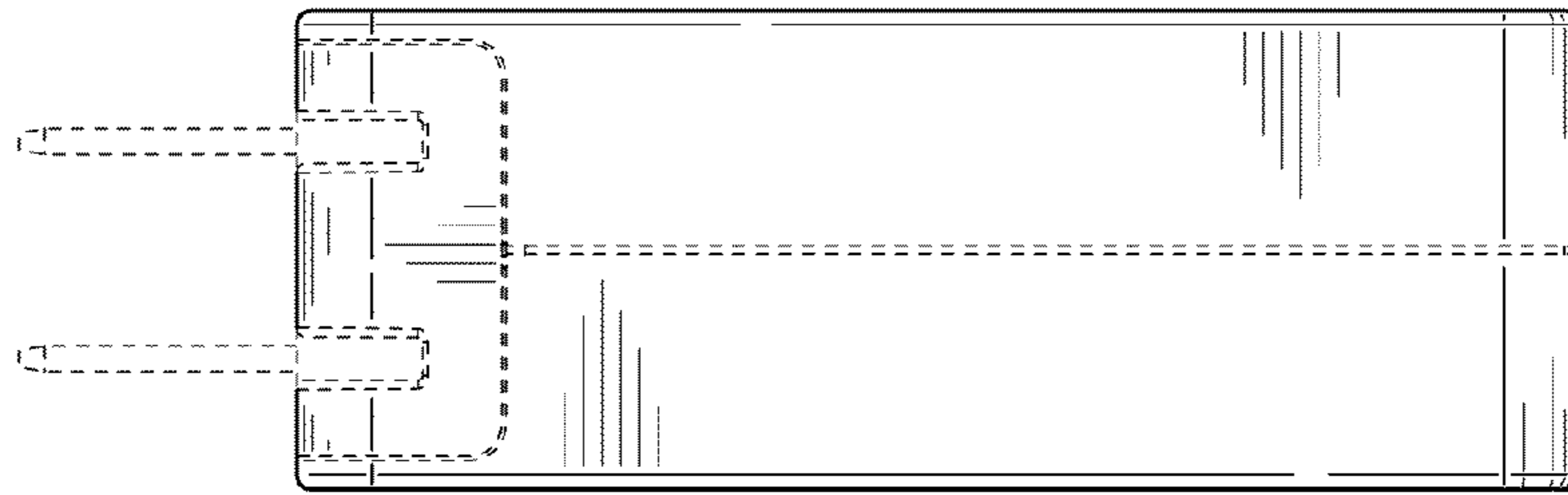


FIG. 5

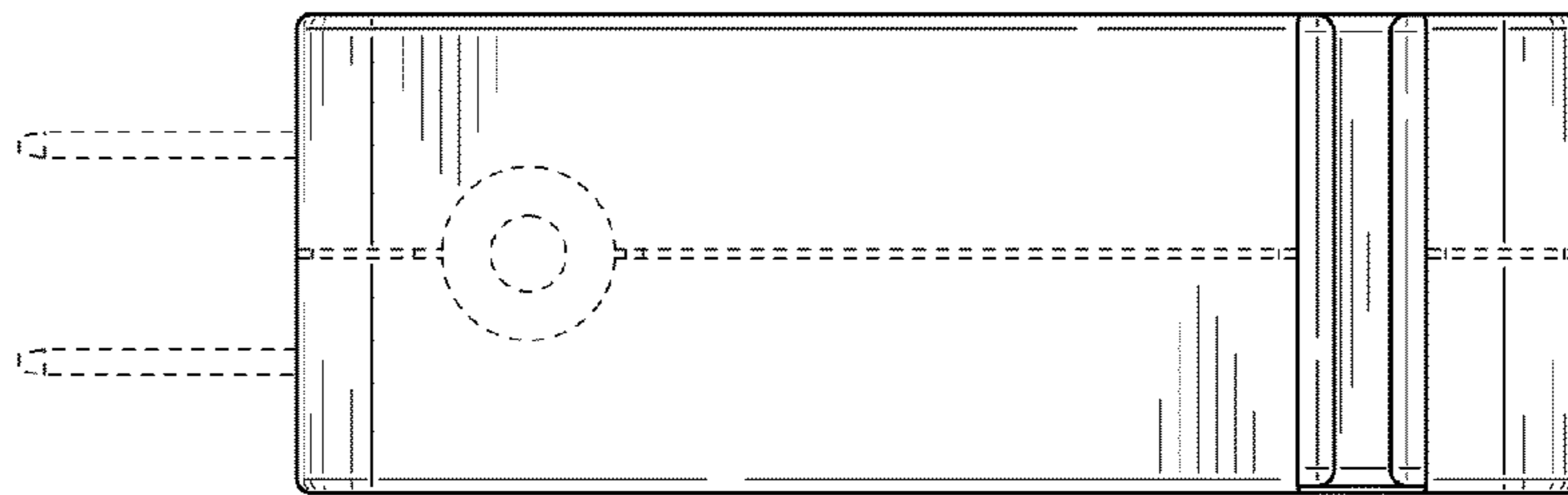


FIG. 6

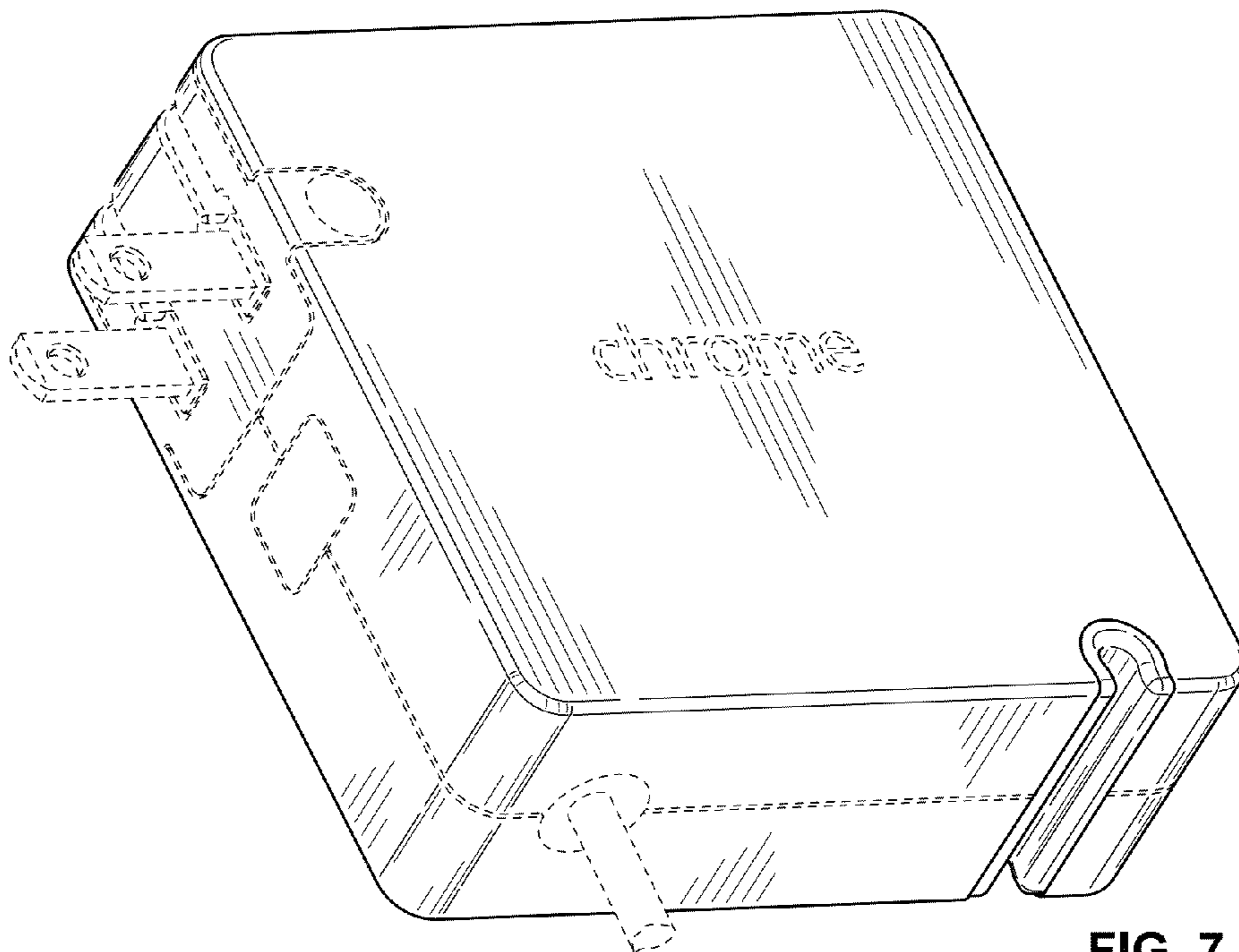


FIG. 7

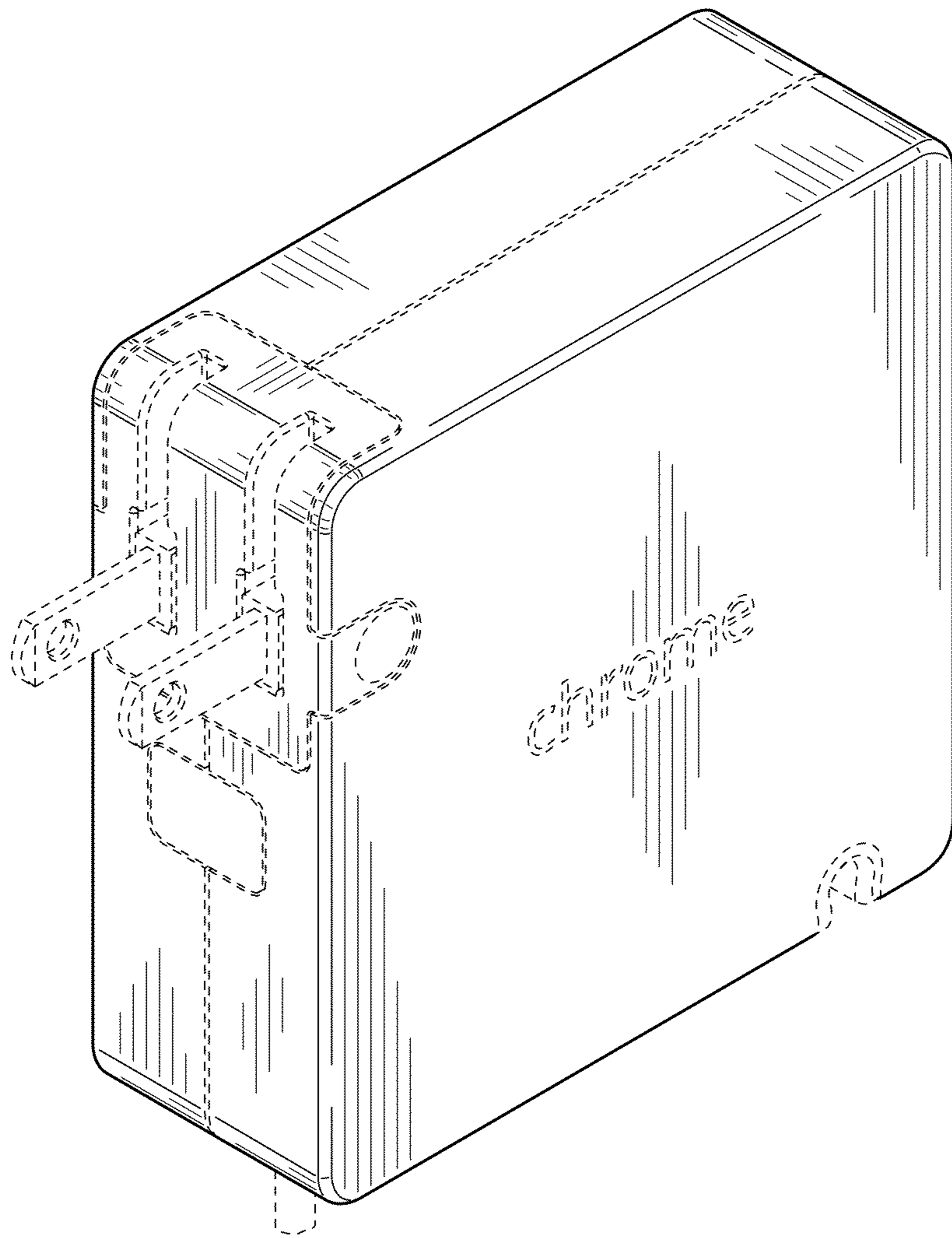


FIG. 8

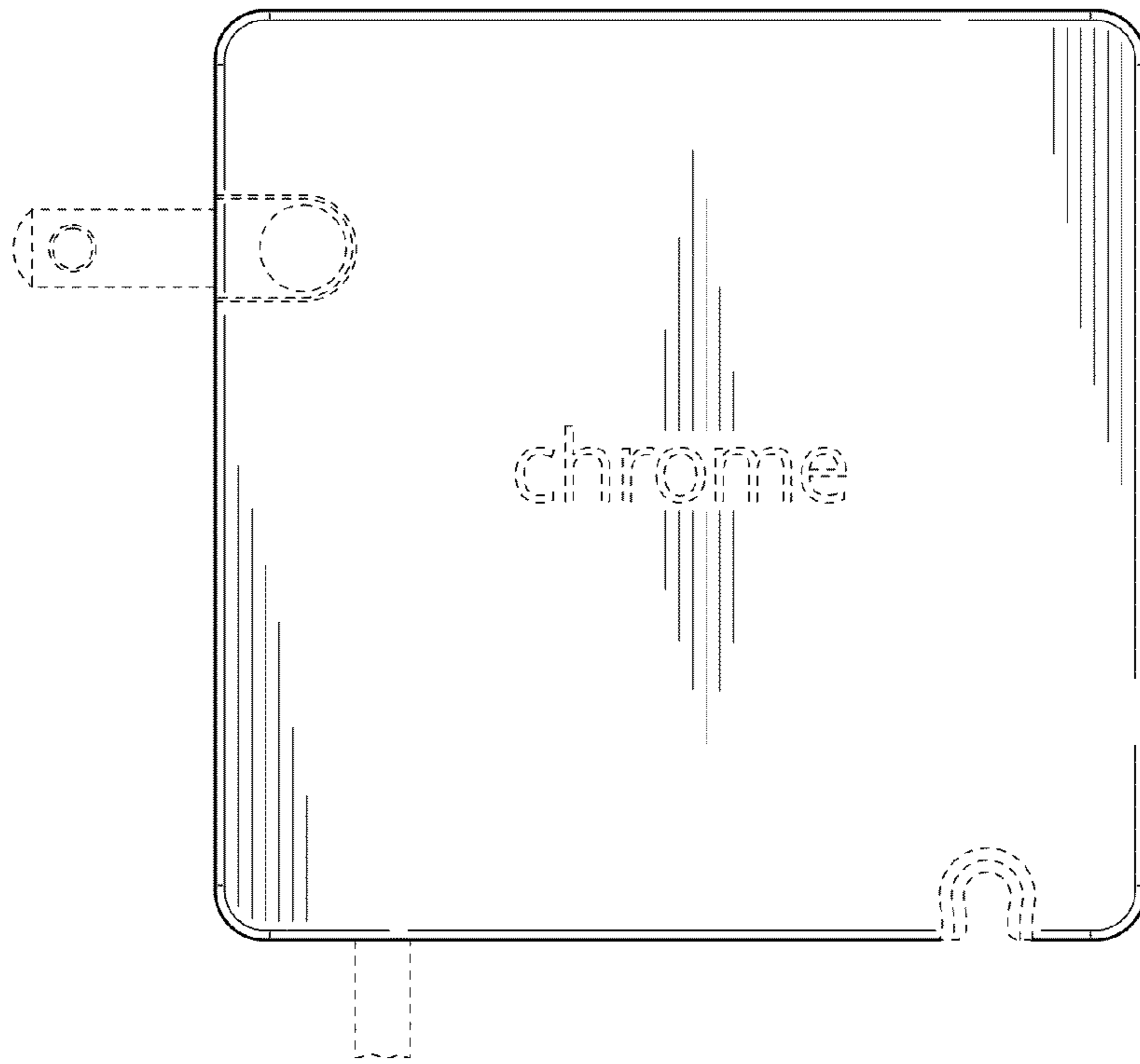


FIG. 9

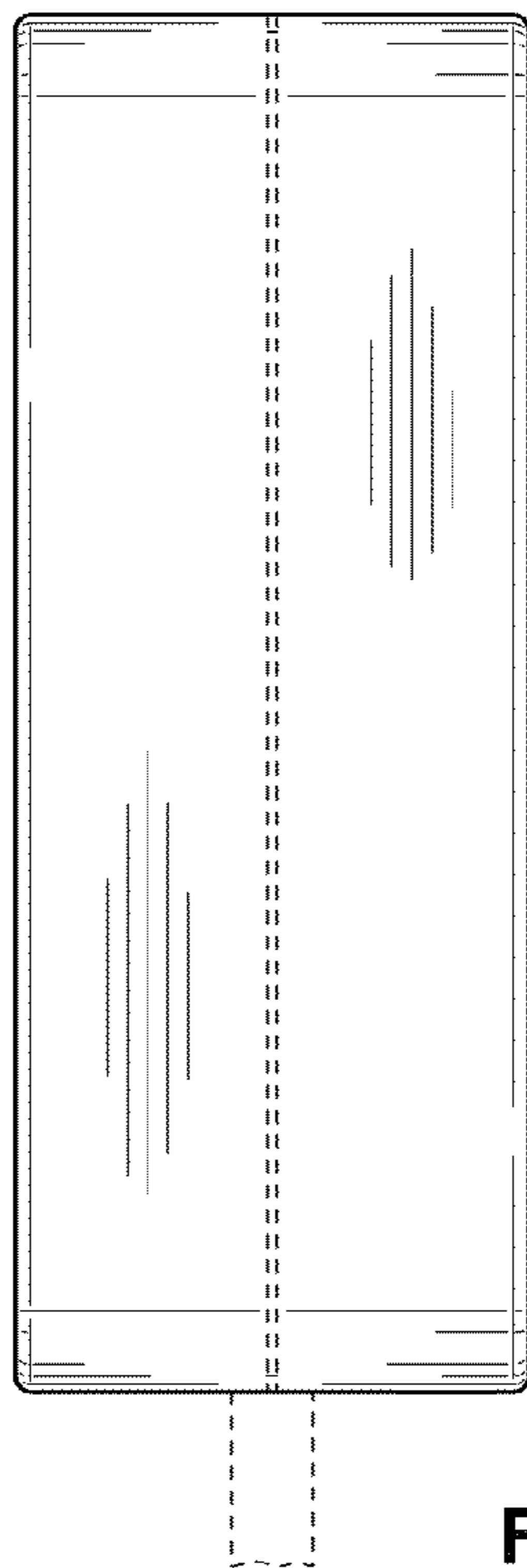


FIG. 10

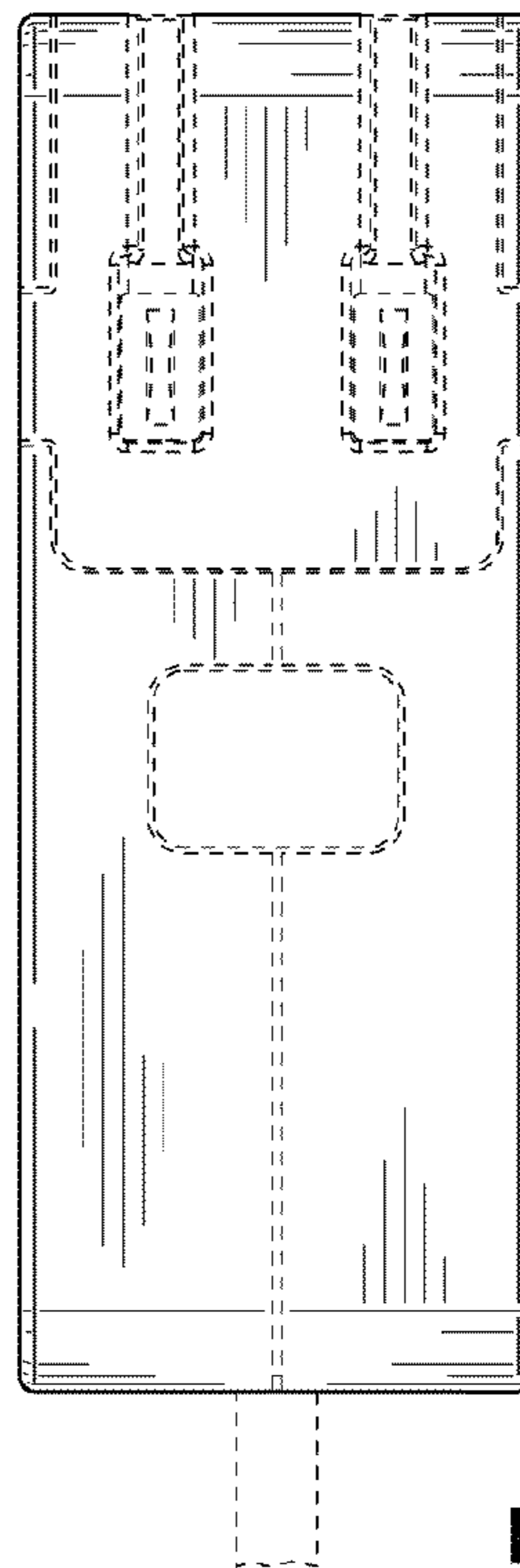


FIG. 11

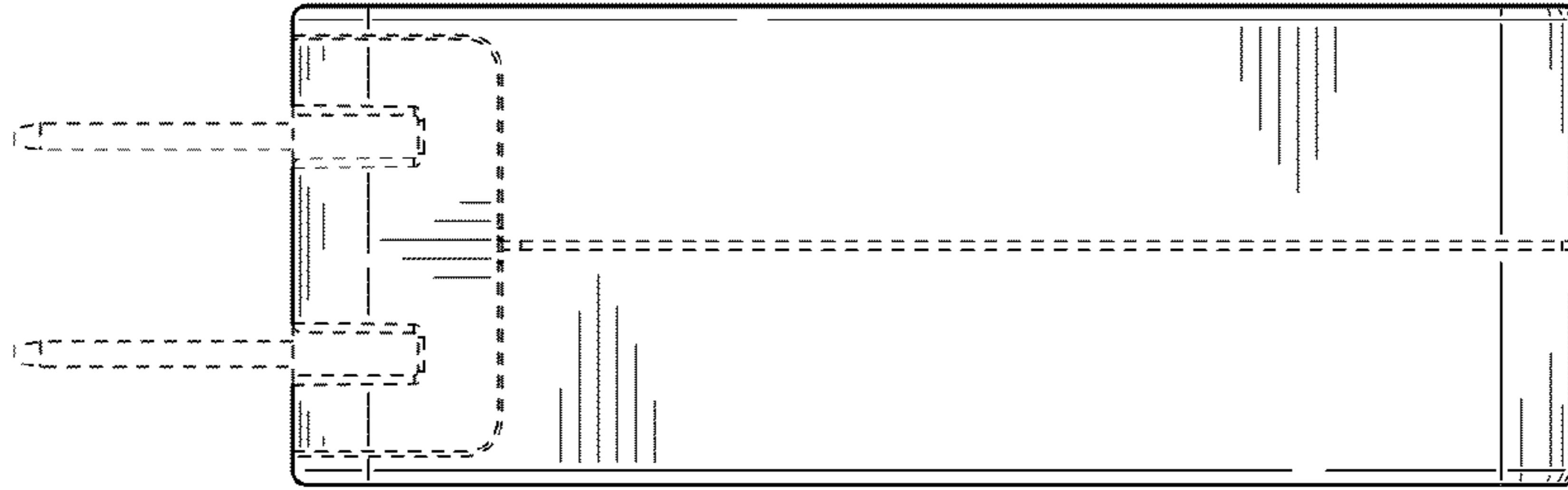


FIG. 12

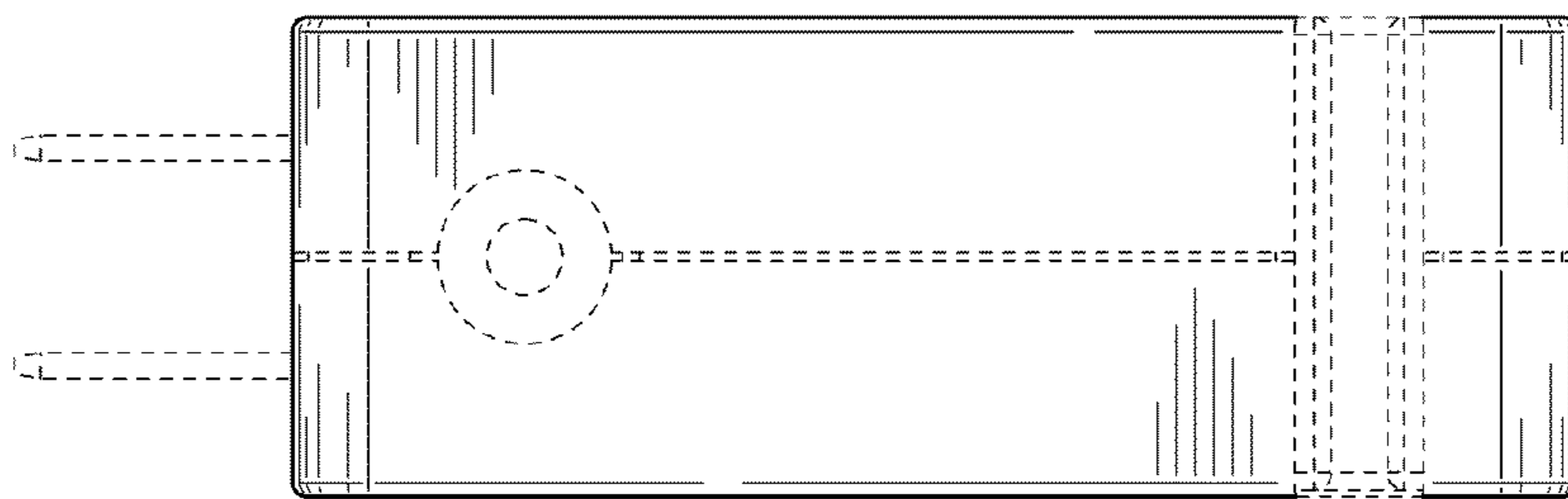


FIG. 13

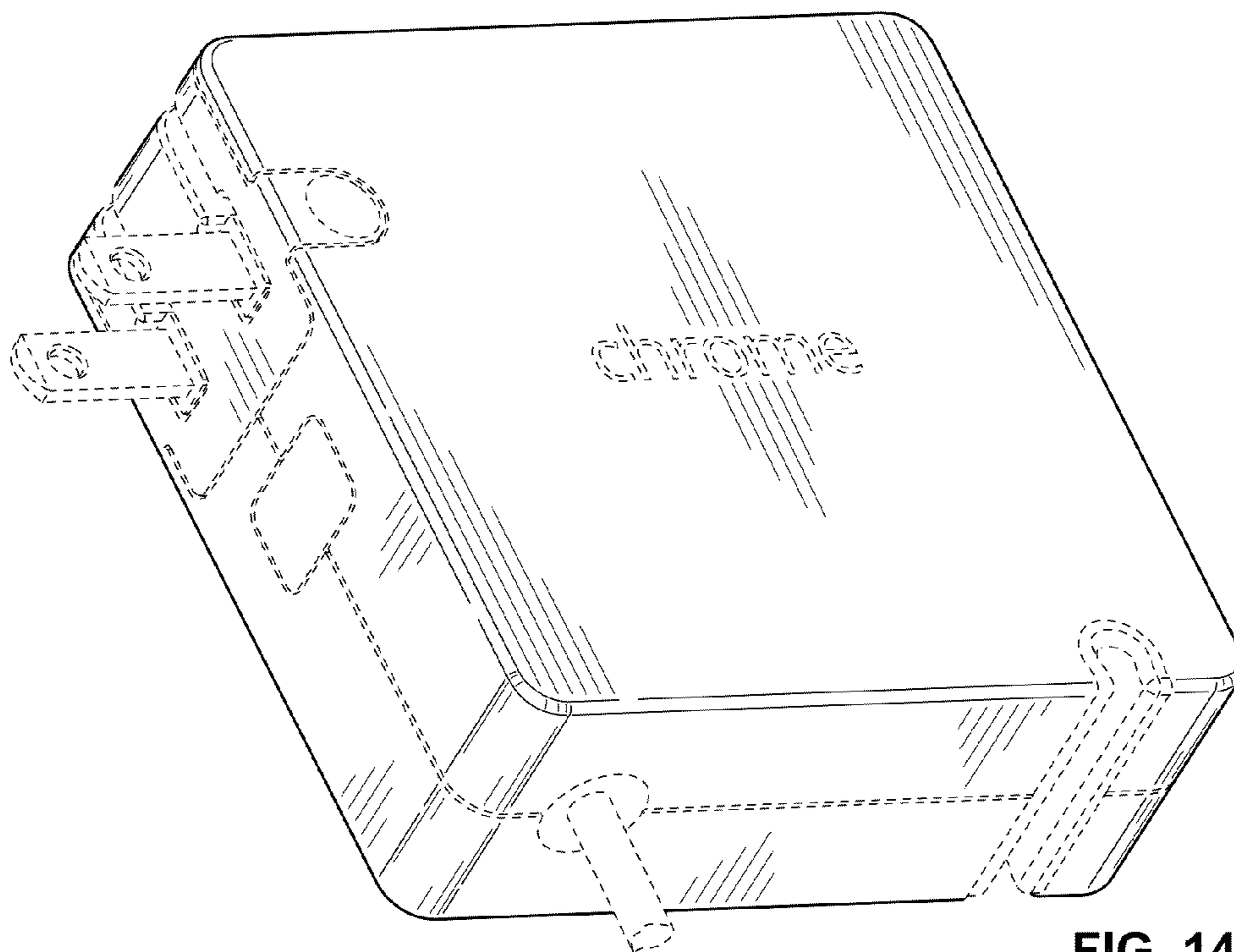


FIG. 14