



US00D711823S

(12) **United States Design Patent**
Akana et al.

(10) **Patent No.:** **US D711,823 S**
(45) **Date of Patent:** **** Aug. 26, 2014**

(54) **POWER MODULE**

439/171–173, 218, 518, 692, 956;
D14/240, 251, 253, 432, 433, 434

(75) Inventors: **Jody Akana**, San Francisco, CA (US);
Bartley K. Andre, Palo Alto, CA (US);
Shota Aoyagi, San Francisco, CA (US);
Jeremy Bataillou, San Francisco, CA
(US); **Daniel J. Coster**, San Francisco,
CA (US); **Daniele De Iuliis**, San
Francisco, CA (US); **M. Evans Hankey**,
San Francisco, CA (US); **Julian Hoenig**,
San Francisco, CA (US); **Richard P.**
Howarth, San Francisco, CA (US);
Jonathan P. Ive, San Francisco, CA
(US); **Duncan Robert Kerr**, San
Francisco, CA (US); **Matthew Dean**
Rohrbach, San Francisco, CA (US);
Peter Russell-Clarke, San Francisco,
CA (US); **Mikael Silvanto**, San
Francisco, CA (US); **Christopher J.**
Stringer, Woodside, CA (US); **Eugene**
Antony Whang, San Francisco, CA
(US); **Rico Zörkendörfer**, San
Francisco, CA (US)

See application file for complete search history.

(56) **References Cited**

U.S. PATENT DOCUMENTS

D375,080 S 10/1996 Sandor et al.
D583,316 S * 12/2008 Sade et al. D13/108
D587,192 S 2/2009 McGinley et al.
D595,223 S 6/2009 Yamamoto et al.
D595,224 S * 6/2009 Seil et al. D13/110

(Continued)

OTHER PUBLICATIONS

Co-pending U.S. Appl. No. 29/427,839, Inventors Andre et al., filed
Jan. 23, 2012 (Not Published).

Primary Examiner — Derrick Holland

(74) *Attorney, Agent, or Firm* — Sterne, Kessler, Goldstein
& Fox P.L.L.C.

(57) **CLAIM**

The ornamental design for a power module, as shown and
described.

DESCRIPTION

FIG. 1 is a bottom perspective view of a power module show-
ing our new design;

FIG. 2 is a top perspective view thereof;

FIG. 3 is a front view thereof, the rear view being a mirror
image thereof;

FIG. 4 is a side view thereof;

FIG. 5 is another side view thereof;

FIG. 6 is a top plan view thereof; and,

FIG. 7 is a bottom plan view thereof.

The broken lines in the figures show portions of the power
module that form no part of the claimed design.

The shade lines in the Figures show contour and not surface
ornamentation.

1 Claim, 4 Drawing Sheets

(73) Assignee: **Apple Inc.**, Cupertino, CA (US)

(**) Term: **14 Years**

(21) Appl. No.: **29/431,871**

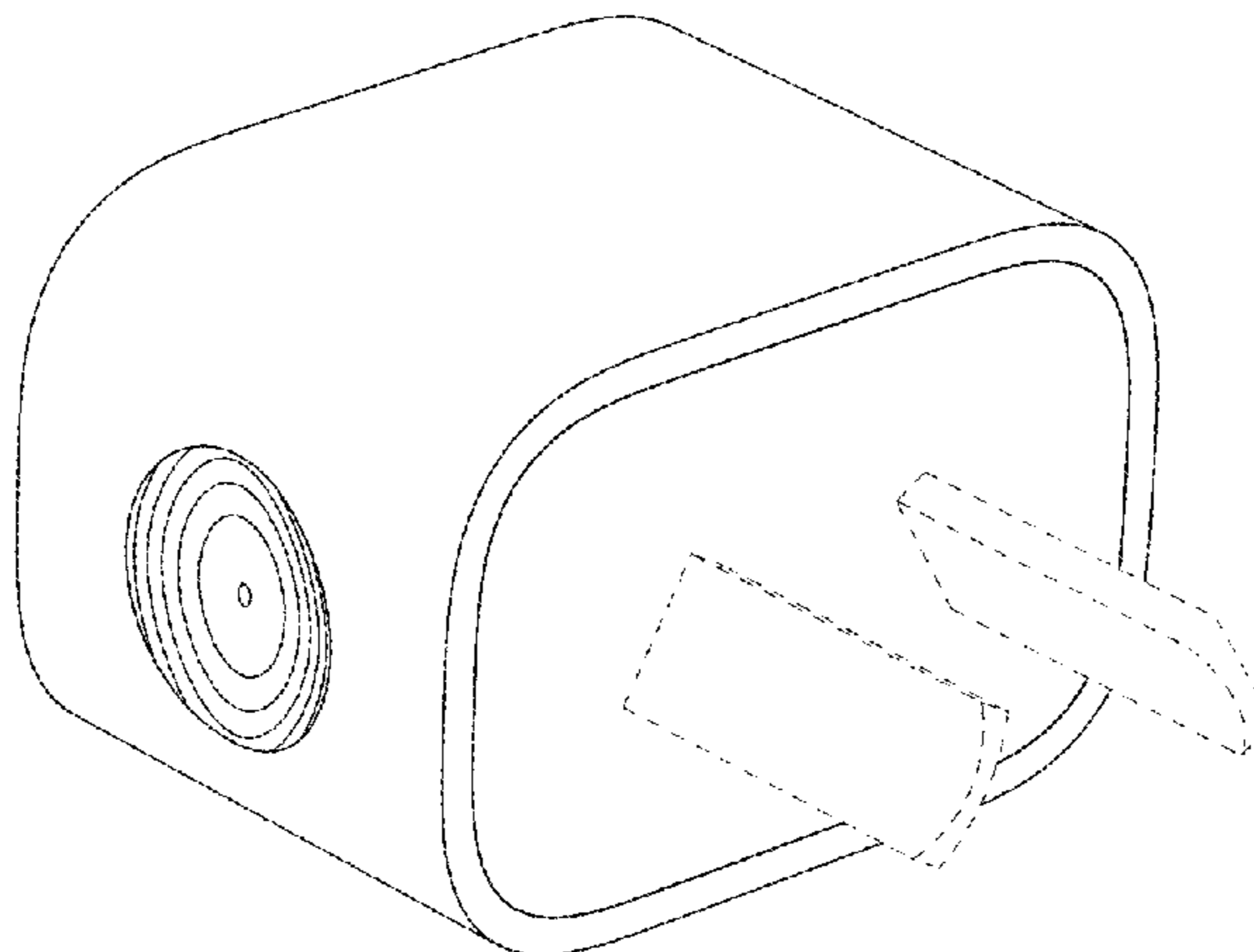
(22) Filed: **Sep. 11, 2012**

(51) **LOC (10) Cl.** **13-02**

(52) **U.S. Cl.**
USPC **D13/110**

(58) **Field of Classification Search**

CPC H02J 7/02; H02J 7/022; H02J 7/0042;
H01R 25/00; H01R 25/003; H01R 13/44;
H01R 27/00; Y02E 60/12
USPC D13/110, 107, 108, 123, 133, 137.1,
D13/138.1, 199; 174/53, 54, 59, 61;
307/150, 151; 320/111, 114; 363/132,
363/140, 142, 143, 146; 439/105, 131, 166,



(56)

References Cited

U.S. PATENT DOCUMENTS

D601,500 S 10/2009 Green et al.
D601,501 S 10/2009 Kaibara et al.
D602,430 S * 10/2009 Green et al. D13/110
D611,409 S * 3/2010 Green et al. D13/110
D623,136 S 9/2010 Andre et al.

D643,807 S 8/2011 Jiang
8,057,265 B2 * 11/2011 Youssefi-Shams et al. ... 439/655
D653,615 S * 2/2012 Au D13/108
8,113,855 B2 2/2012 Green et al.
D655,244 S * 3/2012 Au D13/108
2009/0289596 A1 11/2009 McGinley et al.
2010/0117597 A1 * 5/2010 Wang 320/111

* cited by examiner

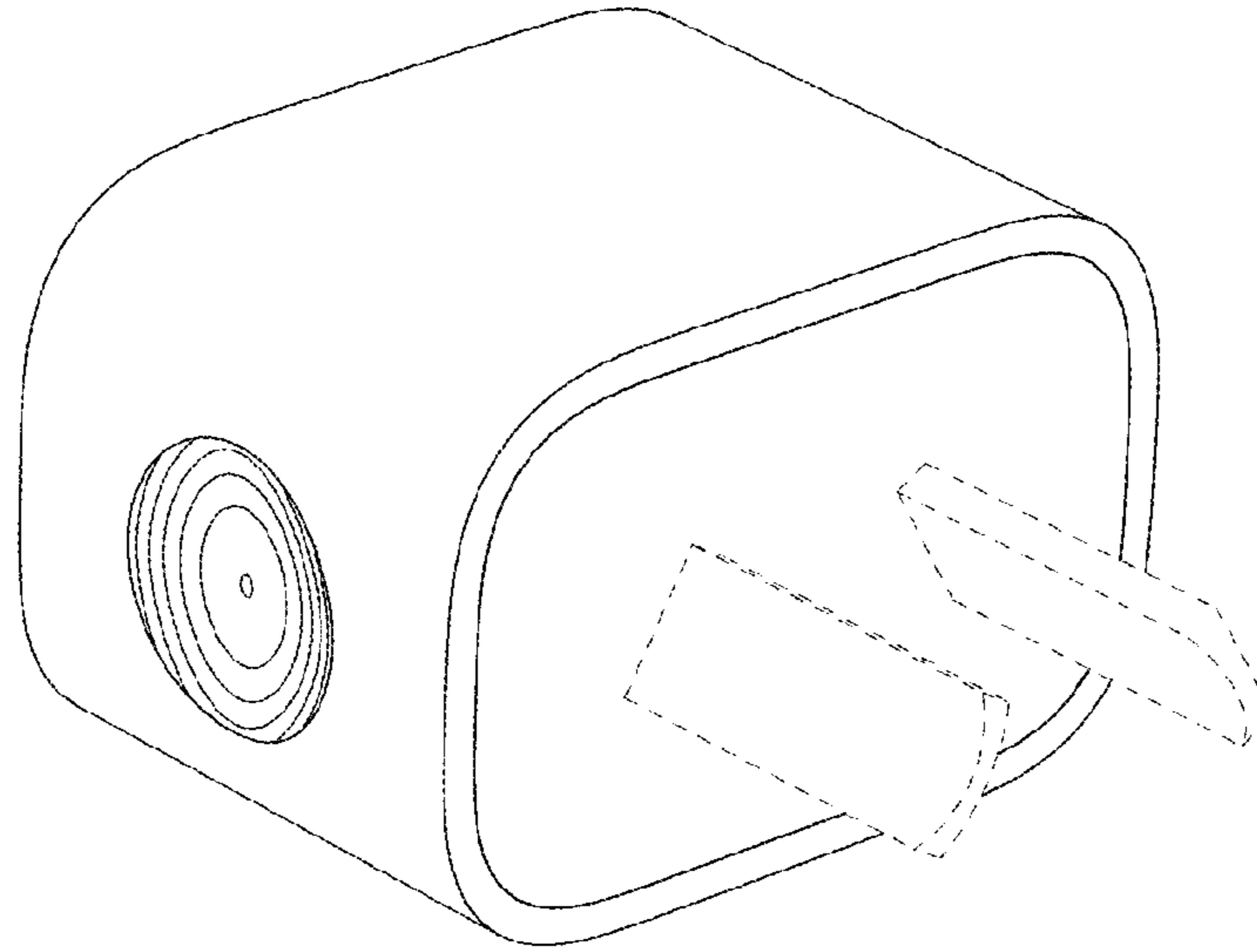


FIG. 1

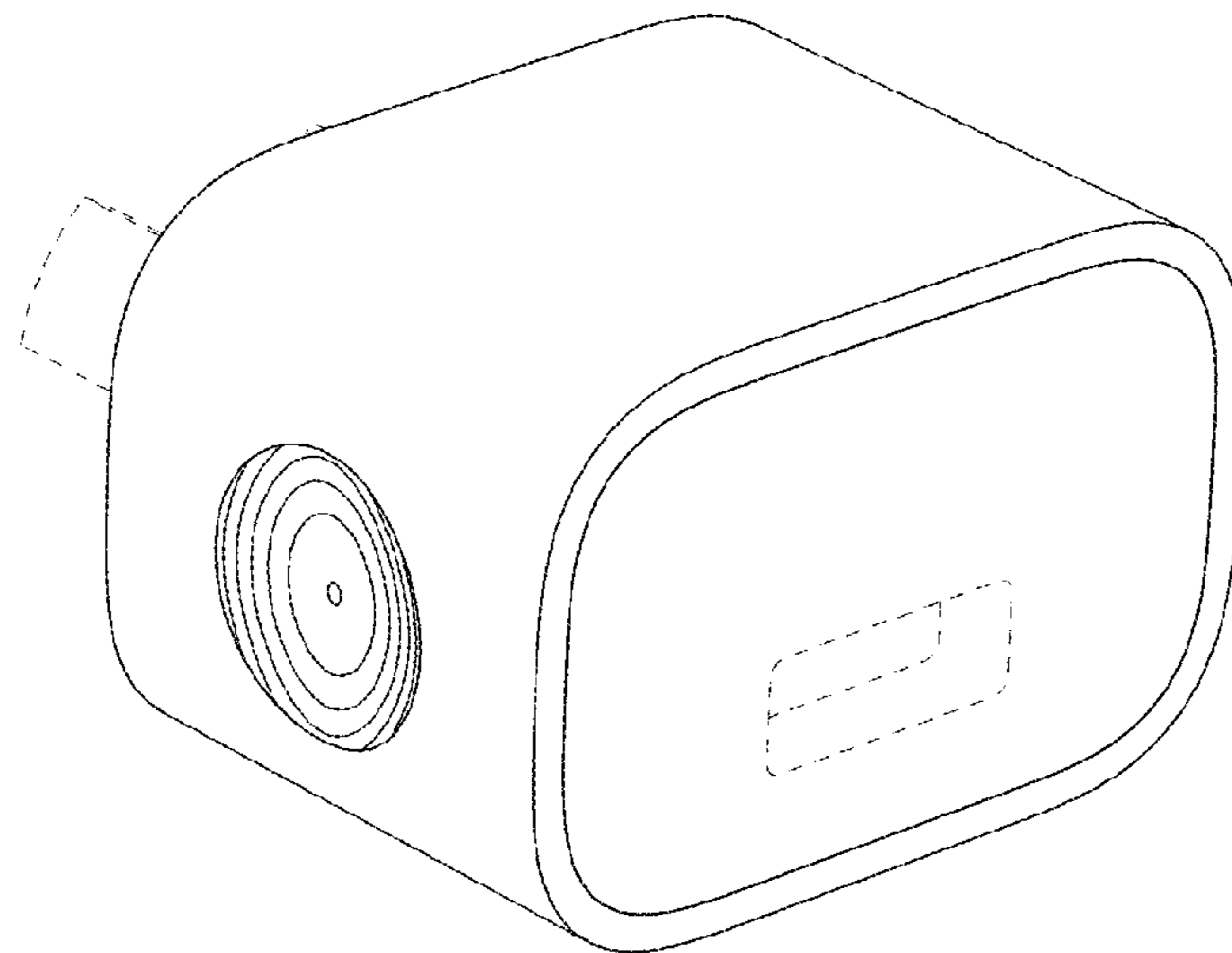


FIG. 2

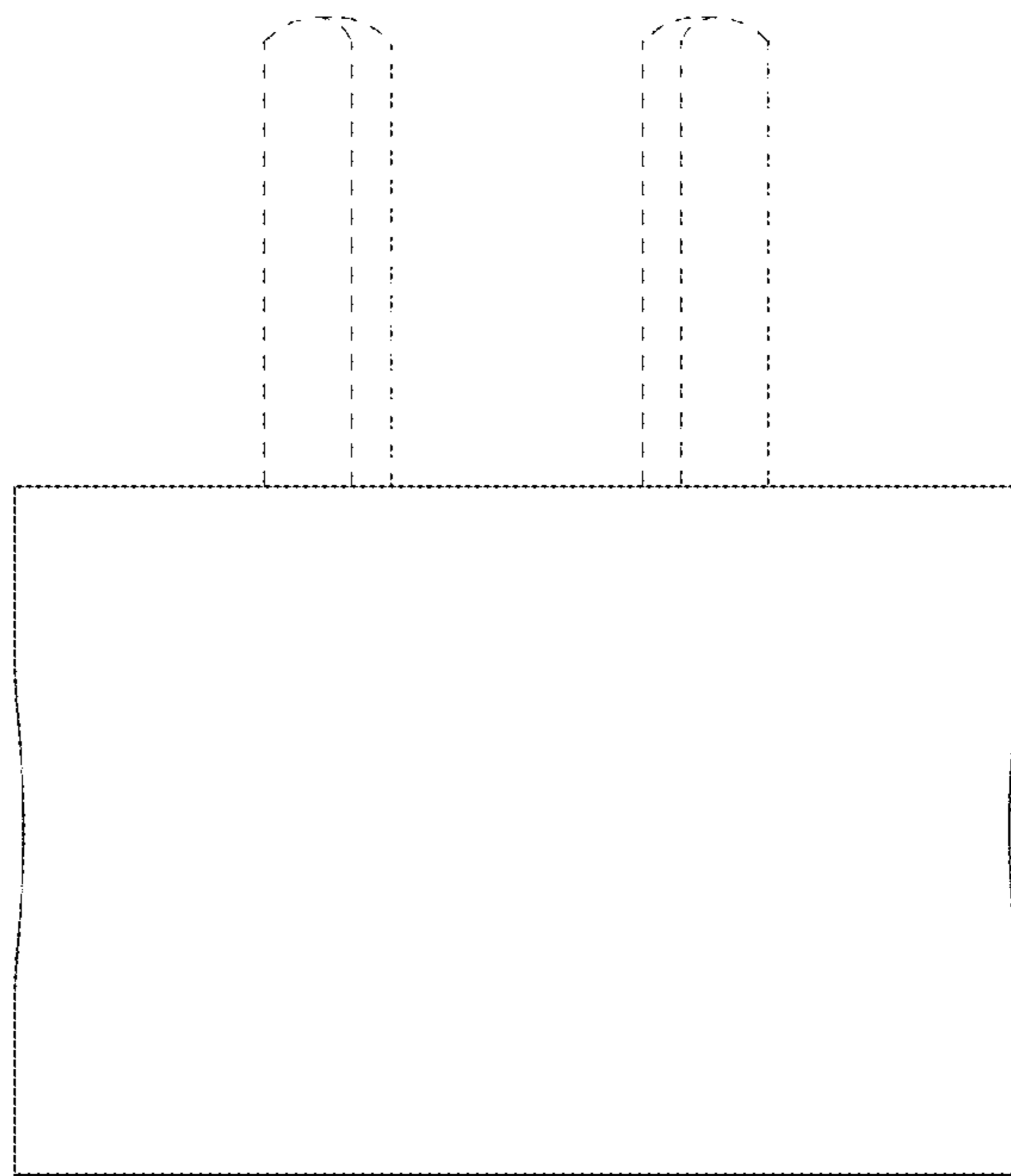


FIG. 3

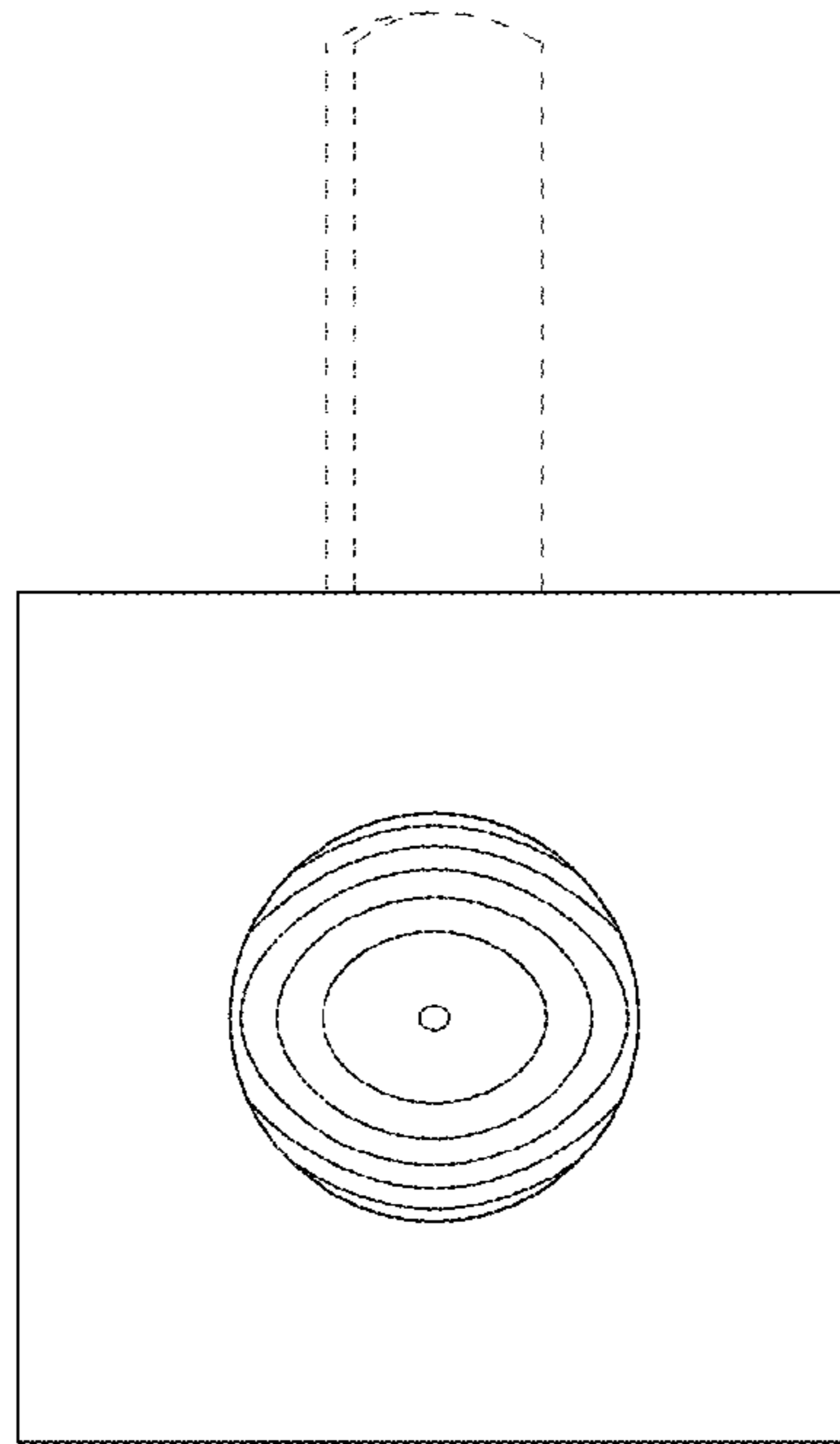


FIG. 4

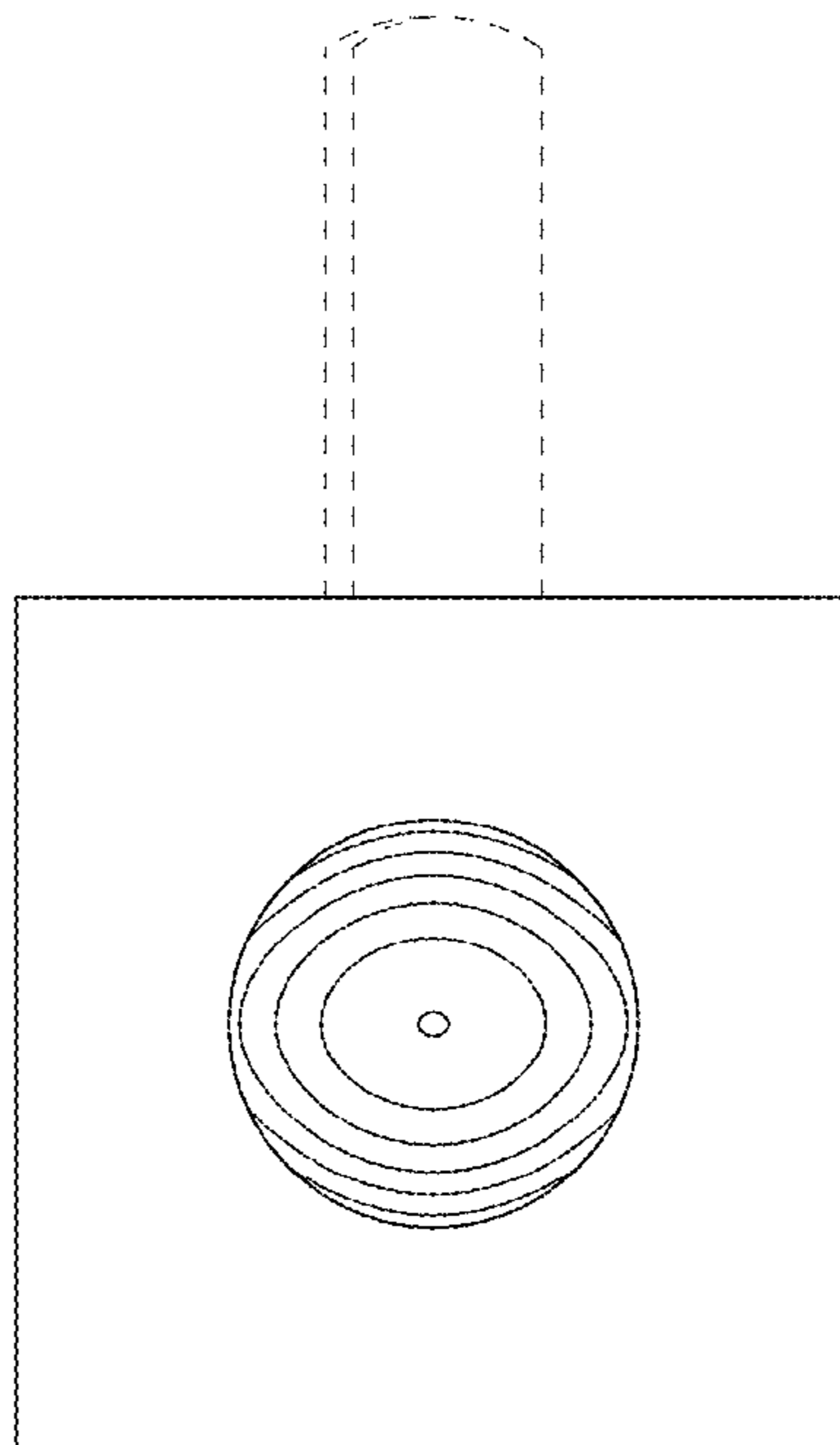


FIG. 5

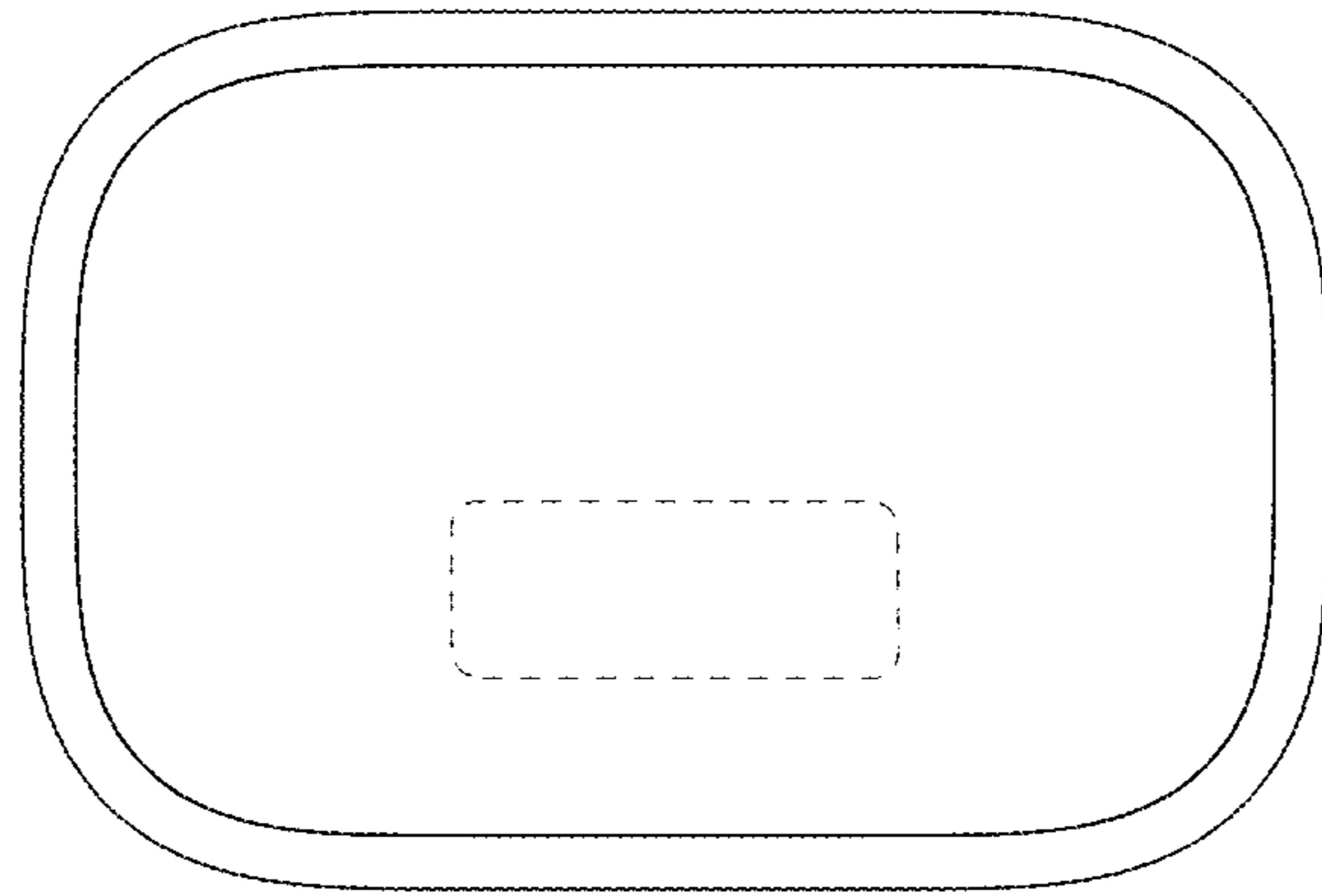


FIG. 6

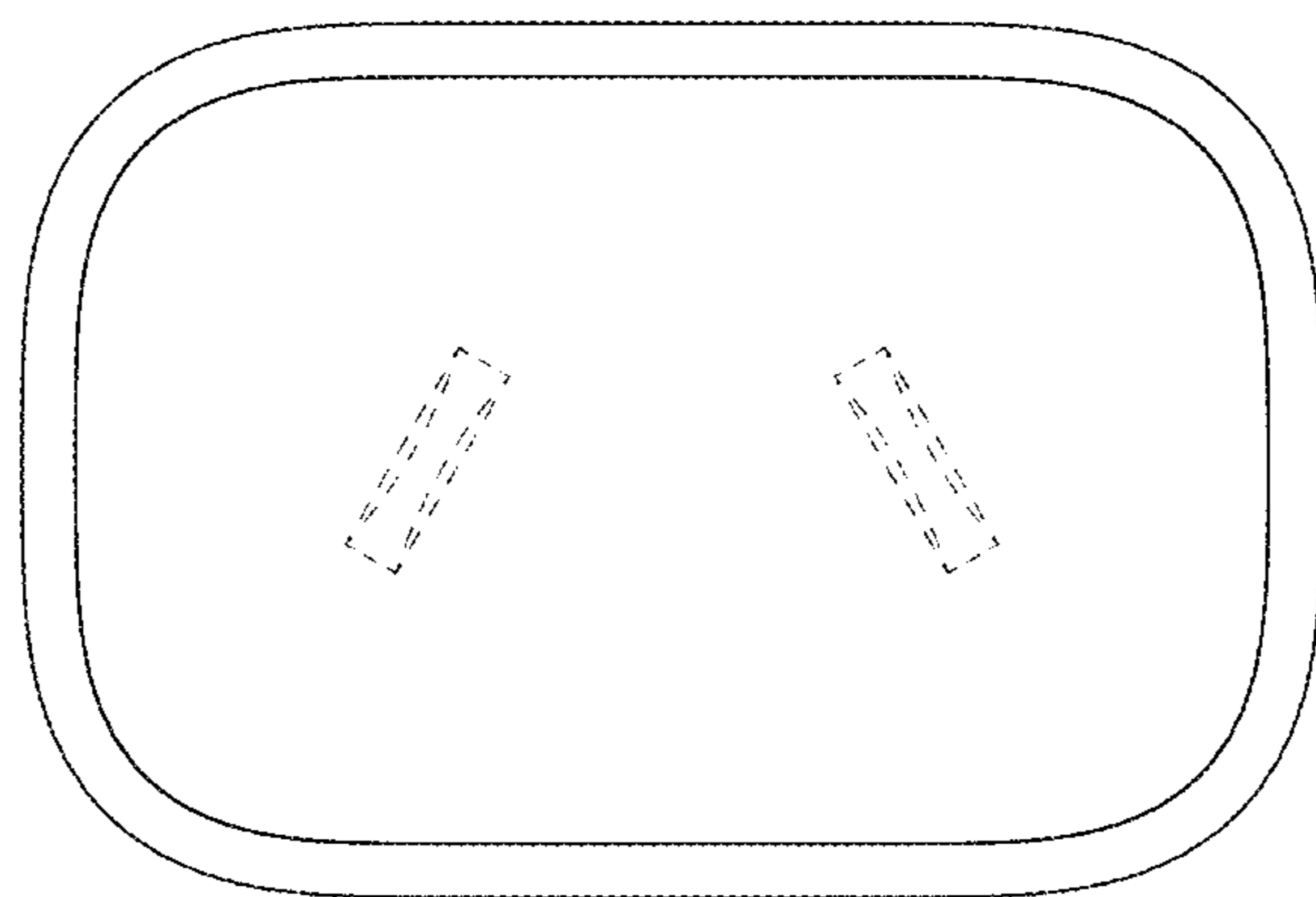


FIG. 7