



US00D711822S

(12) **United States Design Patent**  
**Emano**

(10) **Patent No.:** **US D711,822 S**

(45) **Date of Patent:** **\*\* Aug. 26, 2014**

(54) **PORTABLE RECHARGEABLE DEVICE CHARGER**

(71) Applicant: **Bernard Emano**, Plantation, FL (US)

(72) Inventor: **Bernard Emano**, Plantation, FL (US)

(\*\*) Term: **14 Years**

(21) Appl. No.: **29/481,119**

(22) Filed: **Jan. 31, 2014**

(51) **LOC (10) Cl.** ..... **13-02**

(52) **U.S. Cl.**  
USPC ..... **D13/108**

(58) **Field of Classification Search**  
USPC ..... D13/102–110, 118–119, 133, 146, 147,  
D13/154, 184, 199; D14/356, 432, 480.1,  
D14/480.3–480.7; 320/103, 107–115, 135,  
320/138, 140; 429/96–100, 156, 163, 176,  
429/122

See application file for complete search history.

(56) **References Cited**

**U.S. PATENT DOCUMENTS**

D460,041	S	*	7/2002	Tsay et al.	.....	D13/107
D493,175	S	*	7/2004	Schmidt et al.	.....	D14/433
D524,038	S	*	7/2006	Leung	.....	D3/208
D574,326	S	*	8/2008	Lim	.....	D13/118
D587,206	S	*	2/2009	Wu et al.	.....	D13/146
D623,399	S	*	9/2010	McSweyn	.....	D3/208
D634,269	S	*	3/2011	Griffin, Jr.	.....	D13/108
D636,725	S	*	4/2011	Levy et al.	.....	D13/108
D645,049	S	*	9/2011	Faranda et al.	.....	D14/480.5
D645,050	S	*	9/2011	Faranda et al.	.....	D14/480.5
D652,379	S	*	1/2012	Vandiver	.....	D13/108
D653,207	S	*	1/2012	Vandiver	.....	D13/108
D656,096	S	*	3/2012	Sasada et al.	.....	D13/108
D659,094	S	*	5/2012	Brand et al.	.....	D13/108
D659,638	S	*	5/2012	Wang	.....	D13/108
D671,951	S	*	12/2012	Lin	.....	D14/480.5
D673,111	S	*	12/2012	Lo et al.	.....	D13/108
D675,156	S	*	1/2013	Vandiver et al.	.....	D13/108
D685,732	S	*	7/2013	Miller et al.	.....	D13/108
D686,987	S	*	7/2013	Vanstone et al.	.....	D13/108
D689,433	S	*	9/2013	Wang	.....	D13/110

D697,867	S	*	1/2014	Weinstein et al.	.....	D13/108
D704,629	S	*	5/2014	Liu	.....	D13/108
2013/0193911	A1	*	8/2013	Miller et al.	.....	320/107
2014/0042969	A1	*	2/2014	Miller et al.	.....	320/111

\* cited by examiner

*Primary Examiner* — Rosemary K Tarcza

(74) *Attorney, Agent, or Firm* — Nancy J. Flint, Esq.; Nancy J. Flint, Attorney at Law, P.A.

(57) **CLAIM**

The ornamental design for a portable rechargeable device charger, as shown and described.

**DESCRIPTION**

FIG. 1 is a front perspective view of a first embodiment of a portable rechargeable device charger with the caps off the connectors showing my new design;

FIG. 2 is a right side view of a first embodiment of a portable rechargeable device charger with the caps off the connectors;

FIG. 3 is a top view of a first embodiment of a portable rechargeable device charger with the caps off the connectors;

FIG. 4 is a left side view of a first embodiment of a portable rechargeable device charger with the caps off the connectors;

FIG. 5 is a bottom view of a first embodiment of a portable rechargeable device charger with the caps off the connectors;

FIG. 6 is a front view of a first embodiment of a portable rechargeable device charger with the caps off the connectors;

FIG. 7 is a back view of a first embodiment of a portable rechargeable device charger with the caps off the connectors;

FIG. 8 is a perspective view of a first embodiment of a portable rechargeable device charger with the caps off the connectors as attached to a cell phone;

FIG. 9 is a front perspective view of a first embodiment of a portable rechargeable device charger with the caps on the connectors showing my new design;

FIG. 10 is a top view of a first embodiment of a portable rechargeable device charger with the caps on the connectors;

FIG. 11 is a right side view of a first embodiment of a portable rechargeable device charger with the caps on the connectors;

FIG. 12 is a left side view of a first embodiment of a portable rechargeable device charger with the caps on the connectors;

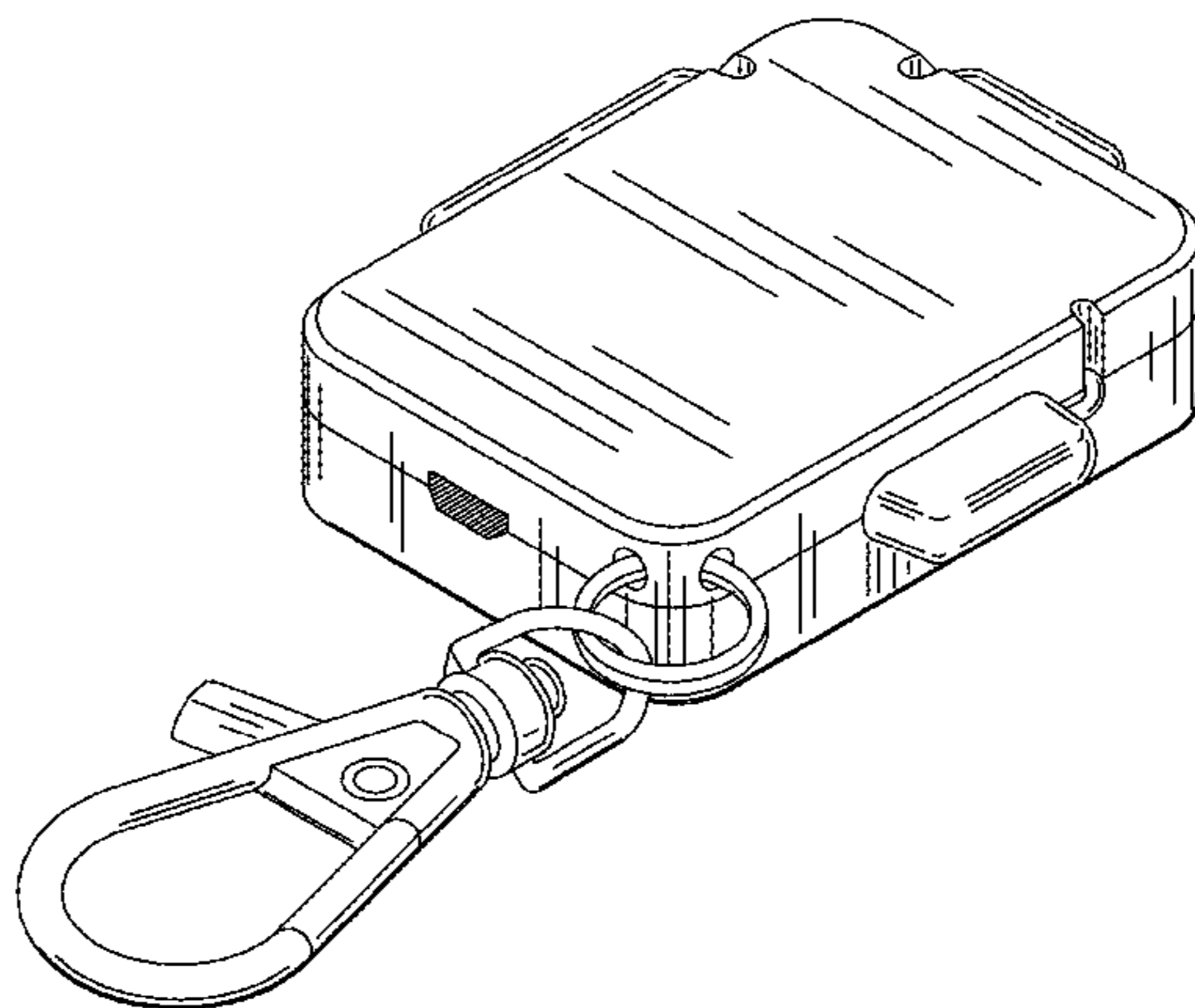
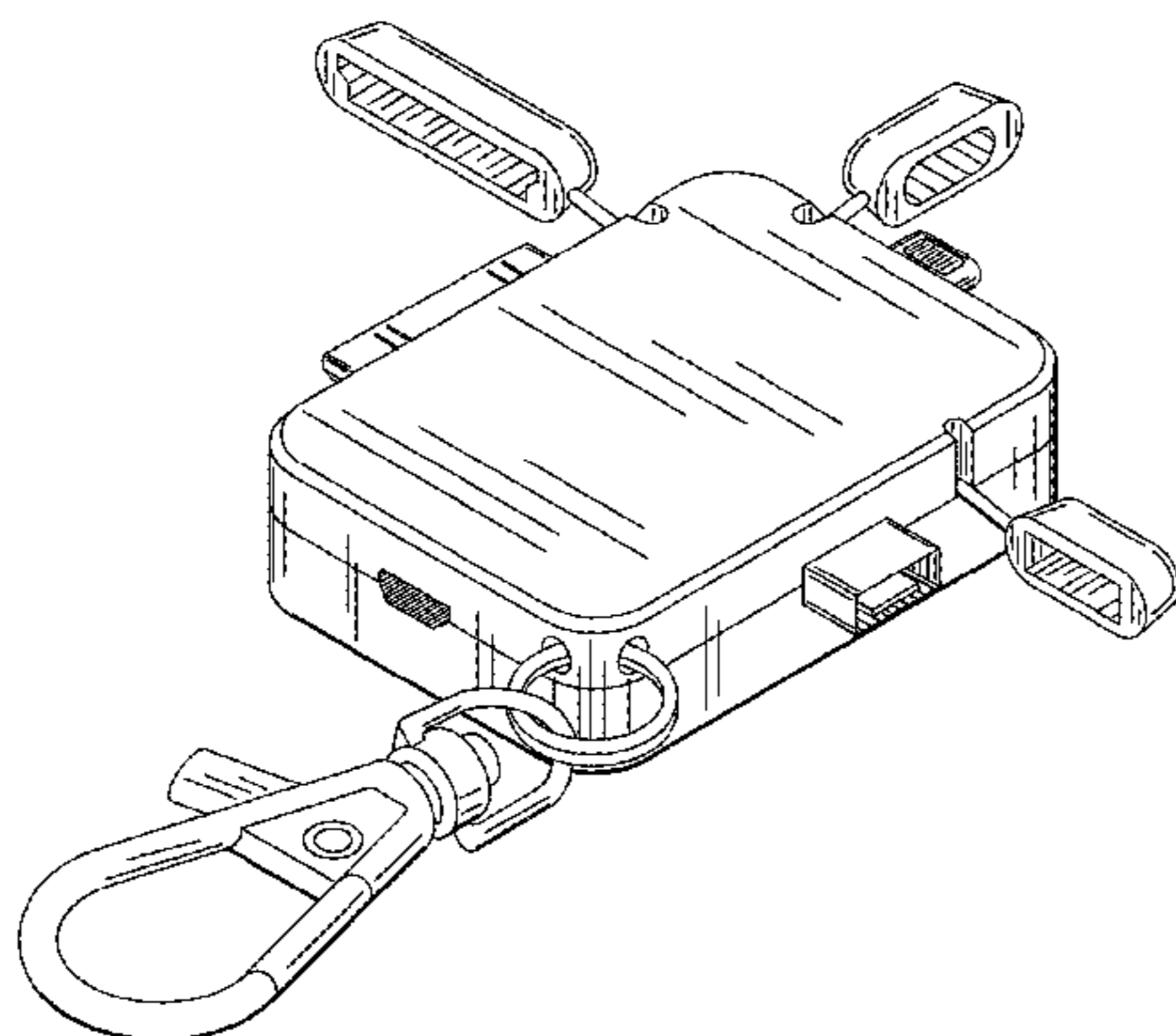


FIG. 13 is a bottom view of a first embodiment of a portable rechargeable device charger with the caps on the connectors; FIG. 14 is a front view of a first embodiment of a portable rechargeable device charger with the caps on the connectors; FIG. 15 is an end view of a first embodiment of a portable rechargeable device charger with the caps on the connectors; FIG. 16 is a perspective view of a first embodiment of a portable rechargeable device charger with the caps on the connectors as attached to a cell phone; FIG. 17 is a front perspective view of a second embodiment of a portable rechargeable device charger with the caps off the connectors showing my new design; FIG. 18 is a right side view of a second embodiment of a portable rechargeable device charger with the caps off the connectors; FIG. 19 is a top view of a second embodiment of a portable rechargeable device charger with the caps off the connectors; FIG. 20 is a left side view of a second embodiment of a portable rechargeable device charger with the caps off the connectors; FIG. 21 is a bottom view of a second embodiment of a portable rechargeable device charger with the caps off the connectors; FIG. 22 is a front view of a second embodiment of a portable rechargeable device charger with the caps off the connectors;

FIG. 23 is an end view of a second embodiment of a portable rechargeable device charger with the caps off the connectors; FIG. 24 is a front perspective view of a second embodiment of a portable rechargeable device charger with the caps on the connectors showing my new design; FIG. 25 is a top view of a second embodiment of a portable rechargeable device charger with the caps on the connectors; FIG. 26 is a right side view of a second embodiment of a portable rechargeable device charger with the caps on the connectors; FIG. 27 is a left side view of a second embodiment of a portable rechargeable device charger with the caps on the connectors; FIG. 28 is a bottom view of a second embodiment of a portable rechargeable device charger with the caps on the connectors; FIG. 29 is a front view of a second embodiment of a portable rechargeable device charger with the caps on the connectors; and, FIG. 30 is an end view of a second embodiment of a portable rechargeable device charger with the caps on the connectors. The broken lines shown in the drawings are included for the purpose of illustrating environmental structure and form no part of the claimed design.

**1 Claim, 12 Drawing Sheets**

FIG. 1

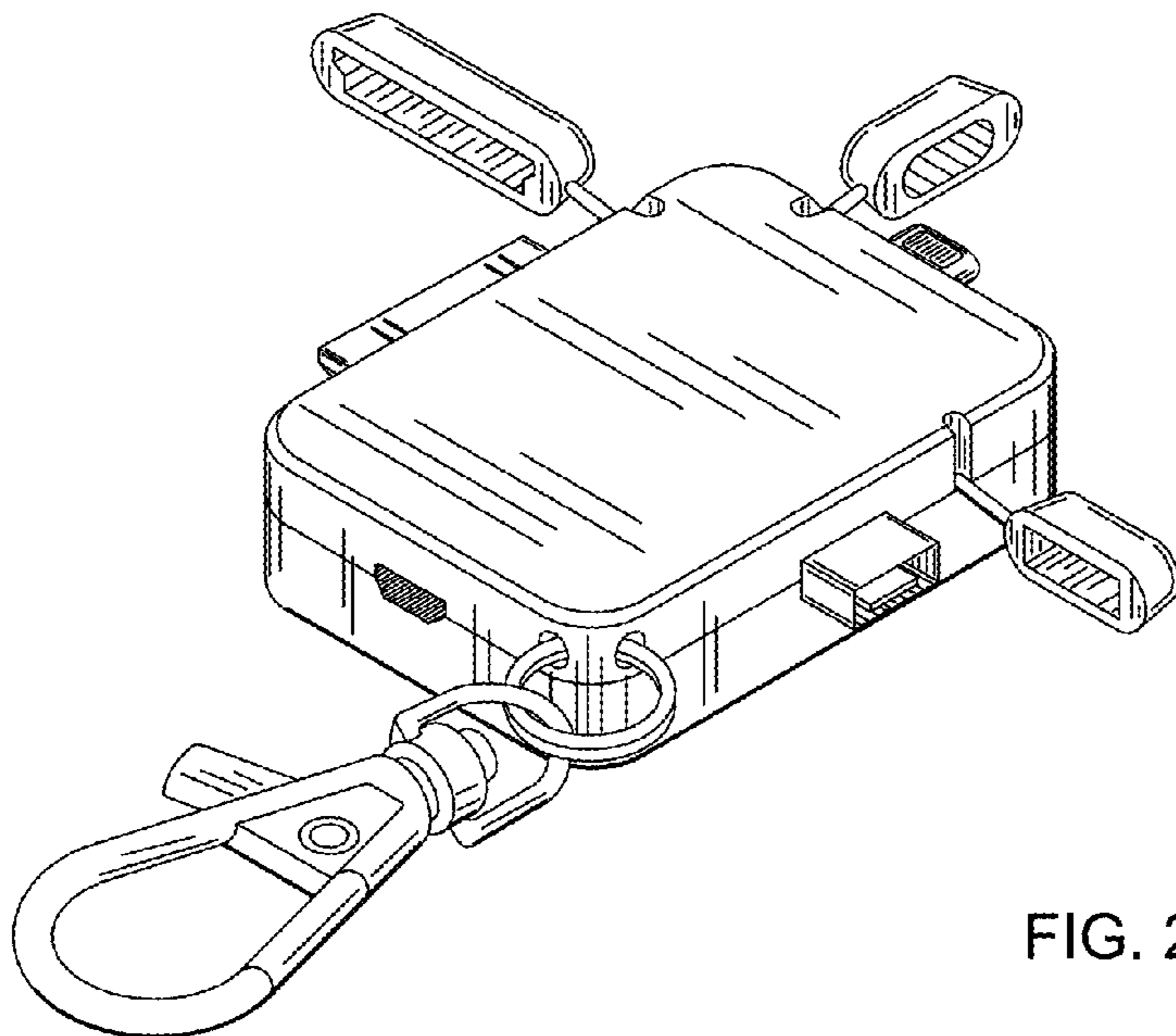


FIG. 2

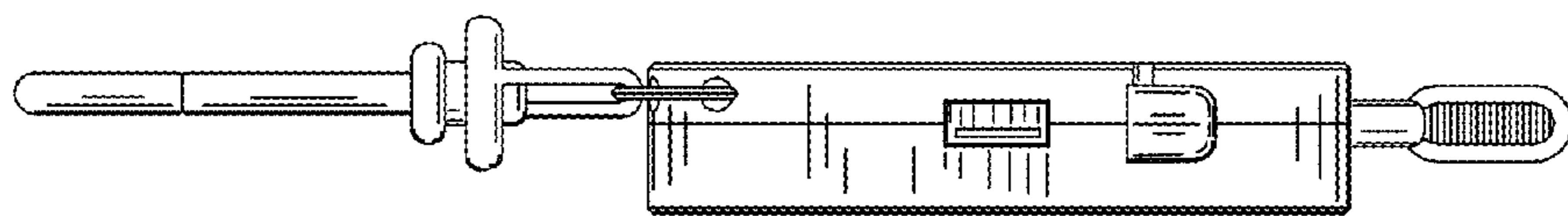


FIG. 3

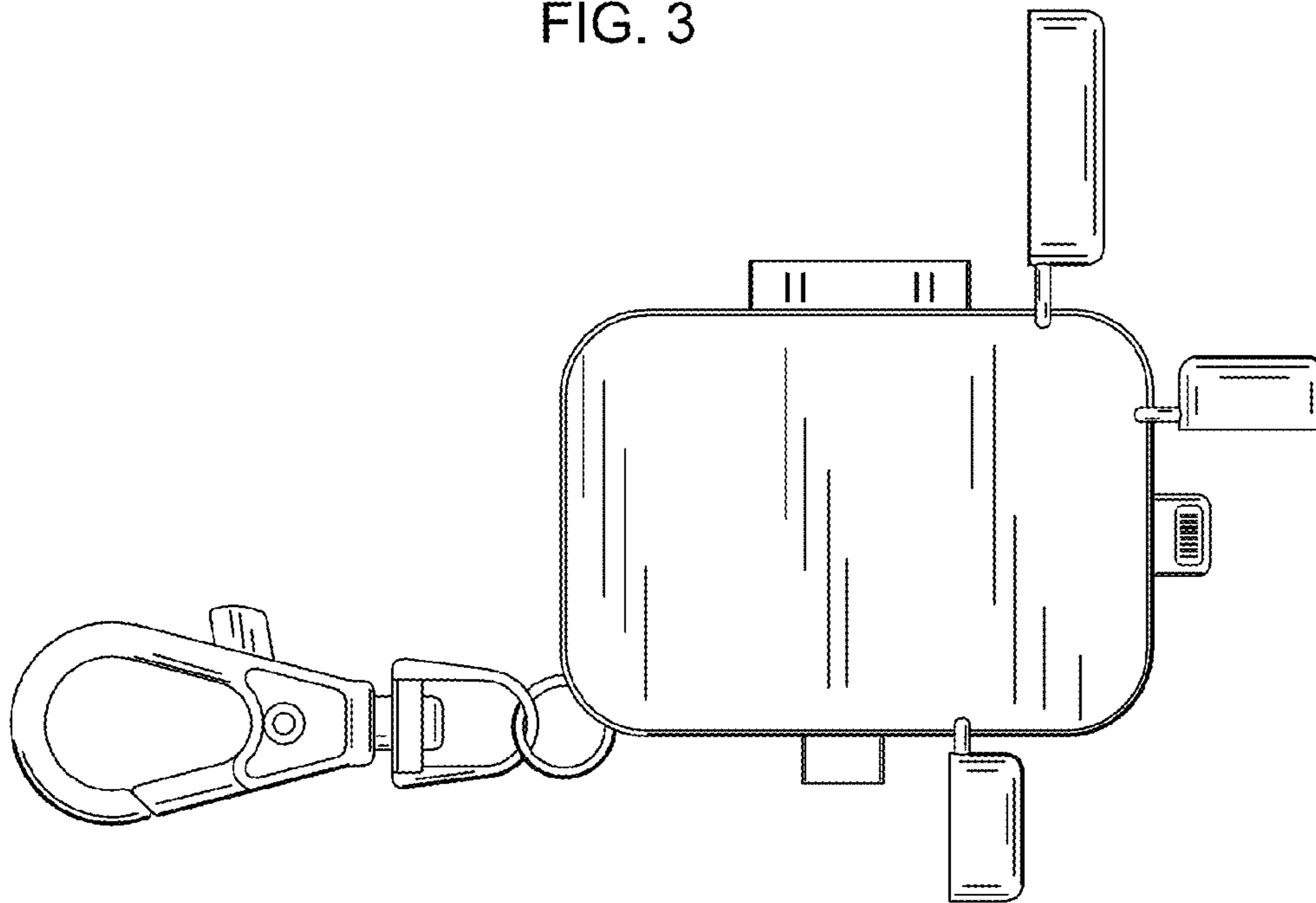
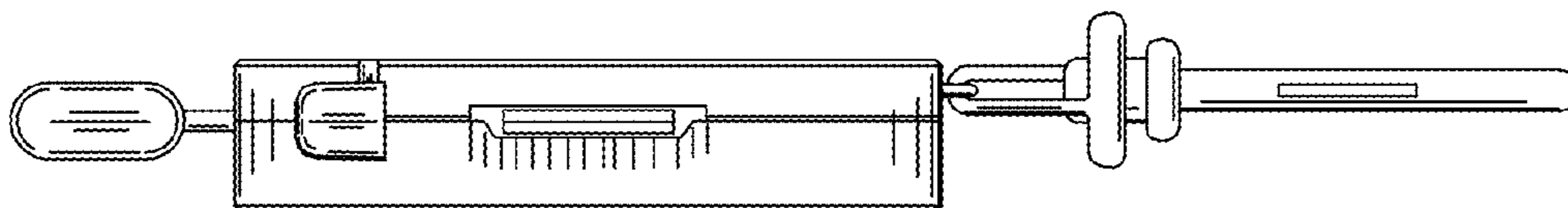


FIG. 4



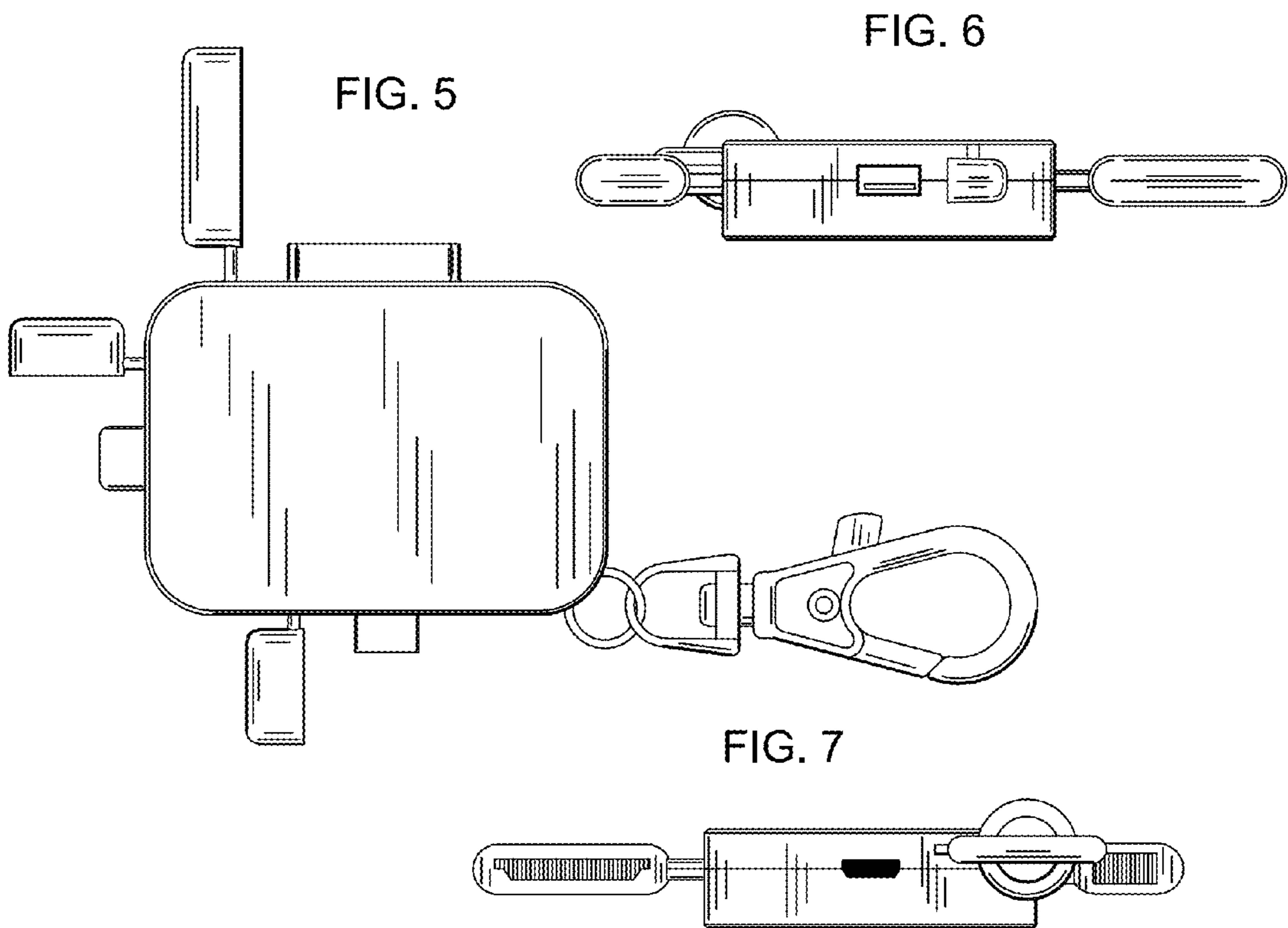


FIG. 8

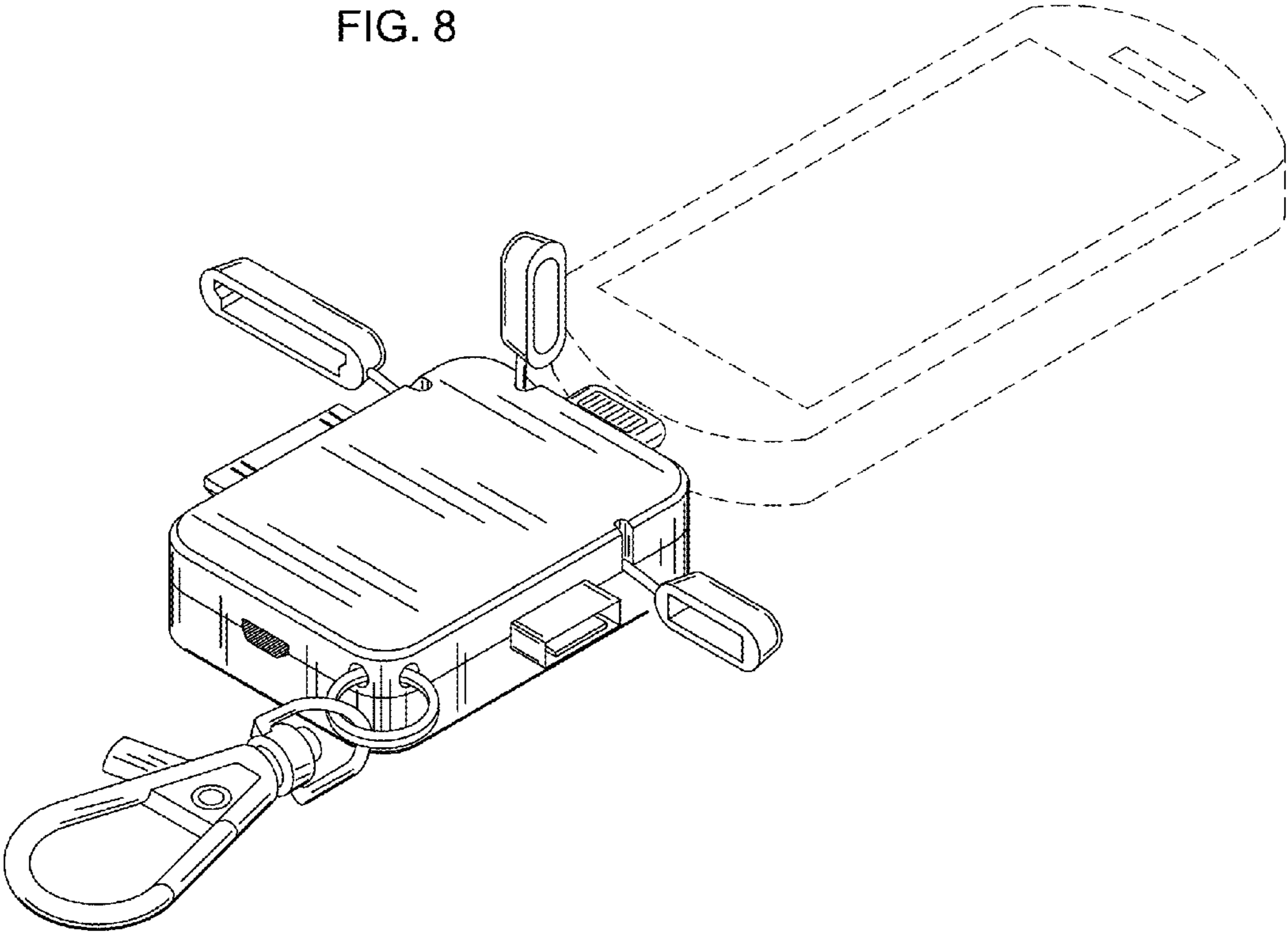


FIG. 9

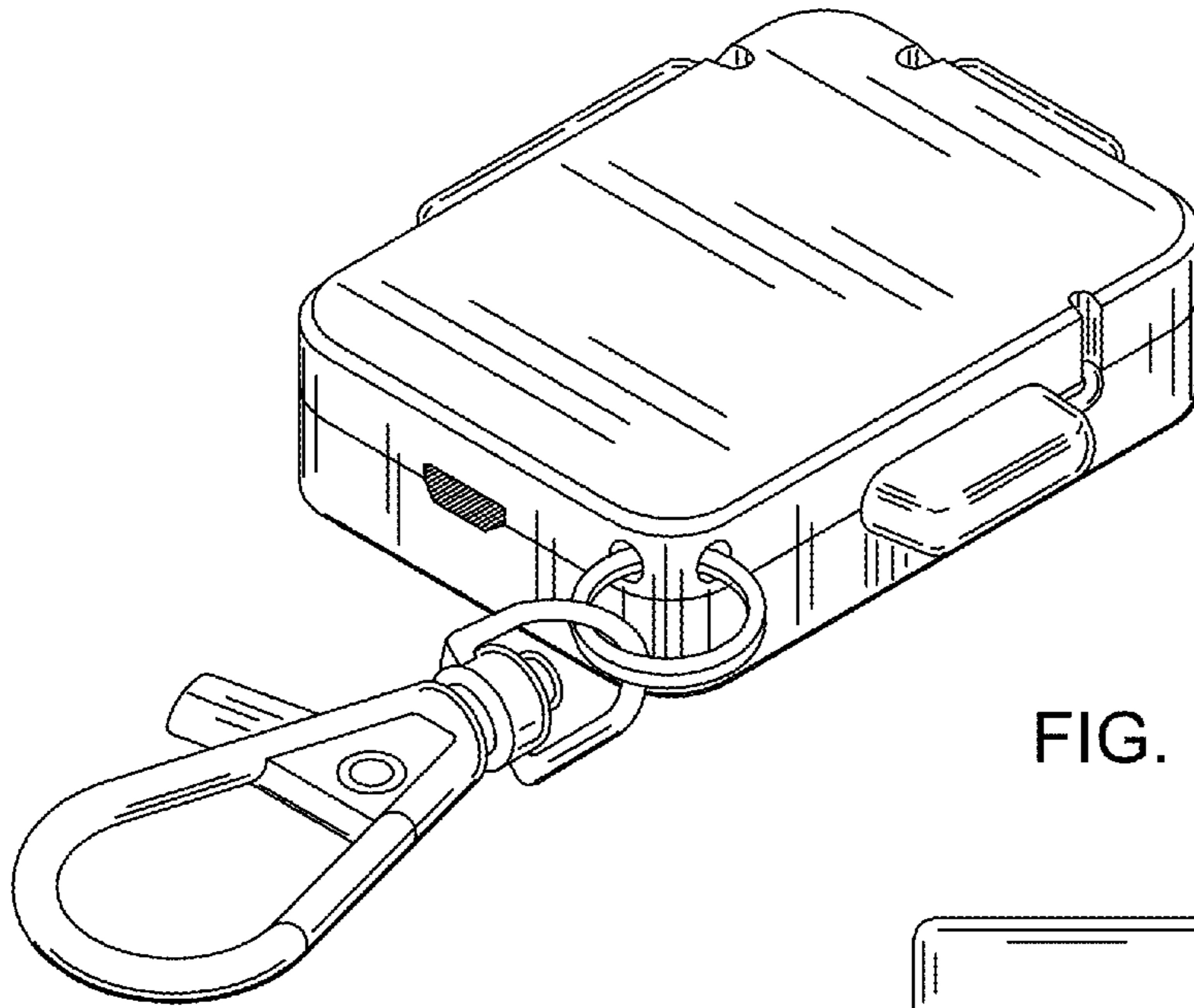


FIG. 10

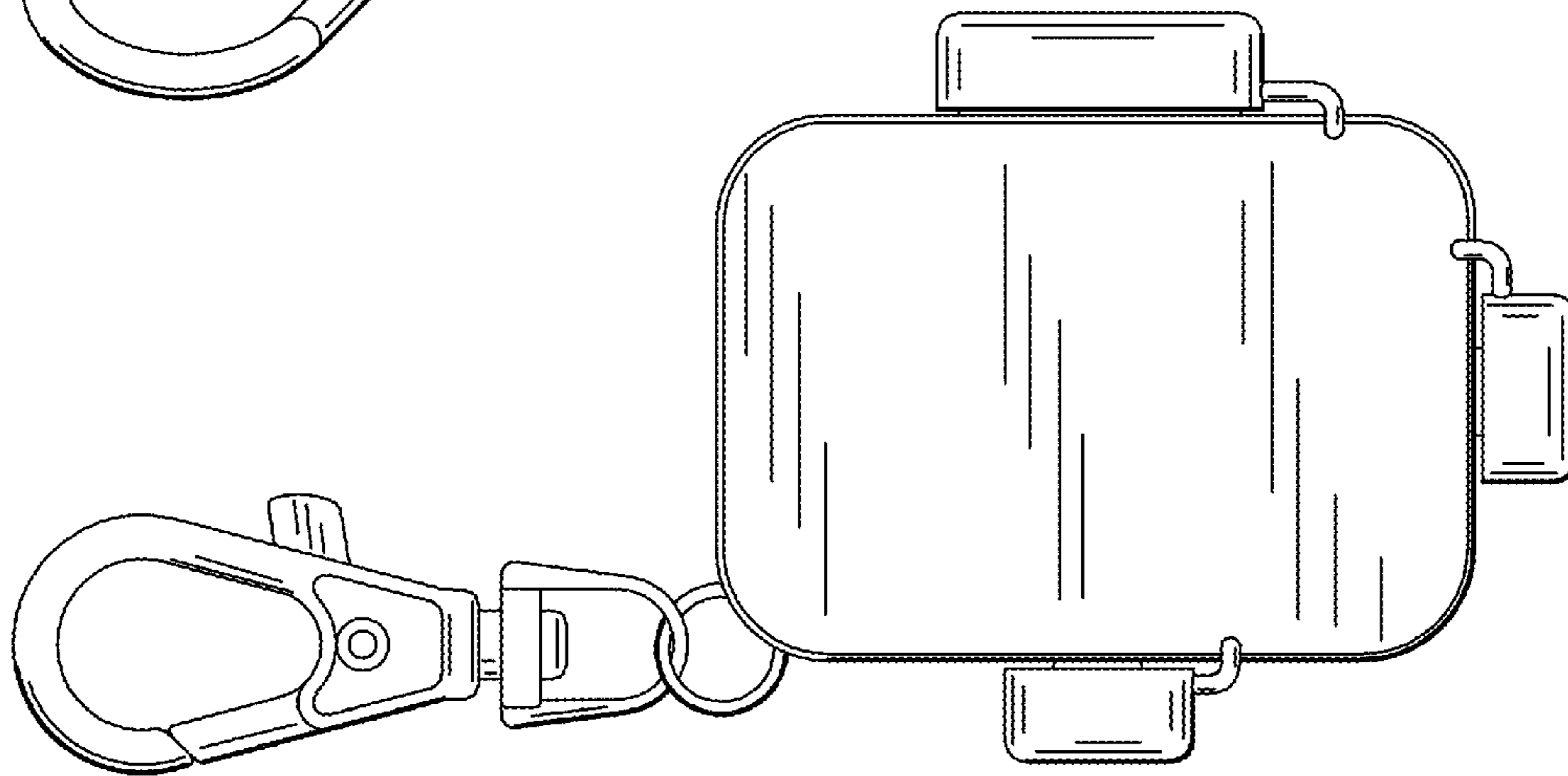


FIG. 11

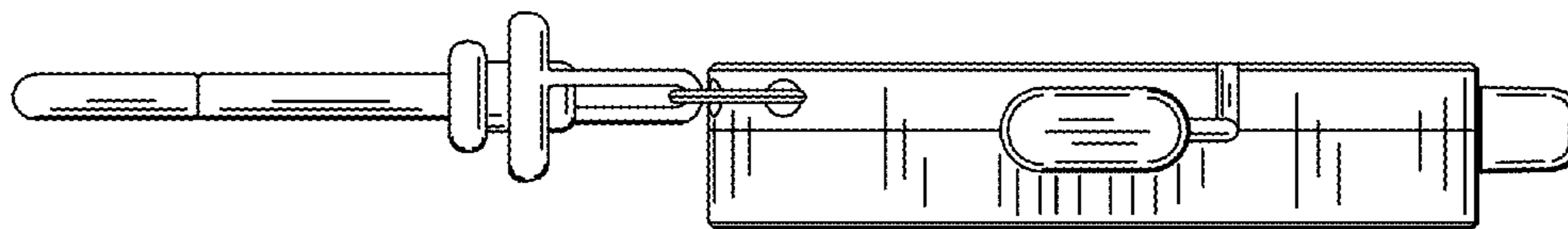


FIG. 12

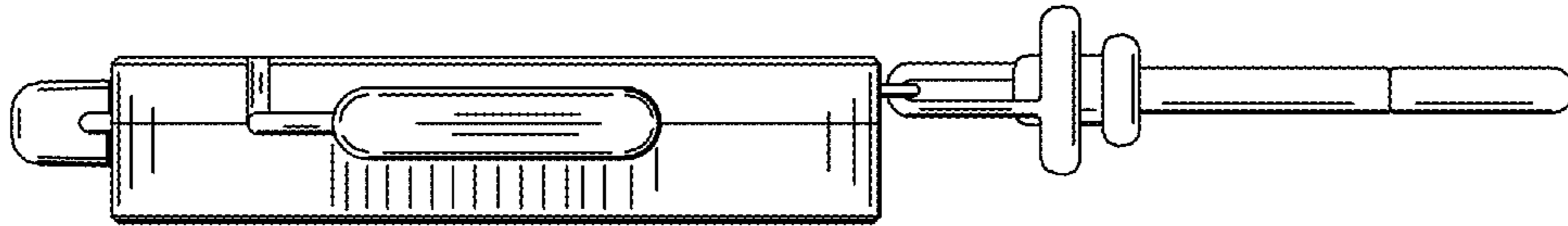


FIG. 13

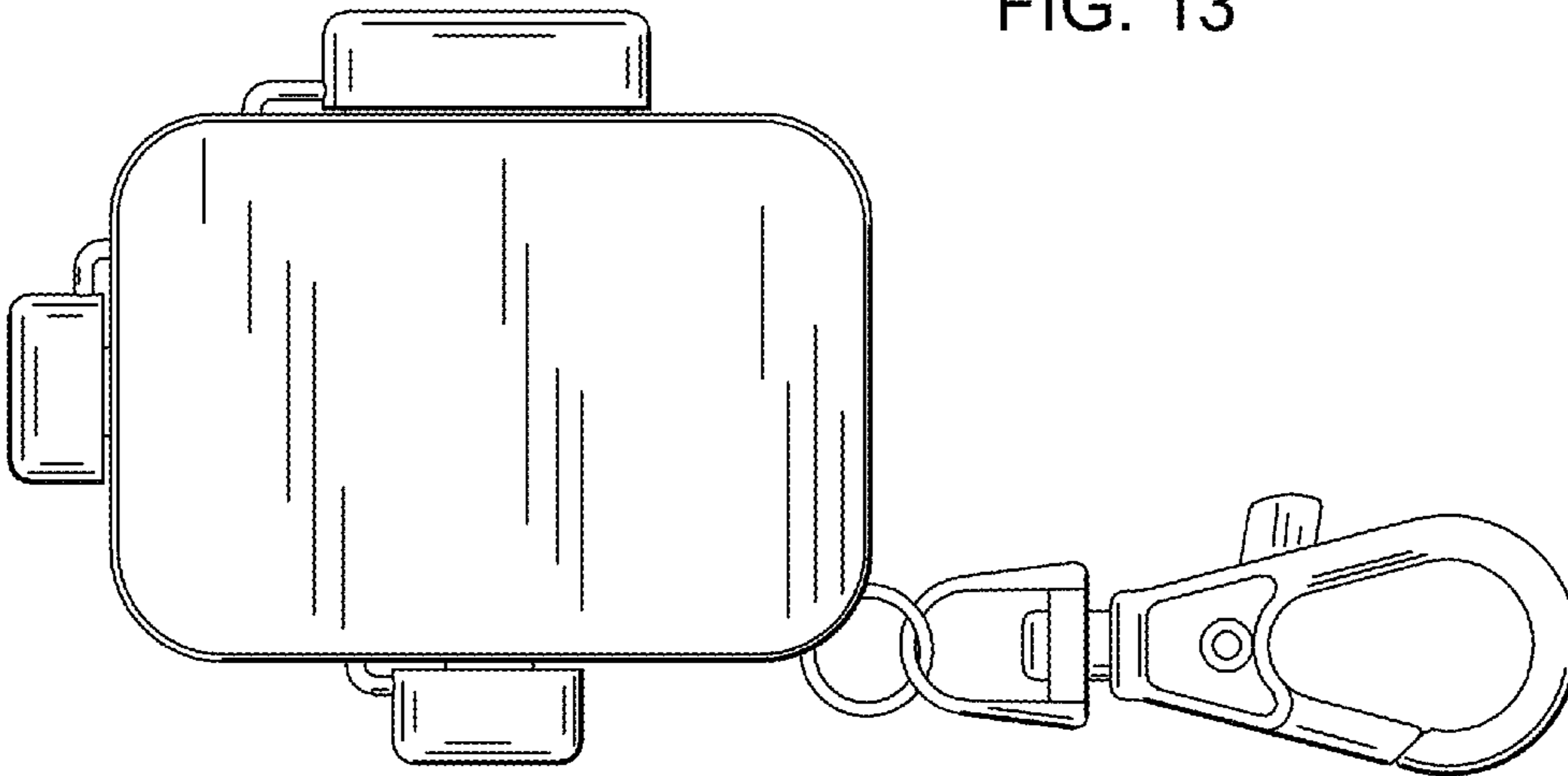


FIG. 14

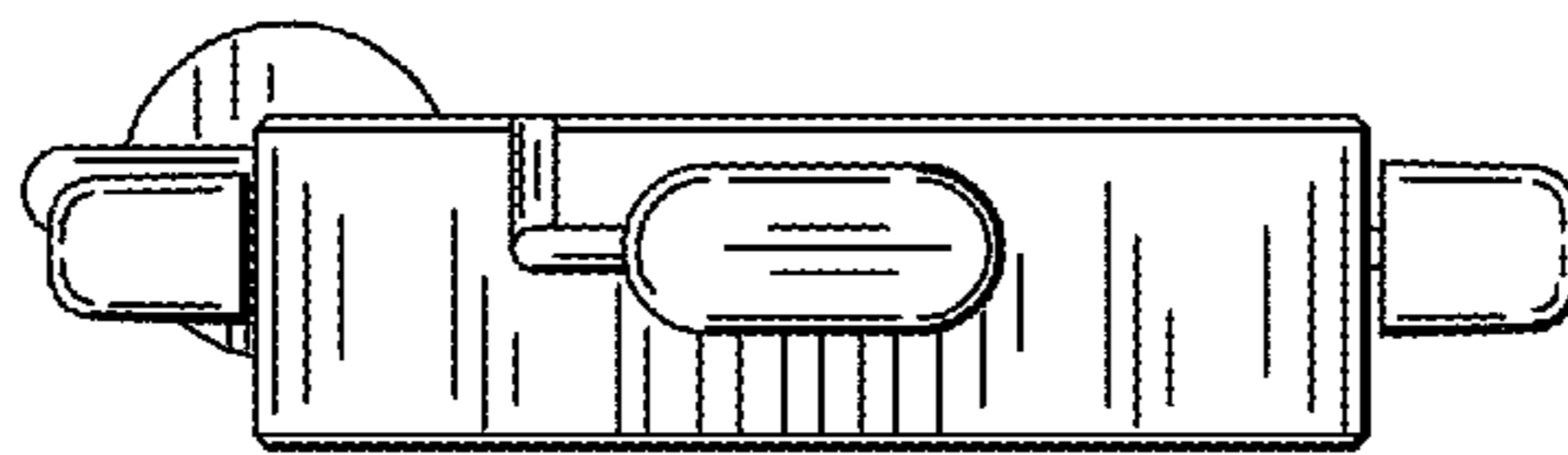


FIG. 15

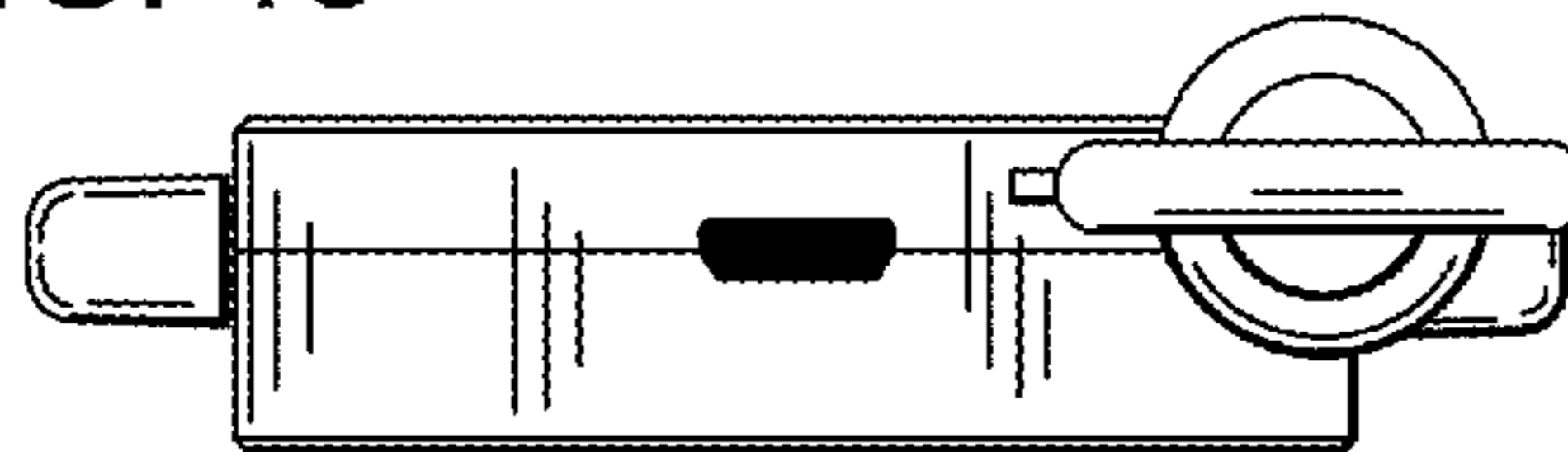




FIG. 16

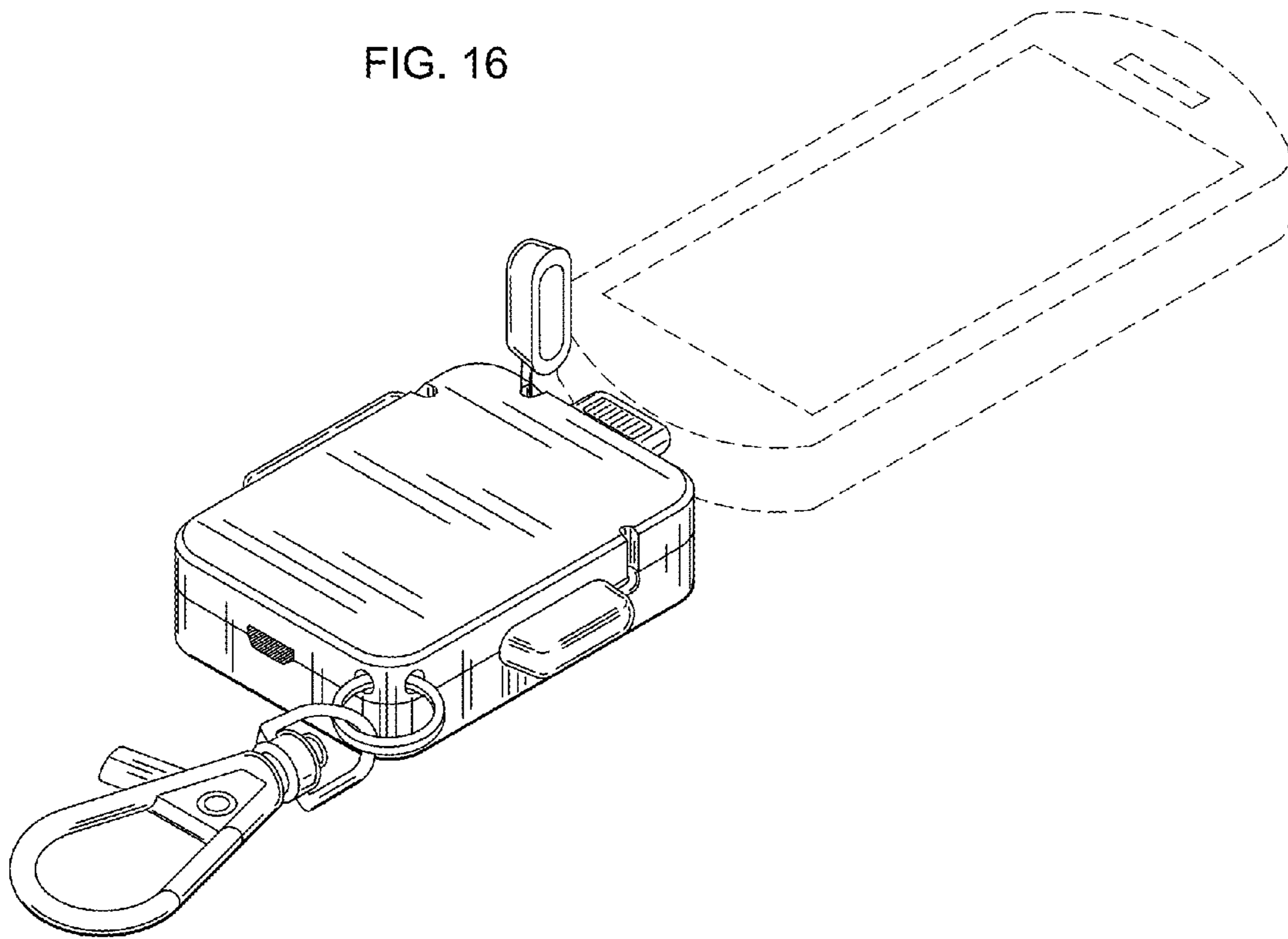


FIG. 17

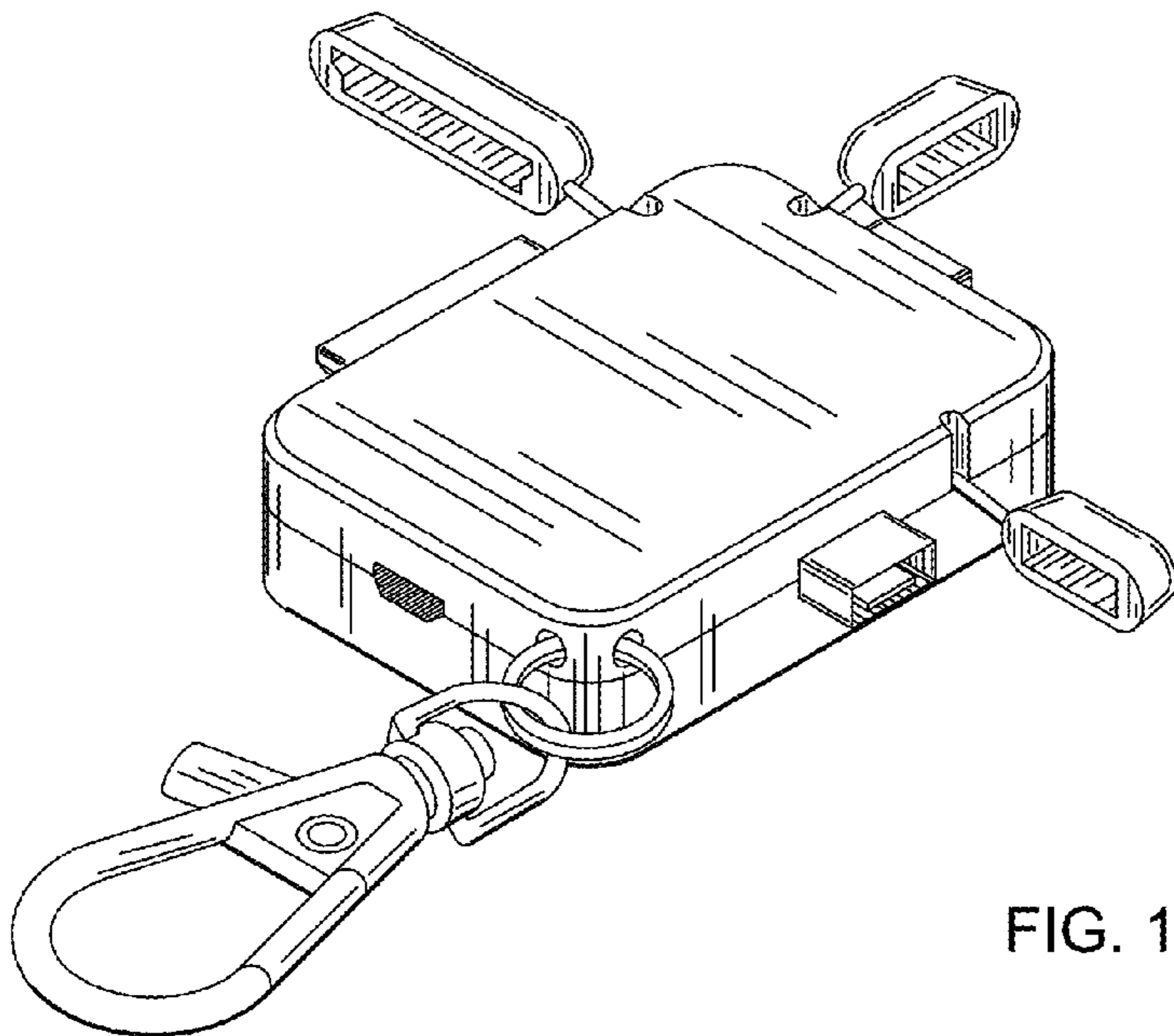


FIG. 18

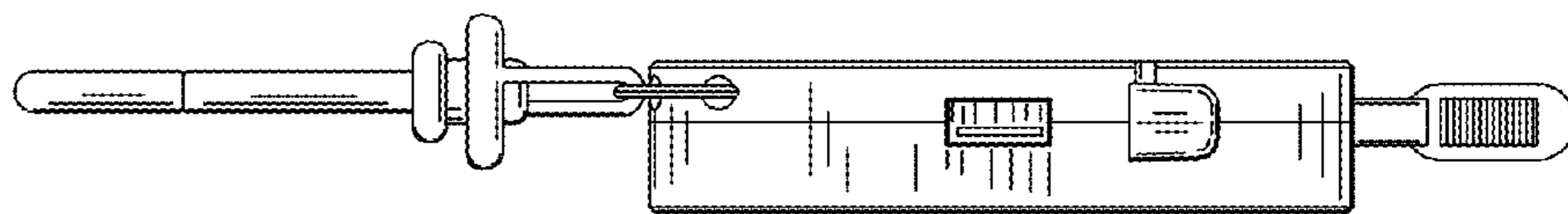


FIG. 19

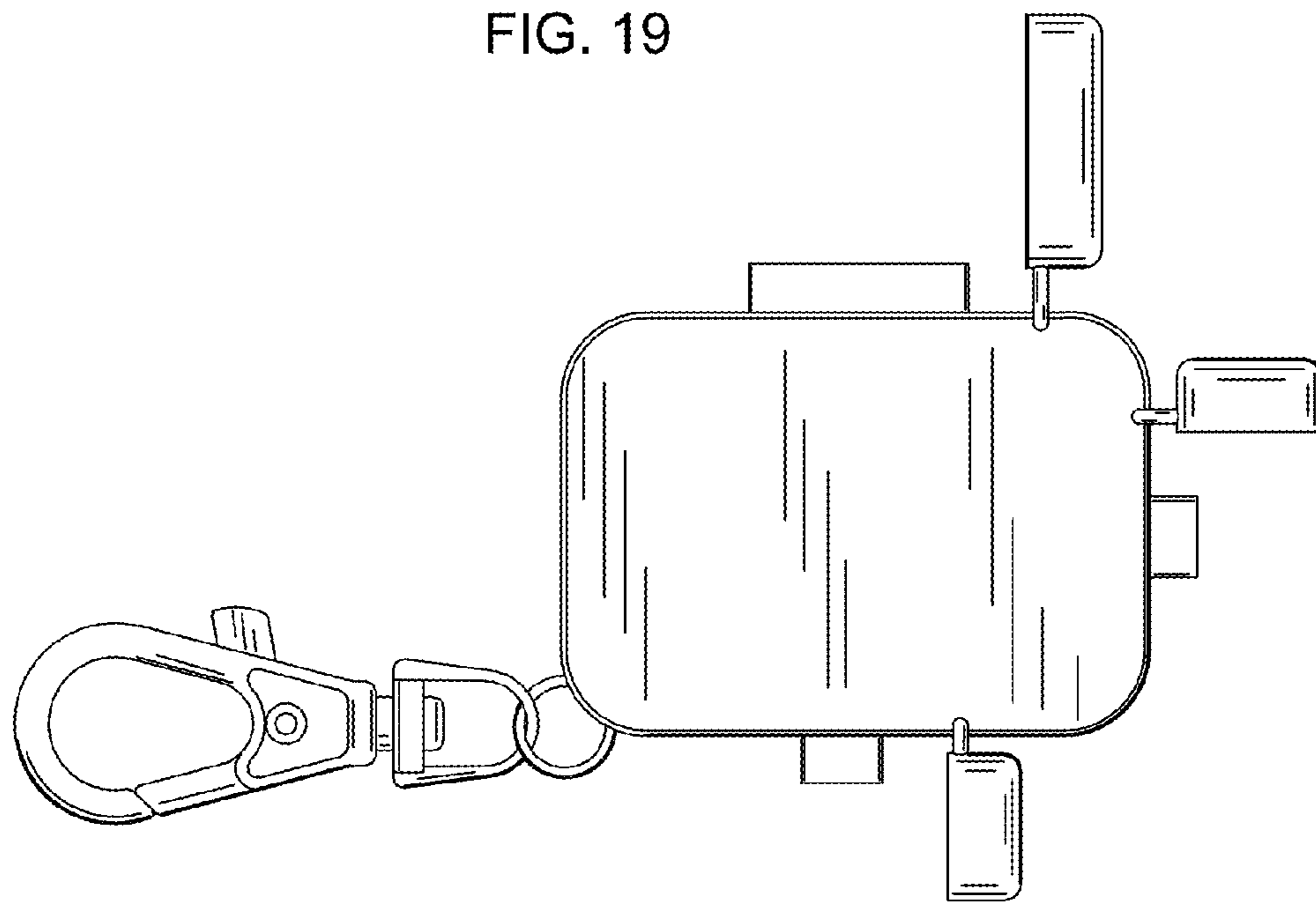


FIG. 20

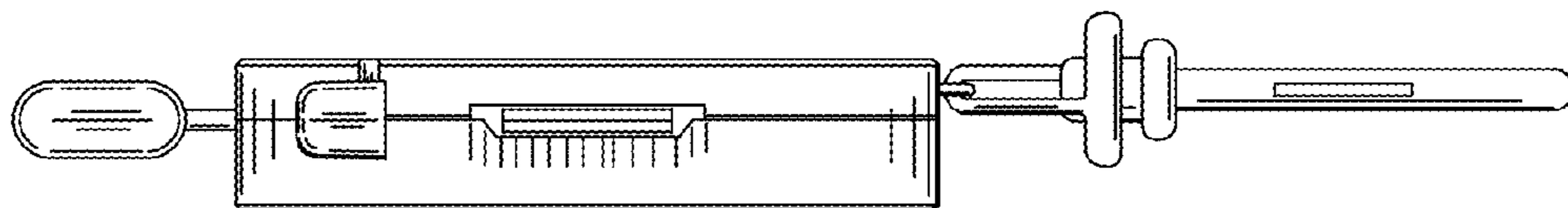


FIG. 22

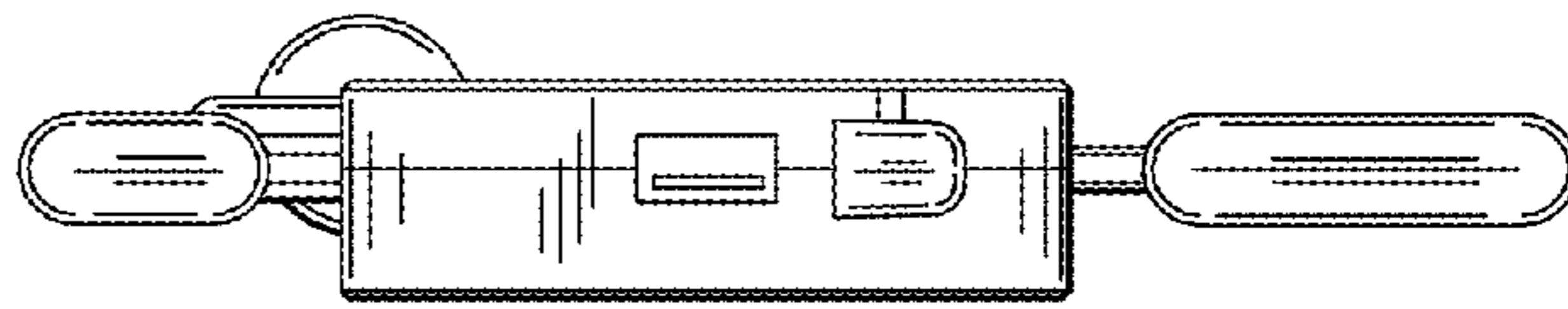


FIG. 21

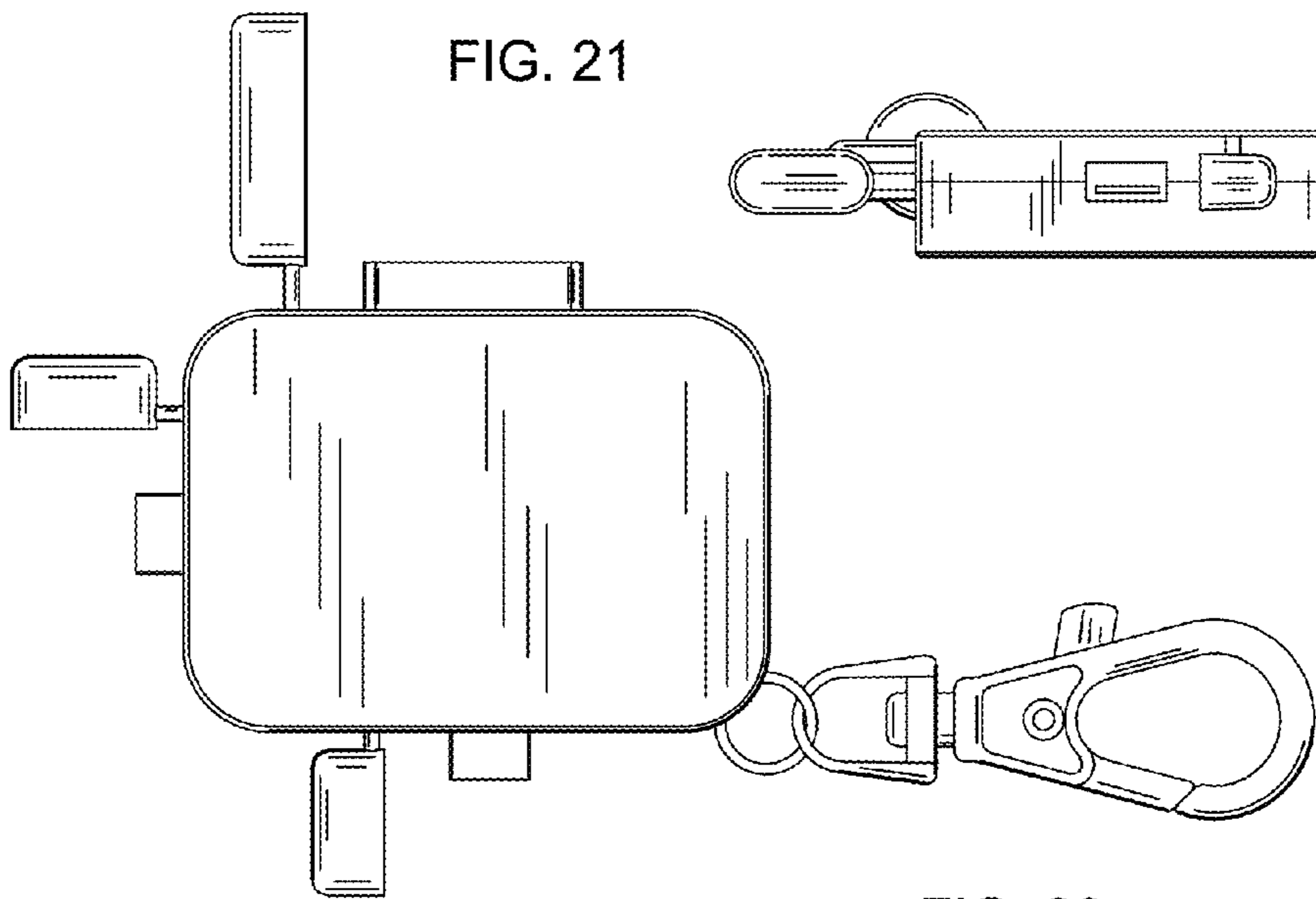


FIG. 23

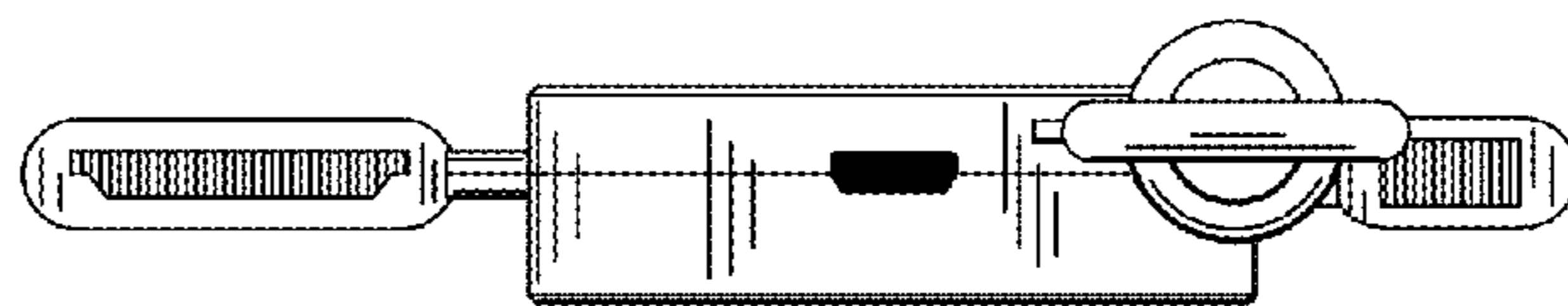


FIG. 24

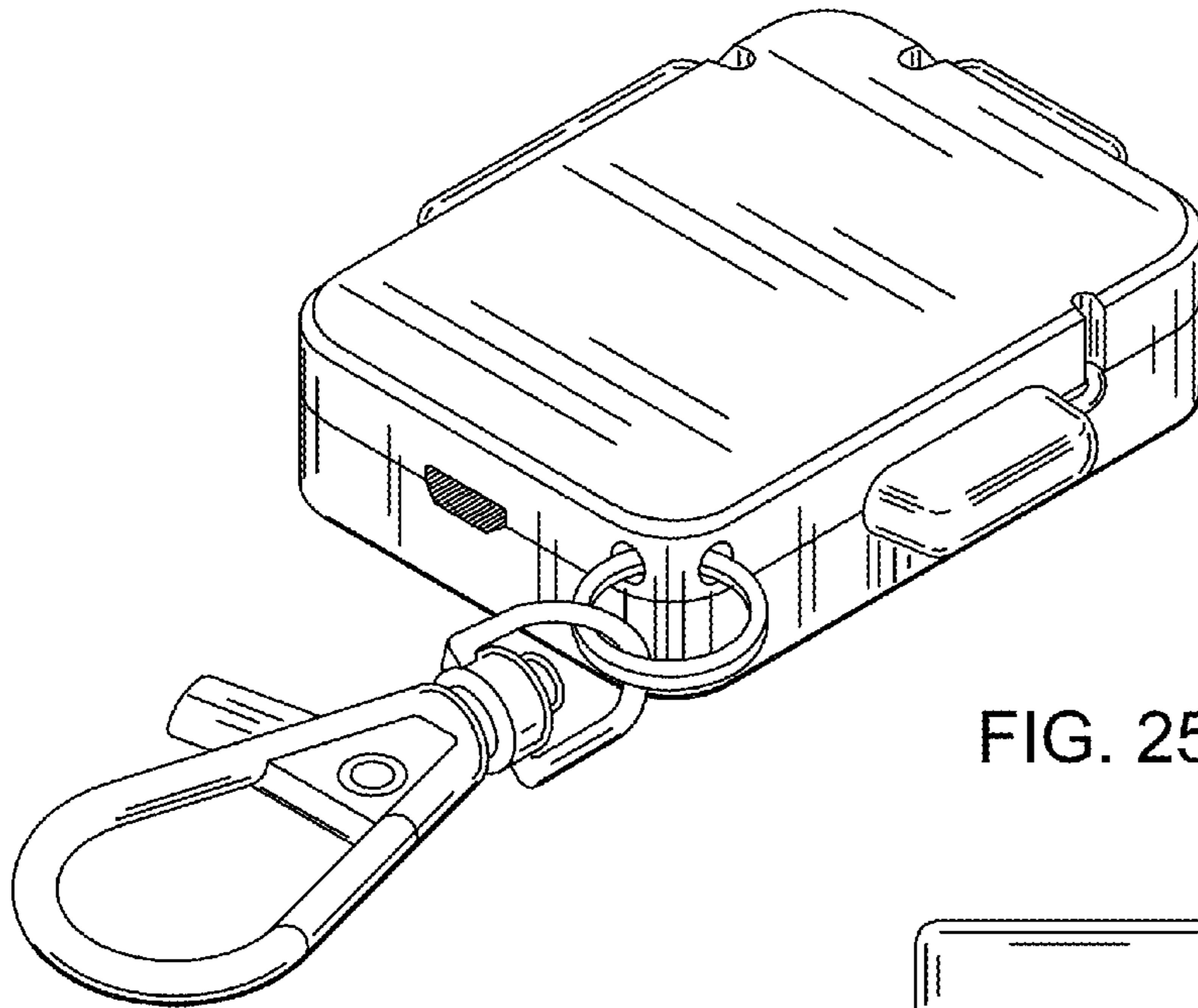


FIG. 25

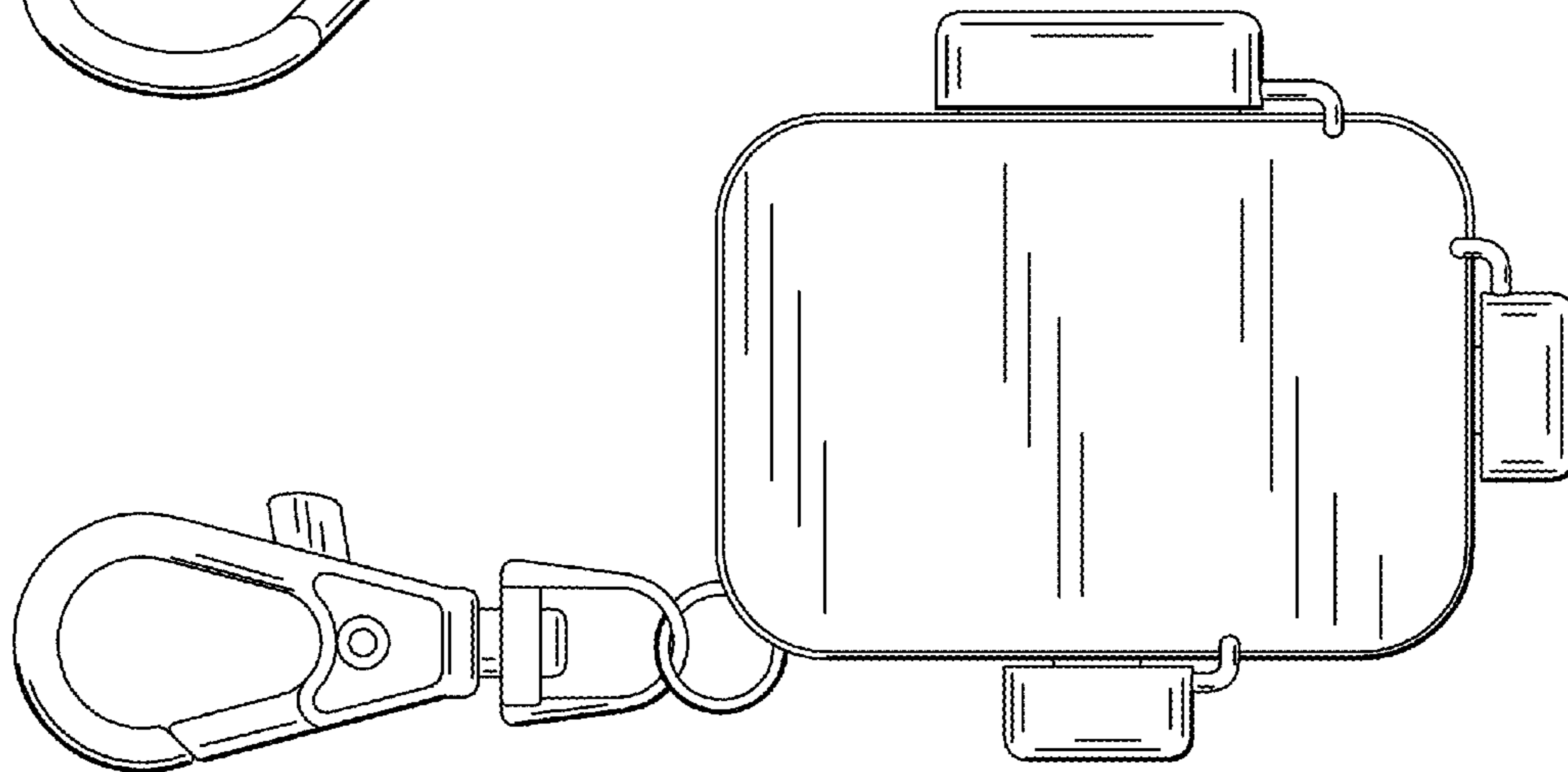


FIG. 26

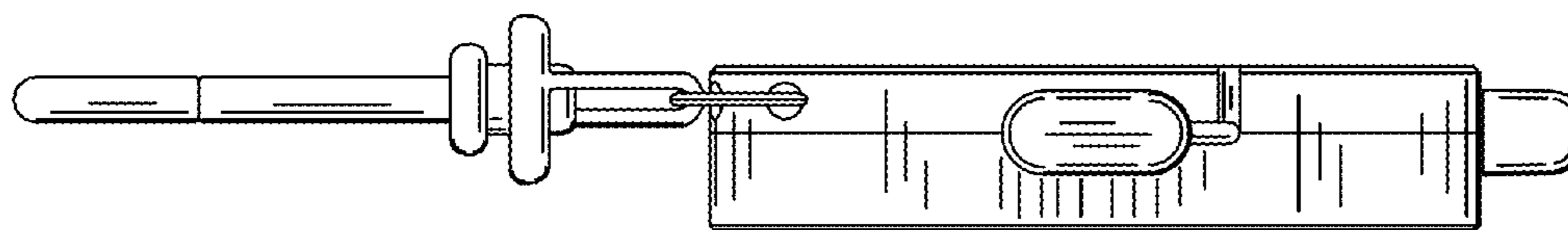


FIG. 27

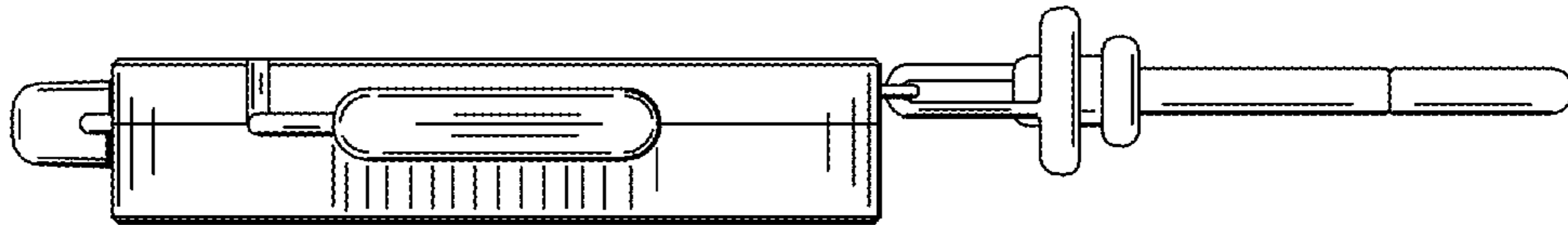


FIG. 28

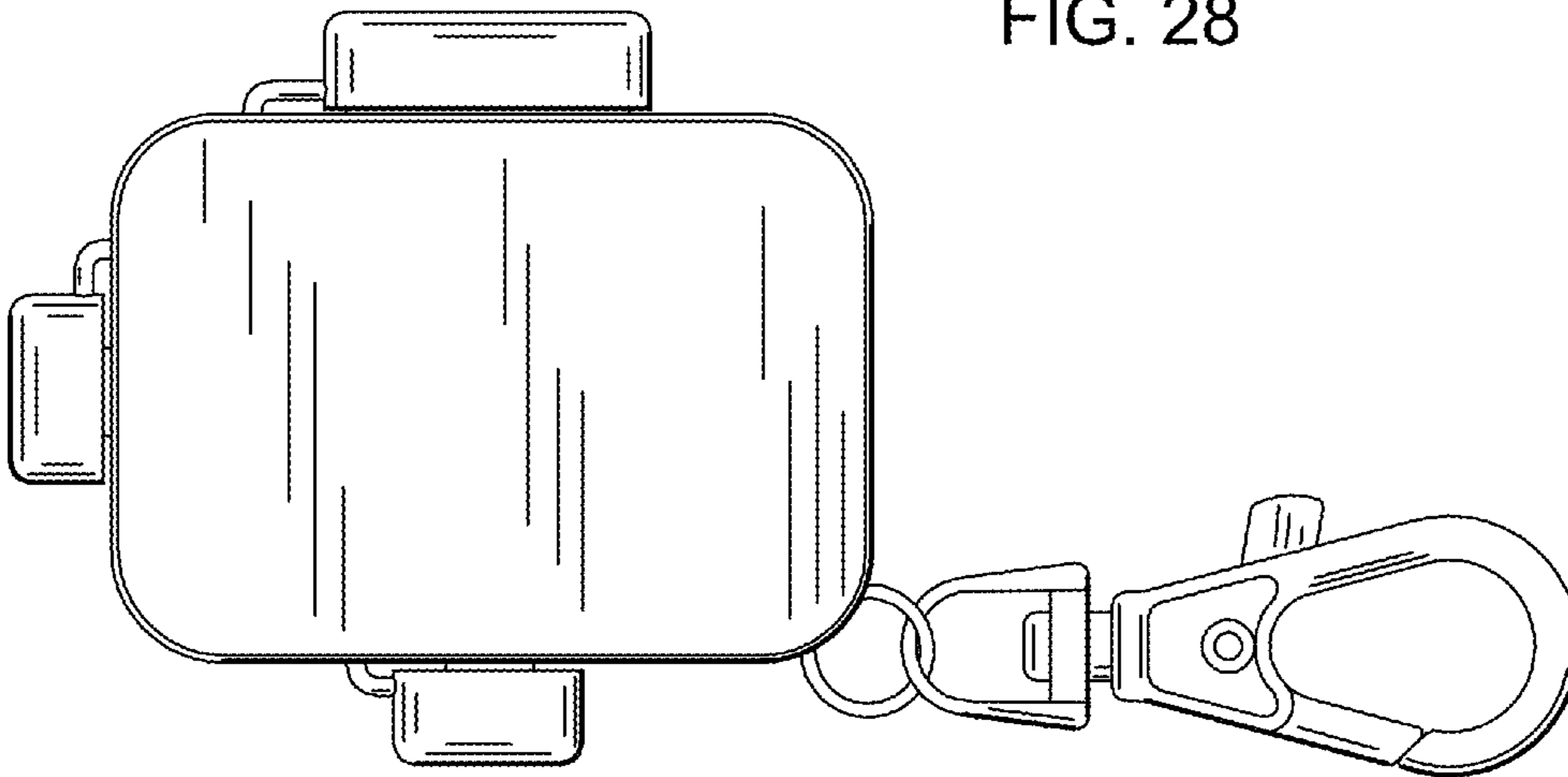


FIG. 29

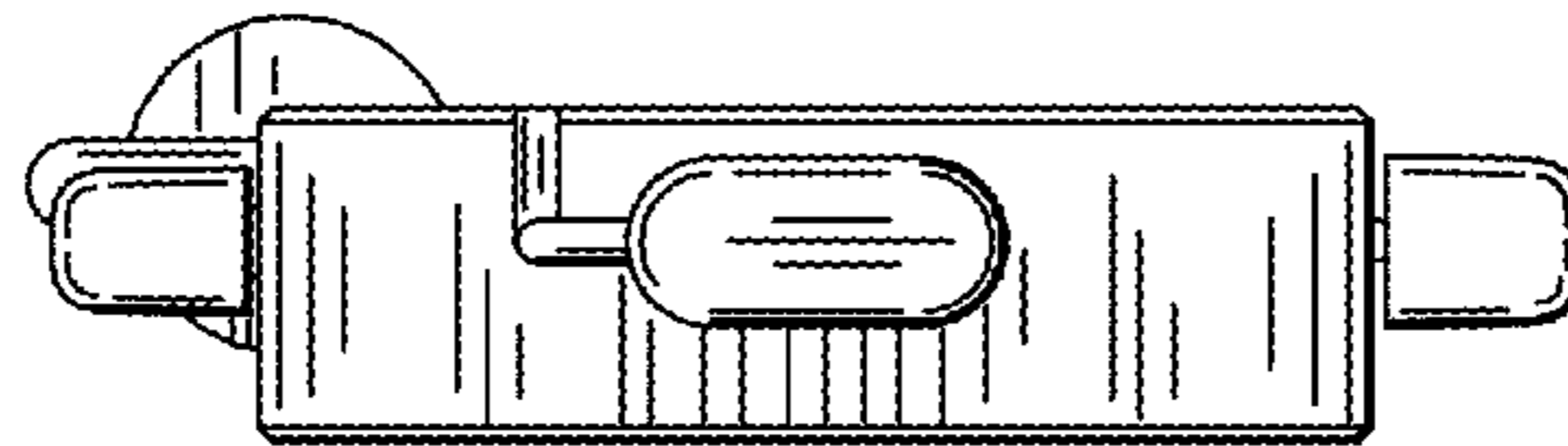


FIG. 30

