



US00D711820S

(12) **United States Design Patent**
Zeng

(10) **Patent No.:** **US D711,820 S**
(45) **Date of Patent:** **** Aug. 26, 2014**

(54) **PORTABLE POWER SOURCE**

(56) **References Cited**

(71) Applicant: **Jiangxi DBK Corporation Co., Ltd.**,
Fuzhou (CN)

U.S. PATENT DOCUMENTS

(72) Inventor: **Jinhui Zeng**, Fuzhou (CN)

D409,975	S	*	5/1999	Zeller	D13/103
D484,853	S	*	1/2004	Alviar	D13/110
D520,502	S	*	5/2006	Xu et al.	D14/356
D575,729	S	*	8/2008	Nomi et al.	D13/107
D576,100	S	*	9/2008	Wang	D13/110
D585,367	S	*	1/2009	Dunbar et al.	D13/108
D593,940	S	*	6/2009	Nomi et al.	D13/103
D612,329	S	*	3/2010	Guccione et al.	D13/108
D648,270	S	*	11/2011	Jiang	D13/103
D650,738	S	*	12/2011	Leung	D13/107
D654,852	S	*	2/2012	Hansen	D13/103
D654,856	S	*	2/2012	Inskeep	D13/107
D660,798	S	*	5/2012	Tseng	D13/110
D676,380	S	*	2/2013	Sun	D13/108
D678,187	S	*	3/2013	Huang	D13/103
D688,200	S	*	8/2013	Shin	D13/107
8,541,985	B1	*	9/2013	Wong	320/140
8,547,061	B1	*	10/2013	Wong	320/112
D697,865	S	*	1/2014	Saito et al.	D13/103
D705,719	S	*	5/2014	Wong	D13/103
D705,724	S	*	5/2014	Yu	D13/108
2013/0049675	A1	*	2/2013	Minami	320/103

(73) Assignee: **Jiangxi DBK Corporation Co., Ltd.**,
Fuzhou (CN)

(**) Term: **14 Years**

(21) Appl. No.: **29/472,663**

(22) Filed: **Nov. 14, 2013**

(30) **Foreign Application Priority Data**

Sep. 2, 2013 (CN) 2013 3 0423619

(51) **LOC (10) Cl.** **13-02**

(52) **U.S. Cl.**

USPC **D13/108**; D13/103

(58) **Field of Classification Search**

CPC Y02E 60/12; Y02E 60/122; Y02E 60/124;
Y02E 60/50; H01M 2/02; H01M 2/022;
H01M 2/0202; H01M 2/0207; H01M 2/0212;
H01M 2/1061; H01M 2/1022; H01M 2/1055;
H01M 2/1066; H01M 2/105; H01M 2/204;
H01M 10/4257; H01M 10/0436; H01M 10/48;
H01M 10/44; H01M 10/46; H01M 2200/30;
H02J 7/00; H02J 7/02; H02J 7/04; H02J
7/0027; H02J 7/0054; H02J 7/0055; H02J
2007/0062

USPC D13/102-110, 118-119, 184, 199;
D14/356, 432; 320/103, 107-115, 135,
320/138, 140; 429/96-100, 156, 163, 176,
429/122

See application file for complete search history.

* cited by examiner

Primary Examiner — Rosemary K Tarcza

(74) *Attorney, Agent, or Firm* — Troutman Sanders LLP

(57) **CLAIM**

The ornamental design for a portable power source, as shown and described.

DESCRIPTION

FIG. 1 is a bottom view of the portable power source insert of the new design;

FIG. 2 is a front view thereof;

FIG. 3 is a perspective view thereof;

FIG. 4 is a left view thereof;

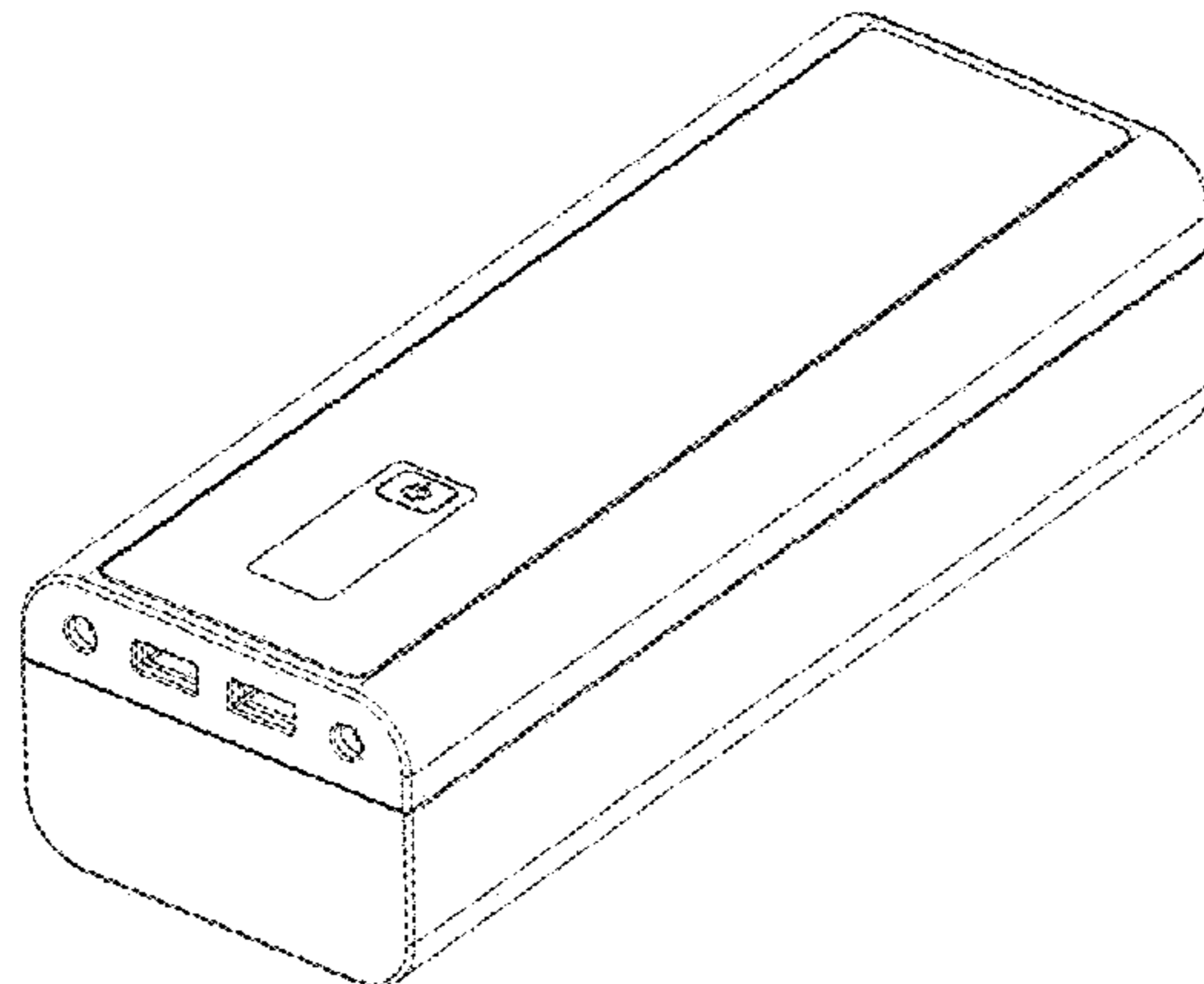
FIG. 5 is a rear view thereof;

FIG. 6 is a right view thereof; and,

FIG. 7 is a top view thereof.

The nature of this product is as portable power source for supplying power or recharging electronic products at any time.

1 Claim, 7 Drawing Sheets



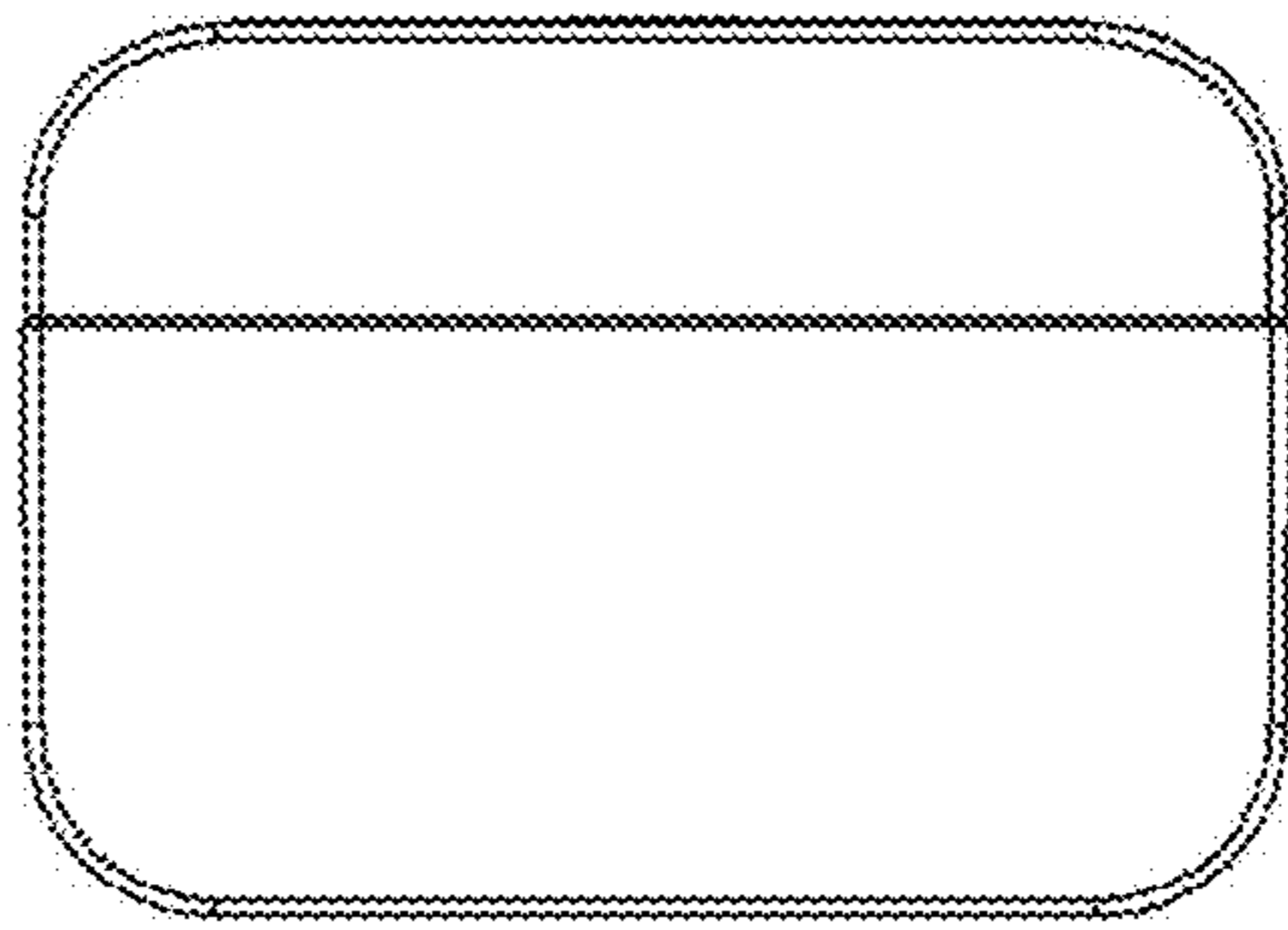


FIG 1

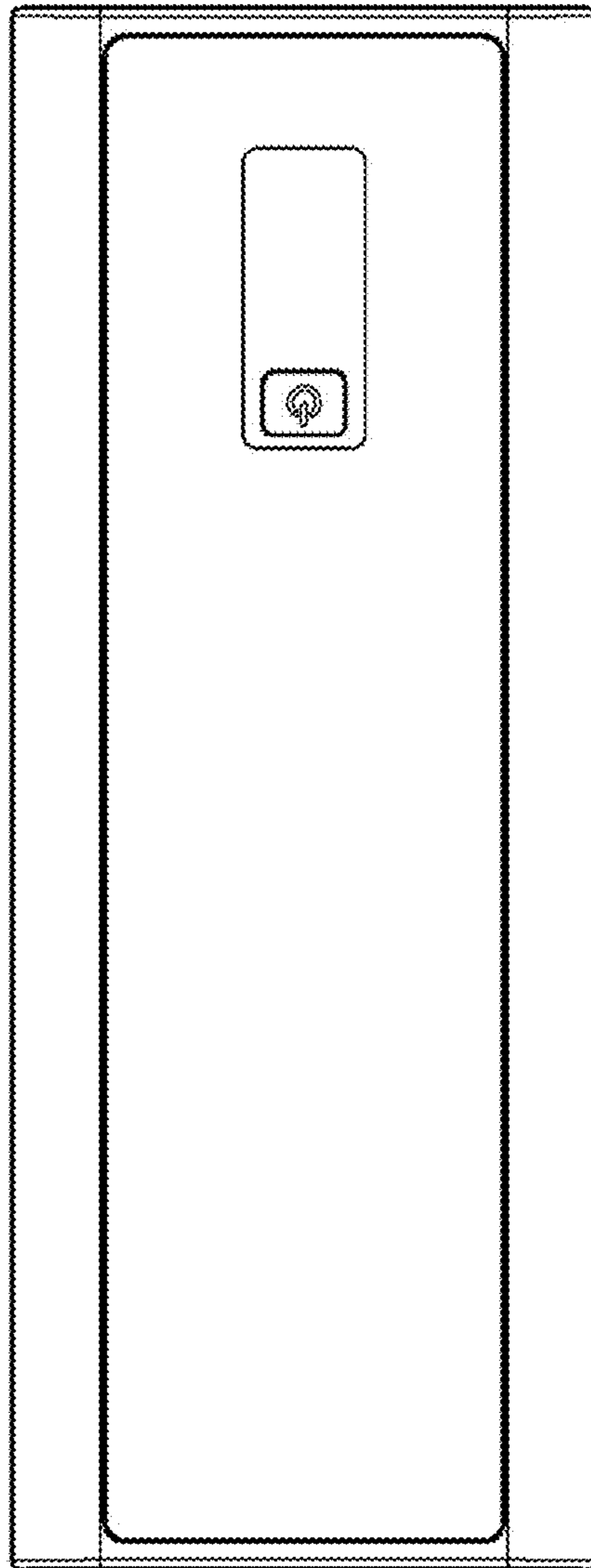


FIG 2

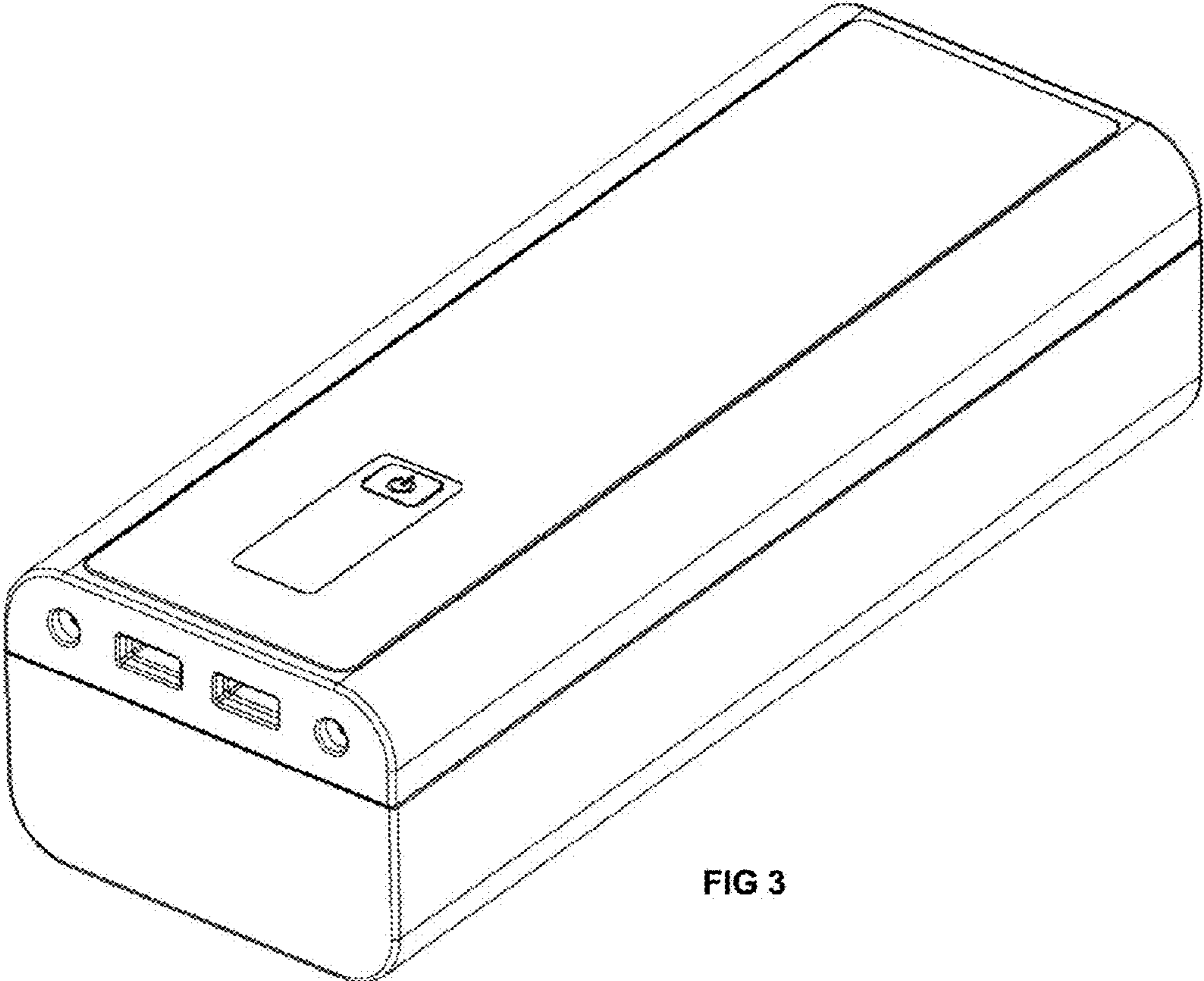


FIG 3

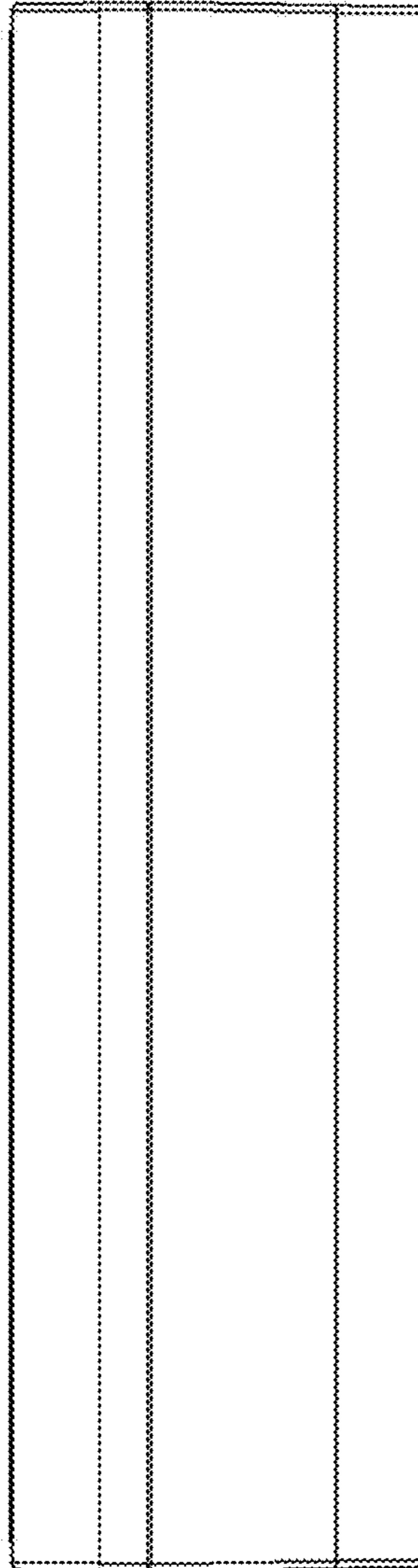


FIG 4

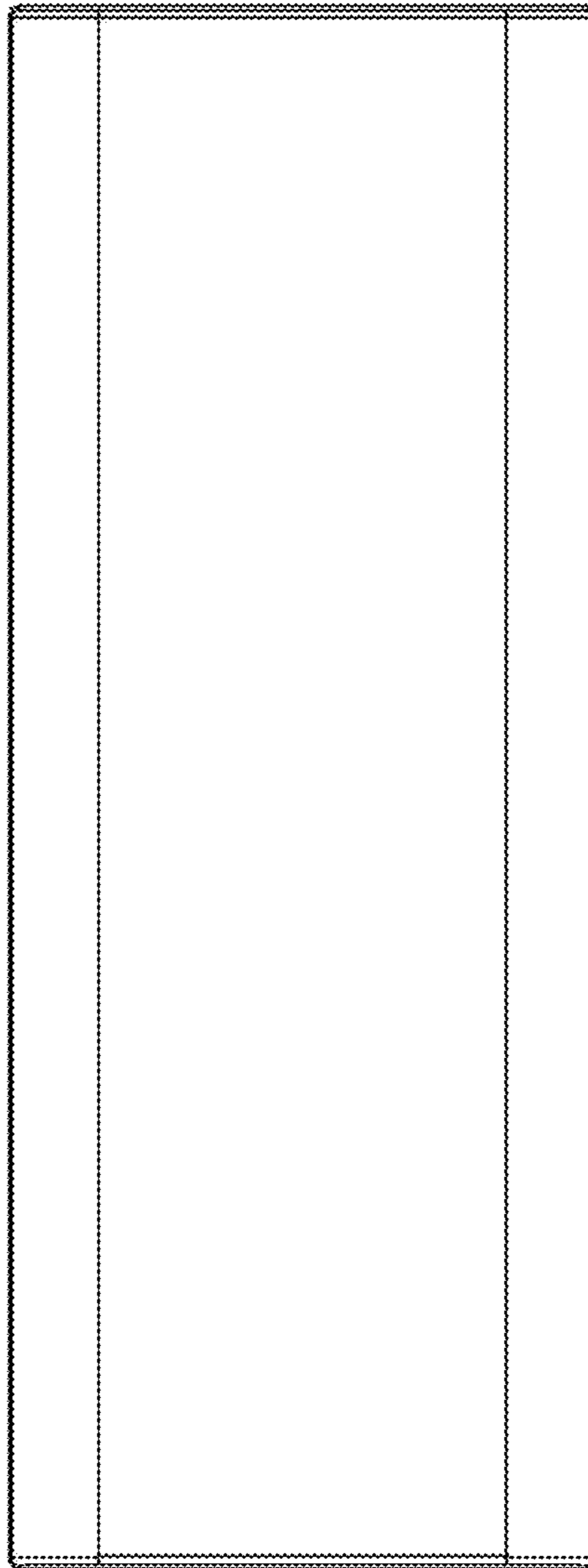


FIG 5

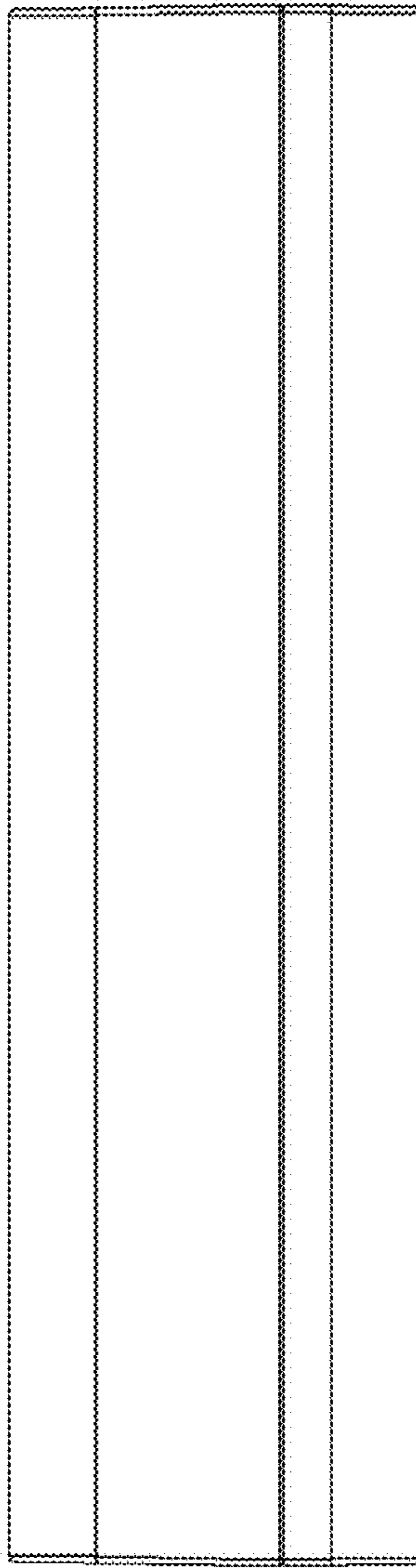


FIG 6

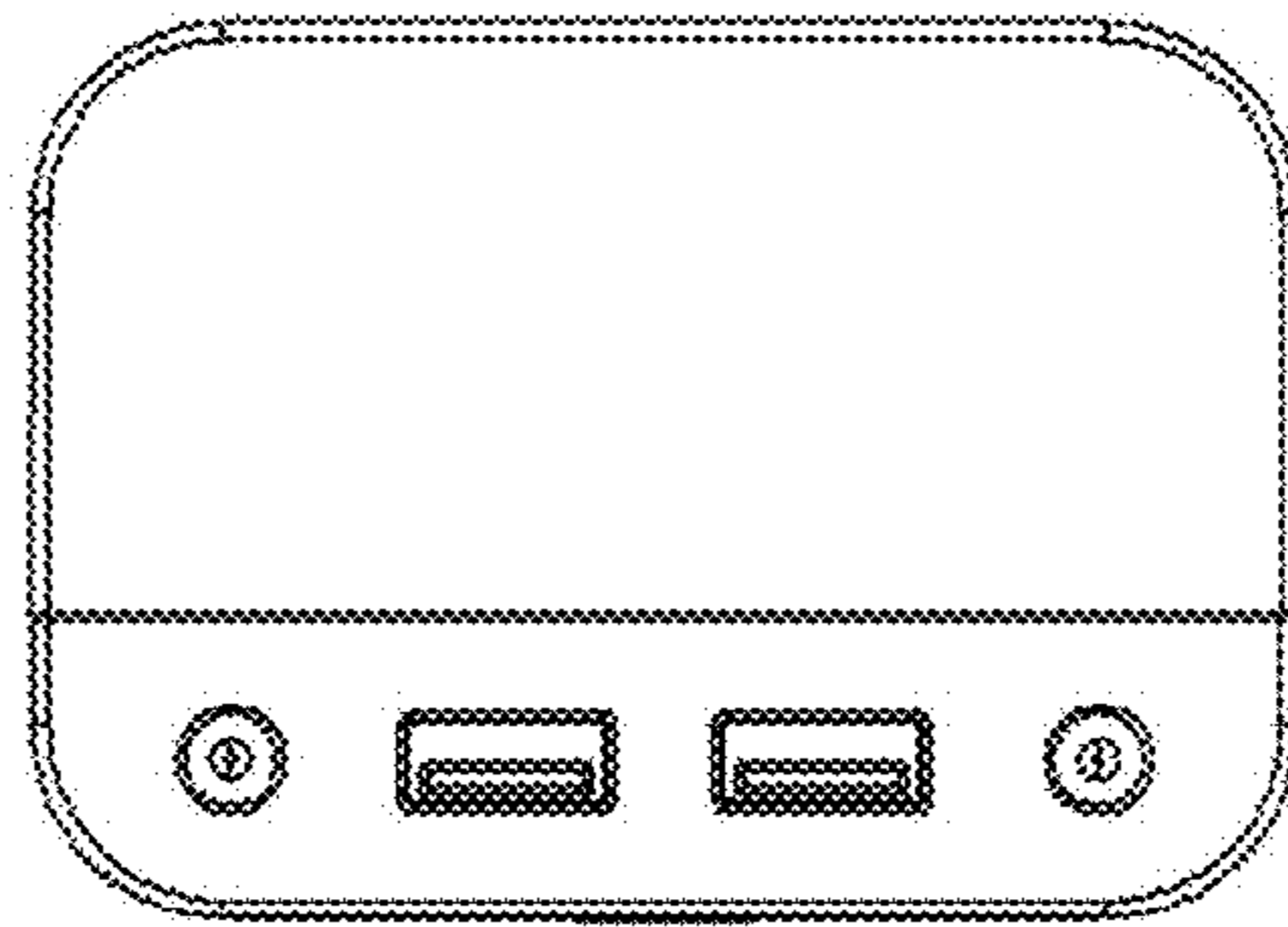


FIG 7