



US00D711819S

(12) **United States Design Patent**
To

(10) **Patent No.:** **US D711,819 S**

(45) **Date of Patent:** **** Aug. 26, 2014**

(54) **MOBILE BATTERY CHARGER**

Design U.S. Appl. No. 29/478,253, filed Jan. 2, 2014, Namminga.
Design U.S. Appl. No. 29/475,951, filed Dec. 9, 2013, Hasbrook et al.

(71) Applicant: **Mophie, Inc.**, Tustin, CA (US)

(Continued)

(72) Inventor: **Nguyen To**, Corona, CA (US)

Primary Examiner — Rosemary K Tarcza

(73) Assignee: **Mophie Inc.**, Tustin, CA (US)

(74) *Attorney, Agent, or Firm* — Knobbe, Martens, Olson & Bear LLP

(**) Term: **14 Years**

(21) Appl. No.: **29/464,271**

(57) **CLAIM**

(22) Filed: **Aug. 14, 2013**

The ornamental design for a mobile battery charger, as shown and described.

Related U.S. Application Data

DESCRIPTION

(63) Continuation of application No. 29/410,518, filed on Jan. 9, 2012, now abandoned.

(51) **LOC (10) Cl.** **13-02**

(52) **U.S. Cl.**
USPC **D13/108**

(58) **Field of Classification Search**
USPC D13/103, 107–110, 118–119, 184, 199;
320/107–115

See application file for complete search history.

FIG. 1 is a top view of the mobile battery charger with port connector flaps closed;
FIG. 2 is a left-hand-side view of the mobile battery charger with port connector flaps closed;
FIG. 3 is a front view of the mobile battery charger with port connector flaps closed;
FIG. 4 is a right-hand-side view of the mobile battery charger with port connector flaps closed;
FIG. 5 is a rear view of the mobile battery charger with port connector flaps closed;
FIG. 6 is a bottom view of the mobile battery charger with port connector flaps closed;
FIG. 7 is a top view of the mobile battery charger with port connector flaps open;
FIG. 8 is a left-hand-side view of the mobile battery charger with port connector flaps open;
FIG. 9 is a front view of the mobile battery charger with port connector flaps open;
FIG. 10 is a right-hand-side view of the mobile battery charger with port connector flaps open;
FIG. 11 is a rear view of the mobile battery charger with port connector flaps open; and,
FIG. 12 is a bottom view of the mobile battery charger with port connector flaps open.

(56) **References Cited**

U.S. PATENT DOCUMENTS

5,001,772 A	3/1991	Holcomb et al.
5,368,159 A	11/1994	Doria
5,508,123 A	4/1996	Fan
D372,896 S	8/1996	Nagele et al.
5,586,002 A	12/1996	Notarianni
5,604,050 A	2/1997	Brunette et al.
5,610,979 A	3/1997	Yu
5,648,712 A	7/1997	Hahn
5,708,707 A	1/1998	Halttunen et al.
5,711,013 A	1/1998	Collett et al.

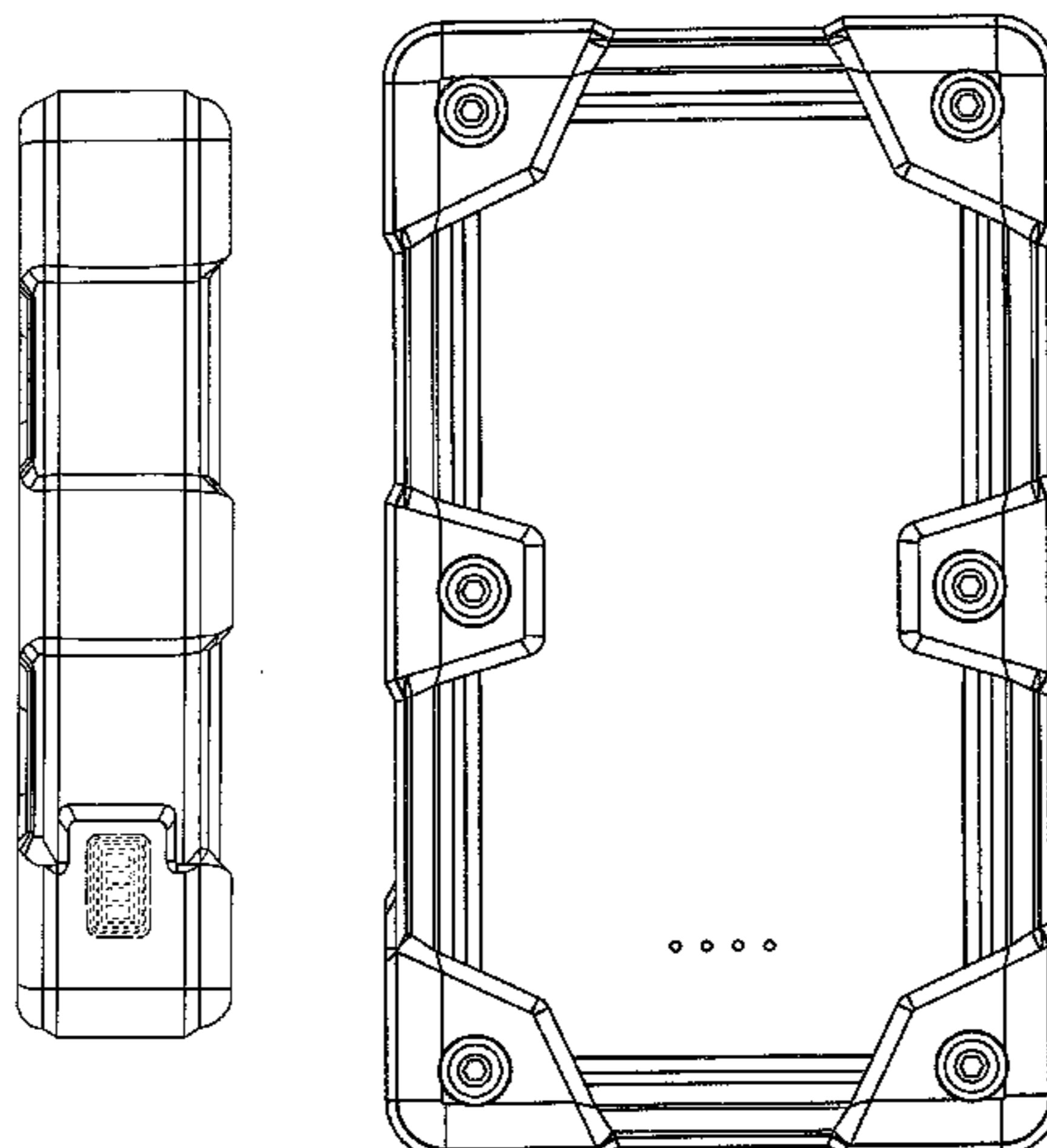
(Continued)

OTHER PUBLICATIONS

Design U.S. Appl. No. 29/422,897, filed May 24, 2012, Hasbrook.
Design U.S. Appl. No. 29/410,505, filed Jan. 9, 2012, To.
Design U.S. Appl. No. 29/422,891, filed May 24, 2012, Hasbrook.
Design U.S. Appl. No. 29/410,518, filed Jan. 9, 2012, To.

The broken lines shown in the drawings are included for the purpose of illustrating environmental structure and form no part of the claimed design.

1 Claim, 12 Drawing Sheets



(56)

References Cited

U.S. PATENT DOCUMENTS

D392,248 S 3/1998 Johansson
 D392,939 S 3/1998 Finke-Anlauff
 5,786,106 A 7/1998 Armani
 D400,495 S 11/1998 Deslyper et al.
 5,864,766 A 1/1999 Chiang
 5,973,477 A 10/1999 Chang
 6,043,626 A 3/2000 Snyder et al.
 D436,596 S * 1/2001 Ito et al. D14/434
 6,171,138 B1 1/2001 Le Febvre et al.
 6,184,654 B1 2/2001 Bachner, III et al.
 6,208,115 B1 3/2001 Binder
 6,317,313 B1 11/2001 Mosgrove et al.
 6,324,380 B1 11/2001 Kiuchi et al.
 D460,411 S 7/2002 Wang
 6,538,413 B1 3/2003 Beard et al.
 6,555,990 B1 4/2003 Yang
 6,614,722 B2 9/2003 Polany et al.
 D487,458 S 3/2004 Gentil et al.
 D496,029 S 9/2004 Skulley et al.
 D503,679 S 4/2005 Andre et al.
 6,992,461 B2 1/2006 Liang et al.
 D515,500 S * 2/2006 Khasminsky D13/107
 D518,477 S 4/2006 Cheng
 D529,495 S * 10/2006 Kent et al. D14/356
 7,166,987 B2 1/2007 Lee et al.
 D547,056 S 7/2007 Griffin et al.
 D547,057 S 7/2007 Griffin et al.
 D551,216 S 9/2007 Wei
 D556,681 S 12/2007 Kim
 D558,972 S 1/2008 Oh
 D558,973 S 1/2008 Hussaini et al.
 D561,092 S 2/2008 Kim
 7,336,973 B2 2/2008 Goldthwaite et al.
 D570,772 S 6/2008 Mahaffey et al.
 D572,250 S 7/2008 Yang
 7,400,917 B2 7/2008 Wood et al.
 D575,056 S 8/2008 Tan
 7,428,427 B2 9/2008 Brunstrom et al.
 D581,151 S 11/2008 Aipa
 D582,149 S 12/2008 Tan
 7,479,759 B2 1/2009 Vilanov et al.
 D587,896 S 3/2009 Aipa
 D588,147 S 3/2009 Finlayson et al.
 D601,955 S 10/2009 Ekmekdje
 D601,959 S 10/2009 Lee
 D603,334 S * 11/2009 Suzuki D13/108
 7,612,997 B1 11/2009 Diebel et al.
 D610,538 S 2/2010 Wu et al.
 D618,237 S 6/2010 Wang
 7,778,410 B2 8/2010 Liu et al.
 7,782,610 B2 8/2010 Diebel et al.
 D623,399 S 9/2010 McSweyn
 D624,747 S 10/2010 McSweyn
 D628,153 S 11/2010 Fujii et al.
 D628,535 S 12/2010 Cheng
 D632,648 S 2/2011 Yang
 D634,704 S 3/2011 Tieleman et al.
 D635,961 S 4/2011 Gidden et al.
 D637,951 S * 5/2011 Perez D13/108
 D637,952 S 5/2011 Tan
 D639,731 S 6/2011 Sun
 D645,049 S 9/2011 Faranda et al.
 D645,050 S 9/2011 Faranda et al.
 D647,908 S * 11/2011 Chen et al. D14/434
 D649,932 S 12/2011 Symons
 D652,379 S 1/2012 Vandiver
 D653,207 S 1/2012 Vandiver
 D654,854 S * 2/2012 Inskeep D13/107

D656,096 S 3/2012 Sasada et al.
 D659,094 S 5/2012 Brand et al.
 D661,249 S * 6/2012 Smith et al. D13/110
 D663,684 S 7/2012 Yang
 D663,685 S 7/2012 Yang
 D664,501 S * 7/2012 Inskeep D13/107
 D664,502 S * 7/2012 Inskeep D13/107
 D666,144 S 8/2012 Brand et al.
 D671,096 S 11/2012 Song et al.
 D689,847 S 9/2013 To
 D695,214 S 12/2013 Roberts et al.
 2001/0054148 A1 12/2001 Hoornaert et al.
 2002/0147035 A1 10/2002 Su
 2003/0096642 A1 5/2003 Bessa et al.
 2003/0218445 A1 11/2003 Behar
 2003/0228866 A1 12/2003 Pezeshki
 2004/0097256 A1 5/2004 Kujawski
 2004/0104268 A1 6/2004 Bailey
 2005/0090301 A1 4/2005 Lange et al.
 2005/0231159 A1 10/2005 Jones et al.
 2005/0247787 A1 11/2005 Von Mueller et al.
 2005/0248312 A1 11/2005 Cao et al.
 2006/0058073 A1 3/2006 Kim
 2006/0063589 A1 3/2006 Chong
 2006/0099999 A1 5/2006 Park
 2007/0152633 A1 7/2007 Lee
 2007/0167190 A1 7/2007 Moosavi et al.
 2007/0236180 A1 10/2007 Rodgers
 2007/0297149 A1 12/2007 Richardson et al.
 2008/0007214 A1 1/2008 Cheng
 2008/0053770 A1 3/2008 Tynyk
 2008/0096620 A1 4/2008 Lee et al.
 2008/0108395 A1 5/2008 Lee et al.
 2008/0123287 A1 5/2008 Rossell et al.
 2008/0132289 A1 6/2008 Wood et al.
 2009/0051319 A1 2/2009 Fang et al.
 2009/0069050 A1 3/2009 Jain et al.
 2009/0073650 A1 3/2009 Huang et al.
 2009/0143104 A1 6/2009 Loh et al.
 2009/0144456 A1 6/2009 Gelf et al.
 2009/0186428 A1 7/2009 Huang
 2010/0026589 A1 2/2010 Dou et al.
 2010/0064883 A1 3/2010 Gynes
 2010/0117597 A1 5/2010 Wang

OTHER PUBLICATIONS

Design U.S. Appl. No. 29/478,243, filed Jan. 2, 2014, Kim.
 Jeremy Horwitz, "Kensington Mini Battery Pack and Charger for iPhone and iPod," dated May 16, 2008, <http://www.ilounge.com/index.php/reviews/entry/kensington-mini-batterypack-and-charger-for-iphone-and-ipod/>.
 Kensington Mini Battery Pack and Charger for iPhone and iPod, dated Sep. 30, 2008, 1 Page.
 Sven Rafferty, "Mybat External Battery for iPhone and iPod," dated May 18, 2008, <http://svenontech.com/reviews/?p=74>.
 Dave Rees, "Richard Solo Backup Battery for iPhone/iPod Review," dated Jun. 16, 2008, http://the-gadgeteer.com/2008/06/16/richard_solo_backup_battery_for_iphone_ipod/.
 "Cheap DIY iPhone External Battery," dated Jul. 22, 2008, <http://fastdad.wordpress.com/2008/07/22/cheap-diy-iphone-external-battery/>.
 Jeremy Horwitz, "iLuv i603/i604 Rechargeable Lithium Polymer Batteries with Silicone Skin," dated Jun. 27, 2006, <http://www.ilounge.com/index.php/reviews/entry/iluv-i603-rechargeable-lithium-polymer-battery-with-silicone-skin/>.
 Devin Coldewey, "Combination iPhone battery pack and flash from FastMac," dated Nov. 4, 2008, <http://crunchgear.com/2008/11/04/combination-iphone-battery-pack-and-flash-from-fastmac/>.

* cited by examiner

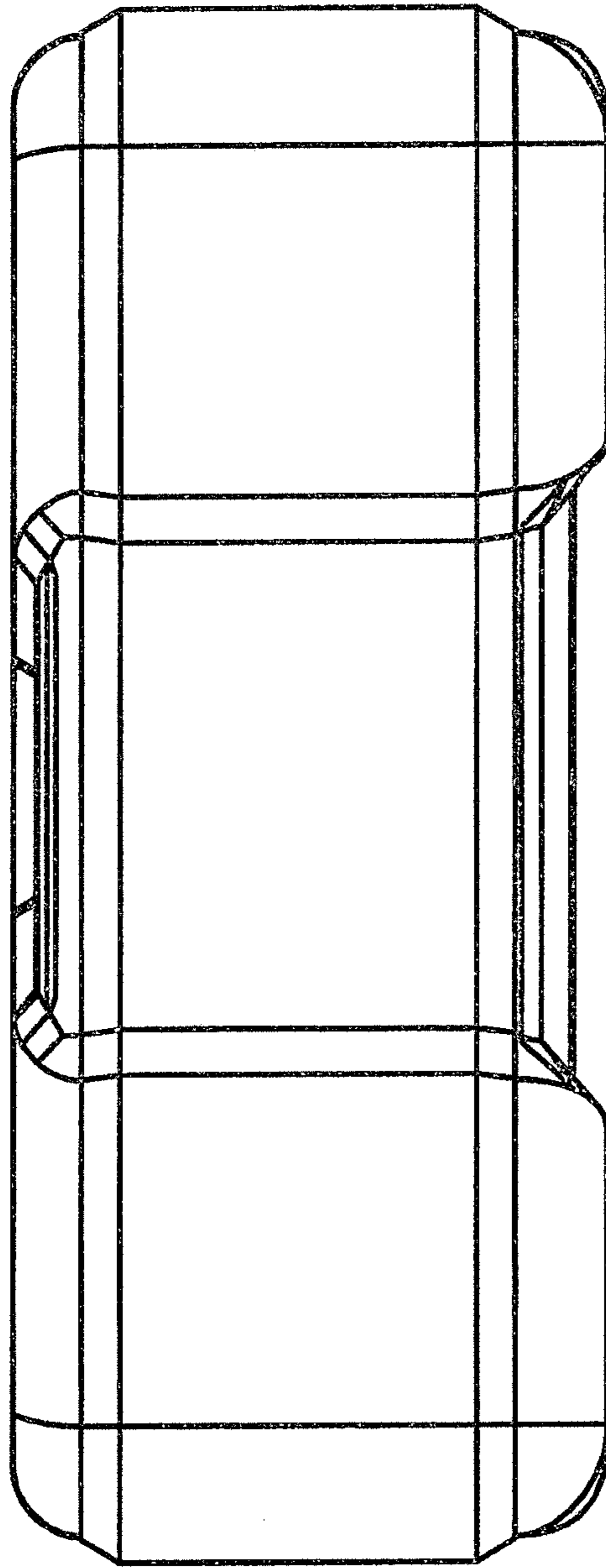


FIGURE 1

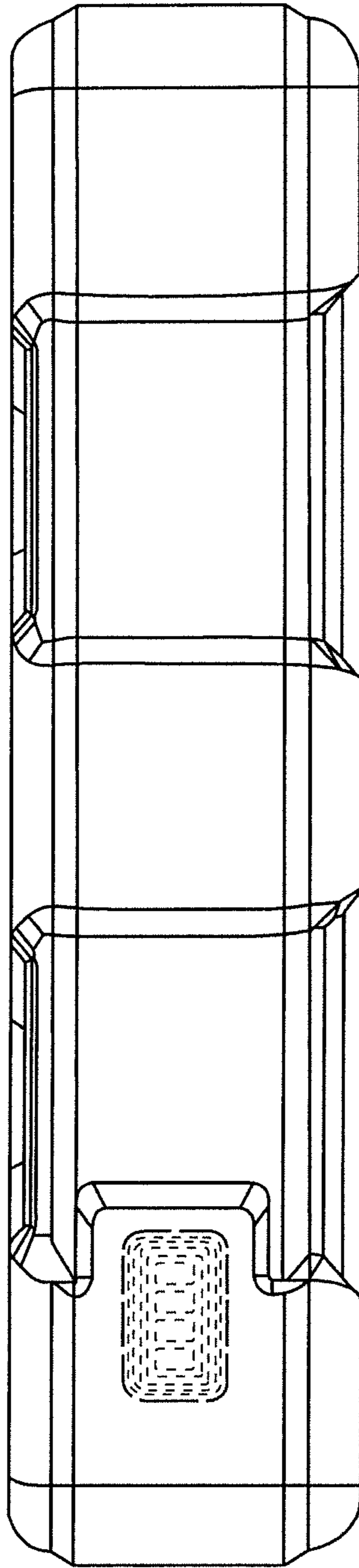


FIG. 2

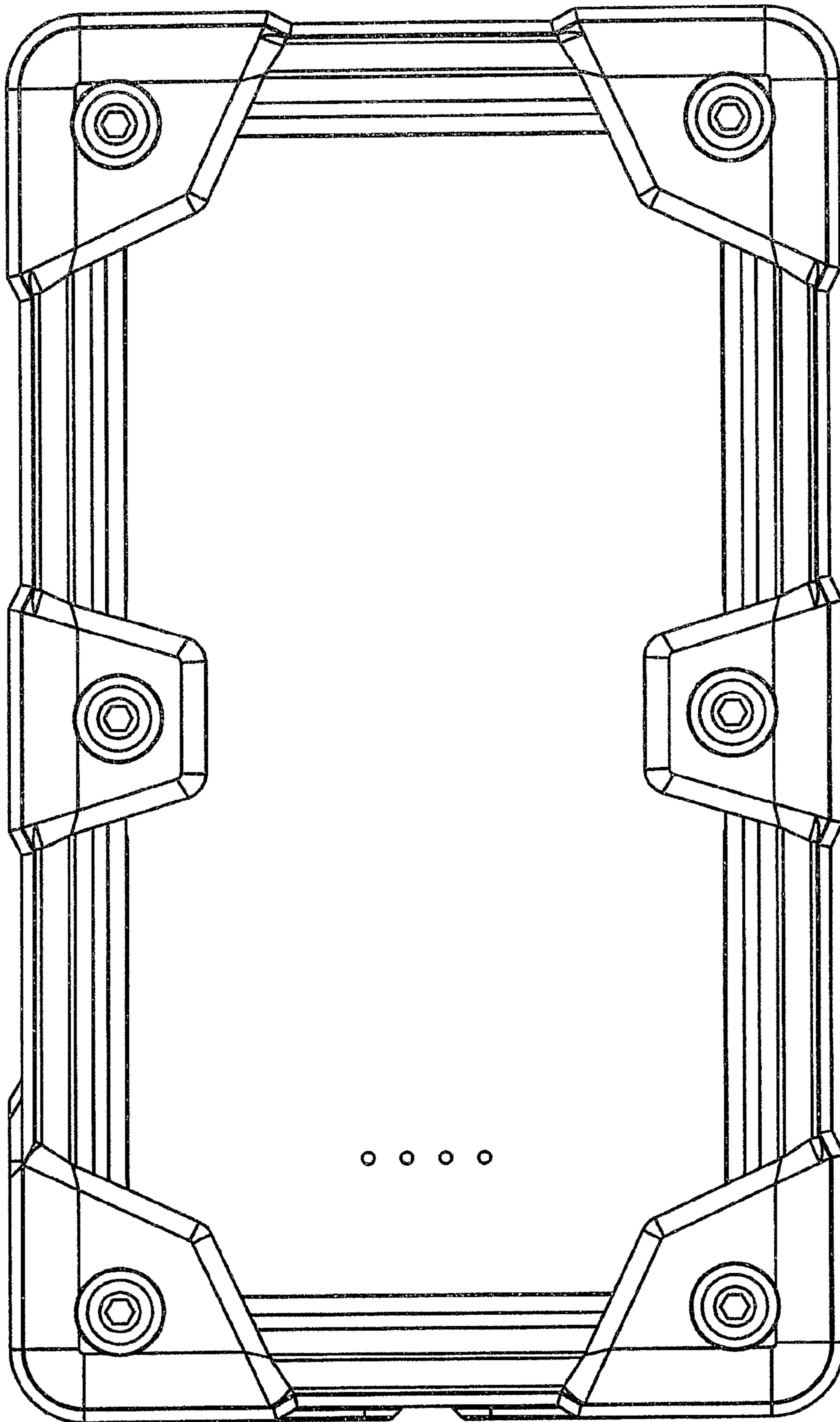
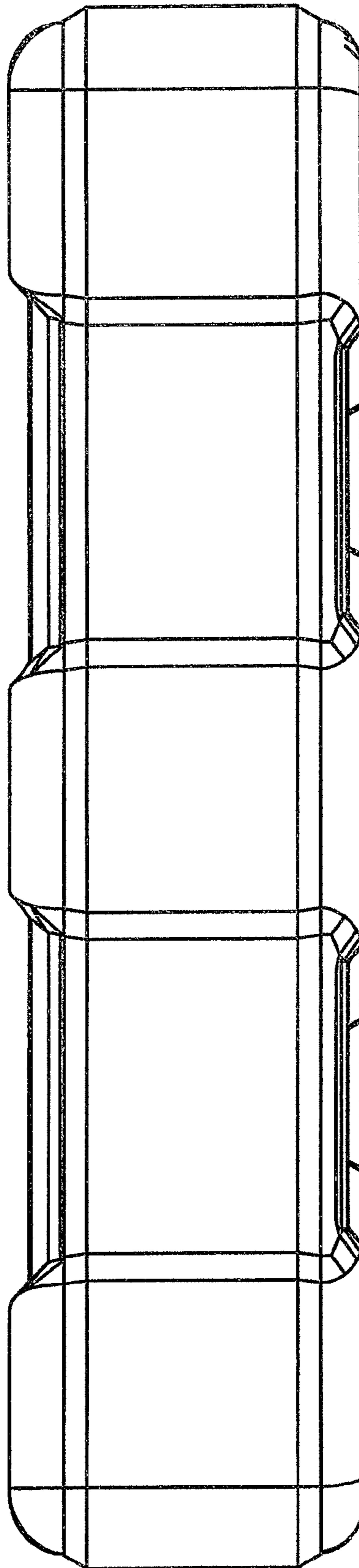


FIGURE 3

FIGURE 4



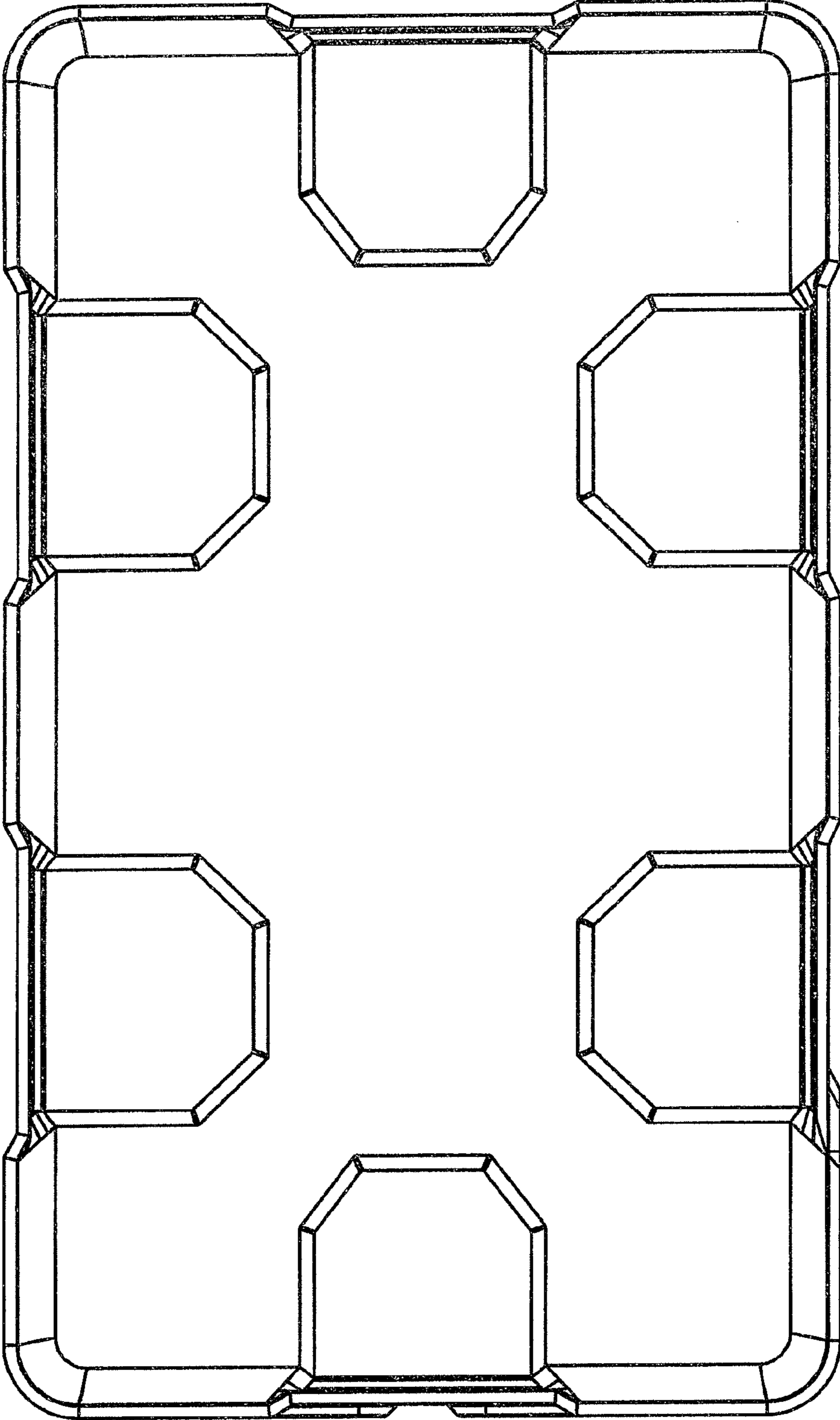


FIGURE 5

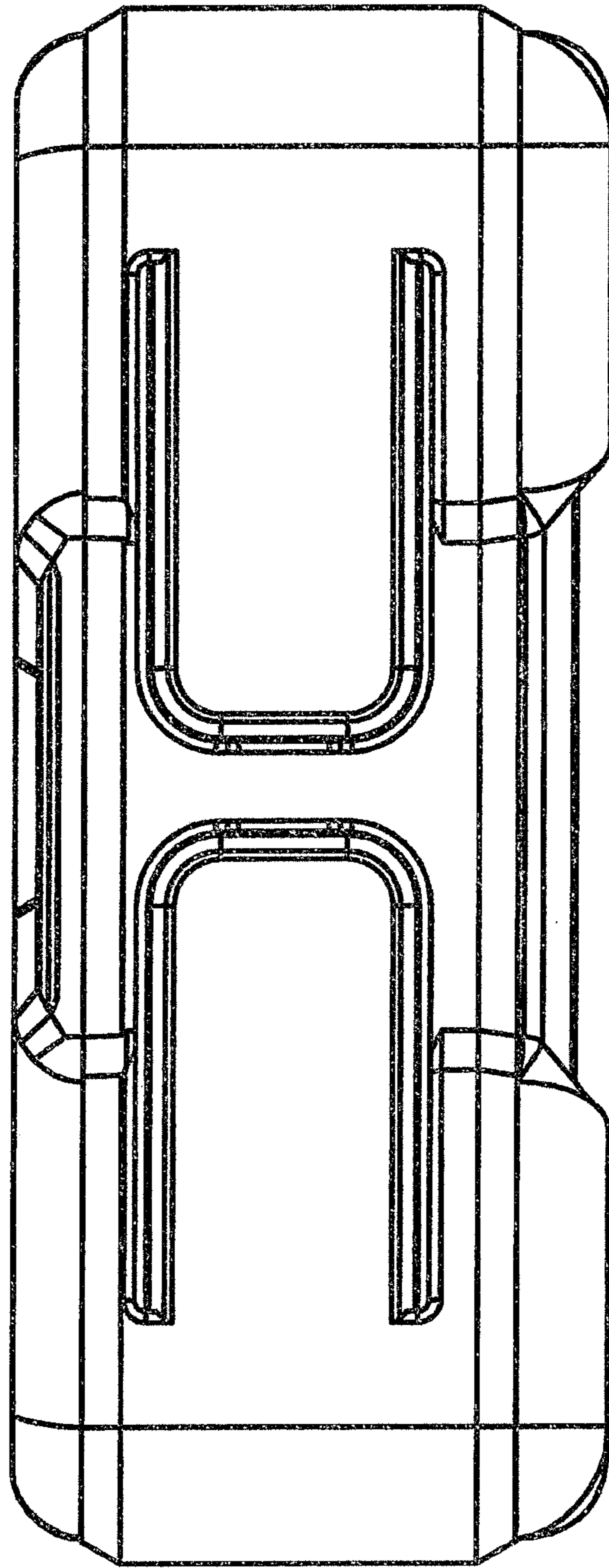


FIGURE 6

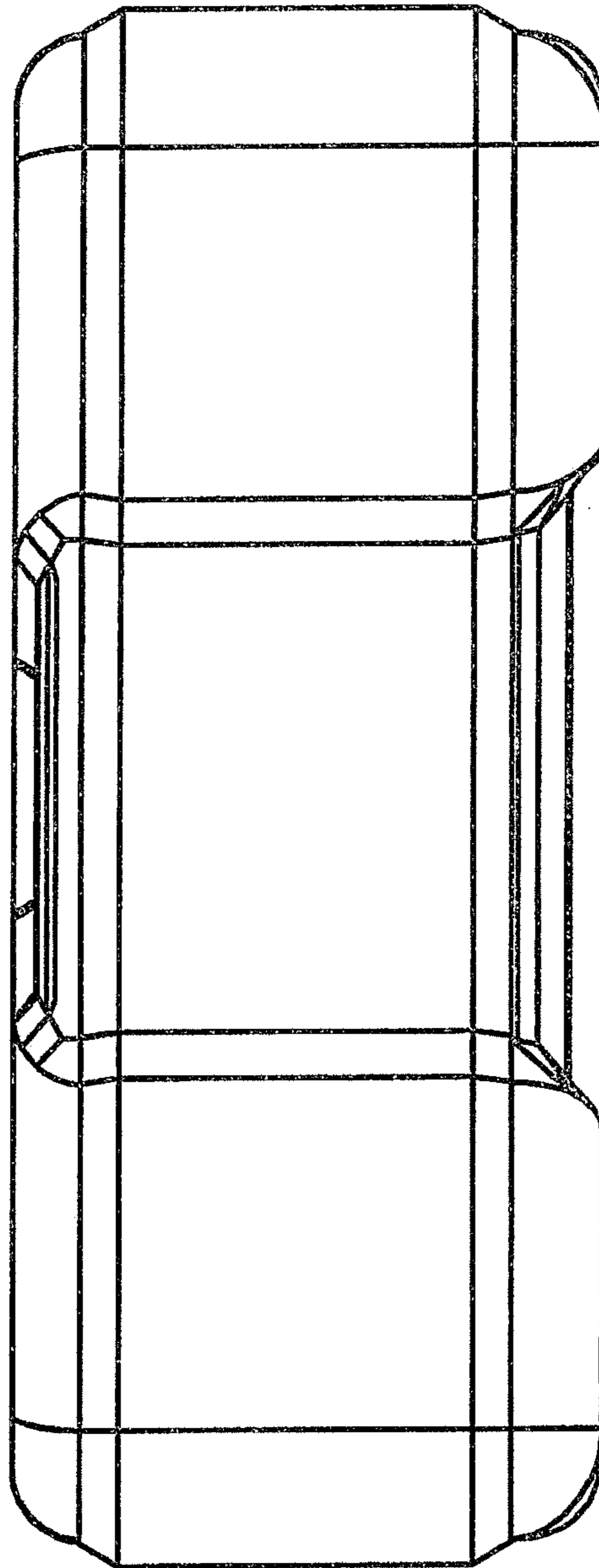


FIGURE 7

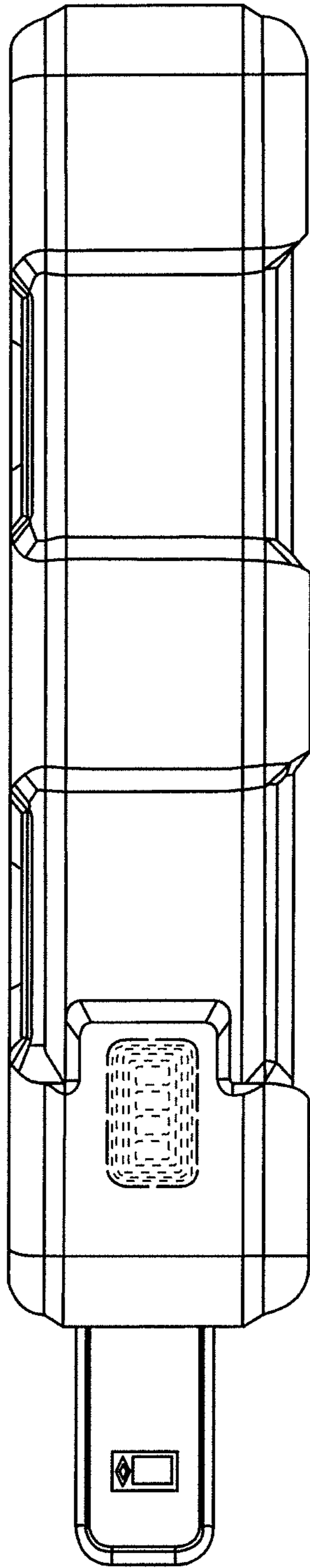


FIG. 8

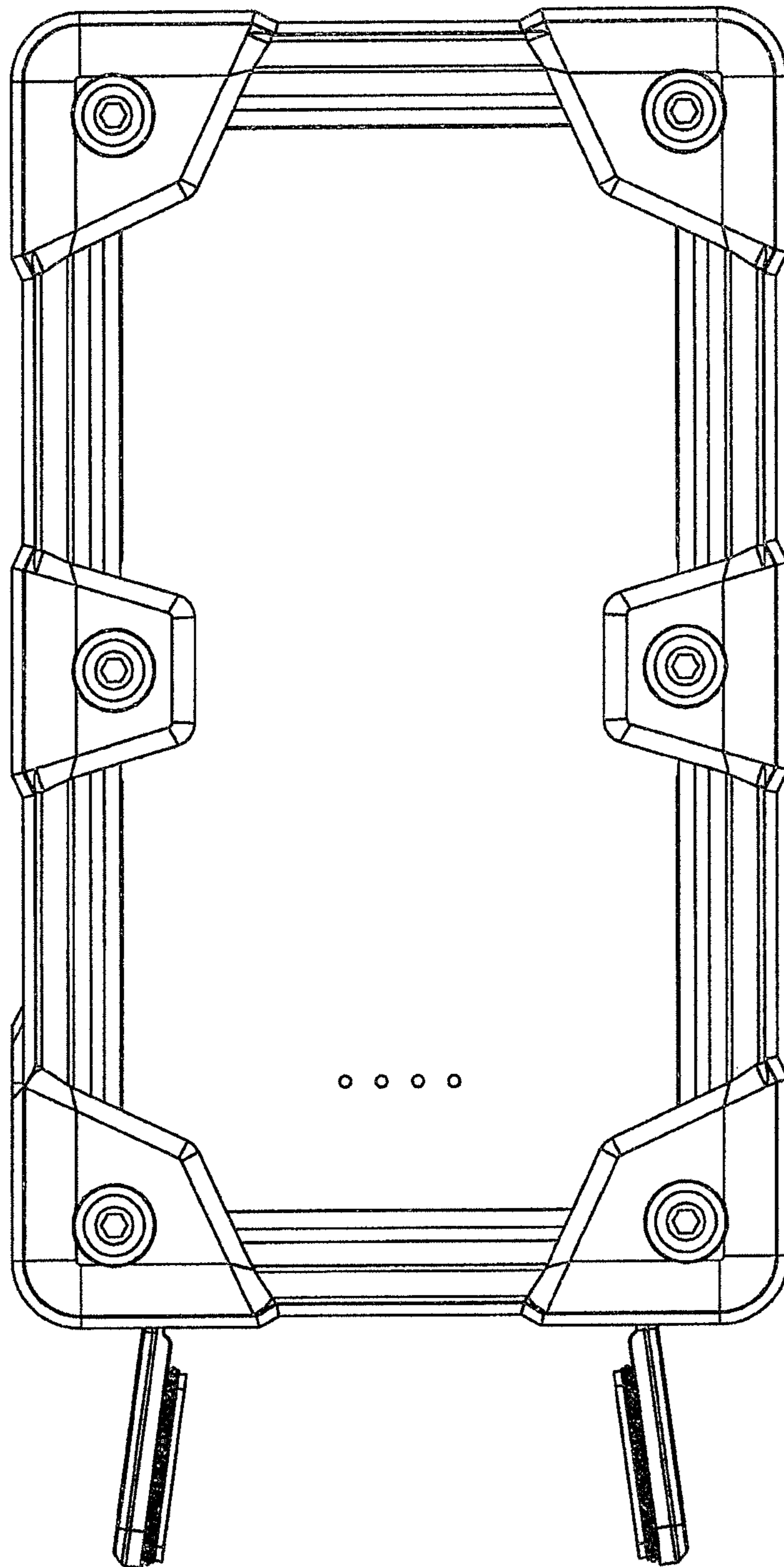


FIGURE 9

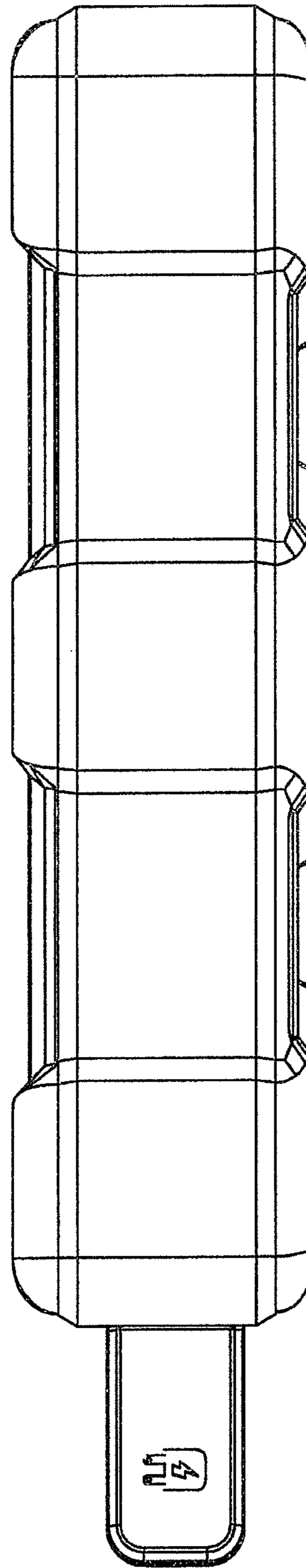


FIGURE 10

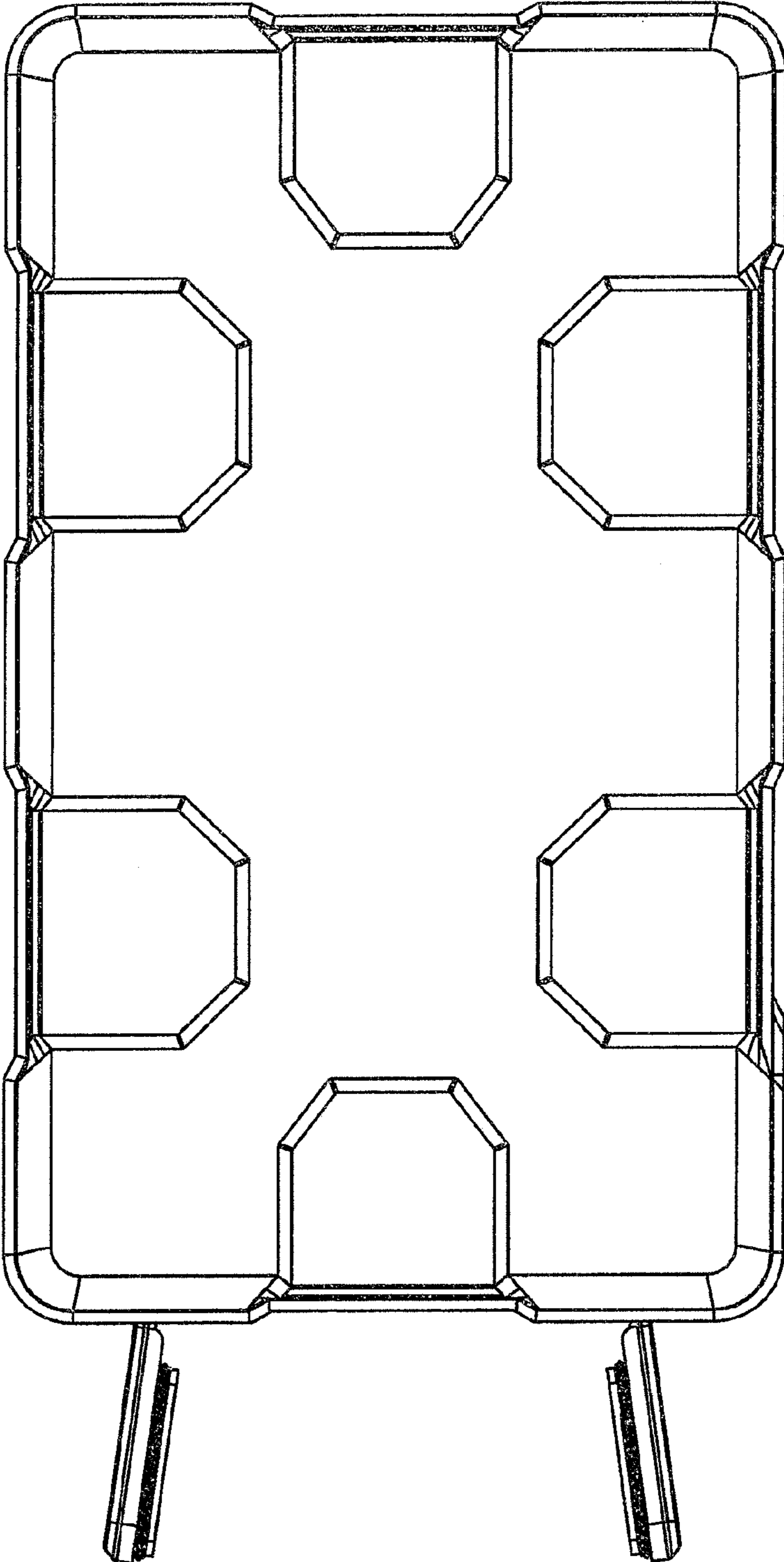


FIGURE 11

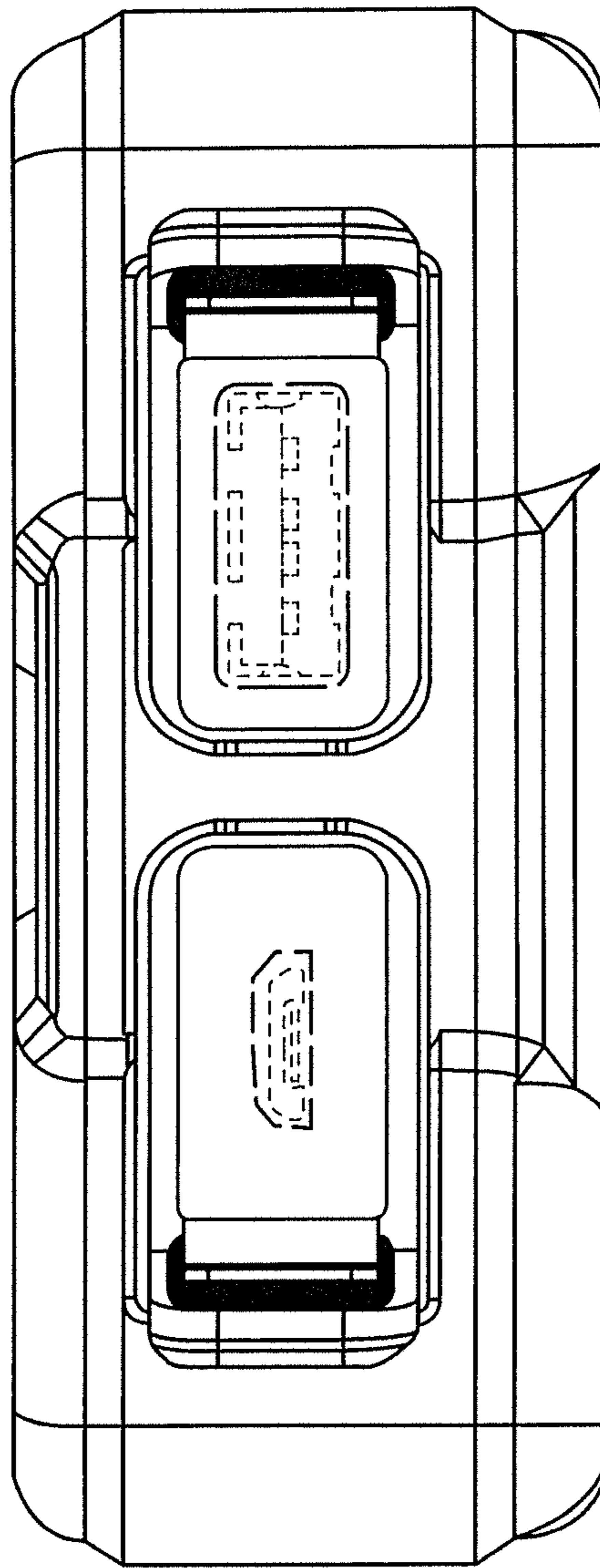


FIG. 12