



US00D711818S

(12) **United States Design Patent**  
**Maki et al.**

(10) **Patent No.:** **US D711,818 S**

(45) **Date of Patent:** **\*\* Aug. 26, 2014**

(54) **BATTERY PACK**

(75) Inventors: **Jake Maki**, Grand Rapids, MI (US);  
**Jianjun Shuang**, Nanjing (CN)

(73) Assignee: **Chervon (HK) Limited**, Hong Kong  
(HK)

(\*\*) Term: **14 Years**

(21) Appl. No.: **29/404,384**

(22) Filed: **Oct. 20, 2011**

(30) **Foreign Application Priority Data**

Apr. 25, 2011 (CN) ..... 2011 3 0088696

(51) **LOC (10) Cl.** ..... **13-02**

(52) **U.S. Cl.**  
USPC ..... **D13/103**

(58) **Field of Classification Search**  
USPC ..... D13/102–106, 110, 118–119, 184;  
429/96–100, 163, 176

See application file for complete search history.

(56) **References Cited**

**U.S. PATENT DOCUMENTS**

D306,573 S *	3/1990	Schultz	.....	D13/103
D306,574 S *	3/1990	Schultz	.....	D13/103
D320,379 S *	10/1991	Culbertson	.....	D13/103
D384,031 S *	9/1997	Lui	.....	D13/103
D384,032 S *	9/1997	Lui	.....	D13/103
D399,819 S *	10/1998	Iida	.....	D13/103
D405,766 S *	2/1999	Hartel et al.	.....	D13/184
D483,012 S *	12/2003	Hsu	.....	D13/103
D488,436 S *	4/2004	Wulff	.....	D13/103
D494,541 S *	8/2004	Hriscu et al.	.....	D13/110
D504,659 S *	5/2005	Voli et al.	.....	D13/103
D554,579 S *	11/2007	Ogasawara	.....	D13/103
D559,175 S *	1/2008	Houghton	.....	D13/103
D562,235 S *	2/2008	Hussaini et al.	.....	D13/110

D576,545 S *	9/2008	Mandel et al.	.....	D13/103
D580,351 S *	11/2008	Elsmark et al.	.....	D13/103
D588,058 S *	3/2009	Obata	.....	D13/103
D597,482 S *	8/2009	Kondo et al.	.....	D13/103
D604,235 S *	11/2009	Tarter	.....	D13/103
D614,125 S *	4/2010	Tinius	.....	D13/103
D618,167 S *	6/2010	Tiffe	.....	D13/103
D623,126 S *	9/2010	Contreras	.....	D13/103
D629,746 S *	12/2010	Workman et al.	.....	D13/103
D635,507 S *	4/2011	Ueda et al.	.....	D13/103
D639,729 S *	6/2011	Cullen et al.	.....	D13/103

\* cited by examiner

*Primary Examiner* — Rosemary K Tarcza

(74) *Attorney, Agent, or Firm* — Greenberg Traurig, LLP

(57) **CLAIM**

What is claimed is the ornamental design for a battery pack, as shown and described.

**DESCRIPTION**

FIG. 1 is a front elevational view of a battery pack showing our new design;

FIG. 2 is a rear elevational view of the battery pack shown in FIG. 1;

FIG. 3 is a left side elevational view of the battery pack shown in FIG. 1;

FIG. 4 is a right side elevational view of the battery pack shown in FIG. 1;

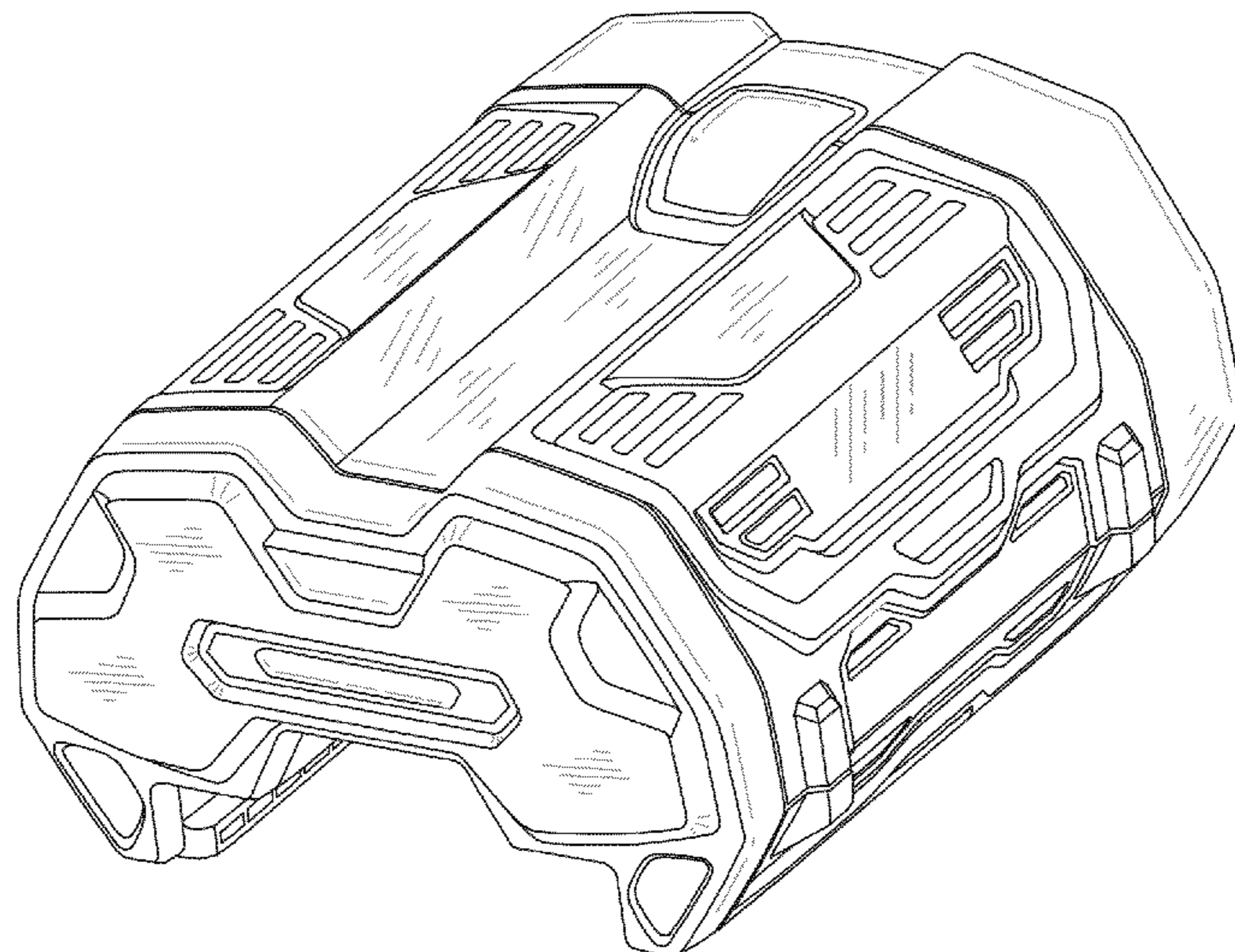
FIG. 5 is a top plan view of the battery pack shown in FIG. 1;

FIG. 6 is a bottom plan view of the battery pack shown in FIG. 1; and,

FIG. 7 is a perspective view of the battery pack shown in FIG. 1.

Any elements shown in dotted and/or dashed lines are provided for illustrative purposes only and form no part of the design claimed. Any surface shading is used solely to show the character or contour of the surfaces represented.

**1 Claim, 5 Drawing Sheets**



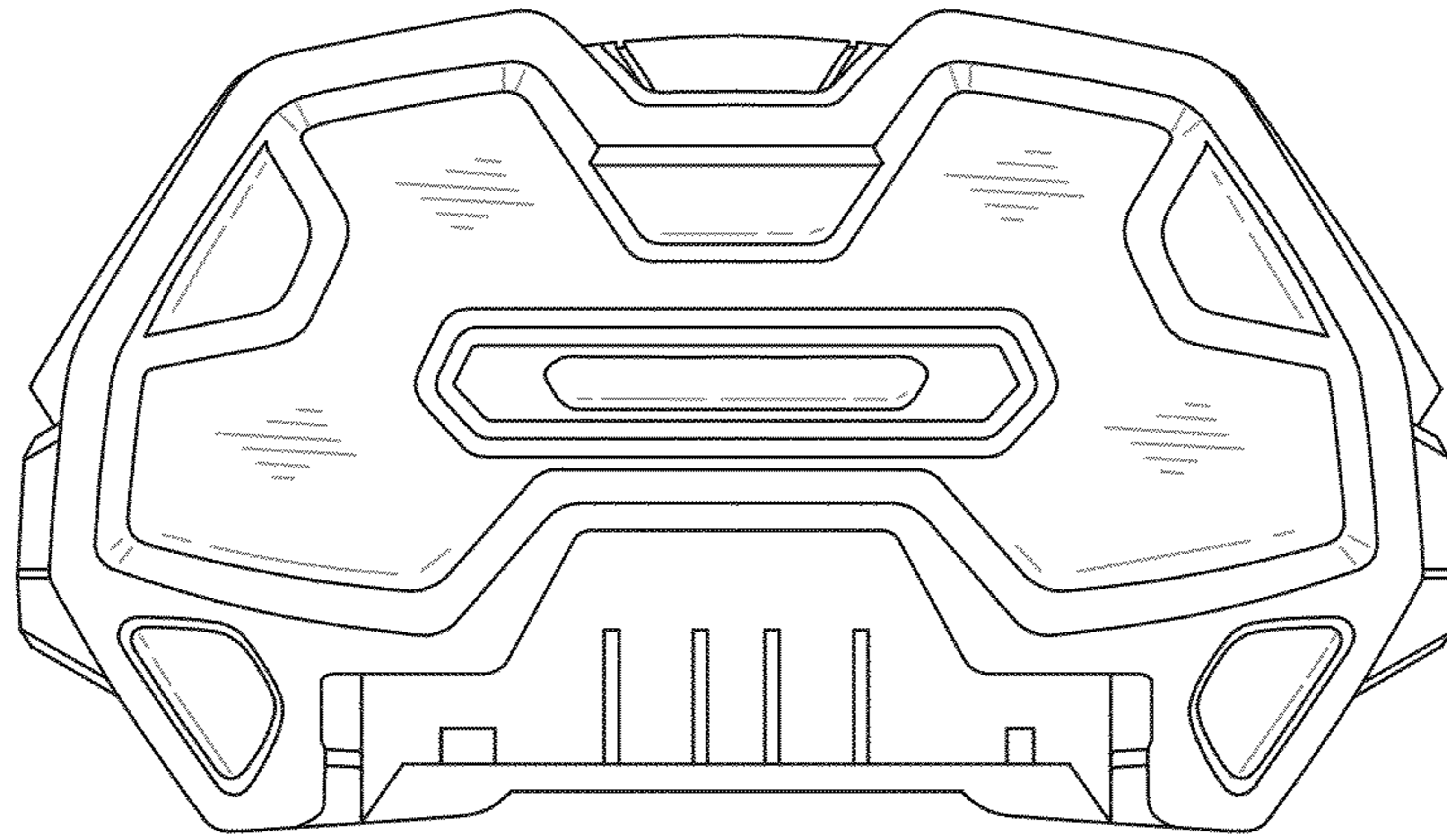


Fig. 1

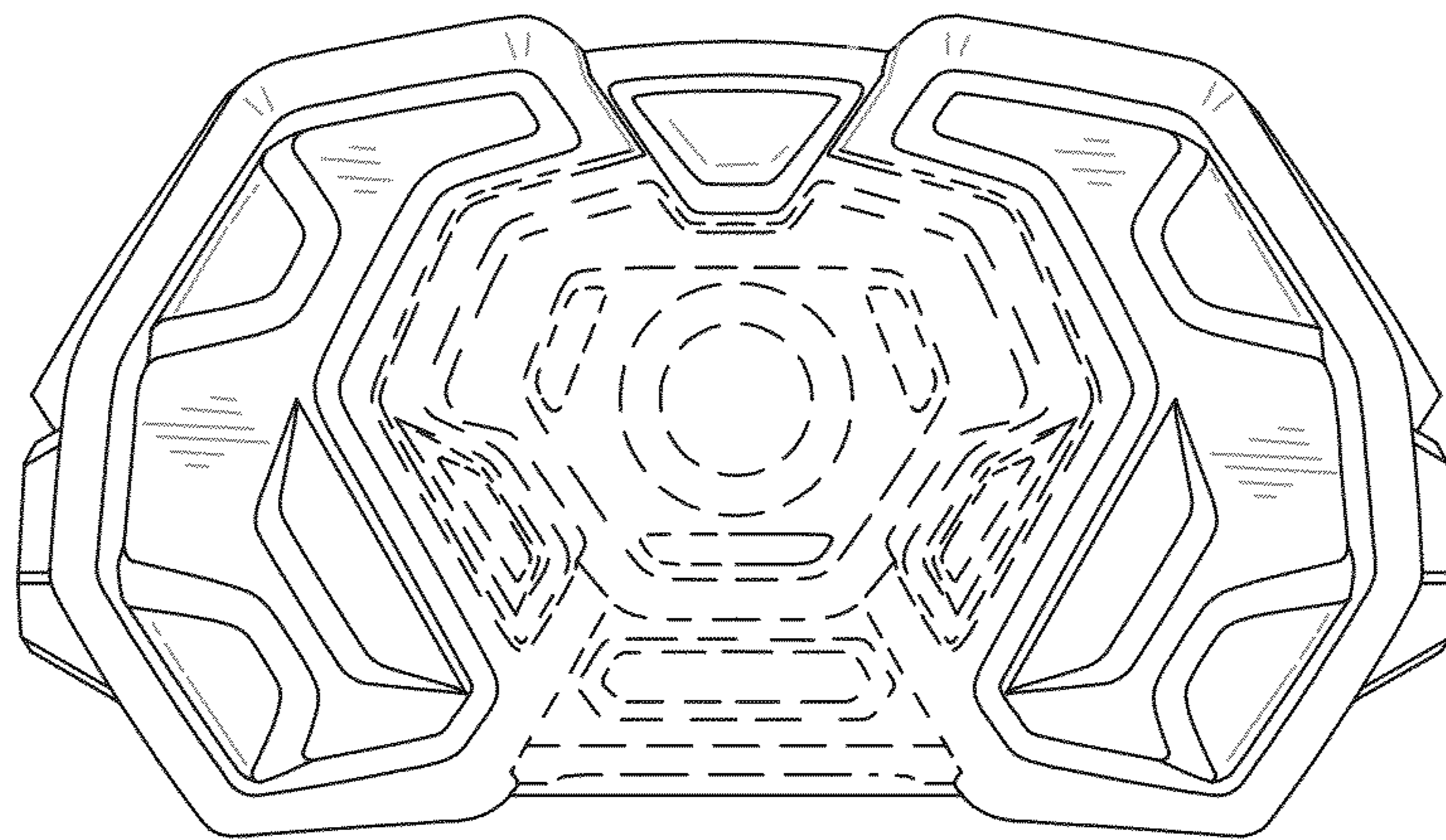


Fig. 2



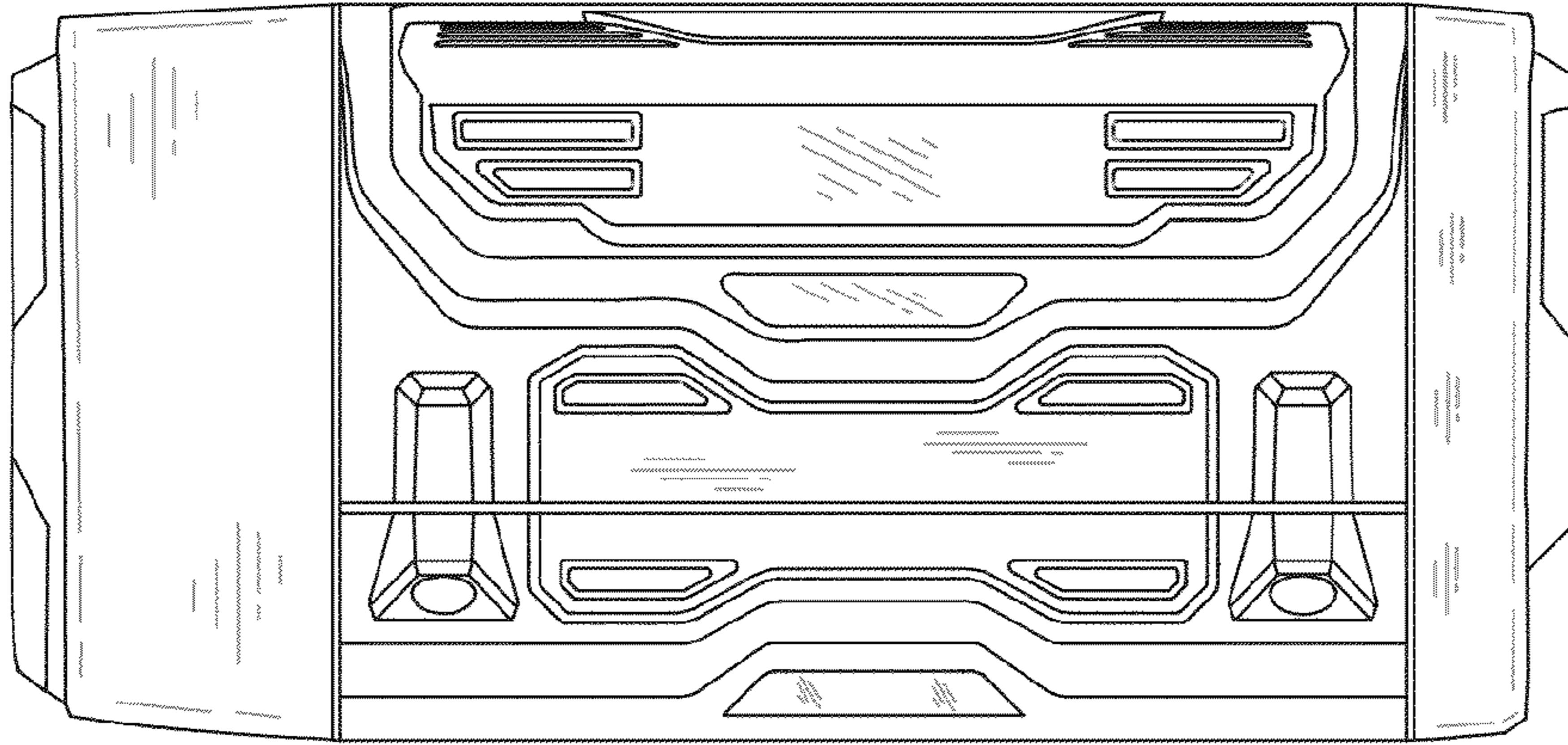


Fig. 3

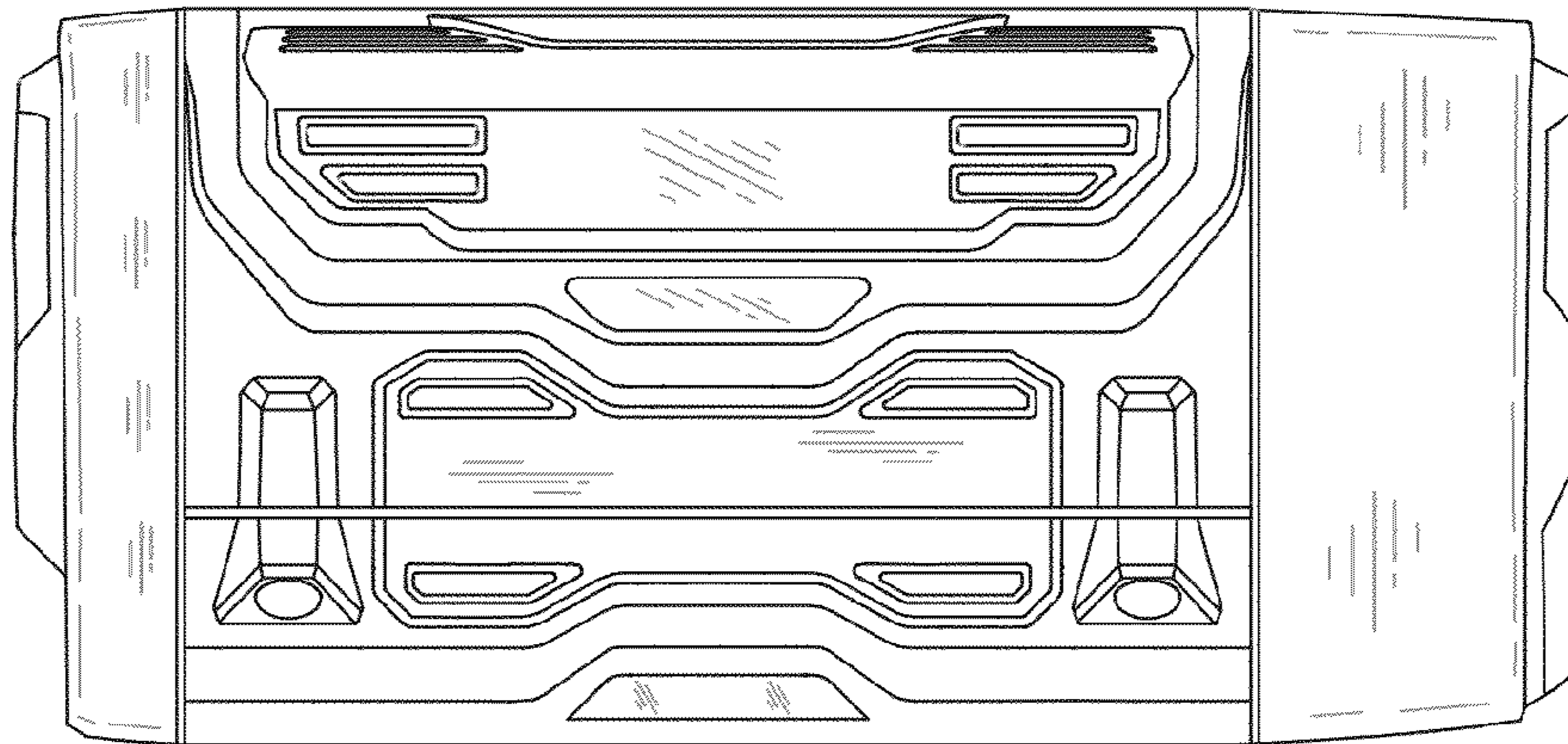


Fig. 4

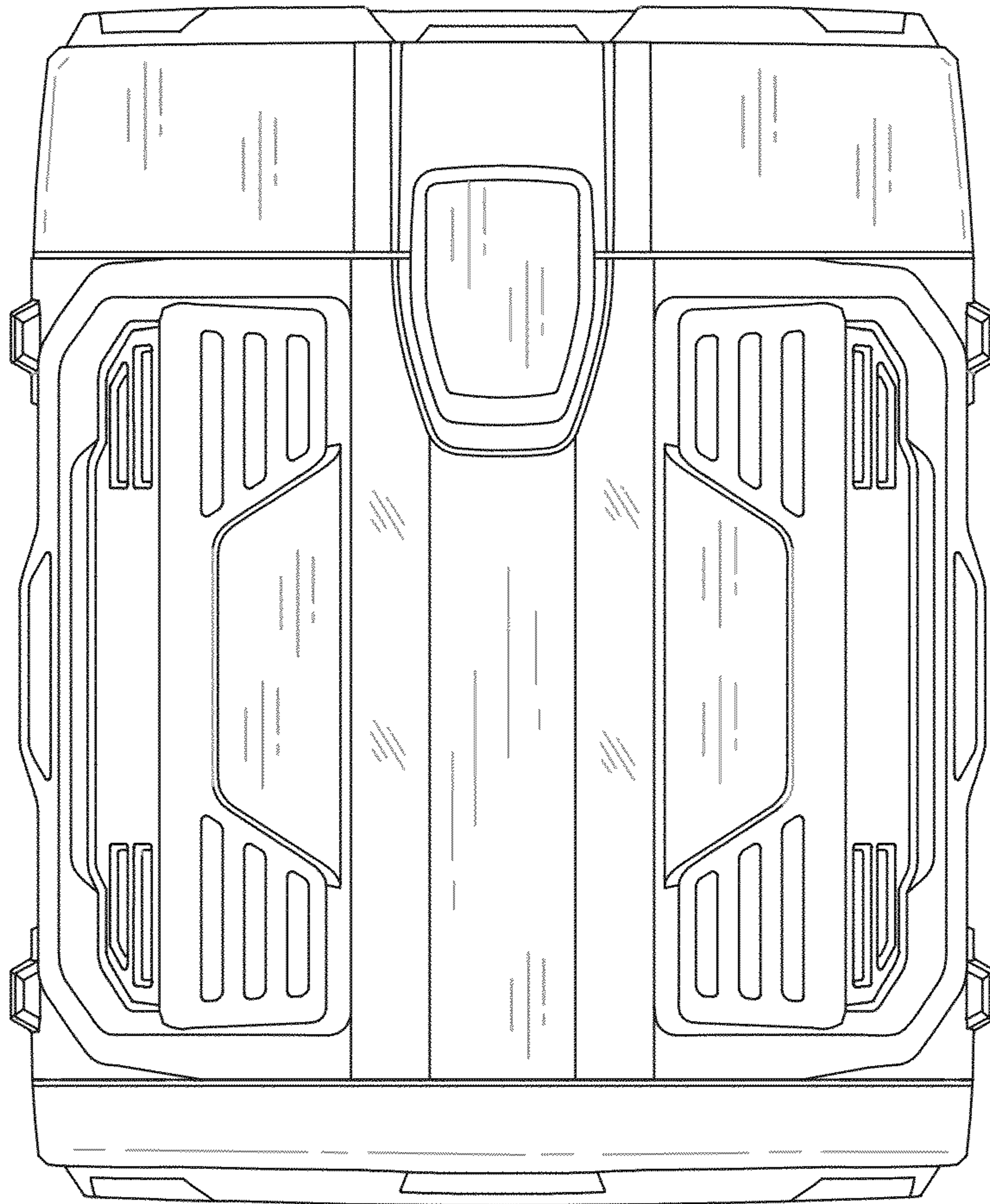


Fig. 5

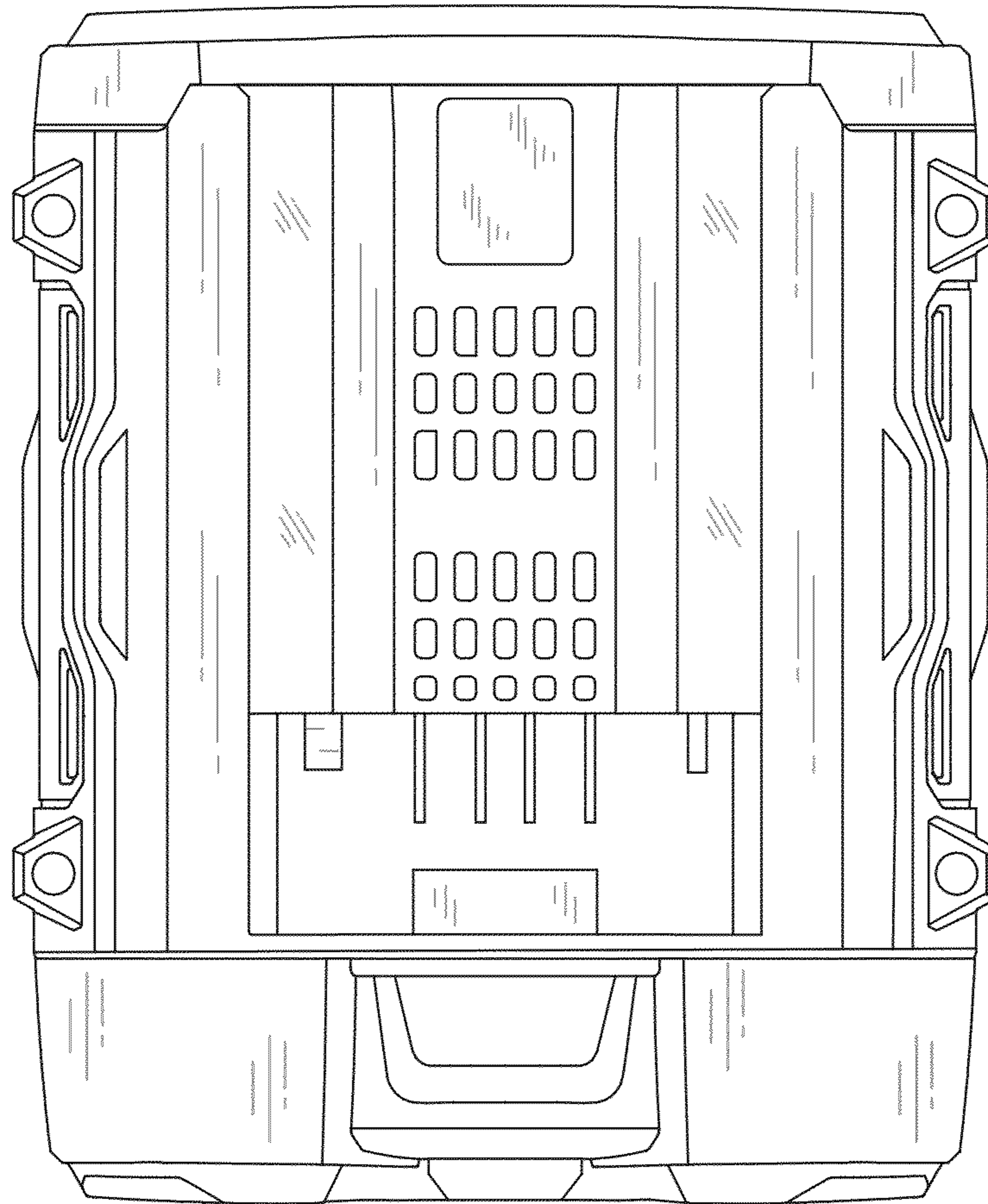


Fig. 6



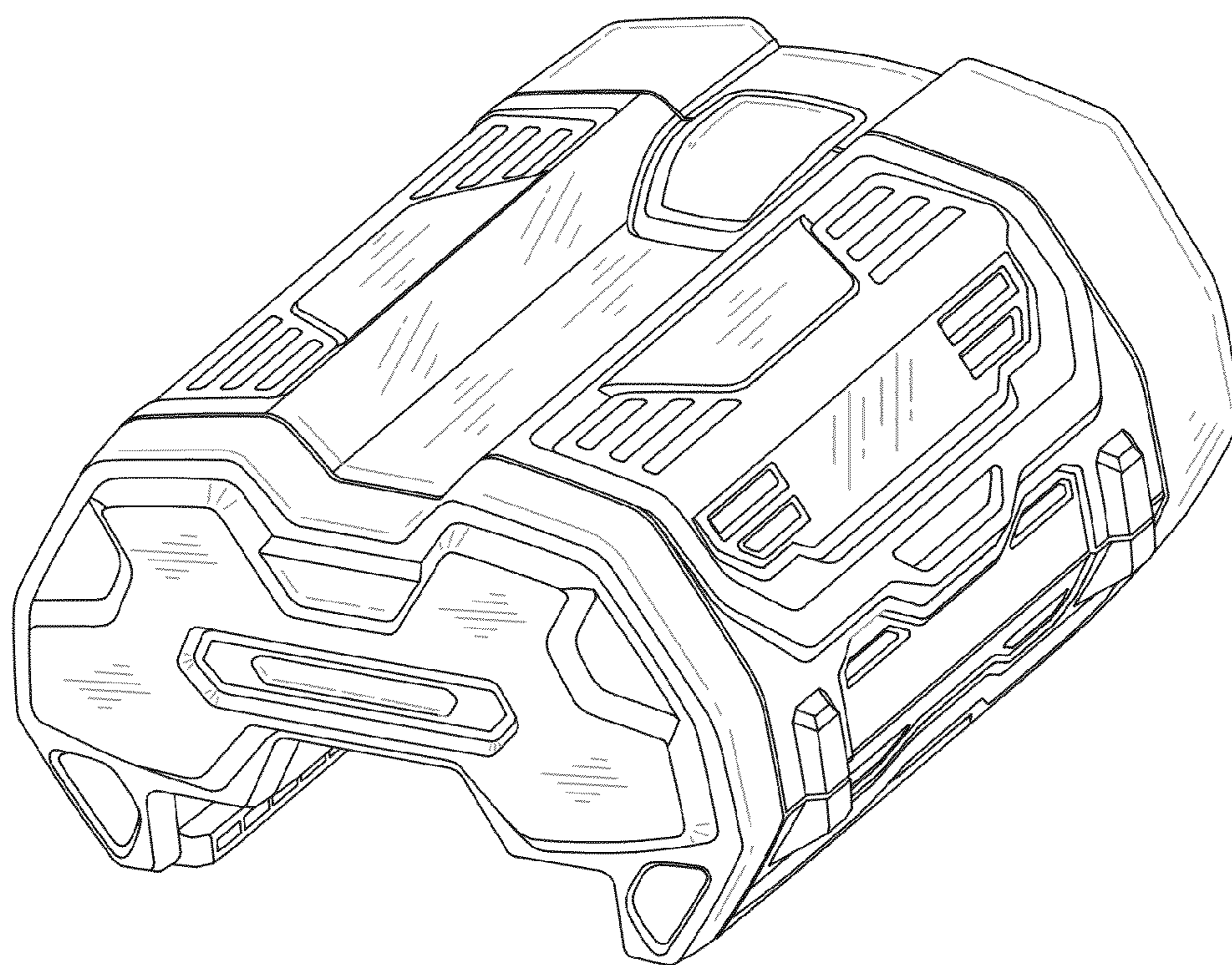


Fig. 7