



US00D711809S

(12) **United States Design Patent**
Gasper

(10) **Patent No.:** **US D711,809 S**
(45) **Date of Patent:** **** Aug. 26, 2014**

- (54) **WAKE TOWER**
- (71) Applicant: **Malibu Boats, LLC**, Merced, CA (US)
- (72) Inventor: **Daniel Lee Gasper**, Atwater, CA (US)
- (73) Assignee: **Malibu Boats LLC**, Merced, CA (US)
- (**) Term: **14 Years**
- (21) Appl. No.: **29/461,925**
- (22) Filed: **Jul. 29, 2013**

3,034,470 A	5/1962	Vanderfeltz et al.
D195,068 S	4/1963	Griparis
3,122,609 A	2/1964	Moore

(Continued)

FOREIGN PATENT DOCUMENTS

JP	04-071985	3/1992
JP	07-277274	10/1995
JP	2001-294195	10/2001

OTHER PUBLICATIONS

Various pages from *Wake Boarding Magazine*, from Dec. 2000 and earlier.

(Continued)

Related U.S. Application Data

- (60) Division of application No. 29/432,469, filed on Sep. 14, 2012, now Pat. No. Des. 686,970, which is a continuation of application No. 29/430,440, filed on Aug. 24, 2012, now Pat. No. Des. 678,168, which is a division of application No. 29/356,573, filed on Feb. 26, 2010, now Pat. No. Des. 666,135.

Primary Examiner — Cynthia M Chin

(74) *Attorney, Agent, or Firm* — Knobbe, Martens, Olson & Bear LLP

- (51) **LOC (10) Cl.** **12-06**
- (52) **U.S. Cl.**
USPC **D12/317**

(57) **CLAIM**

The ornamental design for a wake tower, as shown and described.

- (58) **Field of Classification Search**
CPC B63B 21/00; B63B 21/04; B63B 21/16;
B63B 21/56; B63B 21/58; B63B 21/62;
B63B 21/64; B63B 21/66; B63B 17/00;
B63B 17/02; B63B 35/815; B63B 35/816;
B63B 35/817
USPC D12/300, 301, 310-314, 317, 318, 114;
114/242, 247, 249, 250, 253, 254, 343,
114/361, 364
See application file for complete search history.

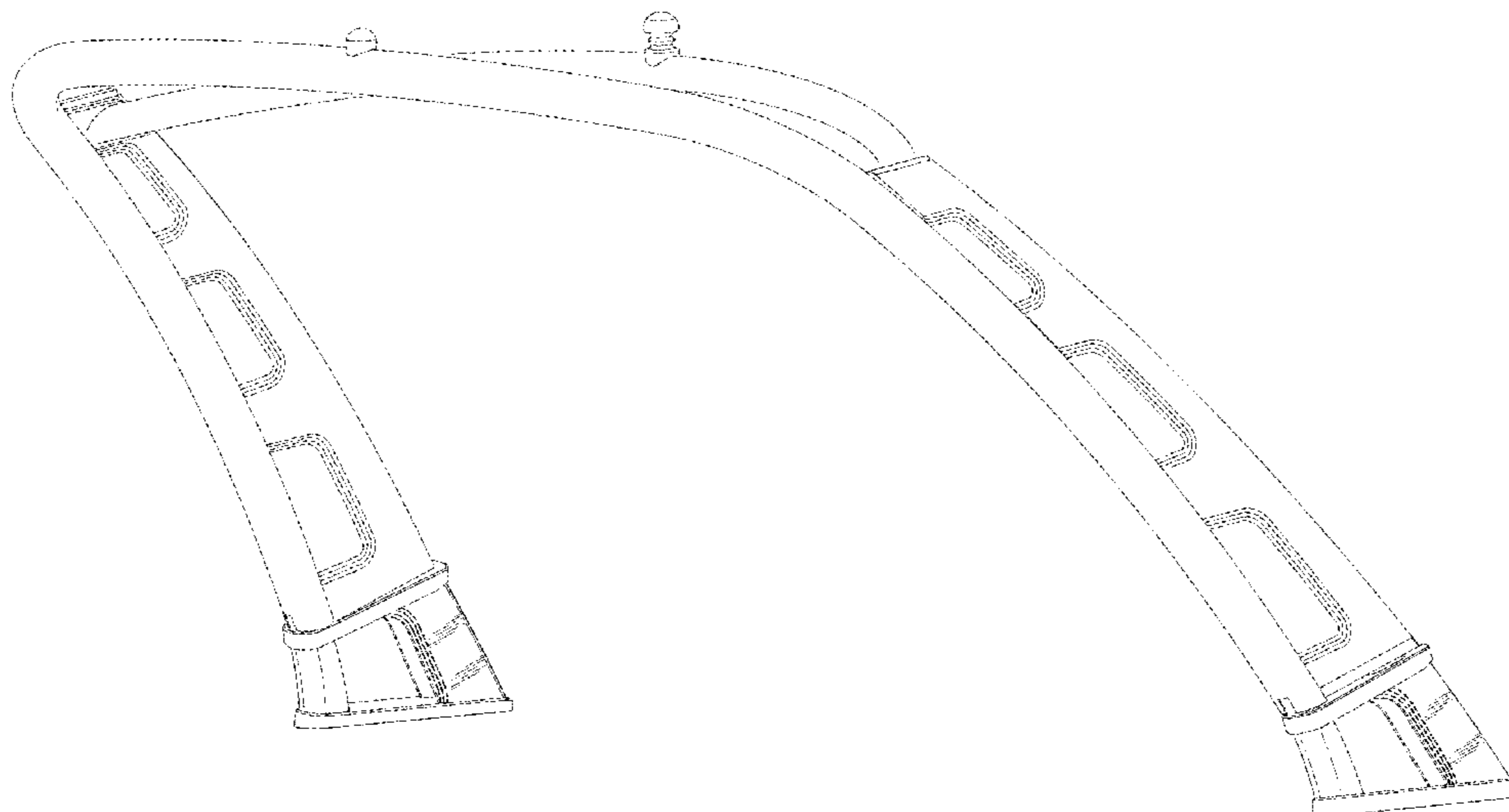
DESCRIPTION

FIG. 1 is a front perspective view of a wake tower showing the new design;
 FIG. 2 is a front view thereof;
 FIG. 3 is a bottom view thereof;
 FIG. 4 is a left-side view thereof;
 FIG. 5 is a right-side view thereof;
 FIG. 6 is top view thereof;
 FIG. 7 is a rear view thereof; and,
 FIG. 8 is a rear perspective view thereof.
 The broken lines immediately adjacent the shaded areas represent the bounds of the claim and all other broken lines represent unclaimed portions of the design. None of the broken lines form a part of the claimed design.

- (56) **References Cited**
U.S. PATENT DOCUMENTS

2,524,188 A	10/1950	Christie
2,821,726 A	2/1958	Correll
2,997,188 A	8/1961	Hauser

1 Claim, 8 Drawing Sheets



(56)

References Cited

U.S. PATENT DOCUMENTS

3,336,894 A 8/1967 Eisner
 3,352,275 A 11/1967 Wilson
 3,503,358 A 3/1970 Moesly
 3,724,595 A 4/1973 Green
 3,802,374 A 4/1974 Brown
 3,811,143 A 5/1974 Page
 3,890,918 A 6/1975 Sell
 3,919,963 A 11/1975 Cox, III
 3,925,836 A 12/1975 Simmonds
 3,935,830 A 2/1976 Cox
 3,949,698 A 4/1976 Sell
 3,965,837 A 6/1976 Michael
 3,987,746 A 10/1976 McCulloh
 4,033,280 A 7/1977 Wood et al.
 4,163,529 A 8/1979 Krenzer et al.
 4,341,177 A 7/1982 Miyazaki et al.
 4,453,482 A 6/1984 Barker
 4,528,927 A 7/1985 Iizuka et al.
 4,561,375 A 12/1985 Paxton
 4,593,641 A 6/1986 Adams et al.
 D284,754 S * 7/1986 Shields D12/317
 4,641,597 A 2/1987 Paxton
 4,694,773 A 9/1987 Sparkes et al.
 4,893,577 A 1/1990 Jennings
 5,018,474 A 5/1991 Jellen
 5,050,517 A 9/1991 Kobayashi
 5,052,326 A 10/1991 Wiggen et al.
 5,105,754 A 4/1992 Collins
 5,215,025 A 6/1993 Talmor
 5,417,178 A 5/1995 Harrelson, II
 5,453,572 A * 9/1995 Kobayashi et al. 114/242
 5,520,133 A 5/1996 Wiegert
 5,520,139 A 5/1996 King et al.
 5,645,003 A 7/1997 Grinde
 5,669,325 A 9/1997 Feikema
 5,673,507 A 10/1997 Stokes, Jr.
 D395,866 S 7/1998 Fowler et al.
 5,787,835 A 8/1998 Remnant
 5,860,766 A 1/1999 Lochtefeld et al.
 D409,972 S 5/1999 Todd
 5,934,217 A 8/1999 Allsop
 5,943,977 A 8/1999 Womack et al.
 5,979,350 A 11/1999 Larson et al.
 6,044,788 A 4/2000 Larson et al.
 6,192,819 B1 2/2001 Larson et al.
 D442,910 S 5/2001 Metcalf
 6,374,762 B1 4/2002 Larson et al.
 RE37,823 E 9/2002 Larson et al.
 D462,932 S 9/2002 Larson
 D474,144 S 5/2003 Zsido
 D480,349 S 10/2003 Carlton
 6,666,159 B2 12/2003 Larson et al.
 D486,441 S 2/2004 Metcalf
 D489,314 S 5/2004 Metcalf
 6,792,888 B1 9/2004 Metcalf
 6,865,999 B2 3/2005 Bierbower, Jr.

6,986,321 B2 1/2006 Metcalf
 7,013,830 B1 3/2006 Wayne
 D534,855 S 1/2007 Metcalf
 7,219,617 B2 5/2007 Metcalf
 D551,154 S 9/2007 Metcalf
 D555,545 S 11/2007 Peek
 7,299,761 B2 11/2007 Larson et al.
 7,302,907 B2 12/2007 Carlton
 7,392,758 B2 7/2008 Metcalf
 D605,575 S 12/2009 Oswell et al.
 D611,397 S 3/2010 Oswell et al.
 7,699,016 B2 4/2010 Snook et al.
 D658,566 S 5/2012 Gros
 8,171,874 B2 5/2012 Gasper
 8,196,542 B2 6/2012 Oswell et al.
 D664,495 S 7/2012 Oswell et al.
 D666,135 S 8/2012 Gasper
 D669,835 S 10/2012 Gros
 D678,168 S 3/2013 Gasper
 D679,236 S * 4/2013 Gros et al. D12/300
 D686,968 S 7/2013 Gasper
 D686,970 S 7/2013 Gasper
 8,485,119 B2 7/2013 Gasper
 8,495,967 B2 * 7/2013 Williams et al. 114/361
 8,555,802 B2 * 10/2013 Oswell et al. 114/364
 2004/0144295 A1 7/2004 Bierbower, Jr.
 2004/0187764 A1 9/2004 Eck et al.
 2006/0180072 A1 8/2006 Metcalf
 2007/0137554 A1 * 6/2007 Metcalf 114/364
 2009/0314194 A1 12/2009 Metcalf
 2010/0162937 A1 7/2010 Larson et al.
 2010/0319603 A1 12/2010 Oswell et al.
 2011/0139057 A1 6/2011 Metcalf

OTHER PUBLICATIONS

Various pages from *Wake Board and Water Ski Business*, Fall 1998 Trade Show Issue.
 The University of Florida, *Intercollegiate Activity*, pub. Jul. 1981, p. 69.
 Various pages from *Water Ski*, from Dec. 1998 and earlier.
 Various pages from *Sport Fishing*, from Mar. 1996 and earlier.
 Various pages from *Marlin*, from Jul. 1996.
 Photographs, circa 1950, Cypress Gardens, FL archives.
 Photograph, circa 1948, Earl "Pappy" Hollowell, Panorama City.
 "How to Buy a Wakeboard Tower or Towers," downloaded Jul. 9, 2009 from www.wakeboarder.com/features/buy_a_wakeboardtower.phtml, 8 pages.
 U.S. Appl. No. 13/940,700, filed Jul. 12, 2013, Gasper.
 Joystick downloaded from www.joystickpylons.com on Dec. 12, 1998.
 Excerpt from *Water Skier Yearbook*, American Water Ski Association, Aug. 1963.
 Excerpt from Pope, *Water Skiing*, at least as early as Jan. 2009.
 Excerpt from Taco Supply Marine Catalog, 1987-1988.
 Illusion XS Tower, at least as early as Jan. 2009.

* cited by examiner

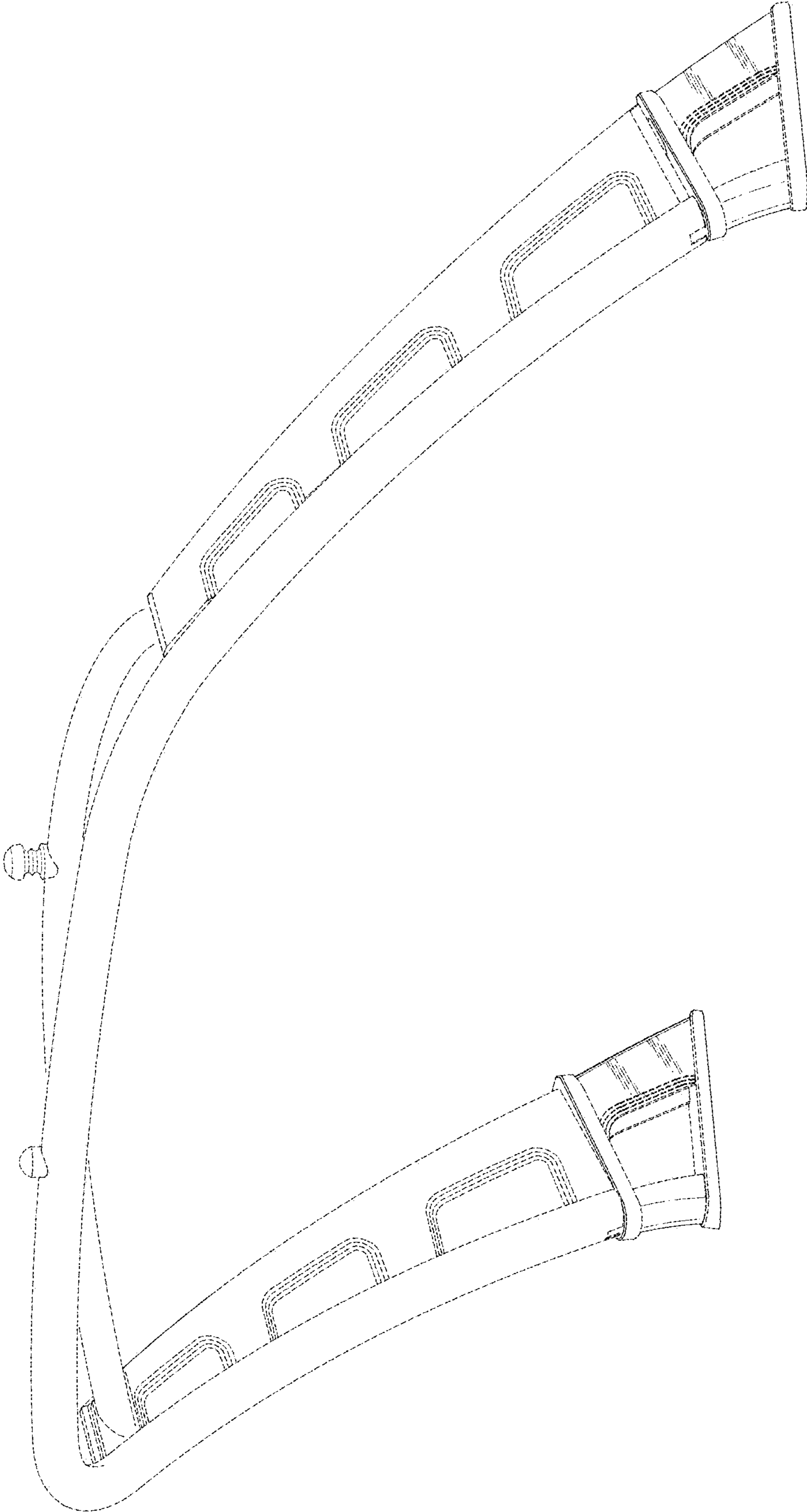


FIG. 1

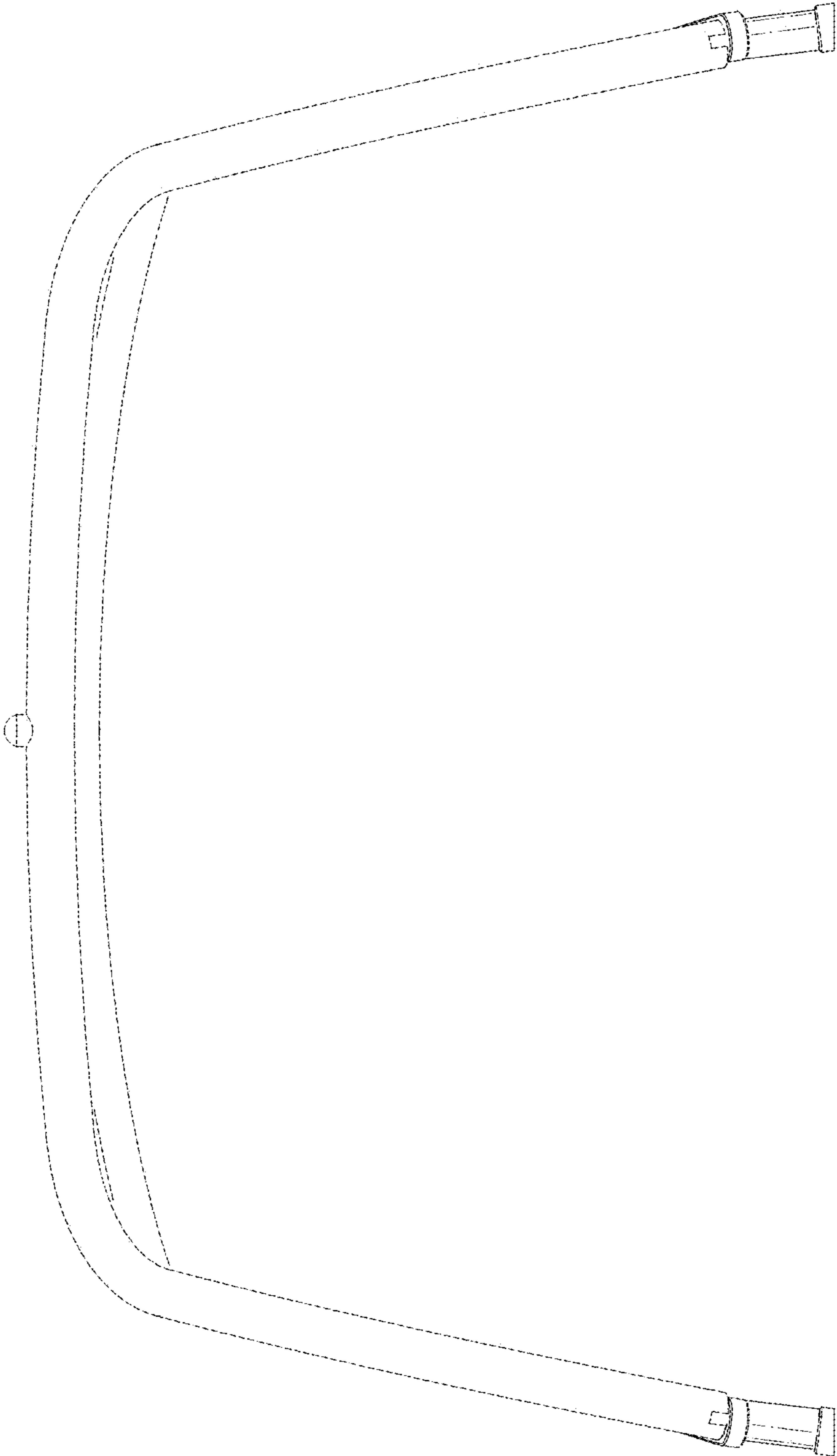


FIG. 2

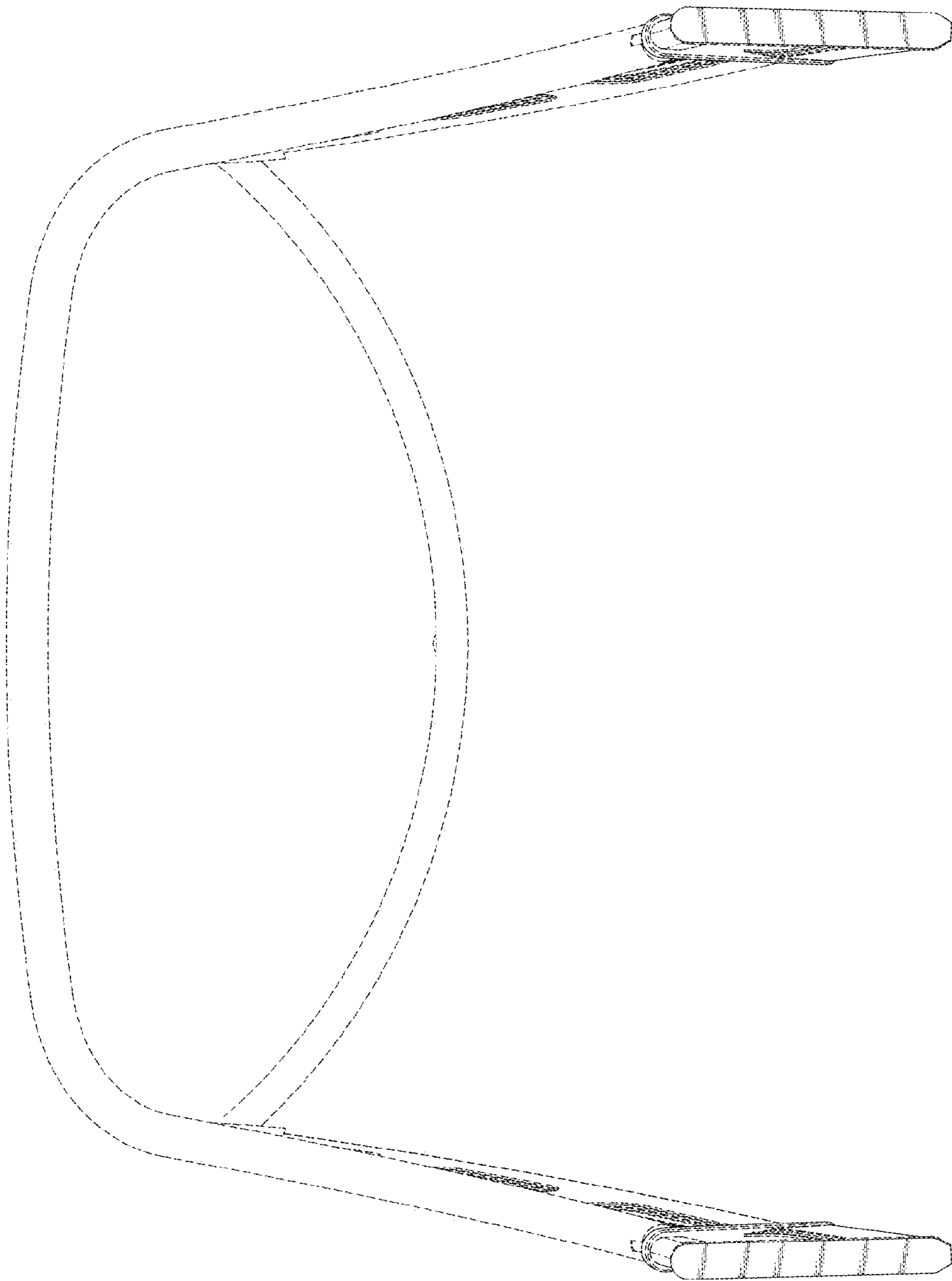


FIG. 3

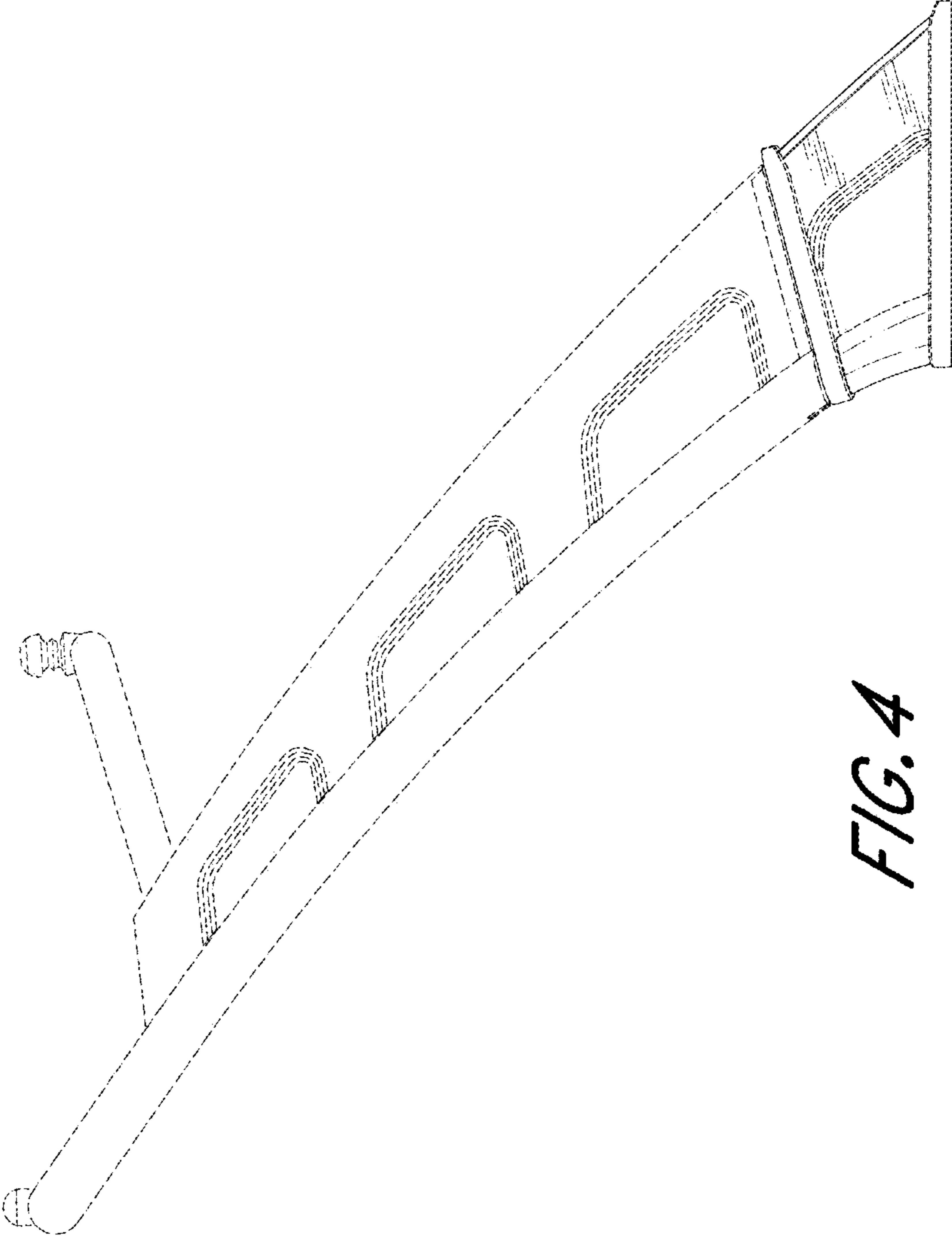


FIG. 4

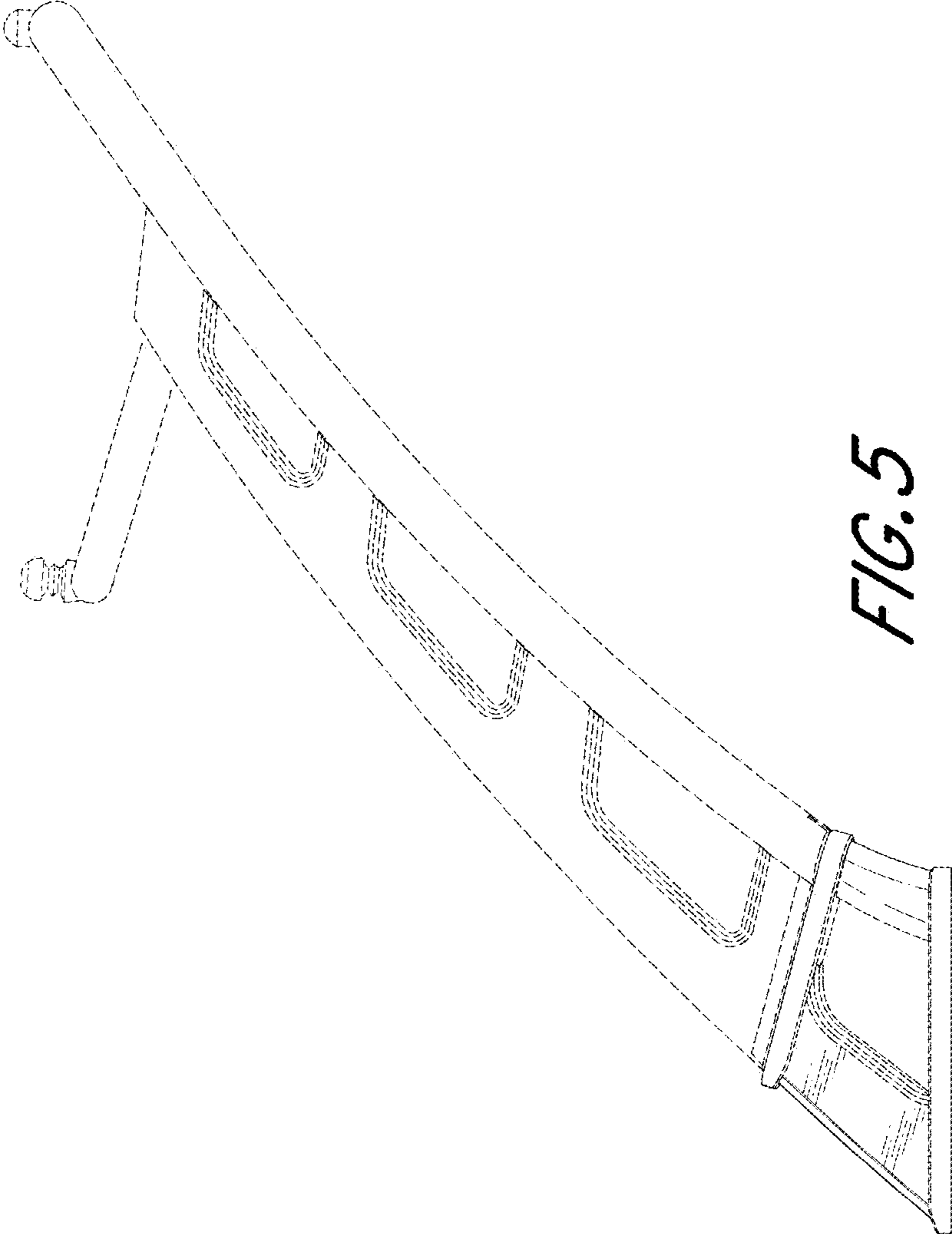


FIG. 5

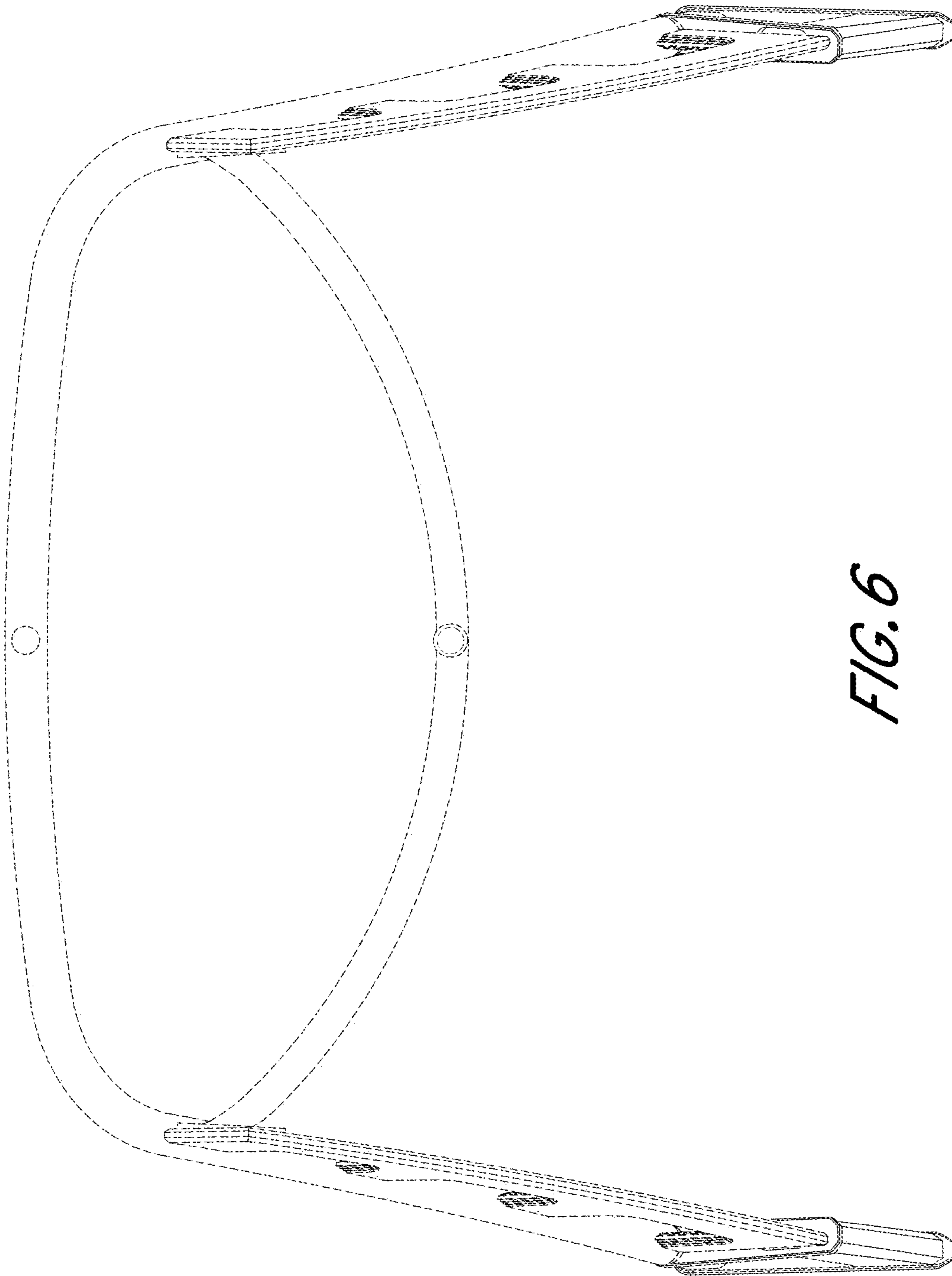


FIG. 6

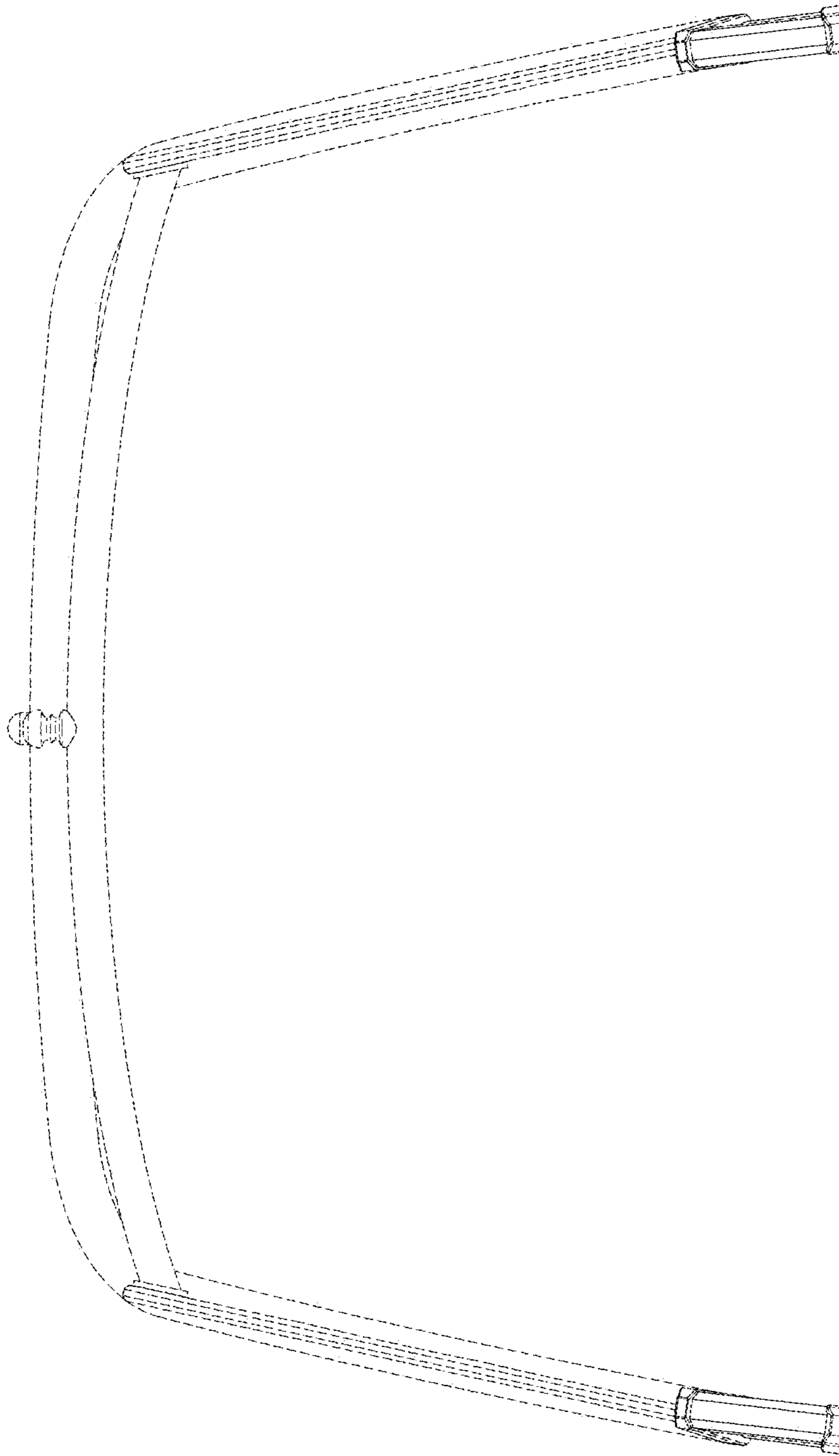


FIG. 7

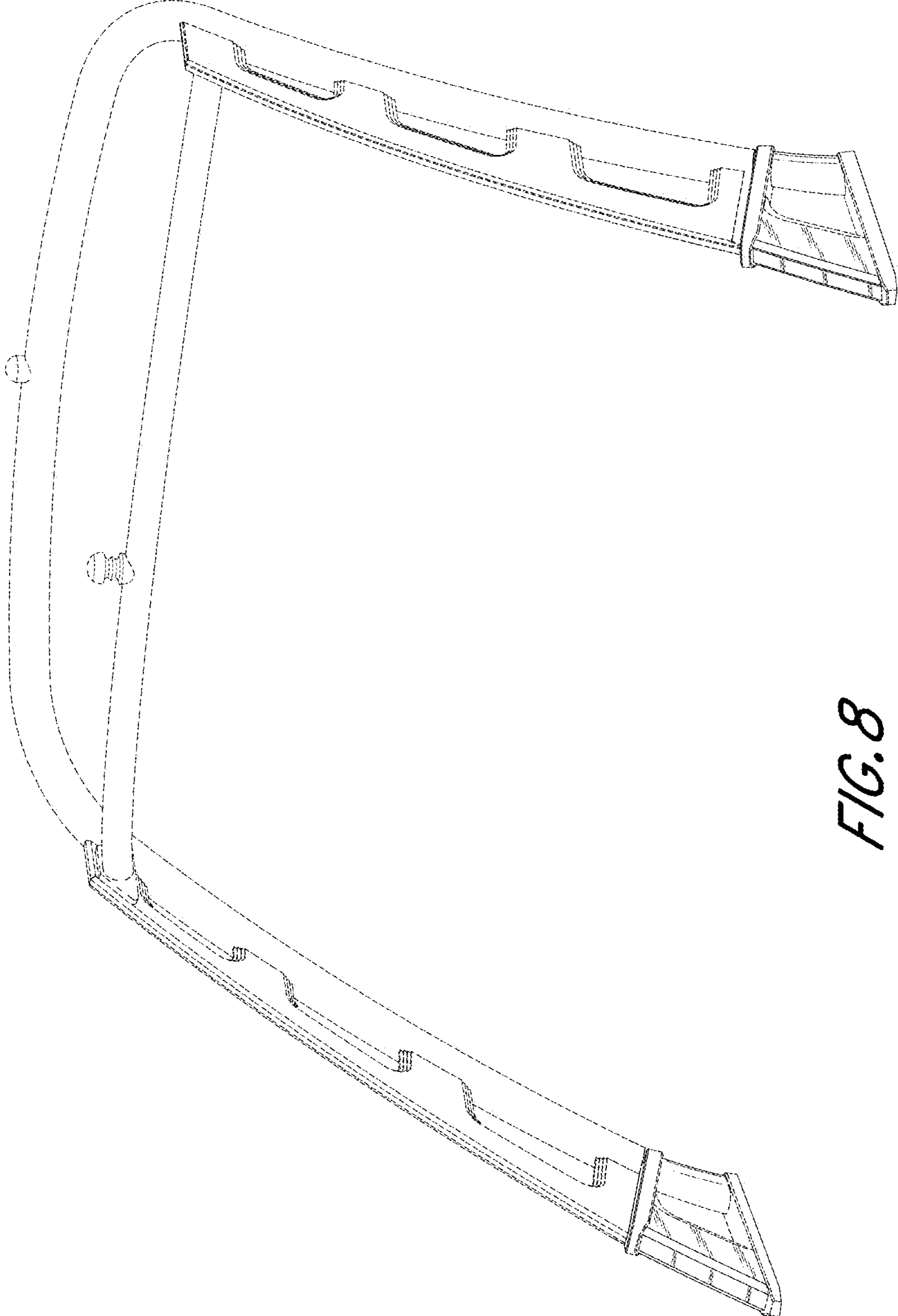


FIG. 8