



US00D711807S

(12) **United States Design Patent**
Hale

(10) **Patent No.:** **US D711,807 S**

(45) **Date of Patent:** **** Aug. 26, 2014**

(54) **VEHICLE-WHEEL FRONT FACE**
(71) Applicant: **Mobile Hi-Tech Wheels, Rancho Dominguez, CA (US)**
(72) Inventor: **Arthur D. Hale, Long Beach, CA (US)**

D569,778 S * 5/2008 Kim D12/211
D584,672 S * 1/2009 Osborne D12/209
D625,236 S * 10/2010 Hildebrand et al. D12/209
D670,223 S * 11/2012 Chung D12/209
D677,207 S * 3/2013 Gotschke D12/209
D689,002 S * 9/2013 Hale, Jr. D12/211
D701,812 S * 4/2014 Hale, Jr. D12/211

(73) Assignee: **Mobile Hi-Tech Wheels, Rancho Dominguez, CA (US)**

* cited by examiner

(**) Term: **14 Years**

Primary Examiner — Stacia Cadmus

(21) Appl. No.: **29/489,119**

(74) *Attorney, Agent, or Firm* — Christie, Parker & Hale, LLP

(22) Filed: **Apr. 25, 2014**

(51) **LOC (10) Cl.** **12-16**

(52) **U.S. Cl.**
USPC **D12/209**

(58) **Field of Classification Search**
USPC D12/204–213; 301/37.101, 64.101, 65, 301/64.201
See application file for complete search history.

(57) **CLAIM**

The ornamental design for vehicle-wheel front face, as shown and described.

DESCRIPTION

FIG. 1 is a perspective view of a vehicle wheel front face according to my new design;
FIG. 2 is a front elevational view thereof;
FIG. 3 is a side elevational view thereof;
FIG. 4 is a perspective view of a second embodiment of a vehicle wheel front face according to my new design;
FIG. 5 is a front elevational view thereof; and,
FIG. 6 is a side elevational view thereof.
The broken lines showing the rear of the wheel and the round elements on the lip of the rim and the bolt holes and center cap in the central hub area are included for the purpose of illustrating environment and form no part of the claimed design.

(56) **References Cited**

U.S. PATENT DOCUMENTS

D422,258 S * 4/2000 Hale, Jr. D12/211
D426,184 S * 6/2000 Goplen D12/209
D467,213 S * 12/2002 Pfeiffer et al. D12/211
D485,223 S * 1/2004 Pfeiffer et al. D12/209
D492,927 S * 7/2004 Fitzgerald D12/211
D520,432 S * 5/2006 Metros et al. D12/211
D530,258 S * 10/2006 Schell D12/211
D539,725 S * 4/2007 Plumer D12/211

1 Claim, 6 Drawing Sheets

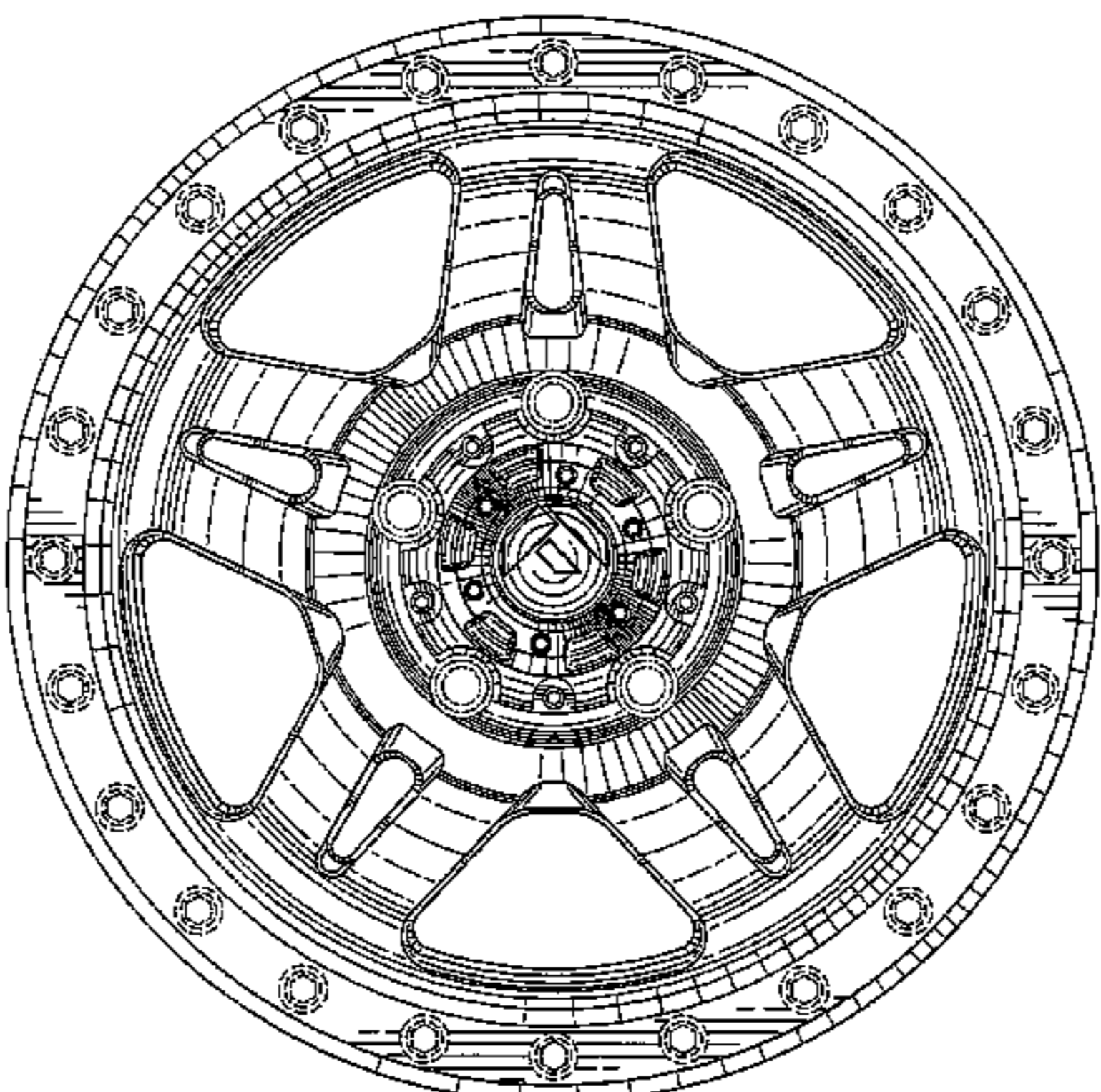
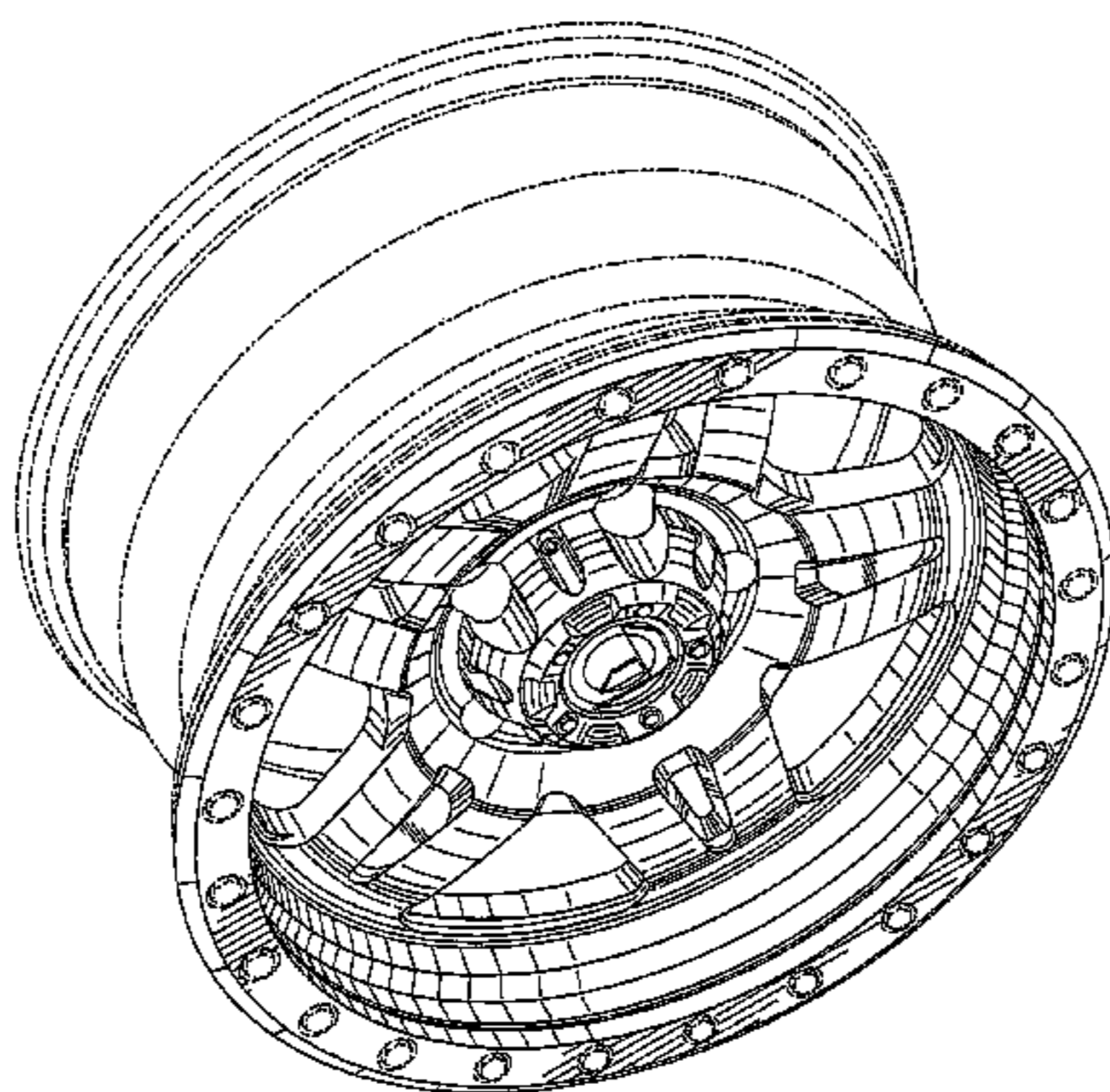


FIG. 1

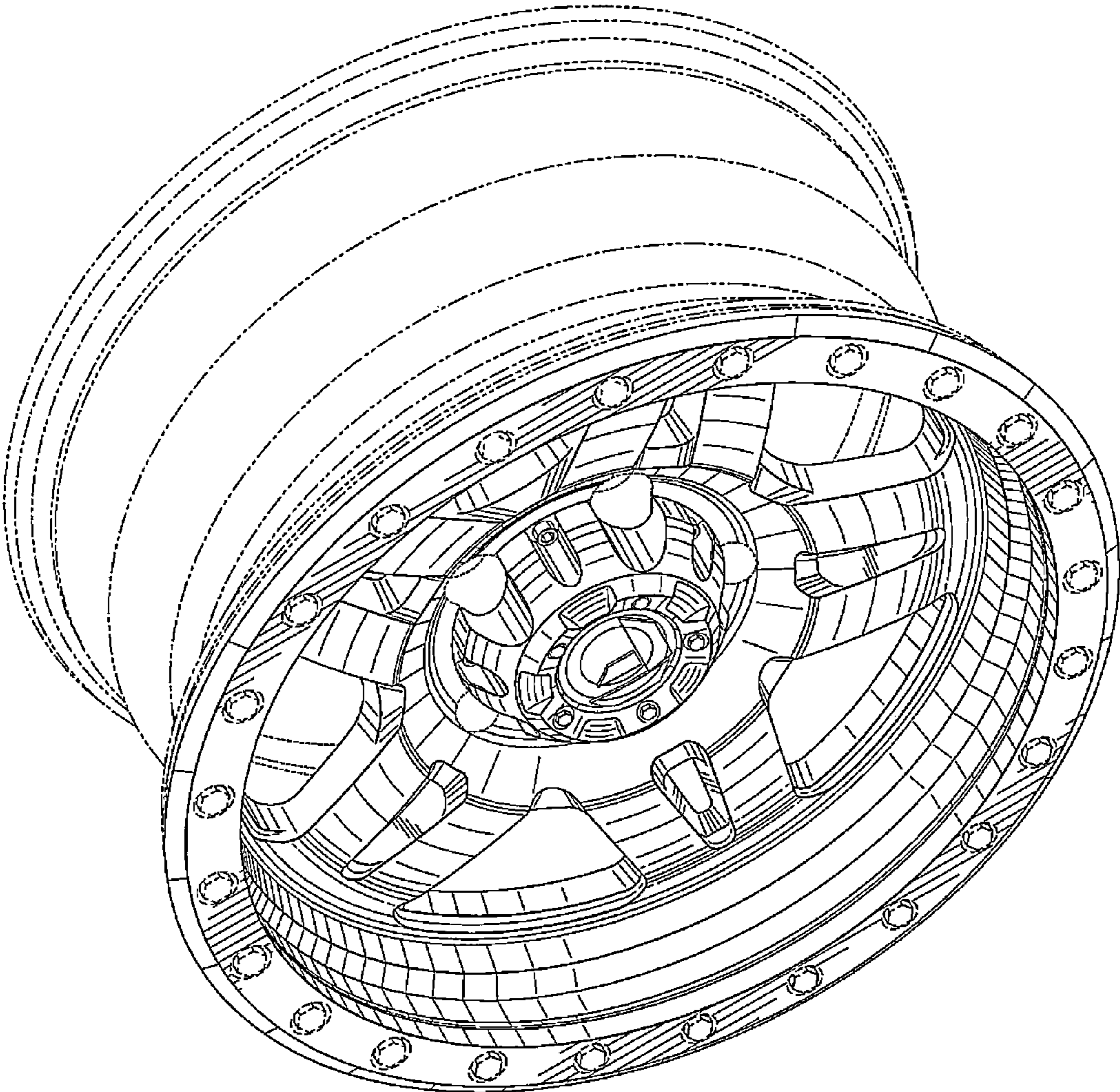


FIG. 2

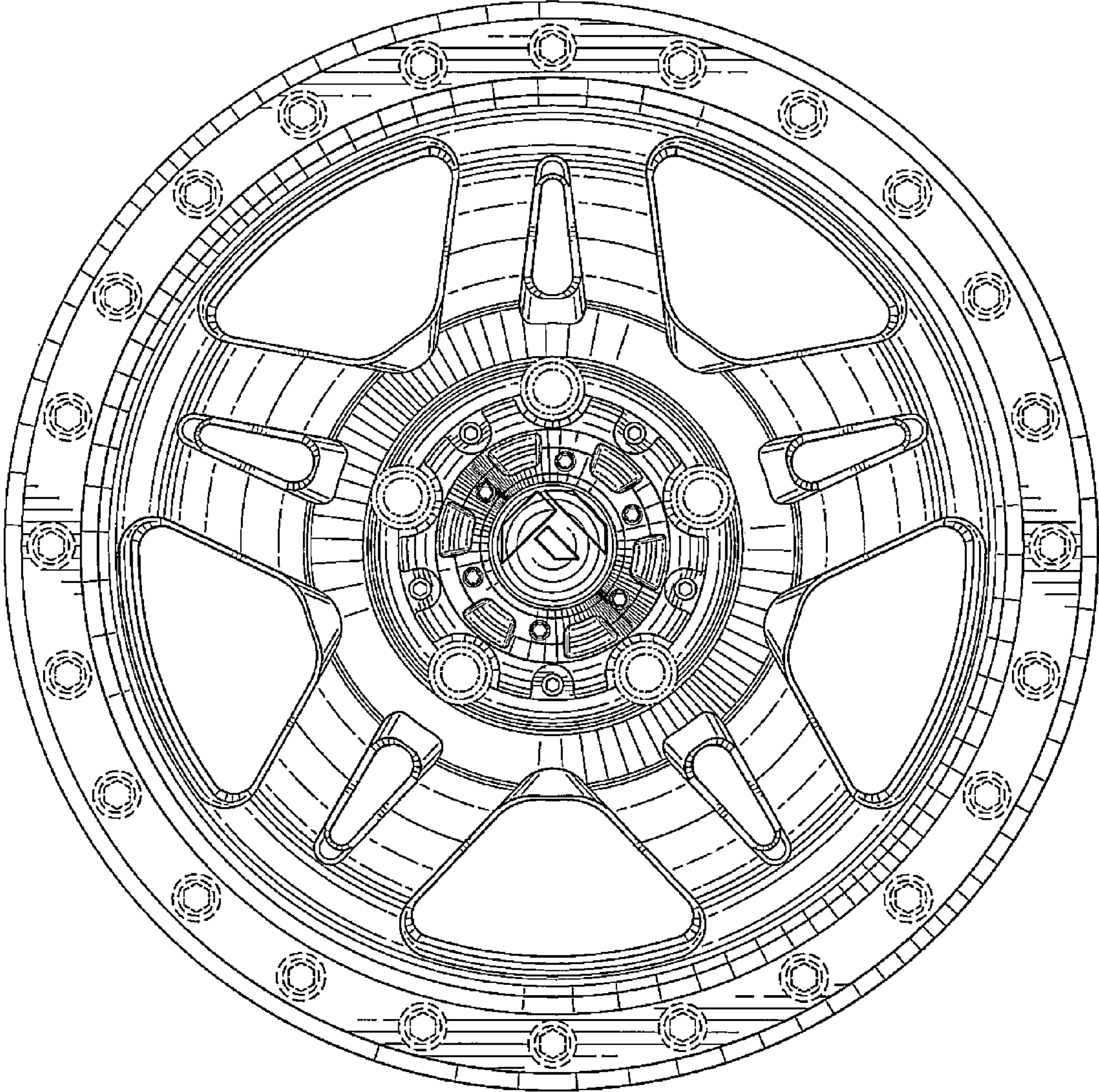


FIG. 3

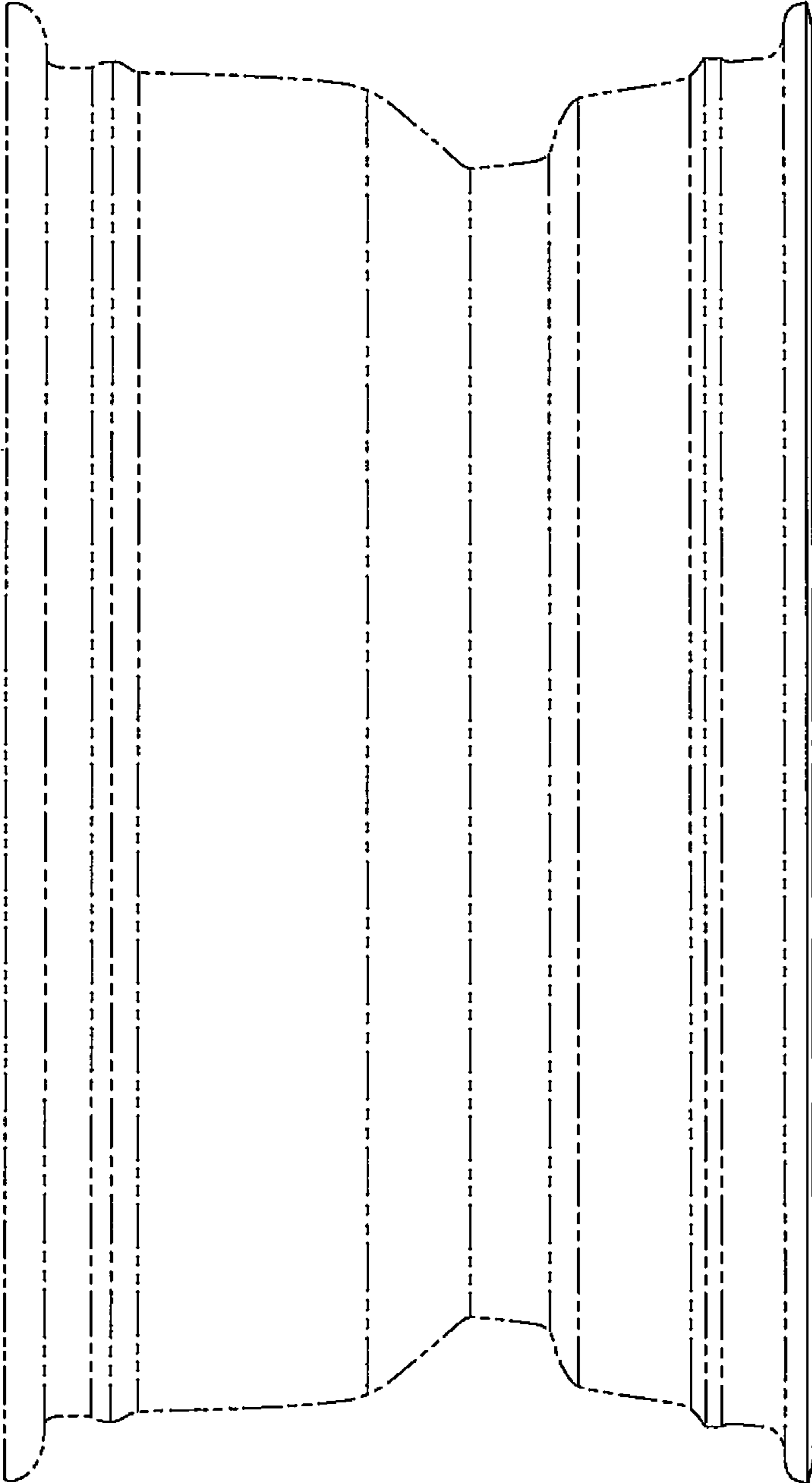


FIG. 4

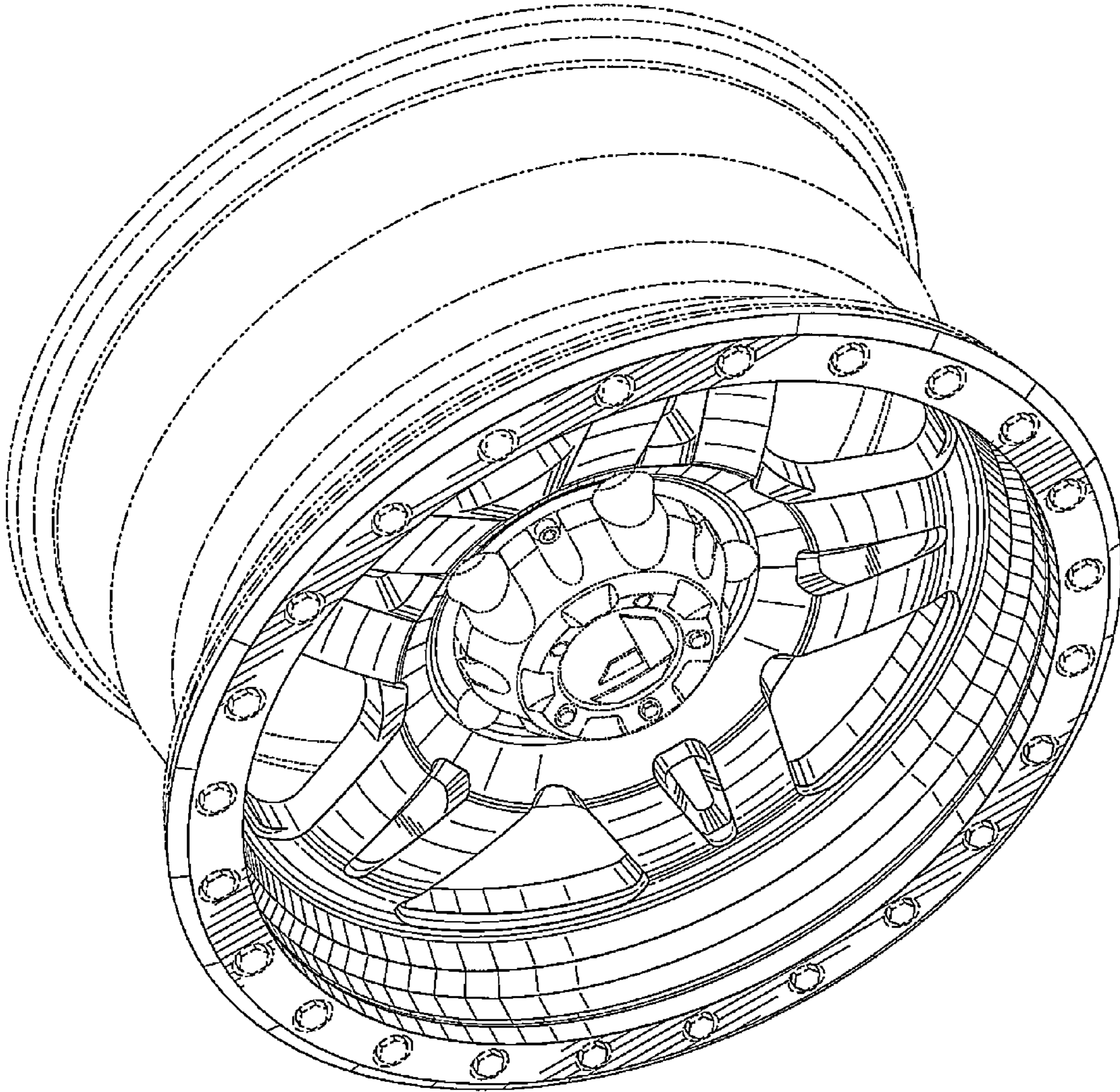


FIG. 5

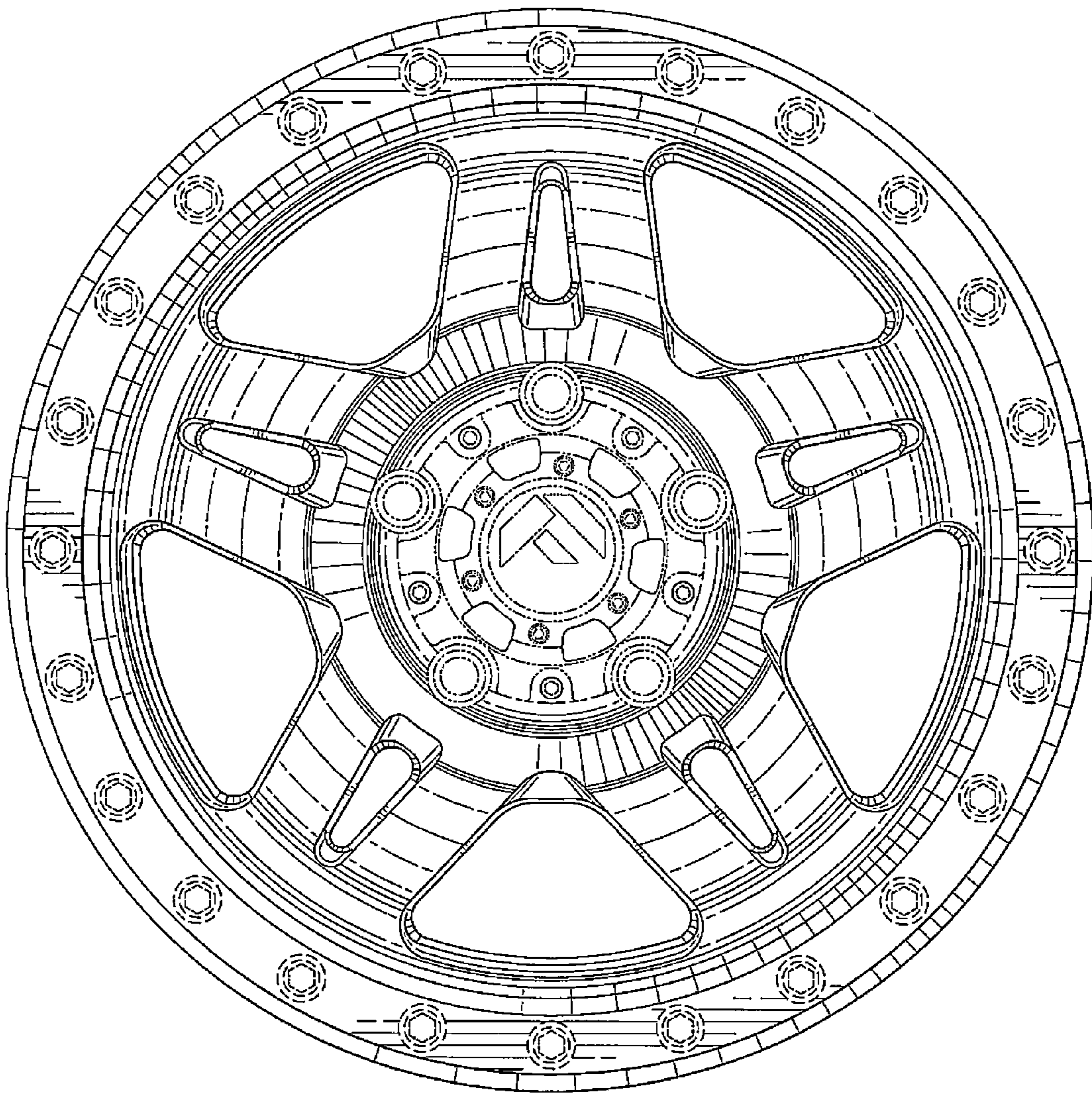


FIG. 6

