



US00D711794S

(12) **United States Design Patent**  
**Okamura et al.**

(10) **Patent No.:** **US D711,794 S**

(45) **Date of Patent:** **\*\* Aug. 26, 2014**

(54) **BUMPER FOR AN AUTOMOBILE**

D696,167 S \* 12/2013 Ito ..... D12/169  
D699,639 S \* 2/2014 Kubota et al. .... D12/169  
D701,151 S \* 3/2014 Cartabiano et al. .... D12/169

(71) Applicants: **Kenichi Okamura**, Nagoya (JP);  
**Junwon Han**, Okazaki (JP)

**OTHER PUBLICATIONS**

(72) Inventors: **Kenichi Okamura**, Nagoya (JP);  
**Junwon Han**, Okazaki (JP)

Audi, Audi A6, netcarshow.com, A) [http://www.netcarshow.com/audi/2012-a6/1600x1200/wallpaper\\_38.htm](http://www.netcarshow.com/audi/2012-a6/1600x1200/wallpaper_38.htm) B) [http://www.netcarshow.com/audi/2012-a6/1600x1200/wallpaper\\_03.htm](http://www.netcarshow.com/audi/2012-a6/1600x1200/wallpaper_03.htm) available at least as early as Feb. 10, 2012.

(73) Assignee: **Toyota Jidosha Kabushiki Kaisha** (JP)

Hyundai, Hyundai Sonata\_Hybrid, netcarshow.com, C) [http://www.netcarshow.com/hyundai/2011-sonata\\_hybrid/1600x1200/wallpaper\\_oe.htm](http://www.netcarshow.com/hyundai/2011-sonata_hybrid/1600x1200/wallpaper_oe.htm) D) [http://www.netcarshow.com/hyundai/2011-sonata\\_hybrid/1600x1200/wallpaper\\_06.htm](http://www.netcarshow.com/hyundai/2011-sonata_hybrid/1600x1200/wallpaper_06.htm) available at least as early as Feb. 10, 2012.

(\*\*) Term: **14 Years**

Hyundai, Hyundai Avante, netcarshow.com, E) [http://www.netcarshow.com/hyundai/2011-avante/1600x1200/wallpaper\\_16.htm](http://www.netcarshow.com/hyundai/2011-avante/1600x1200/wallpaper_16.htm) F) [http://www.netcarshow.com/hyundai/2011-avante/1600x1200/wallpaper\\_01.htm](http://www.netcarshow.com/hyundai/2011-avante/1600x1200/wallpaper_01.htm) available at least as early as Feb. 10, 2012.

(21) Appl. No.: **29/458,881**

(22) Filed: **Jun. 24, 2013**

(30) **Foreign Application Priority Data**

Dec. 26, 2012 (JP) ..... 2012-031522

(51) **LOC (10) Cl.** ..... **12-16**

(52) **U.S. Cl.**  
USPC ..... **D12/169**

(58) **Field of Classification Search**  
USPC ..... D12/169, 196, 171, 216, 163, 86,  
D12/90-92; 293/102, 113, 115, 117, 120;  
296/180.1, 180.2  
See application file for complete search history.

\* cited by examiner

*Primary Examiner* — Melody Brown

(74) *Attorney, Agent, or Firm* — SAIDMAN DesignLaw Group

(56) **References Cited**

**U.S. PATENT DOCUMENTS**

D531,939 S \* 11/2006 Omoto ..... D12/169  
D542,193 S \* 5/2007 Golden et al. .... D12/169  
D545,731 S \* 7/2007 Golden et al. .... D12/169  
D575,694 S \* 8/2008 Opfer et al. .... D12/169  
D575,696 S \* 8/2008 Gale et al. .... D12/169  
7,481,487 B2 \* 1/2009 Lau et al. .... 296/193.1  
D595,623 S \* 7/2009 Wagner et al. .... D12/169  
D598,828 S \* 8/2009 Lee ..... D12/169  
D604,678 S \* 11/2009 Walter et al. .... D12/169  
7,726,428 B2 \* 6/2010 Kowalski ..... 180/68.6  
D643,350 S \* 8/2011 Furst ..... D12/169  
7,988,225 B2 \* 8/2011 Goldsberry ..... 296/193.09  
D647,011 S \* 10/2011 Verhee et al. .... D12/169

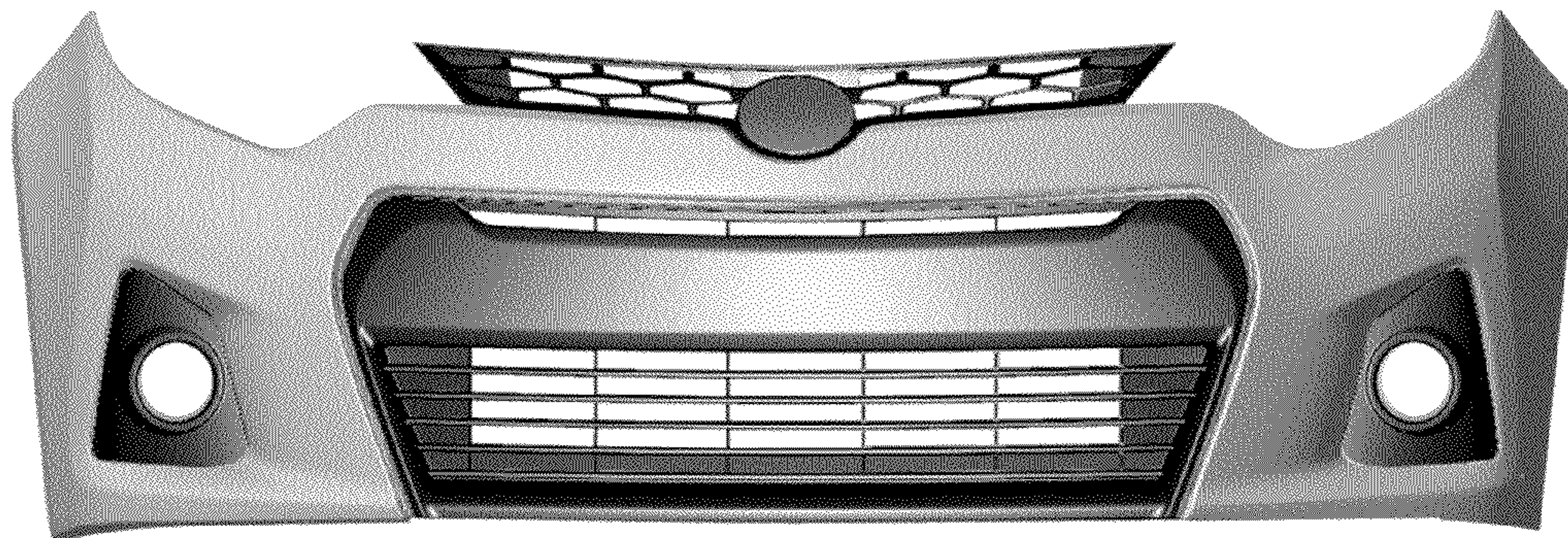
(57) **CLAIM**

The ornamental design for a bumper for an automobile, as shown and described.

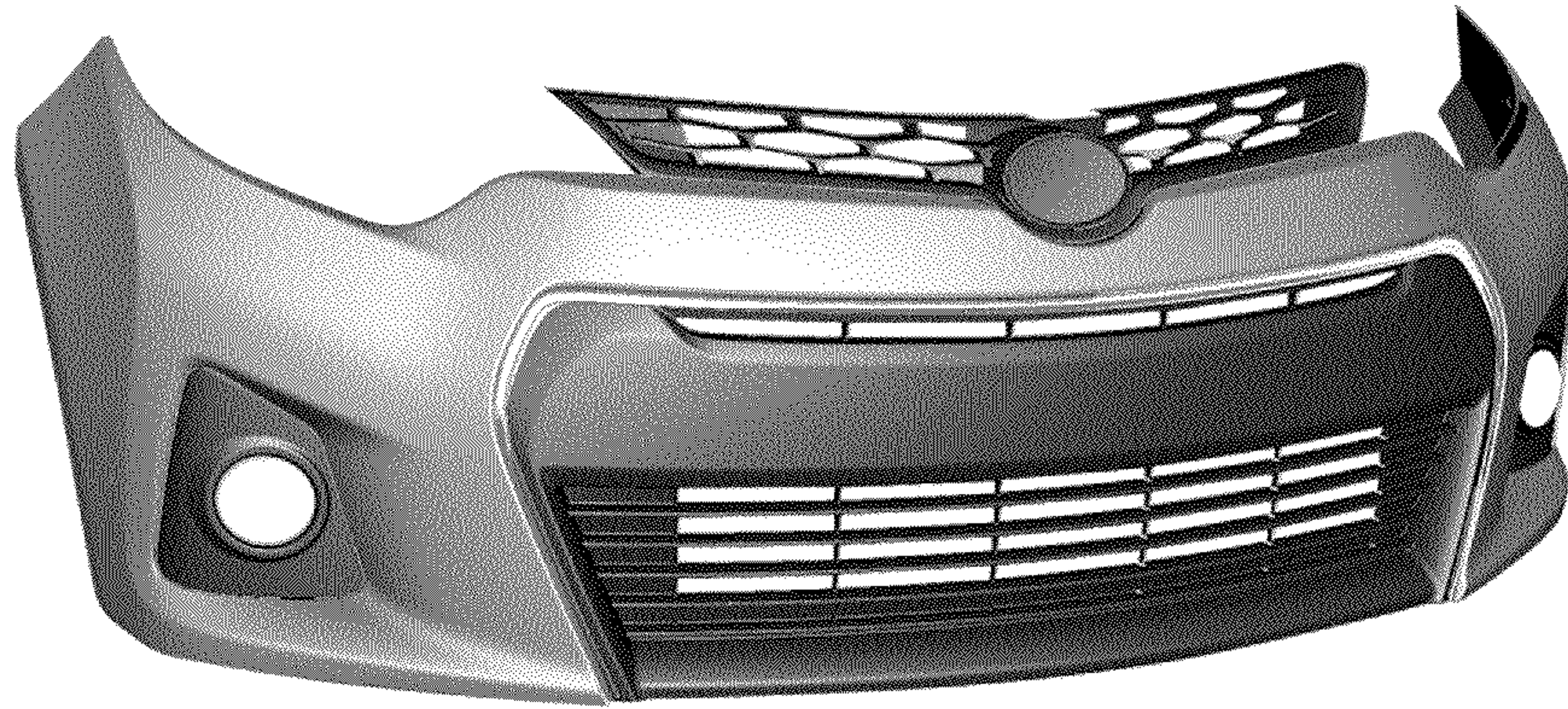
**DESCRIPTION**

FIG. 1 is a perspective view of a bumper for an automobile showing our new design;  
FIG. 2 is a front view thereof;  
FIG. 3 is a rear view thereof;  
FIG. 4 is a top view thereof;  
FIG. 5 is a bottom view thereof; and  
FIG. 6 is a left side view thereof; and,  
FIG. 7 is a right side view thereof.

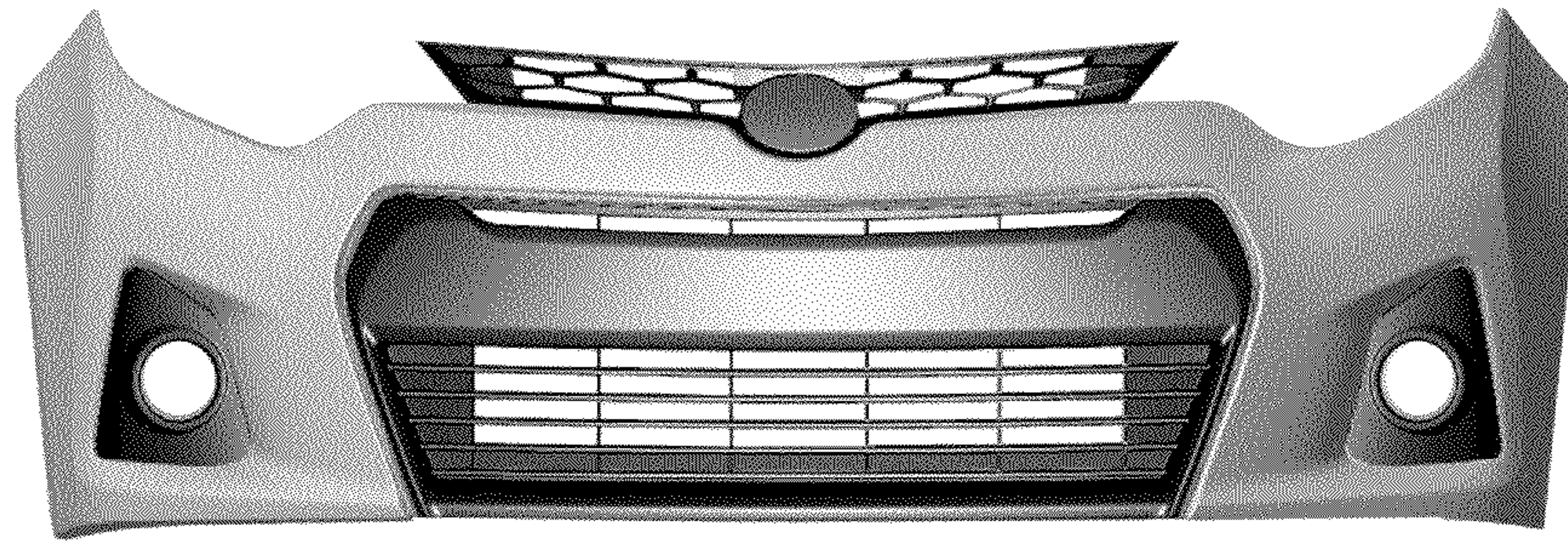
**1 Claim, 3 Drawing Sheets**



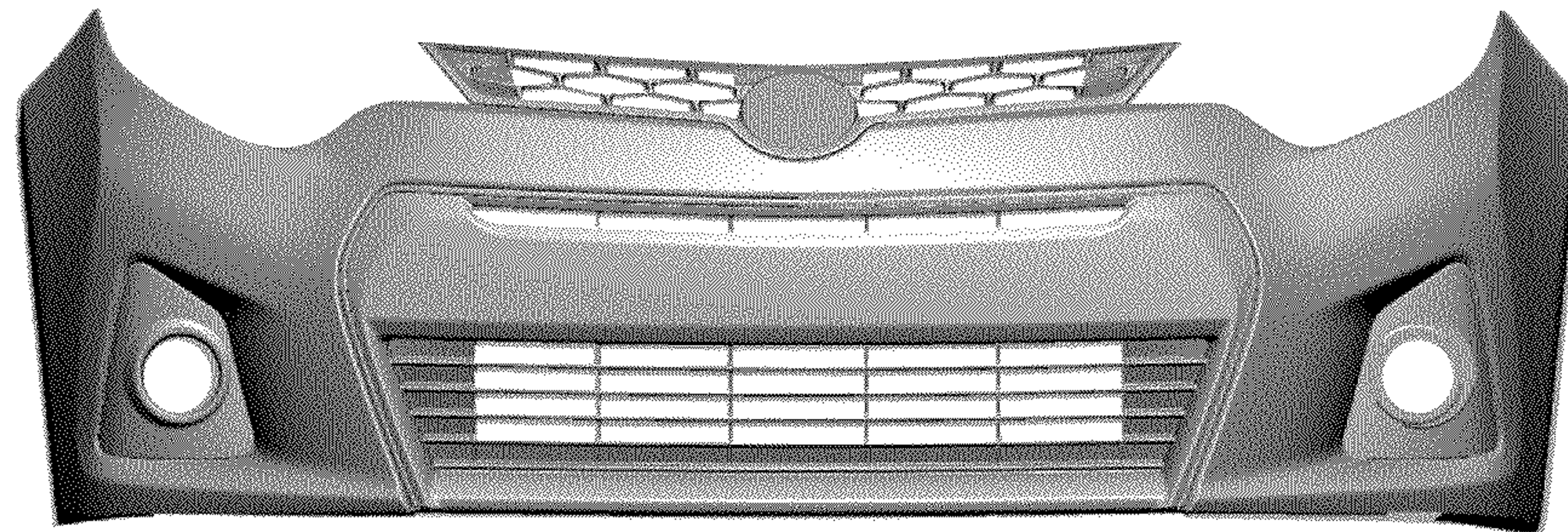




*Figure 1*

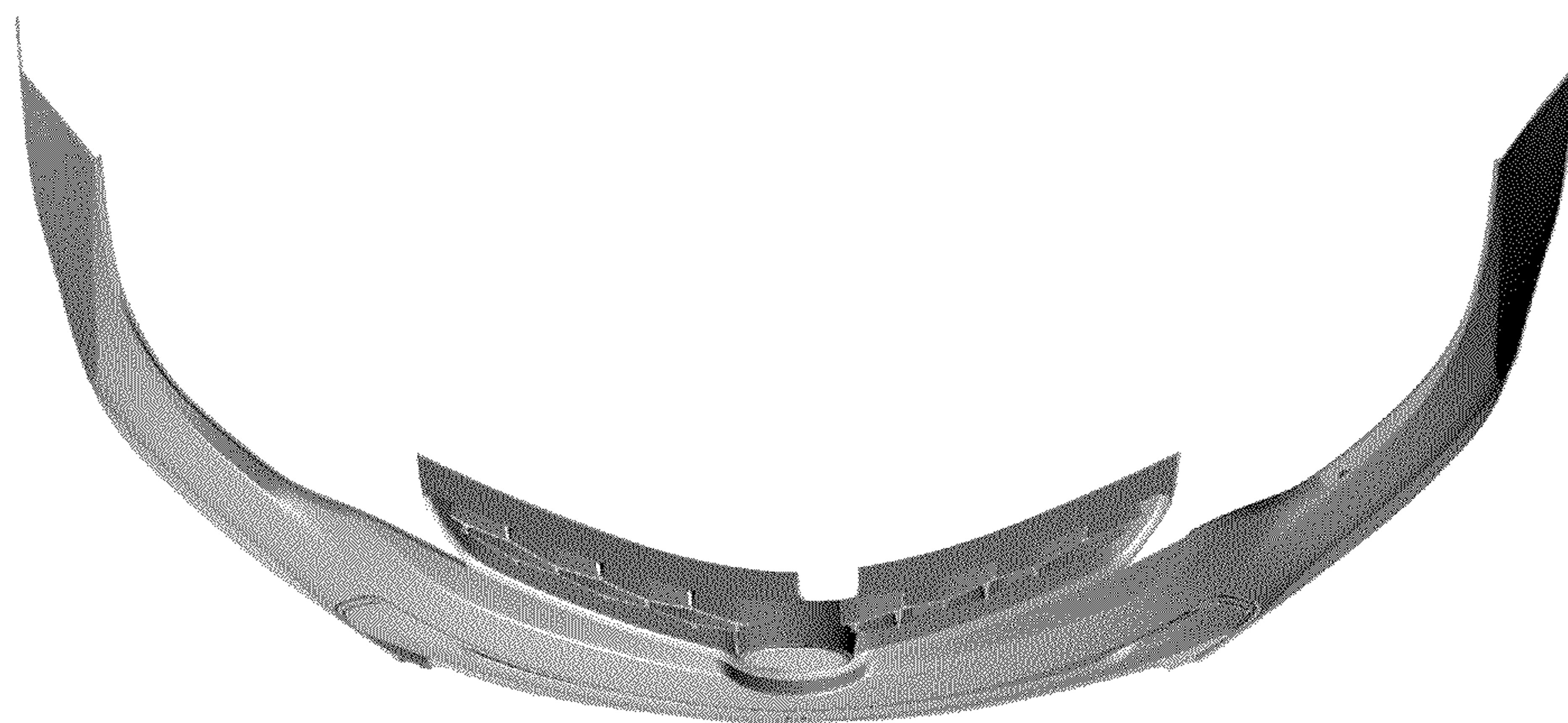


*Figure 2*

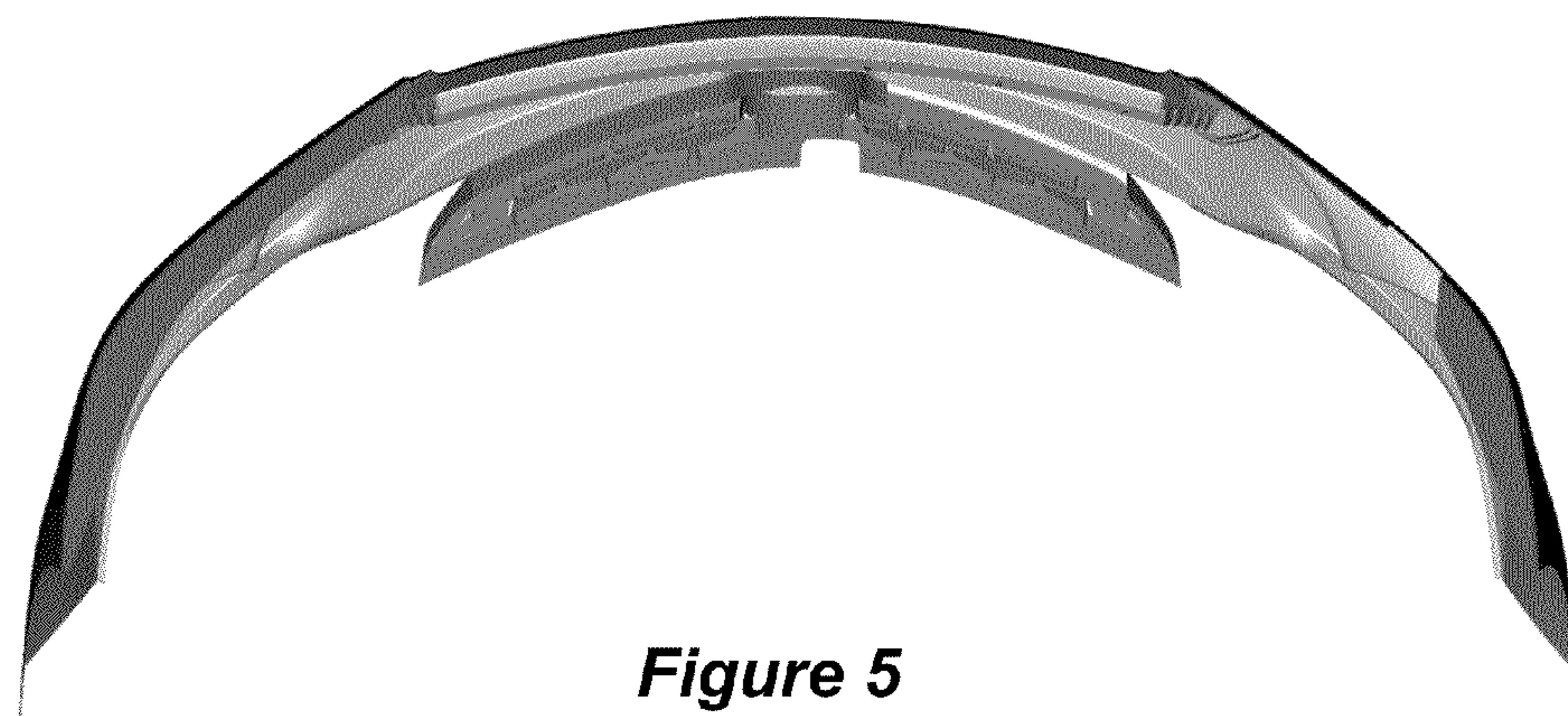


*Figure 3*



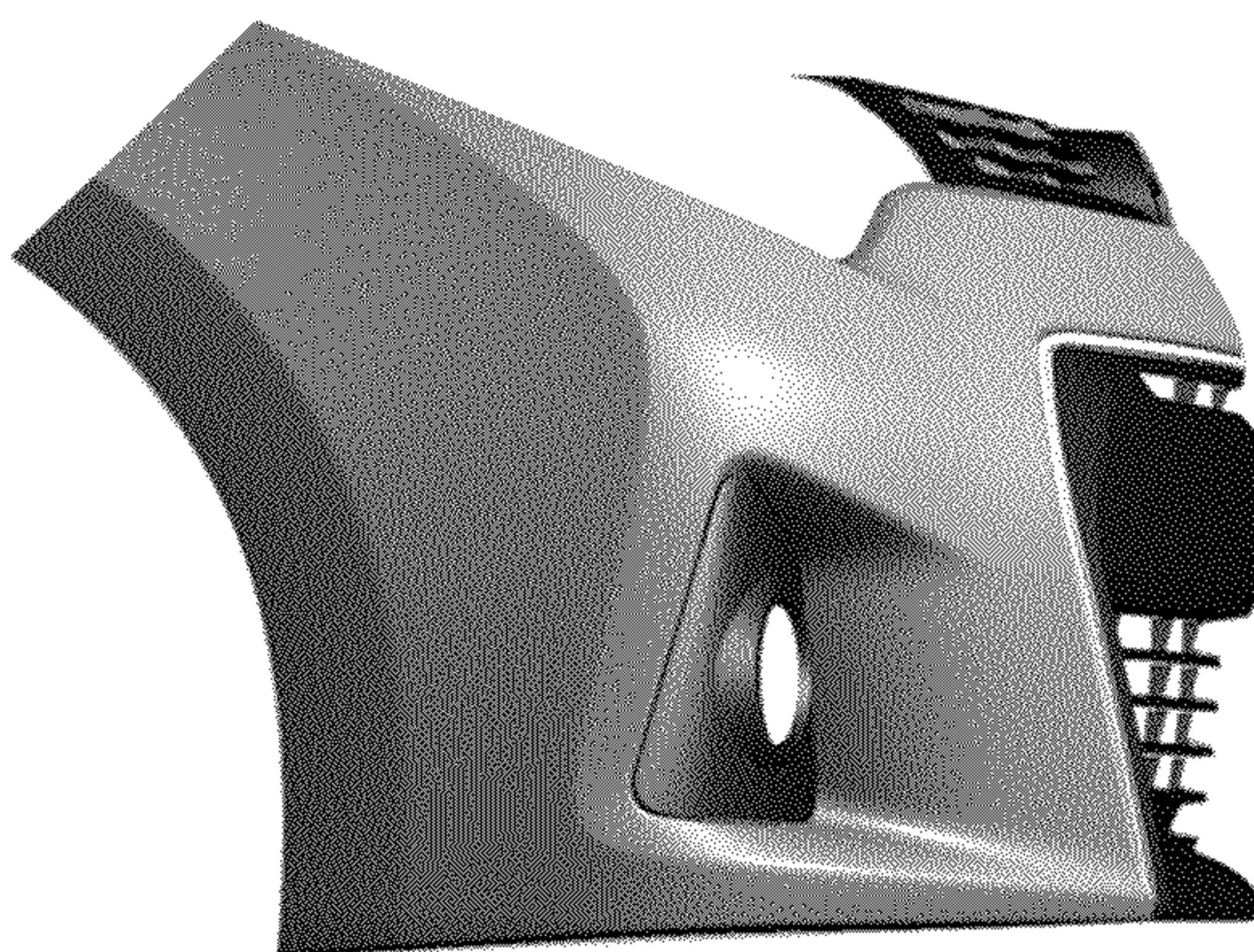


*Figure 4*

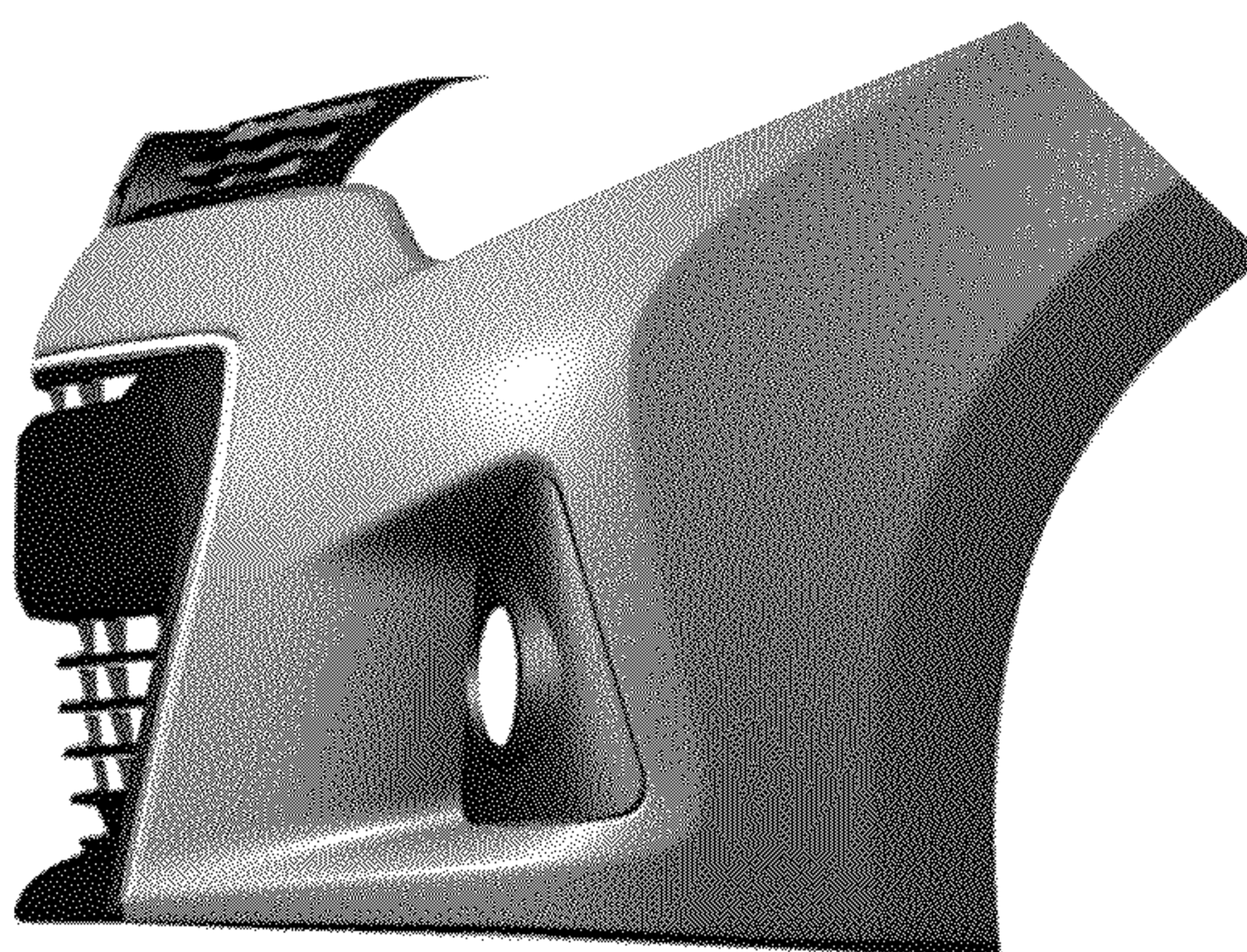


*Figure 5*





*Figure 6*



*Figure 7*