



US00D711793S

(12) **United States Design Patent**
Nagasaka et al.

(10) **Patent No.:** **US D711,793 S**

(45) **Date of Patent:** **** Aug. 26, 2014**

- (54) **BUMPER FOR AN AUTOMOBILE**
- (71) Applicants: **Ken Nagasaka**, Toyota (JP); **Etsuya Ohishi**, Toyota (JP); **Michio Tada**, Okazaki (JP)
- (72) Inventors: **Ken Nagasaka**, Toyota (JP); **Etsuya Ohishi**, Toyota (JP); **Michio Tada**, Okazaki (JP)
- (73) Assignee: **Toyota Jidosha Kabushiki Kaisha** (JP)
- (**) Term: **14 Years**
- (21) Appl. No.: **29/458,866**
- (22) Filed: **Jun. 24, 2013**
- (30) **Foreign Application Priority Data**
Dec. 26, 2012 (JP) 2012-031529
- (51) **LOC (10) Cl.** **12-16**
- (52) **U.S. Cl.**
USPC **D12/169**
- (58) **Field of Classification Search**
USPC D12/169, 196, 171, 216, 163, 86,
D12/90-92; 293/102, 113, 115, 117, 120;
296/180.1, 180.2
See application file for complete search history.

- D680,478 S * 4/2013 Munakata et al. D12/169
- D683,284 S * 5/2013 Yoshida et al. D12/169
- D686,546 S * 7/2013 Fetherston et al. D12/169
- D687,356 S * 8/2013 Weil D12/169
- D696,167 S * 12/2013 Ito D12/169
- D699,639 S * 2/2014 Kubota et al. D12/169
- D701,151 S * 3/2014 Cartabiano et al. D12/169

OTHER PUBLICATIONS

Ford, Ford Focus, netcarshow.com, A) http://www.netcarshow.com/ford/2009-focus_sedan/1600x1200/wallpaper_02.htm B) http://www.netcarshow.com/ford/2009-focus_sedan/1600x1200/wallpaper_01.htm available at least as early as Aug. 4, 2011.
Kia, Kia Forte, netcarshow.com, C) http://www.netcarshow.com/kia/2010-forte/1600x1200/wallpaper_04.htm D) http://www.netcarshow.com/kia/2010-forte/1600x1200/wallpaper_19.htm available at least as early as Aug. 4, 2011.
Toyota, Toyota Estima, Toyota Motor Corporation E) Catalog of Estima publication date Apr. 2010.

* cited by examiner

Primary Examiner — Melody Brown

(74) *Attorney, Agent, or Firm* — SAIDMAN DesignLaw Group

(57) **CLAIM**

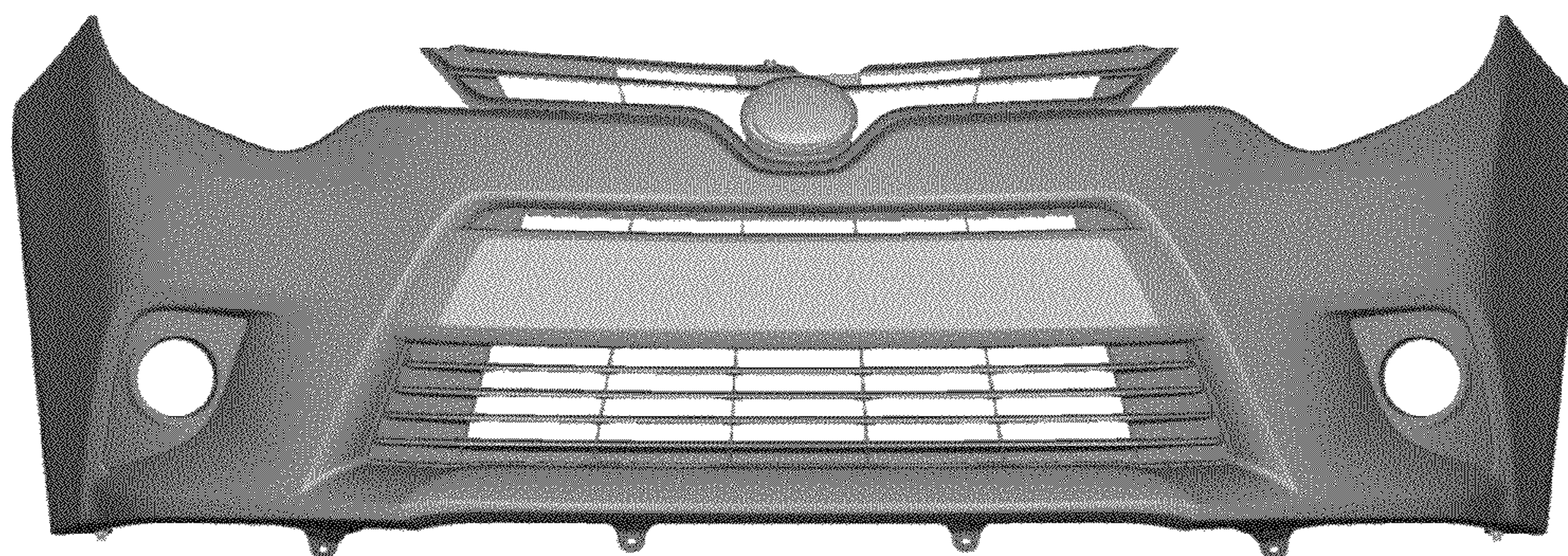
The ornamental design for a bumper for an automobile, as shown and described.

DESCRIPTION

FIG. 1 is a perspective view of a bumper for an automobile showing our new design;
FIG. 2 is a front view thereof;
FIG. 3 is a rear view thereof;
FIG. 4 is a top view thereof;
FIG. 5 is a bottom view thereof;
FIG. 6 is a left side view thereof; and,
FIG. 7 is a right side view thereof.

1 Claim, 3 Drawing Sheets

- (56) **References Cited**
U.S. PATENT DOCUMENTS
D609,613 S * 2/2010 Okue et al. D12/169
D619,514 S * 7/2010 Syouji et al. D12/169
D630,978 S * 1/2011 Koshino et al. D12/169
D640,614 S * 6/2011 Kumai et al. D12/169
D640,958 S * 7/2011 Yokoi et al. D12/169
D655,651 S * 3/2012 Koide et al. D12/164
D660,205 S * 5/2012 Hotta et al. D12/169
D667,353 S * 9/2012 Tomatsu D12/169
D674,731 S * 1/2013 Nagafuchi et al. D12/169



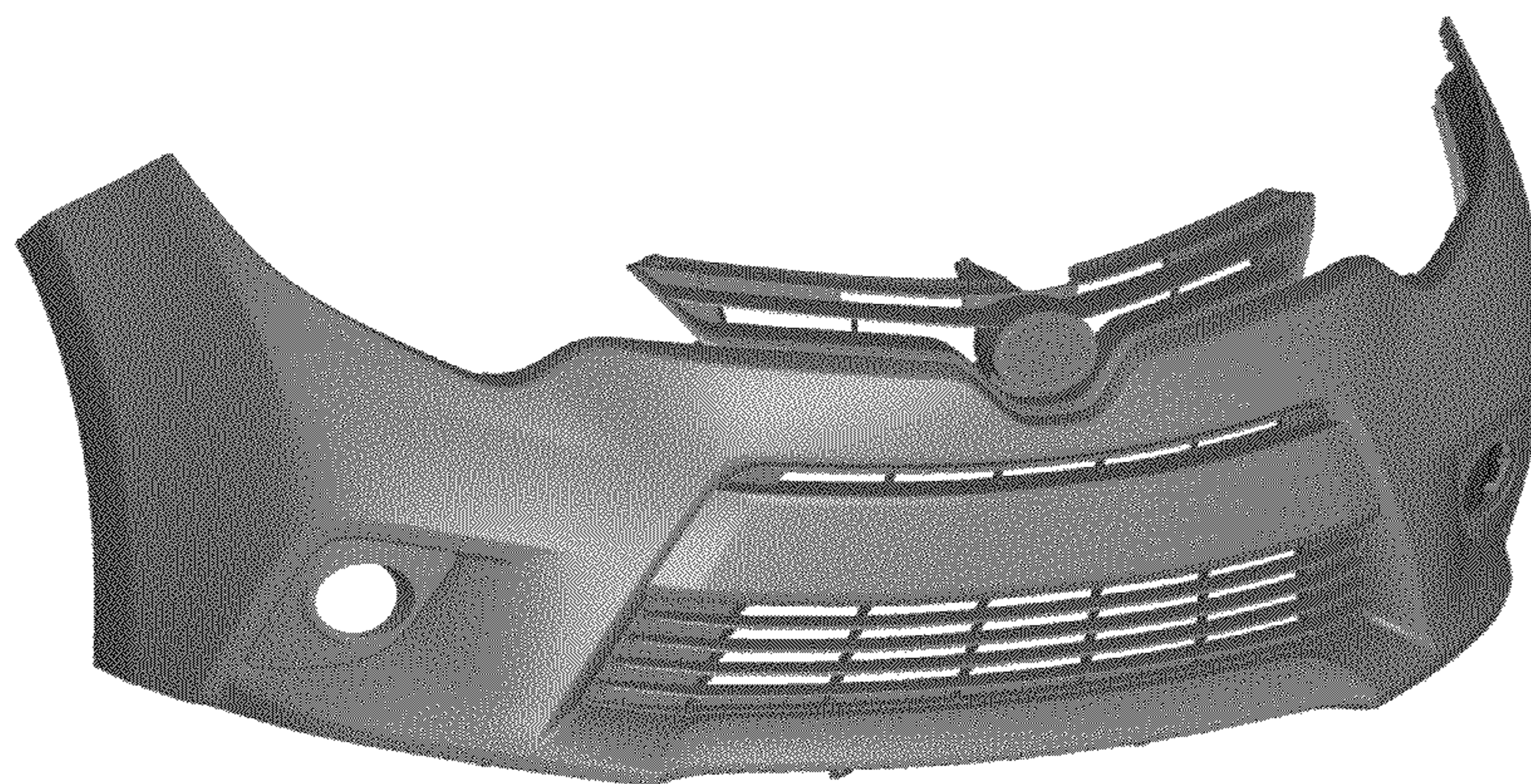


Figure 1

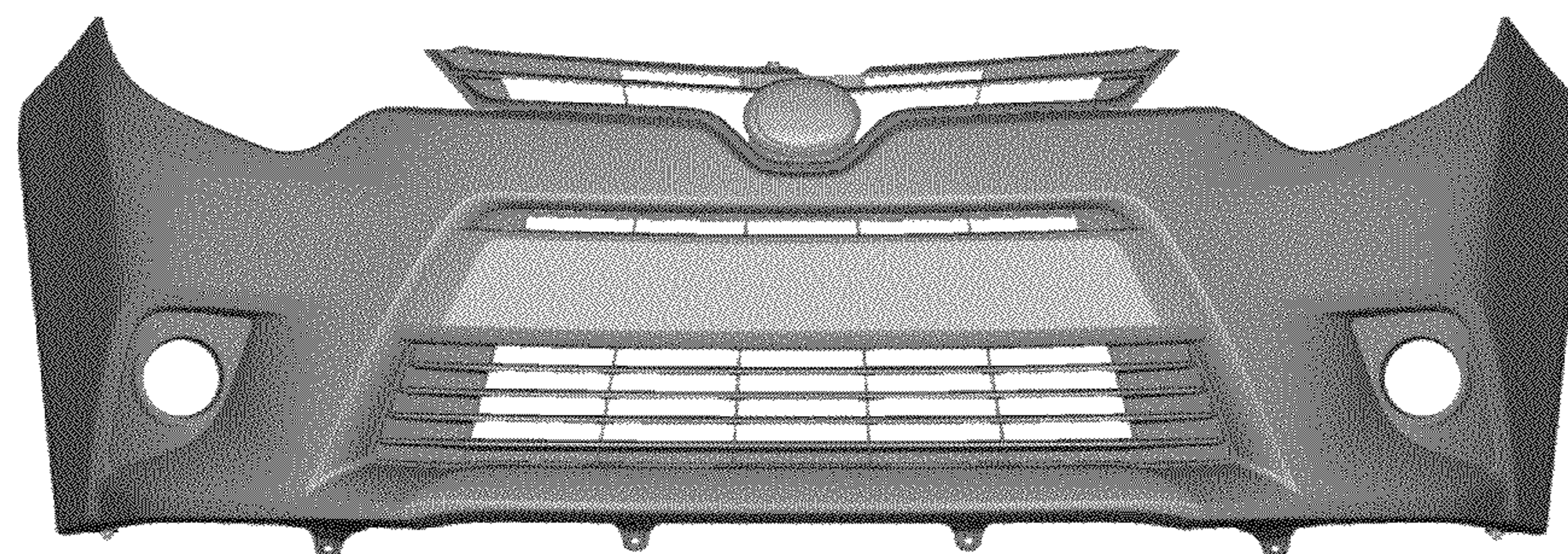


Figure 2

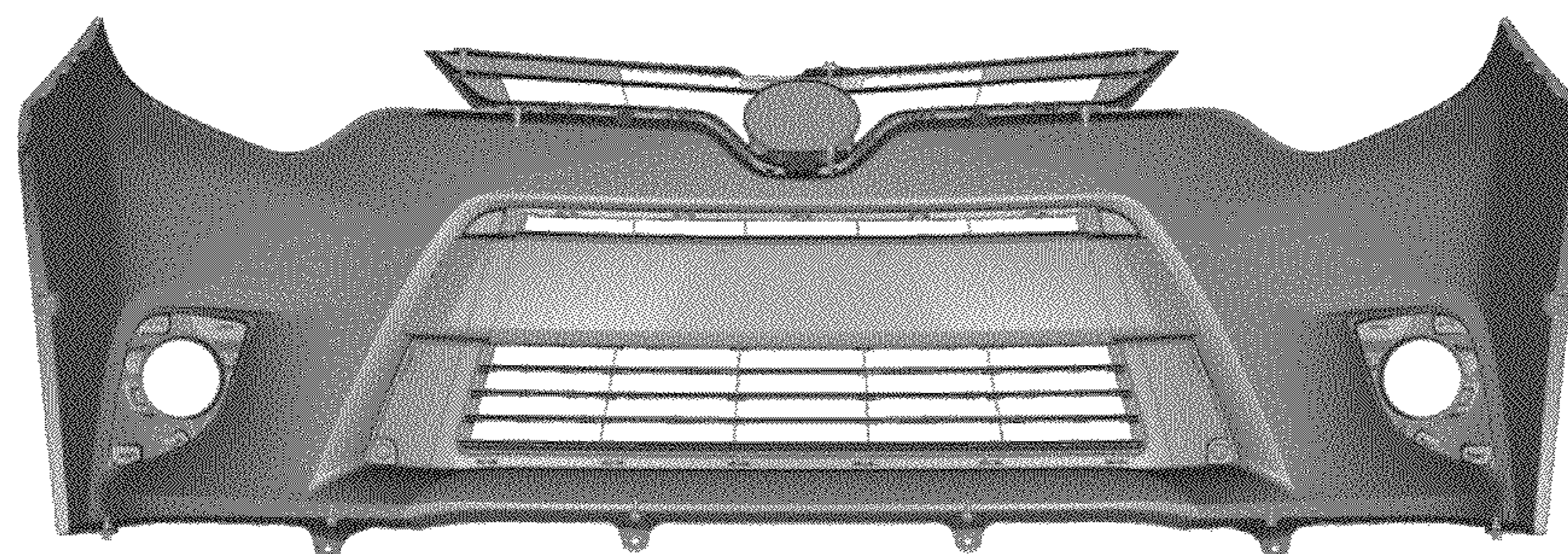


Figure 3

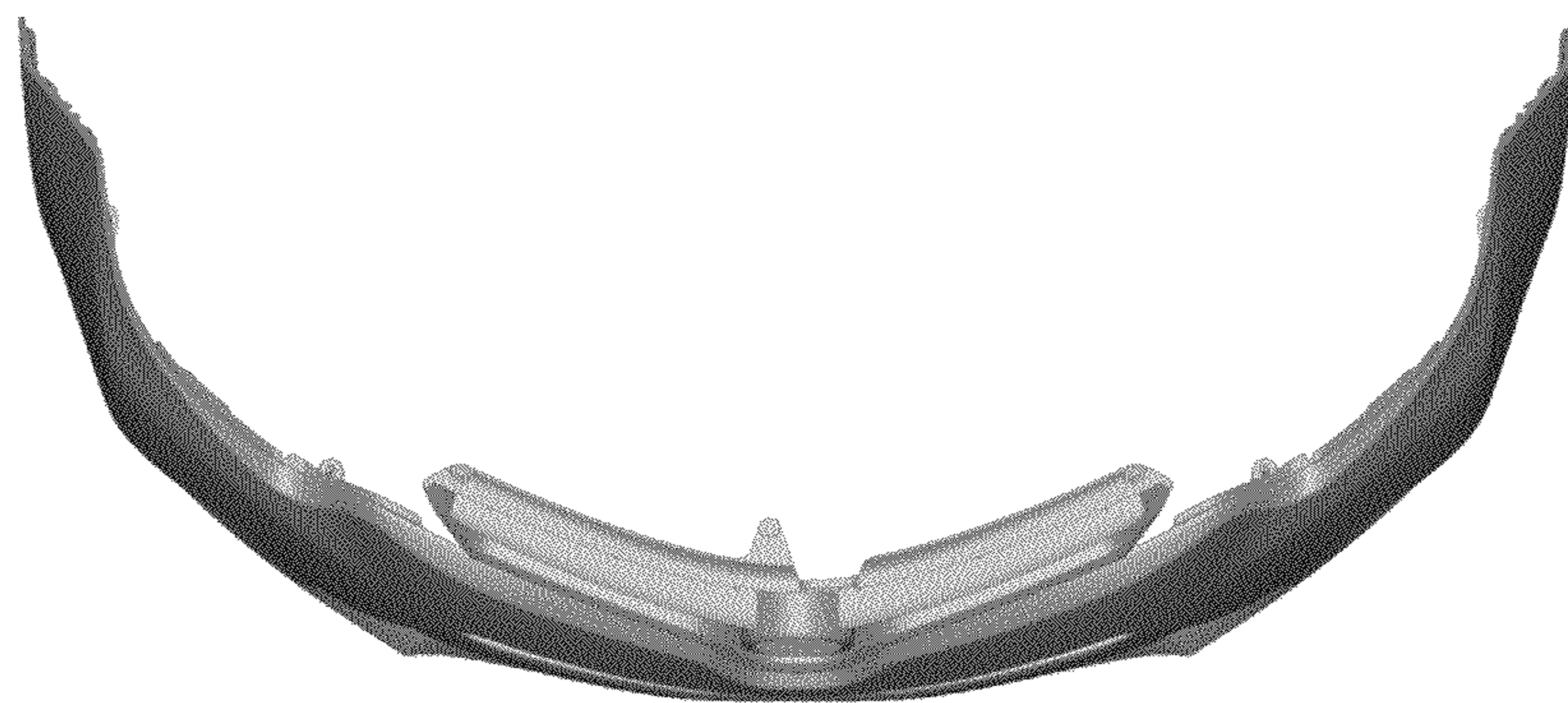


Figure 4

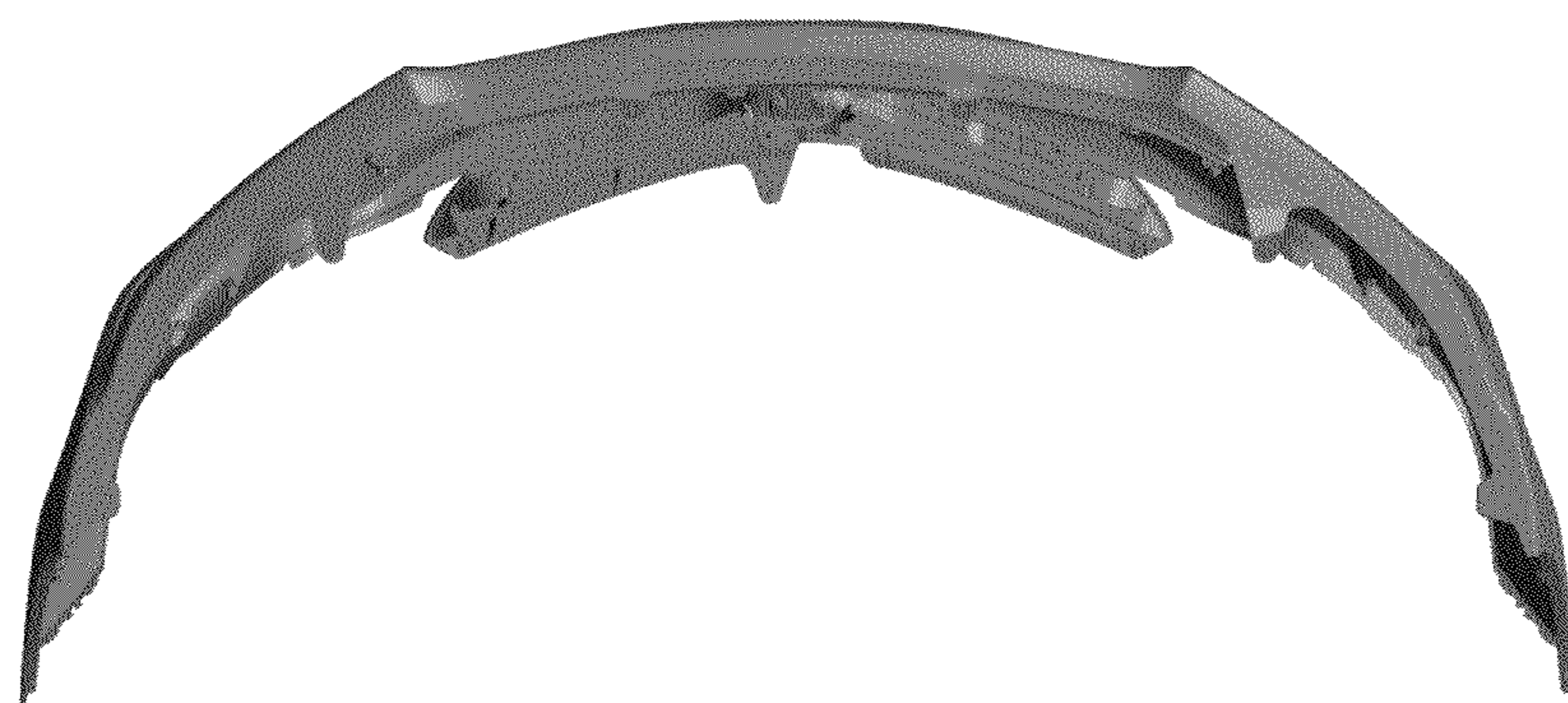


Figure 5

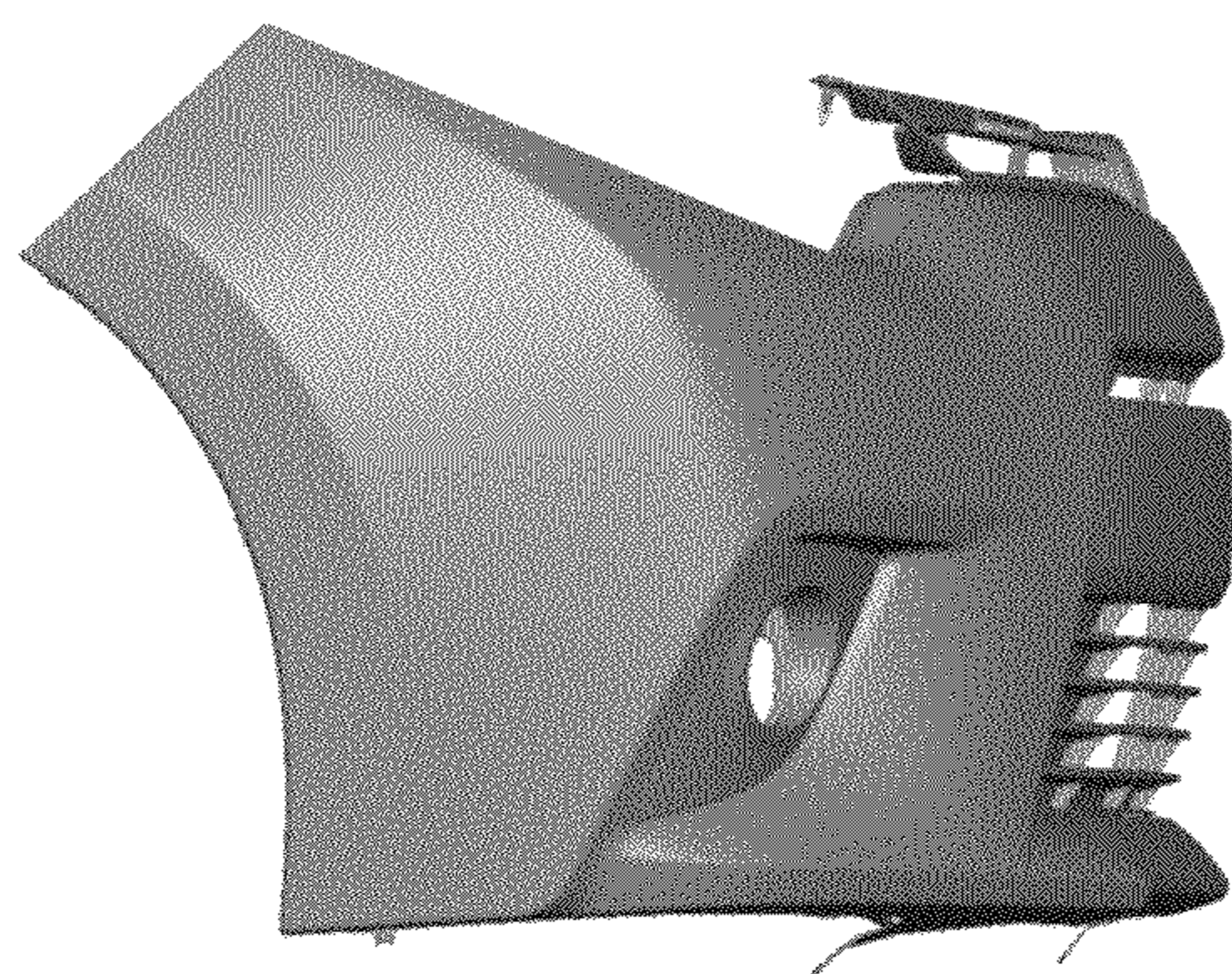


Figure 6

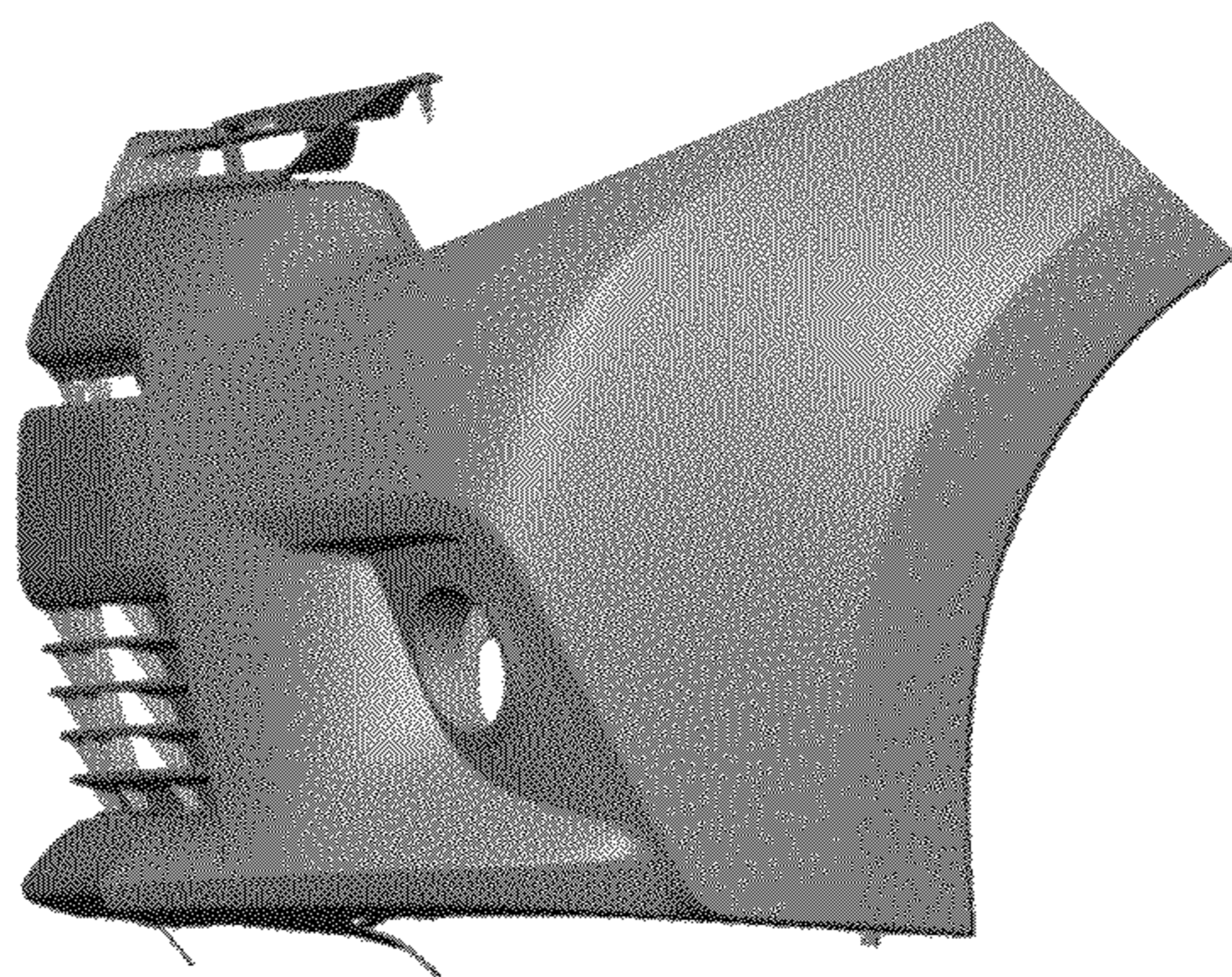


Figure 7