



US00D711791S

(12) **United States Design Patent**
Futschik et al.

(10) **Patent No.:** **US D711,791 S**

(45) **Date of Patent:** **** Aug. 26, 2014**

(54) **REAR PORTION OF A VEHICLE, TOY,
AND/OR REPLICAS THEREOF**

(71) Applicant: **Daimler AG**, Stuttgart (DE)

(72) Inventors: **Hans-Dieter Futschik**, Gechingen (DE);
Steffen Koehl, Stuttgart (DE); **Robert
Lesnik**, Leonberg (DE); **Gorden
Wagener**, Gaeufelden (DE)

(73) Assignee: **Daimler AG**, Stuttgart (DE)

(**) Term: **14 Years**

(21) Appl. No.: **29/455,968**

(22) Filed: **May 28, 2013**

(30) **Foreign Application Priority Data**

Nov. 29, 2012 (EM) 001353163-0004

(51) **LOC (10) Cl.** **12-16**

(52) **U.S. Cl.**
USPC **D12/164**

(58) **Field of Classification Search**
USPC D12/86, 90-92, 88, 164; D21/424, 433,
D21/434; 296/181.1, 181.5

See application file for complete search history.

(56) **References Cited**

U.S. PATENT DOCUMENTS

D540,216 S	4/2007	Pfeiffer	
D560,556 S *	1/2008	Pfeiffer et al.	D12/92
D634,677 S *	3/2011	Futschik et al.	D12/164
D664,482 S *	7/2012	Futschik et al.	D12/164
D702,156 S *	4/2014	Futschik et al.	D12/164
D703,113 S *	4/2014	Futschik et al.	D12/164

* cited by examiner

Primary Examiner — Melody Brown

(74) *Attorney, Agent, or Firm* — Crowell & Moring LLP

(57) **CLAIM**

The ornamental design for a rear portion of a vehicle, toy, and/or replicas thereof, as shown and described.

DESCRIPTION

This application contains subject matter related to the following co-pending U.S. design patent application:

Application Ser. No. 29/455,966, filed herewith and entitled "Vehicle, Toy, and/or Replicas Thereof".

FIG. 1 is a left perspective view of a rear portion of a vehicle, toy, and/or replicas thereof according to the design;

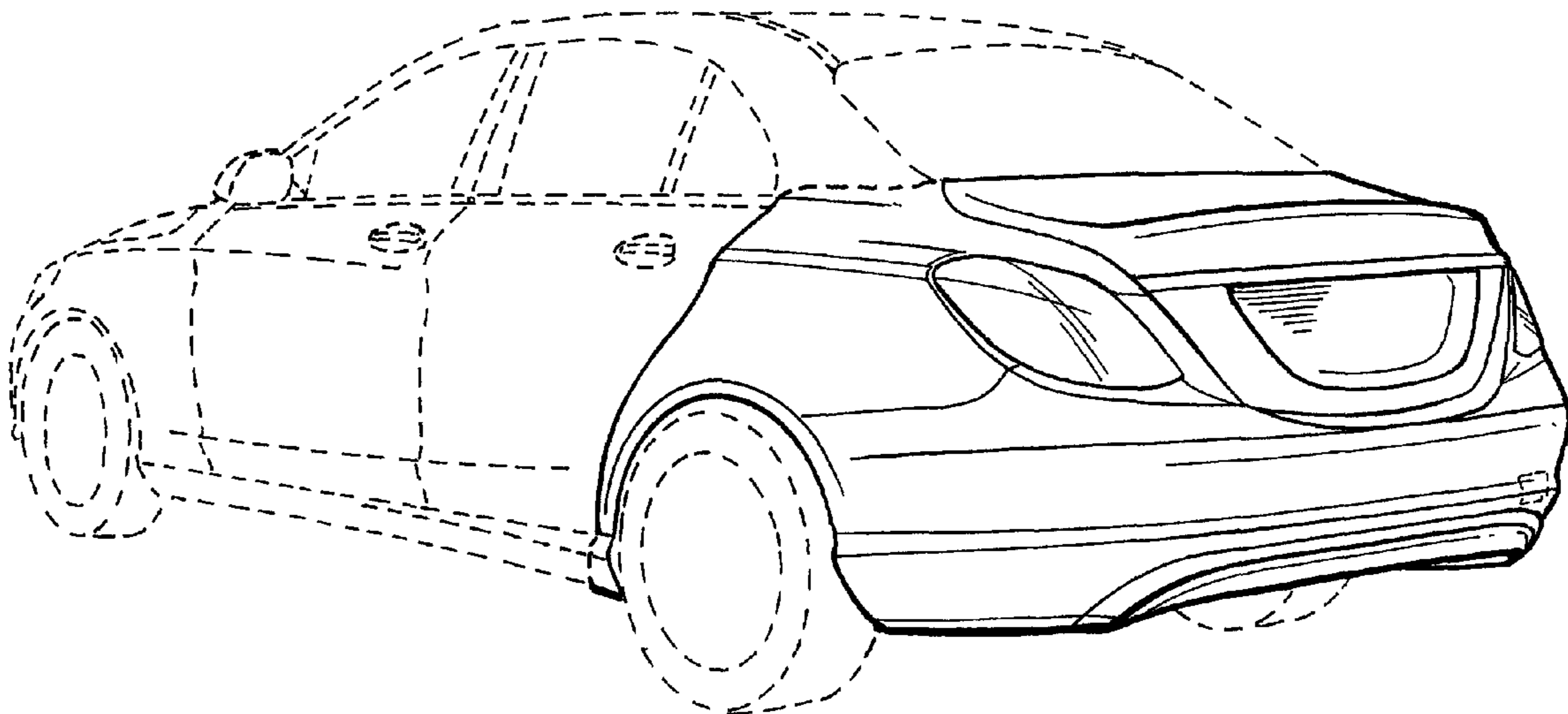
FIG. 2 is a front view thereof;

FIG. 3 is a left side view thereof, the right side view being mirror symmetrical; and,

FIG. 4 is a top view thereof.

The broken lines are for illustrative purposes only and form no part of the claimed design.

1 Claim, 3 Drawing Sheets



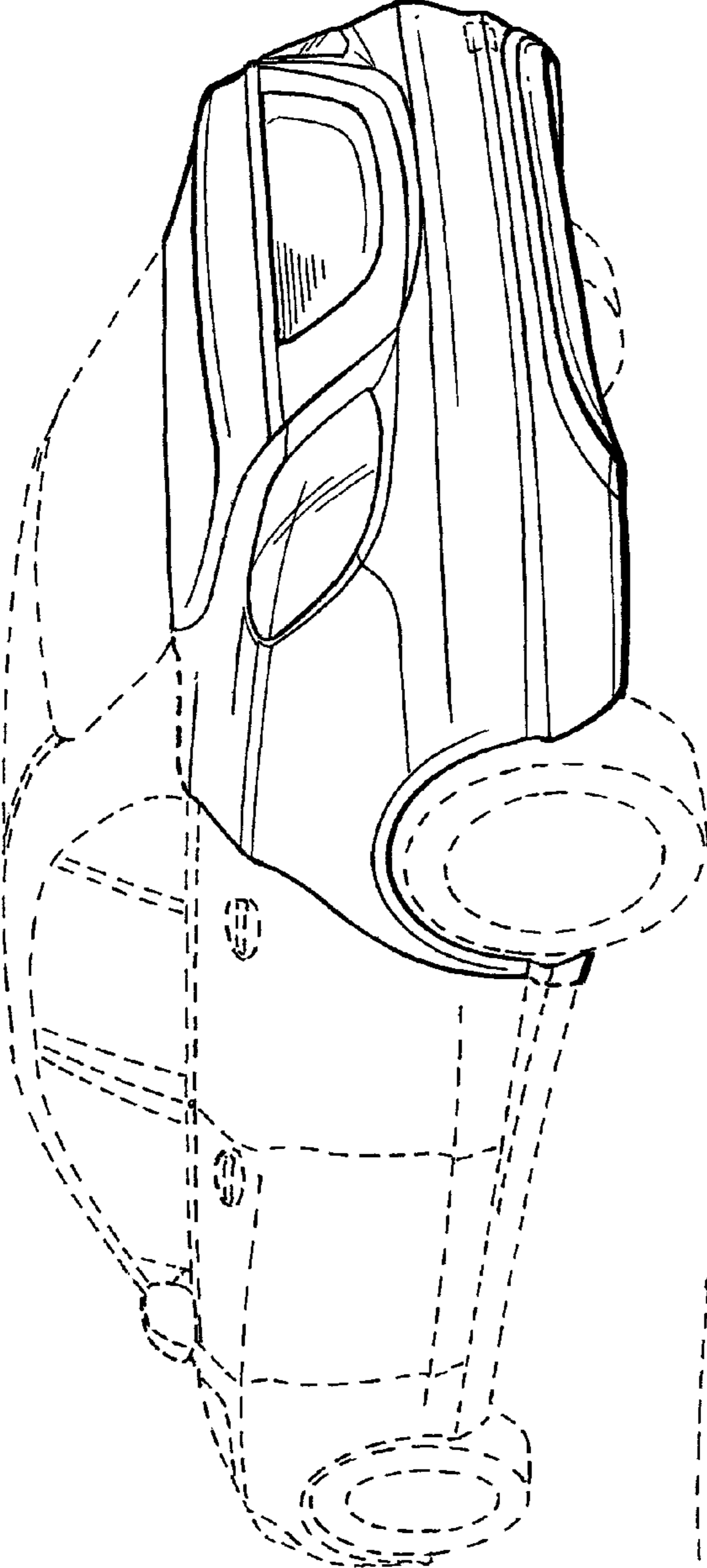


FIG. 1

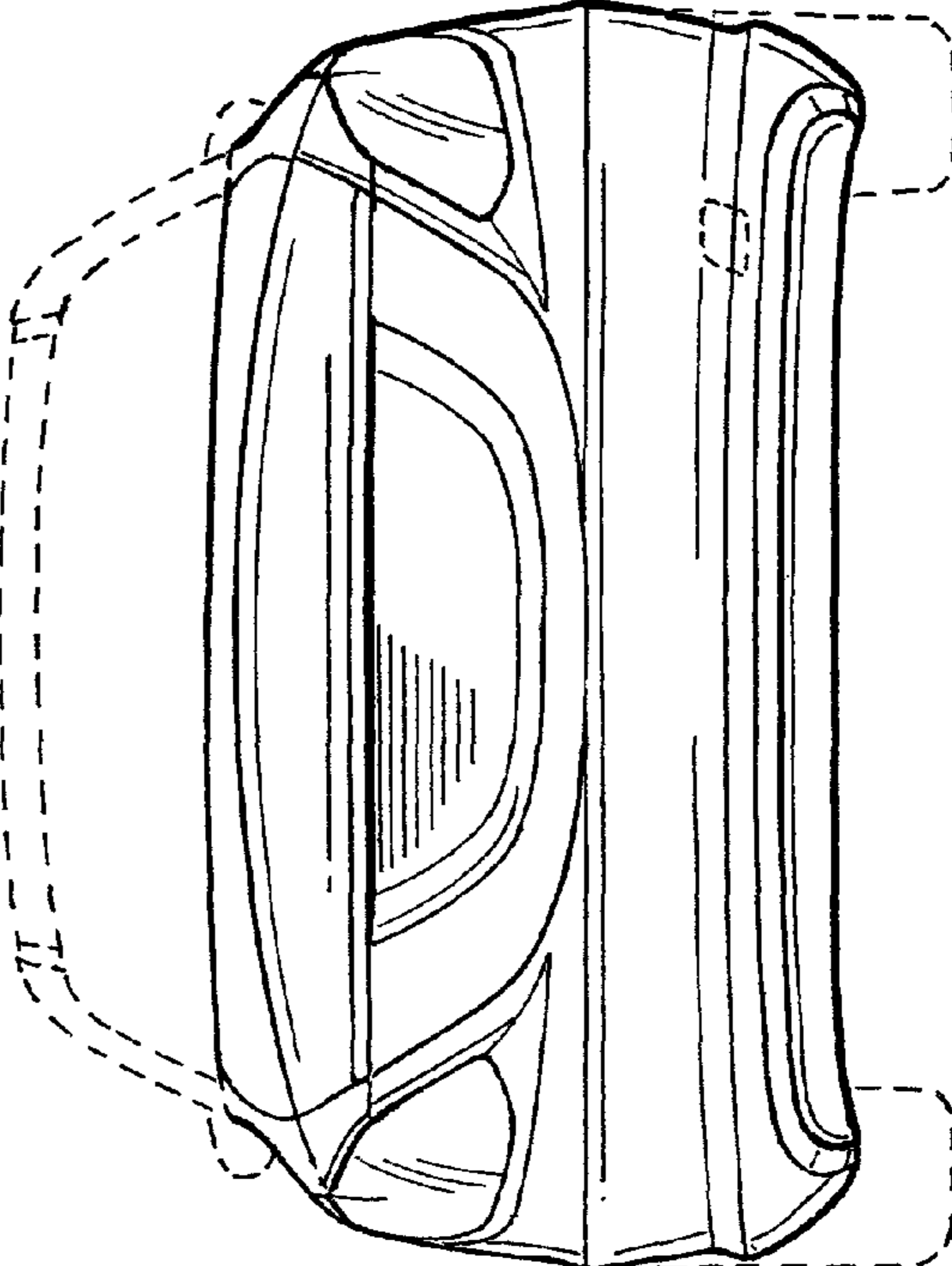


FIG. 2

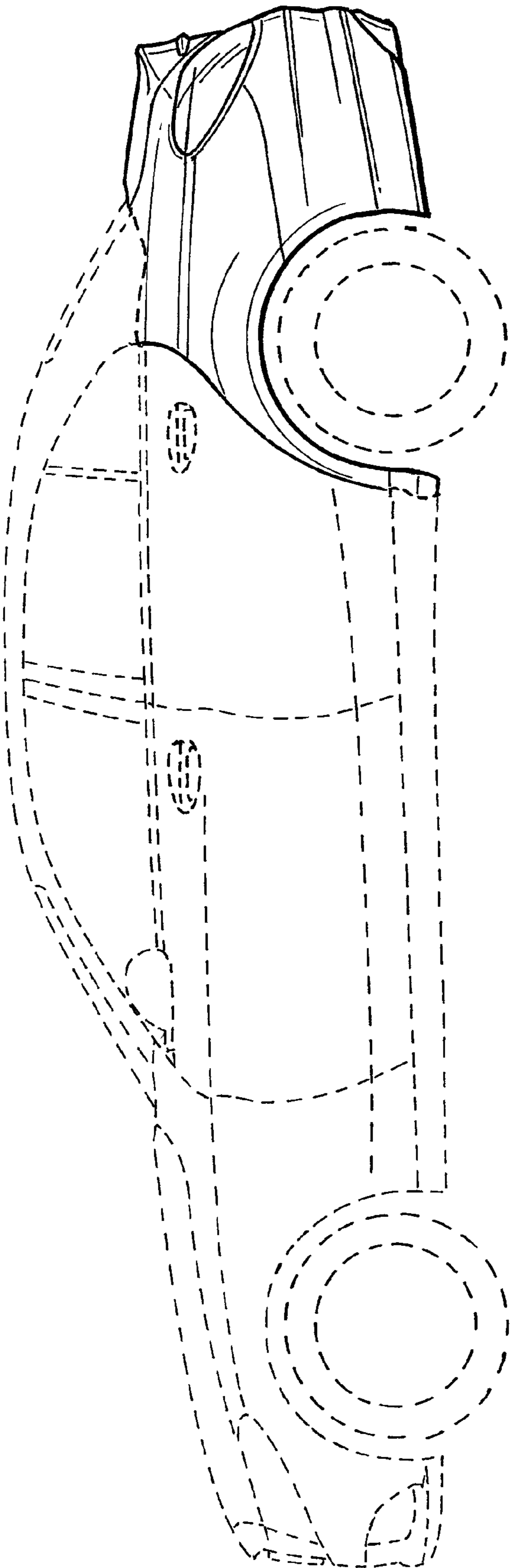


FIG. 3

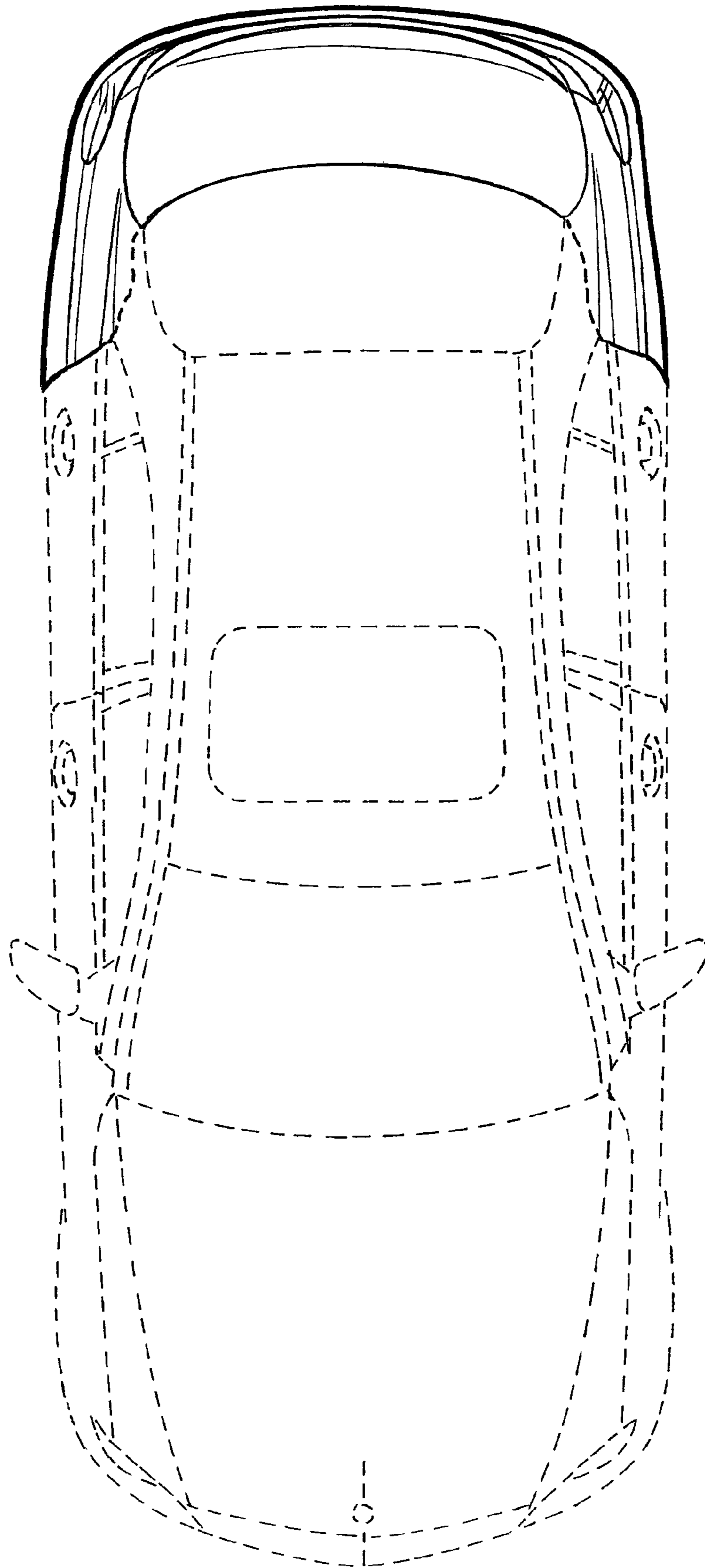


FIG. 4