



US00D711790S

(12) **United States Design Patent**  
**Futschik et al.**

(10) **Patent No.:** **US D711,790 S**  
(45) **Date of Patent:** **\*\* Aug. 26, 2014**

(54) **FRONT PORTION OF A VEHICLE, TOY,  
AND/OR REPLICAS THEREOF**

(56) **References Cited**

U.S. PATENT DOCUMENTS

(71) Applicant: **Daimler AG**, Stuttgart (DE)  
(72) Inventors: **Hans-Dieter Futschik**, Gechingen (DE);  
**Steffen Koehl**, Stuttgart (DE); **Robert  
Lesnik**, Leonberg (DE); **Gorden  
Wagener**, Gaeufelden (DE)

D540,216 S	4/2007	Pfeiffer	
D634,678 S *	3/2011	Futschik et al.	D12/164
D635,898 S *	4/2011	Baur et al.	D12/164
D680,035 S *	4/2013	Fetherston et al.	D12/164
D688,173 S *	8/2013	Fetherston et al.	D12/164
D701,474 S *	3/2014	Fetherston et al.	D12/164
D701,798 S *	4/2014	Futschik et al.	D12/164
D704,602 S *	5/2014	Frenzel et al.	D12/164

\* cited by examiner

(73) Assignee: **Daimler AG**, Stuttgart (DE)

*Primary Examiner* — Melody Brown

(\*\*) Term: **14 Years**

(74) *Attorney, Agent, or Firm* — Crowell & Moring LLP

(21) Appl. No.: **29/455,967**

(57) **CLAIM**

The ornamental design for a front portion of a vehicle, toy,  
and/or replicas thereof, as shown and described.

(22) Filed: **May 28, 2013**

**DESCRIPTION**

(30) **Foreign Application Priority Data**

Nov. 29, 2012 (EP) ..... 1001353163-0002

This application contains subject matter related to the follow-  
ing co-pending U.S. design patent application:  
Application Ser. No. 29/455,966, filed herewith and entitled  
“Vehicle, Toy, and/or Replicas Thereof”.

(51) **LOC (10) Cl.** ..... **12-16**

FIG. 1 is a left perspective view of a front portion of a vehicle,  
toy, and/or replicas thereof according to the design;

(52) **U.S. Cl.**  
USPC ..... **D12/164**

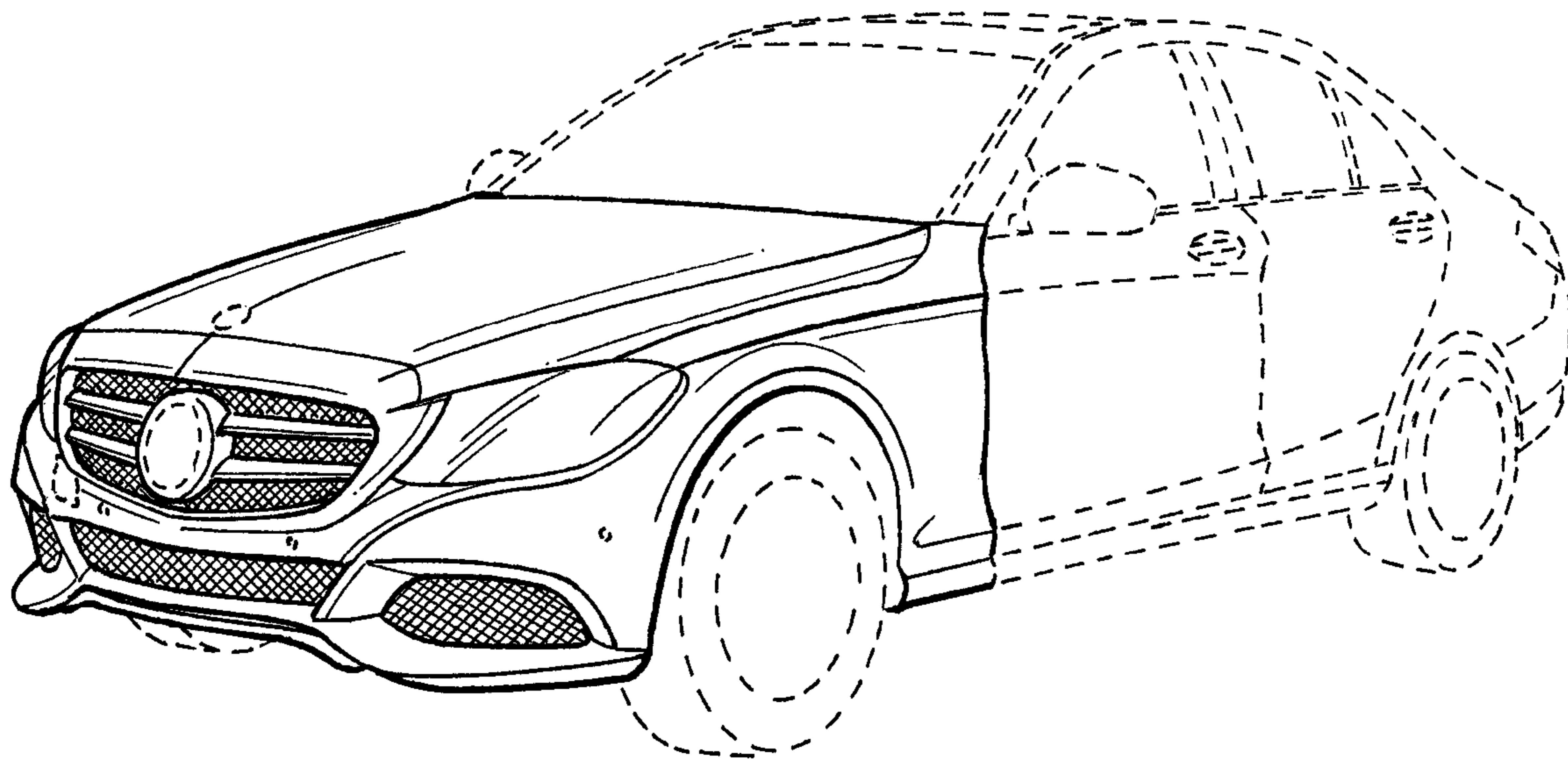
FIG. 2 is a front view thereof;

(58) **Field of Classification Search**  
USPC ..... D12/86, 90–92, 88, 164; D21/424, 433,  
D21/434; 296/181.1, 181.5  
See application file for complete search history.

FIG. 3 is a left side view thereof, the right side view being  
mirror symmetrical; and,  
FIG. 4 is a top view thereof.

The broken lines are for illustrative purposes only and form  
no part of the claimed design.

**1 Claim, 3 Drawing Sheets**



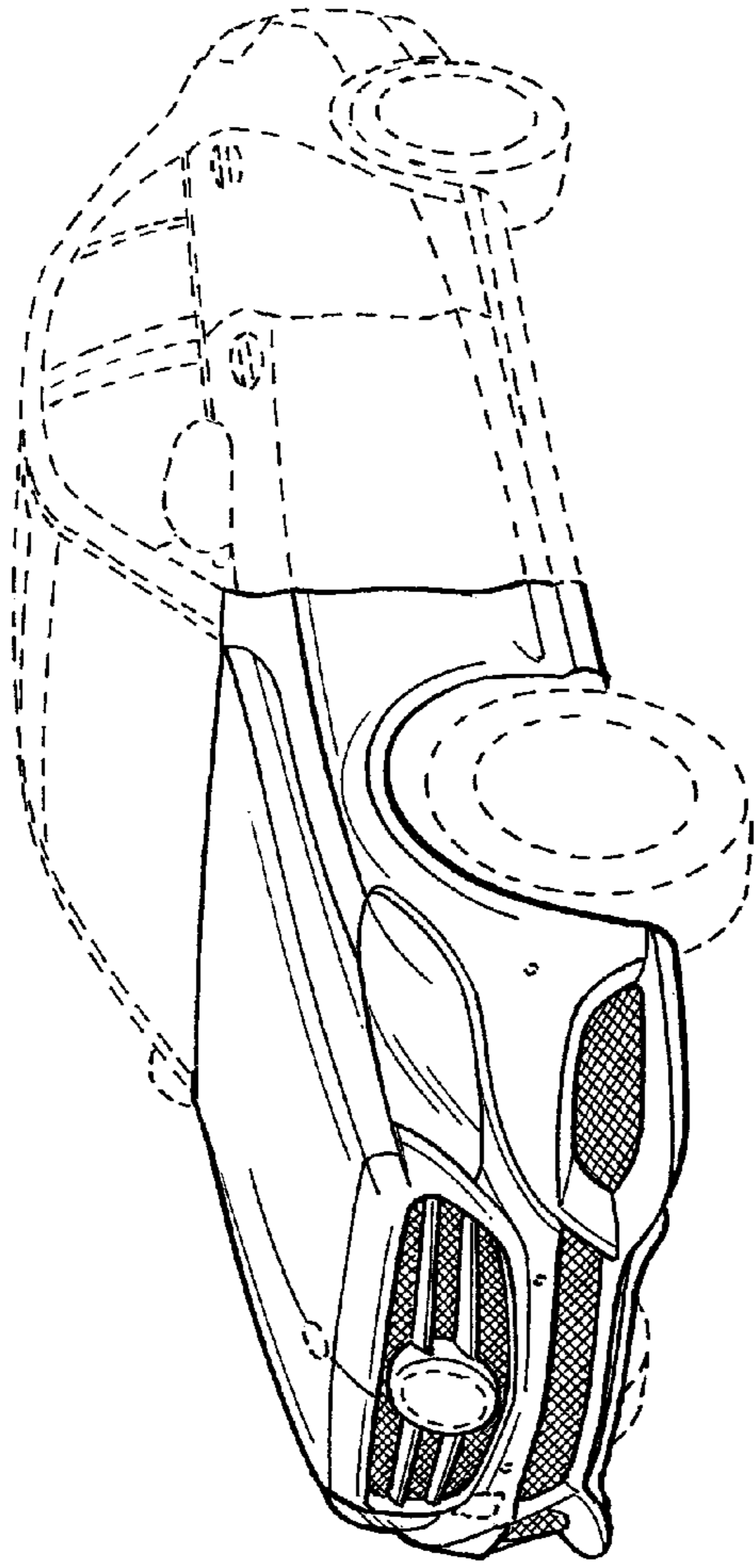


FIG. 1

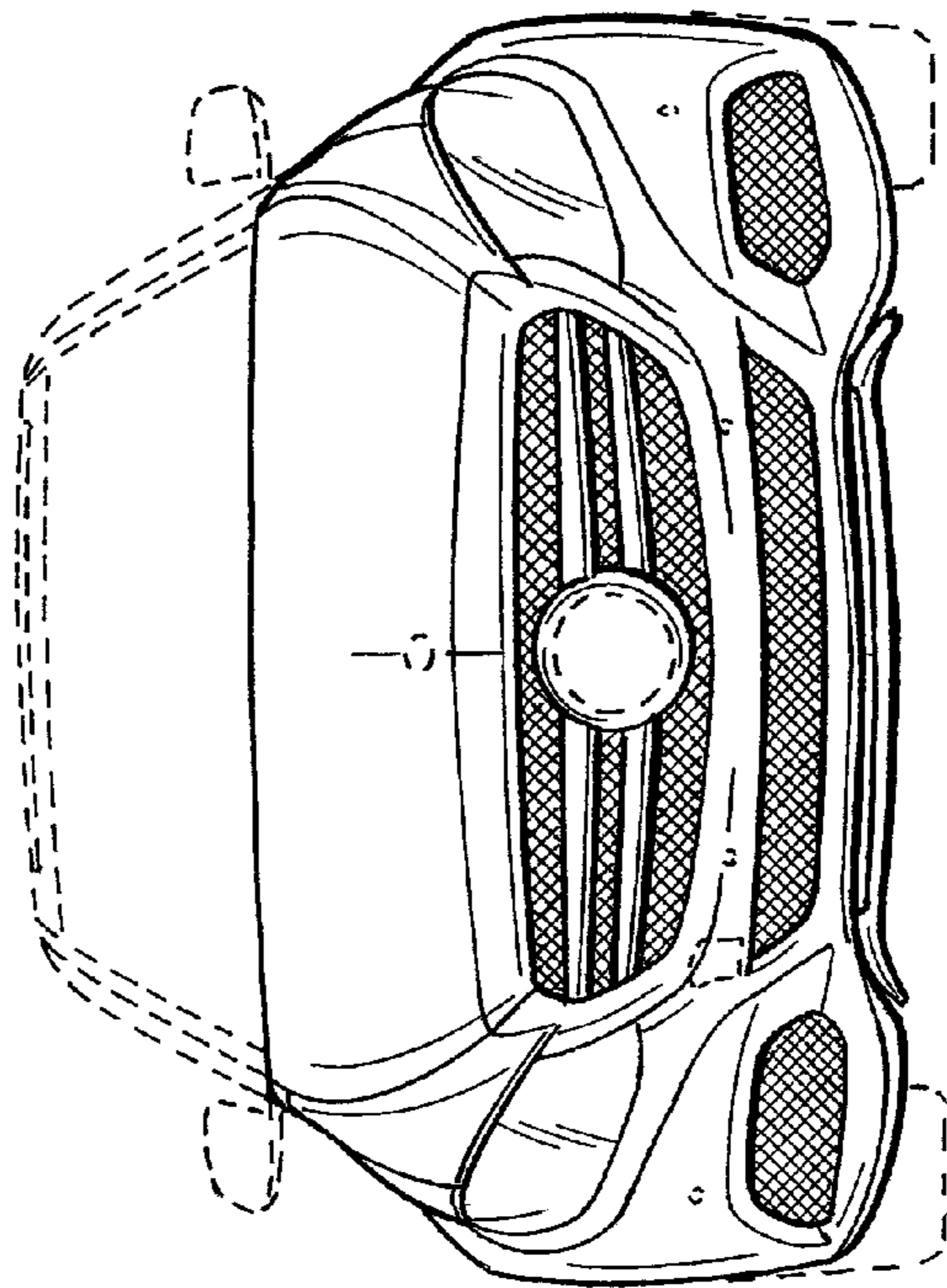


FIG. 2

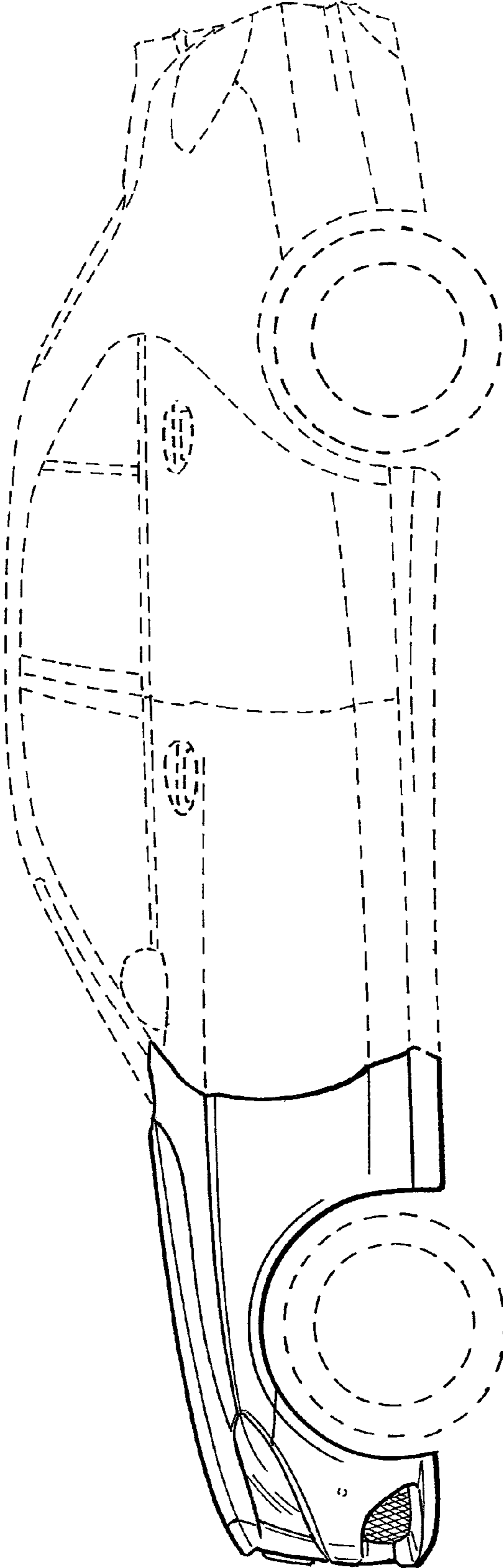


FIG. 3

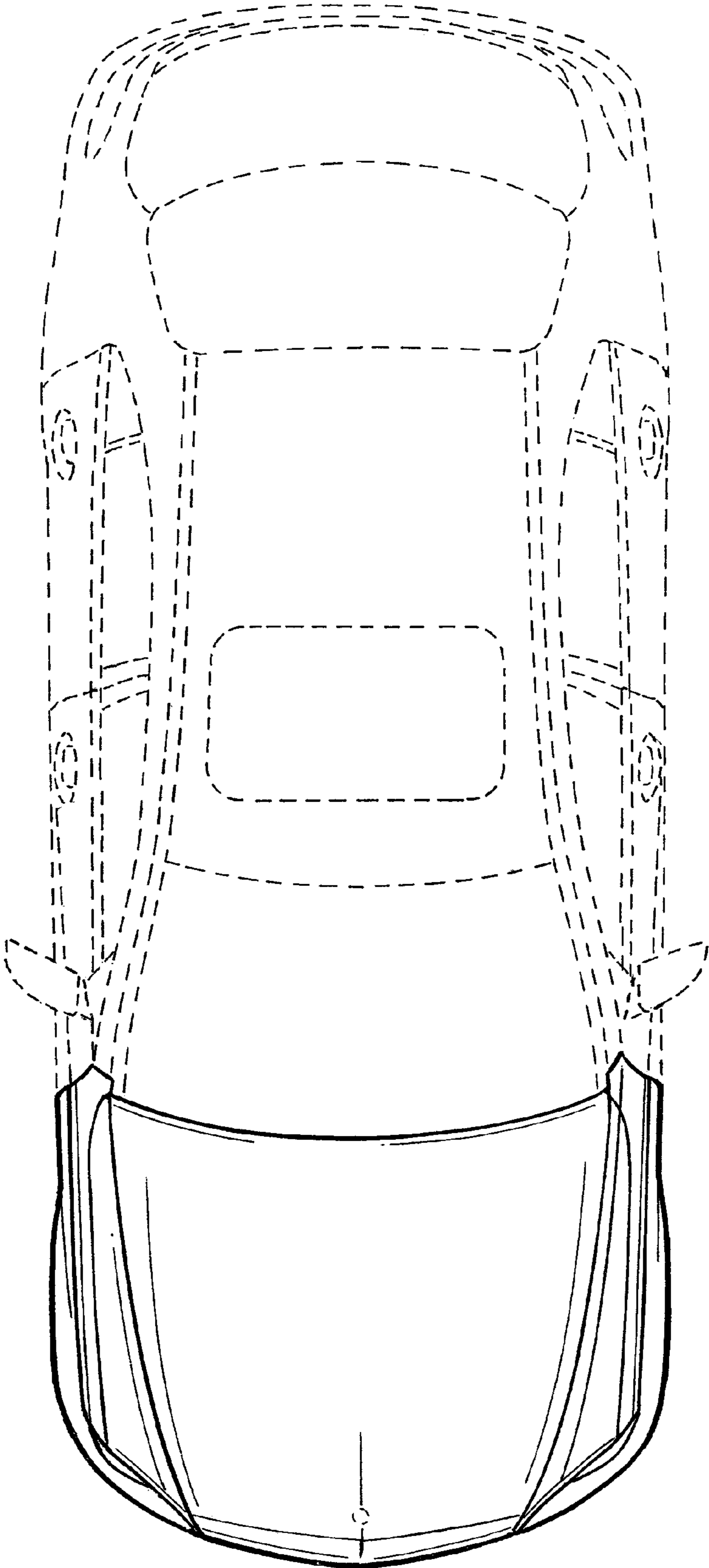


FIG. 4