

US00D711789S

(12) **United States Design Patent**
Sahara et al.

(10) **Patent No.:** **US D711,789 S**

(45) **Date of Patent:** **** Aug. 26, 2014**

(54) **GRILLE**

(71) Applicant: **Honda Motor Co., Ltd.**, Tokyo (JP)

(72) Inventors: **Ken Sahara**, Monterey Park, CA (US);
Tetsuya Wasada, Tokyo (JP)

(73) Assignee: **Honda Motor Co., Ltd.**, Tokyo (JP)

(**) Term: **14 Years**

(21) Appl. No.: **29/450,973**

(22) Filed: **Mar. 26, 2013**

(51) **LOC (10) Cl.** **12-16**

(52) **U.S. Cl.**
USPC **D12/163**

(58) **Field of Classification Search**
USPC D12/163, 196, 86, 90-92, 216, 96, 97,
D12/173; 180/68.1, 68.6, 69.2, 69.21;
296/193.11
See application file for complete search history.

(56) **References Cited**

U.S. PATENT DOCUMENTS

D562,741 S * 2/2008 Matsumoto et al. D12/163
D565,480 S * 4/2008 McMahan D12/163

D616,341 S * 5/2010 Fukui et al. D12/163
D616,342 S * 5/2010 Kim D12/163
D625,670 S * 10/2010 Roller et al. D12/163
D633,831 S * 3/2011 Matei et al. D12/163
D637,531 S * 5/2011 Miyazawa D12/163
D642,964 S * 8/2011 Miyazawa D12/163

* cited by examiner

Primary Examiner — Melody Brown

(74) *Attorney, Agent, or Firm* — Westerman, Hattori,
Daniels & Adrian, LLP

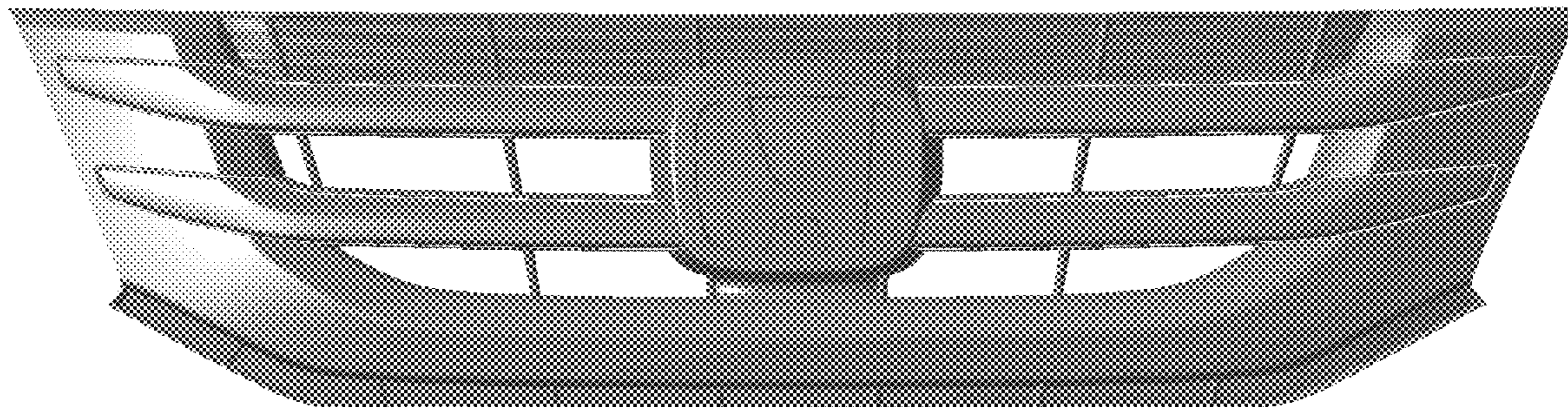
(57) **CLAIM**

The ornamental design for a grille, as shown and described.

DESCRIPTION

FIG. 1 is a front perspective view of a grille showing our new design;
FIG. 2 is a front elevational view thereof;
FIG. 3 is a top plan view thereof; and,
FIG. 4 is a left side view, the right side elevational view being a mirror image thereof.

1 Claim, 4 Drawing Sheets



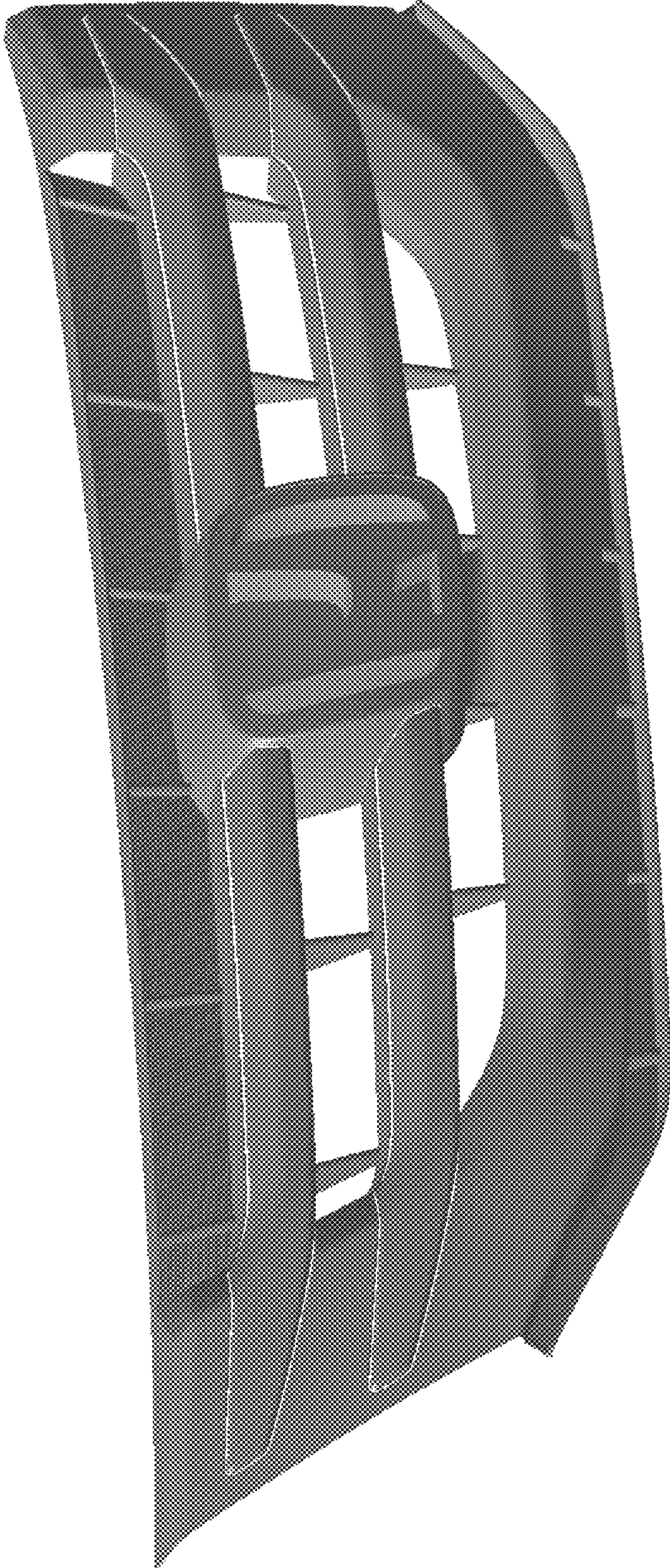


FIG. 1

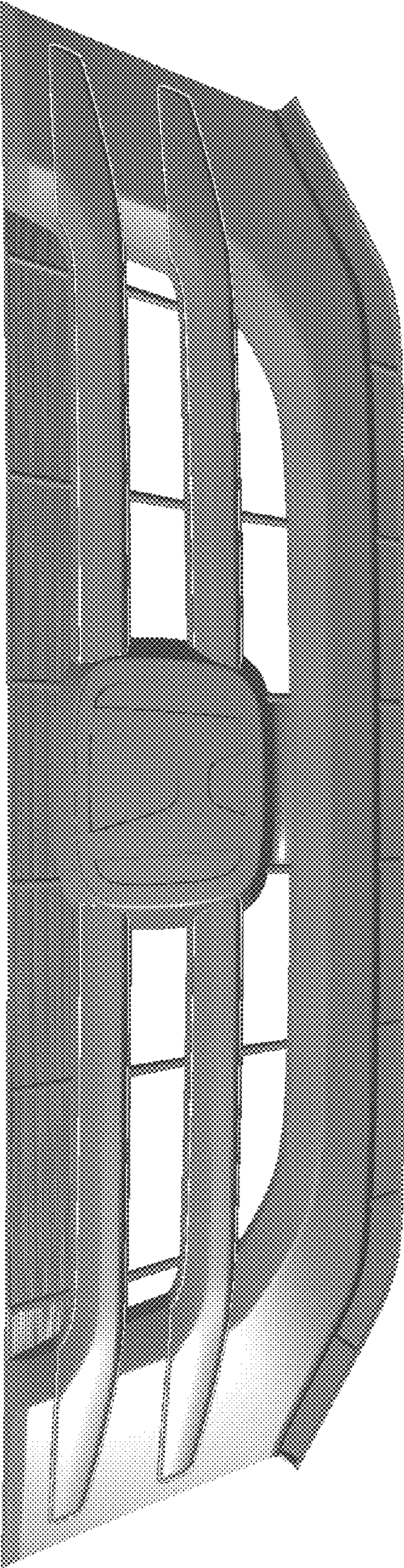


FIG. 2

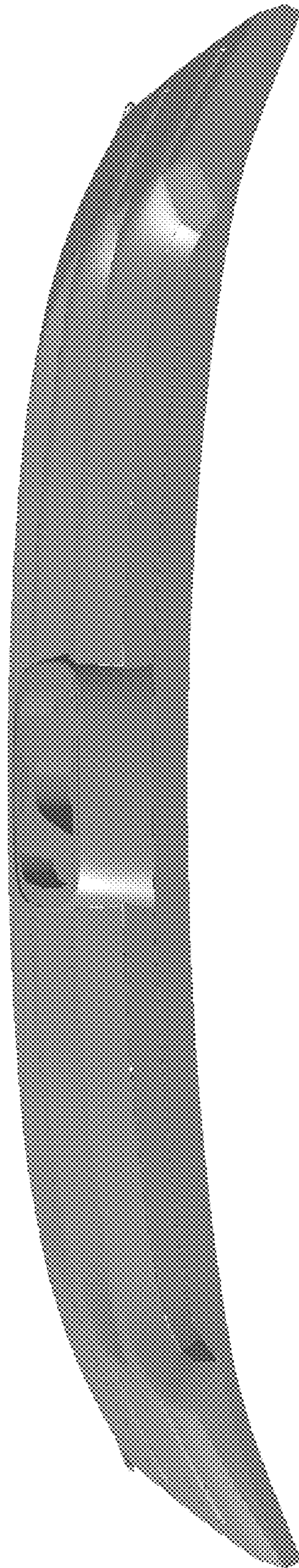


FIG. 3

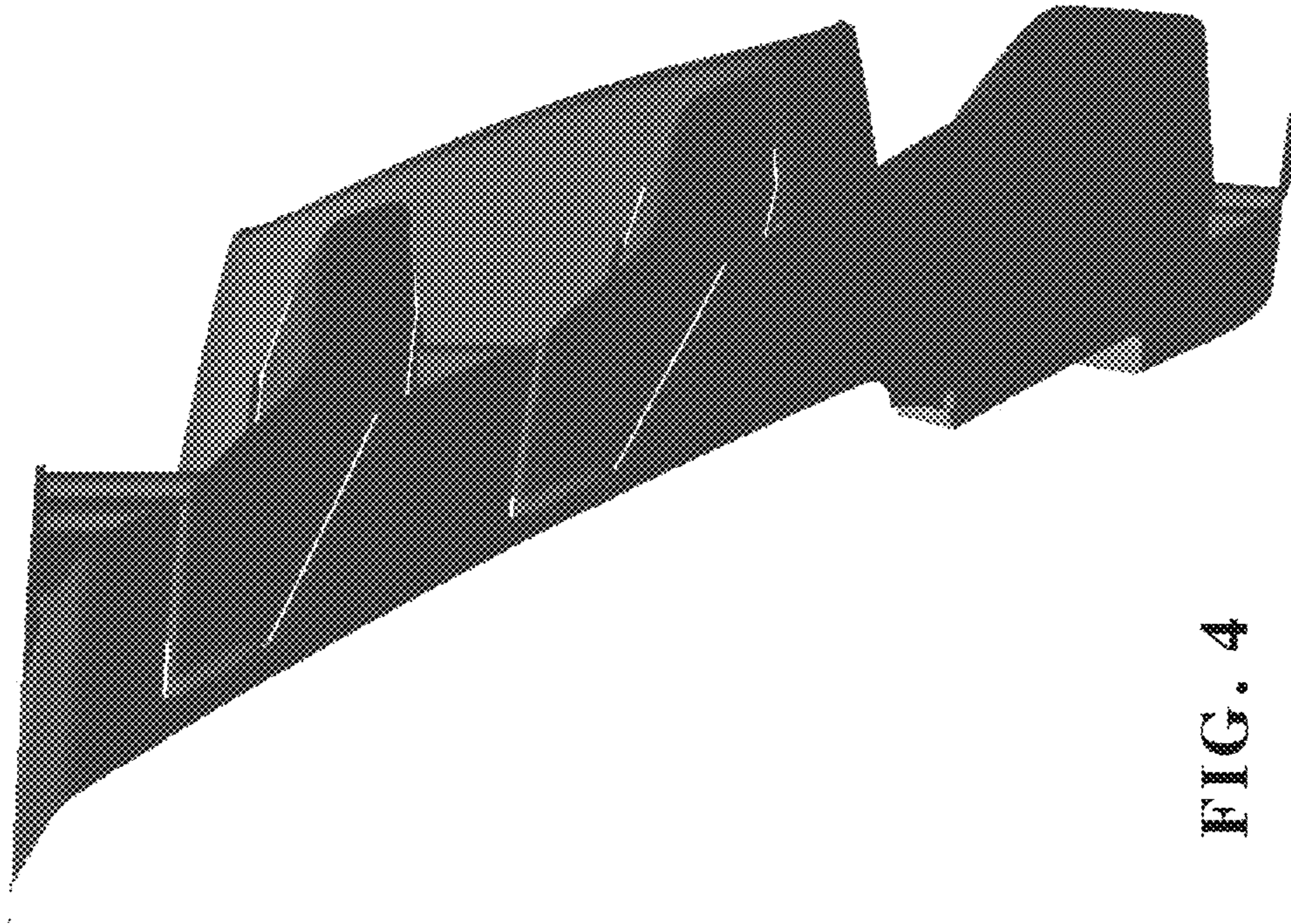


FIG. 4