



US00D711787S

(12) **United States Design Patent**
Brzustowicz

(10) **Patent No.:** **US D711,787 S**

(45) **Date of Patent:** **** Aug. 26, 2014**

(54) **VEHICLE, TOY, AND/OR REPLICAS THEREOF**

Primary Examiner — Melody Brown

(74) *Attorney, Agent, or Firm* — Crowell & Moring LLP

(71) Applicant: **Daimler AG**, Stuttgart (DE)

(72) Inventor: **John Brzustowicz**, Concord, NC (US)

(57) **CLAIM**

The ornamental design for a vehicle, toy, and/or replicas thereof, as shown and described.

(73) Assignee: **Daimler AG**, Stuttgart (DE)

(**) Term: **14 Years**

(21) Appl. No.: **29/456,123**

DESCRIPTION

(22) Filed: **May 29, 2013**

This application contains subject matter related to the following co-pending U.S. design patent applications:

(51) **LOC (10) Cl.** **12-16**

Application Ser. No. 29/456,122, filed herewith and entitled "Vehicle, Toy, and/or Replicas Thereof";

(52) **U.S. Cl.**

USPC **D12/96**

Application Ser. No. 29/456,124, filed herewith and entitled "Vehicle, Toy, and/or Replicas Thereof";

(58) **Field of Classification Search**

USPC D12/93, 96, 97, 99; D21/424, 434, 581; 180/89.16, 89.18, 89.19; 296/183.1

Application Ser. No. 29/456,125, filed herewith and entitled "Fairing for a Vehicle";

See application file for complete search history.

Application Ser. No. 29/456,126, filed herewith and entitled "Fairing for a Vehicle"; and

(56) **References Cited**

U.S. PATENT DOCUMENTS

| | | | | |
|--------------|---------|--------------------|-------|--------|
| D460,023 S * | 7/2002 | Beigel | | D12/96 |
| D465,749 S * | 11/2002 | Beigel | | D12/96 |
| D489,649 S * | 5/2004 | Satou et al. | | D12/96 |
| D542,715 S * | 5/2007 | Beigel et al. | | D12/96 |
| D550,127 S * | 9/2007 | Pfeiffer | | D12/96 |
| D626,890 S * | 11/2010 | Cantemir | | D12/96 |
| D677,196 S * | 3/2013 | Salaverry et al. | | D12/93 |
| D685,294 S * | 7/2013 | Hanson et al. | | D12/96 |
| D700,109 S * | 2/2014 | Brzustowicz et al. | | D12/96 |

Application Ser. No. 29/456,128, filed herewith and entitled "Bumper for a Vehicle".

FIG. 1 is a left, front perspective view of a vehicle, toy, and/or replicas thereof according to the design;

FIG. 2 is a left side view thereof, the right side view being mirror symmetrical;

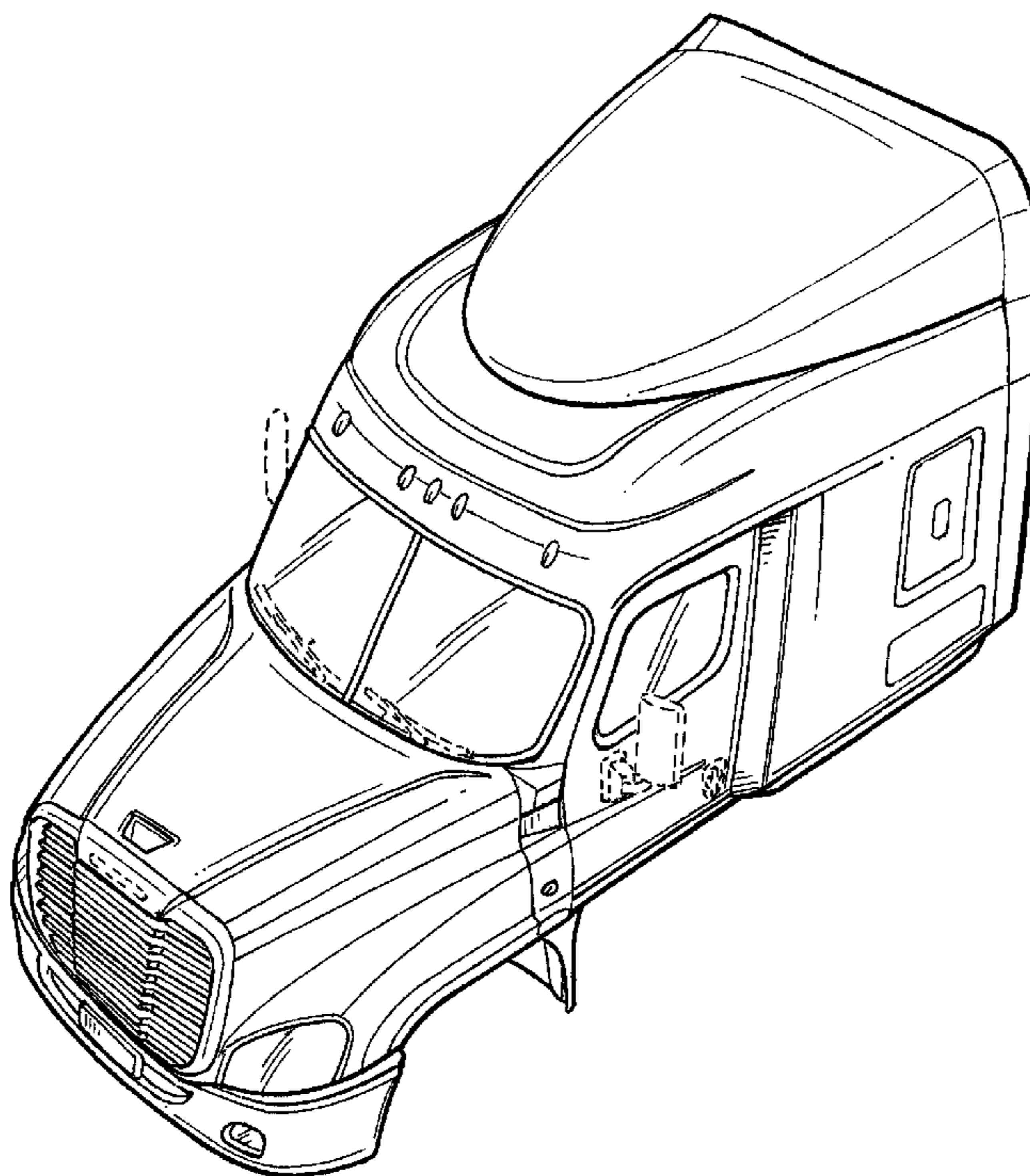
FIG. 3 is a front view thereof; and,

FIG. 4 is a top view thereof.

The broken lines are for illustrative purposes only and form no part of the claimed design.

* cited by examiner

1 Claim, 4 Drawing Sheets



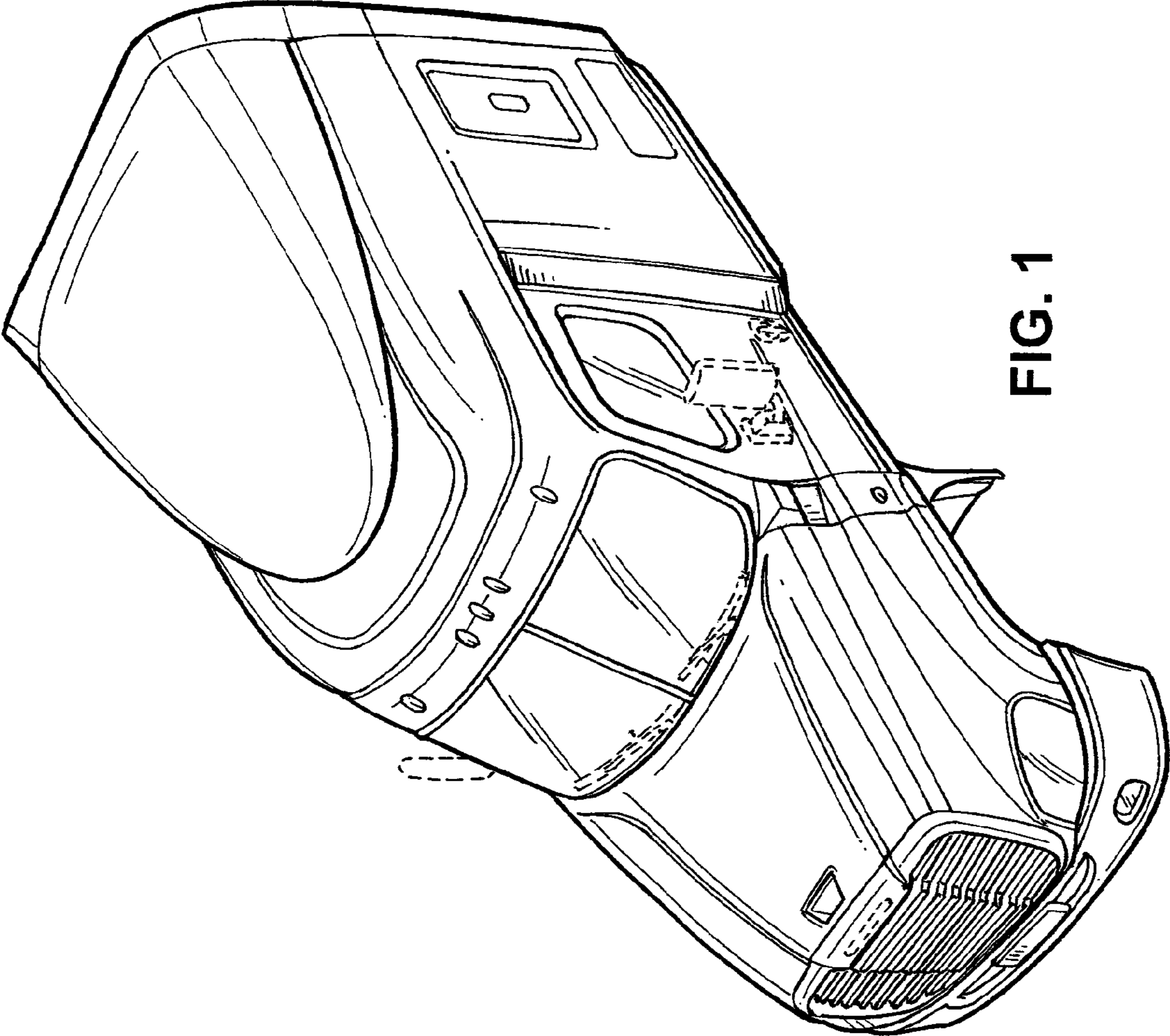


FIG. 1

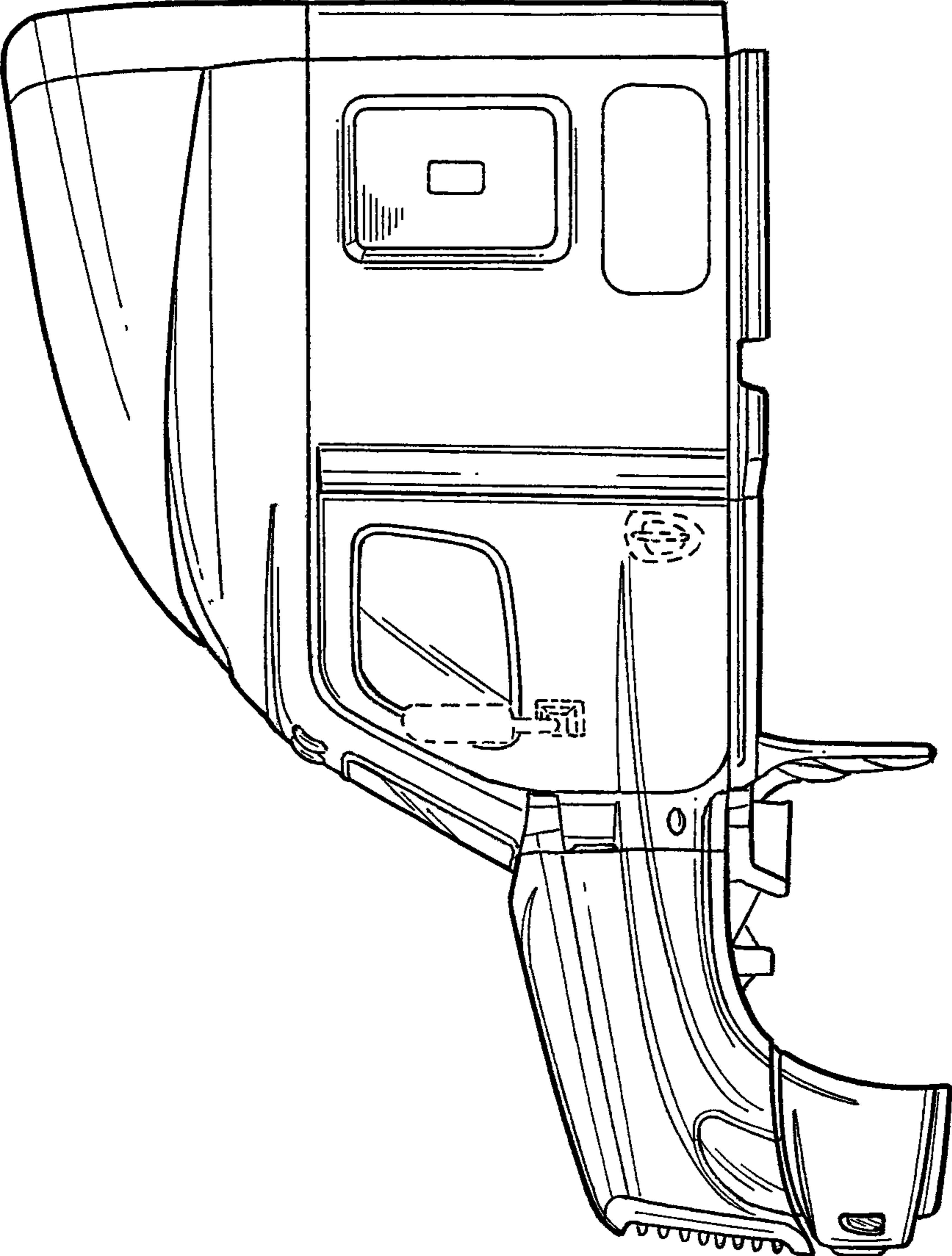


FIG. 2

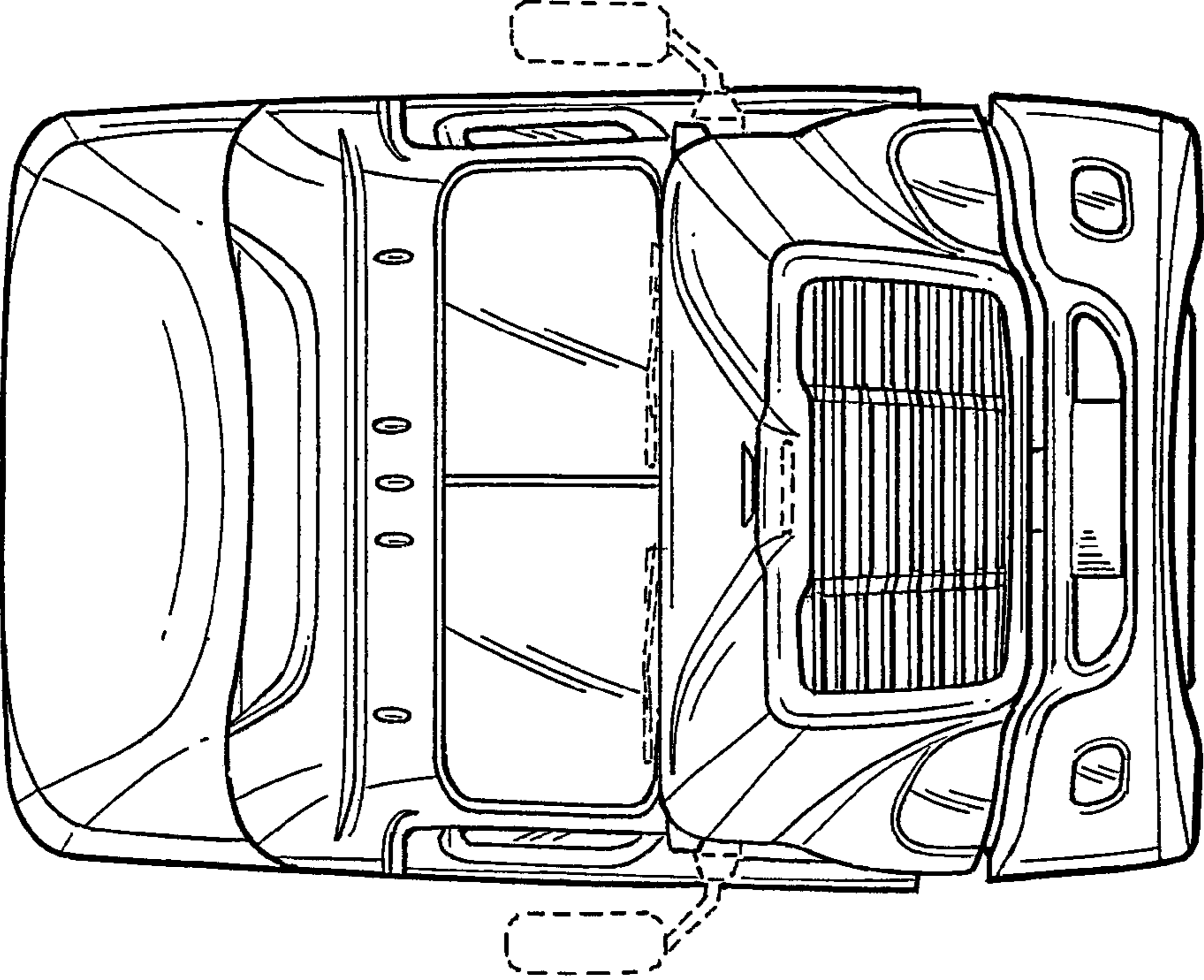


FIG. 3

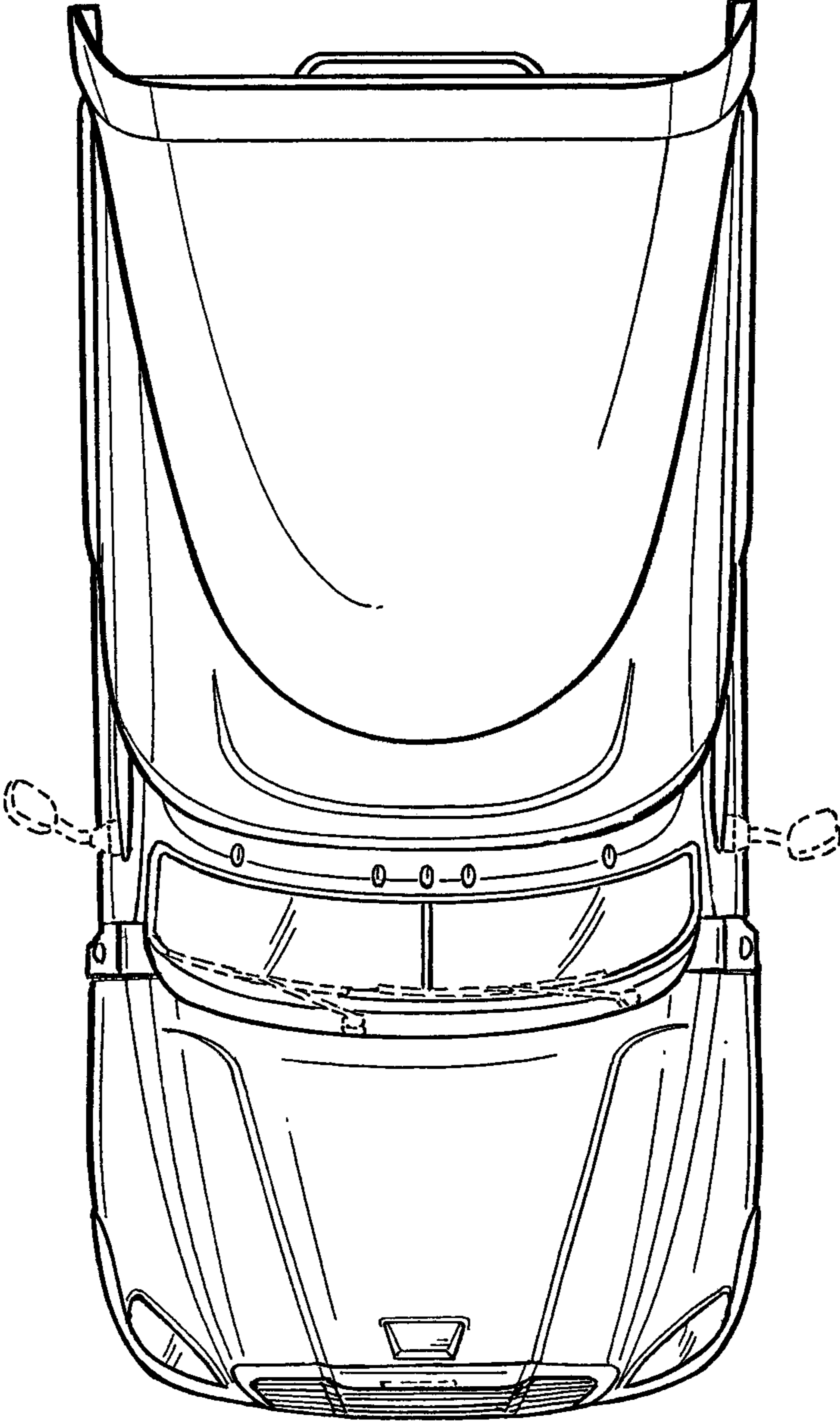


FIG. 4