



US00D711786S

(12) **United States Design Patent**  
**Brzustowicz et al.**

(10) **Patent No.:** **US D711,786 S**

(45) **Date of Patent:** **\*\* Aug. 26, 2014**

(54) **VEHICLE, TOY, AND/OR REPLICAS THEREOF**

D677,196 S \* 3/2013 Salaverry et al. .... D12/93  
D685,294 S \* 7/2013 Hanson et al. .... D12/96  
D700,109 S \* 2/2014 Brzustowicz et al. .... D12/96

(71) Applicant: **Daimler AG**, Stuttgart (DE)

\* cited by examiner

(72) Inventors: **John Brzustowicz**, Concord, NC (US);  
**Tracy Simpson-Meyer**, Battleground, WA (US)

*Primary Examiner* — Melody Brown

(74) *Attorney, Agent, or Firm* — Crowell & Moring LLP

(73) Assignee: **Daimler AG**, Stuttgart (DE)

(57) **CLAIM**

The ornamental design for a vehicle, toy, and/or replicas thereof, as shown and described.

(\*\*) Term: **14 Years**

**DESCRIPTION**

(21) Appl. No.: **29/456,122**

This application contains subject matter related to the following co-pending U.S. design patent applications:

(22) Filed: **May 29, 2013**

Application Ser. No. 29/456,123, filed herewith and entitled "Vehicle, Toy, and/or Replicas Thereof";

(51) **LOC (10) Cl.** ..... **12-16**

Application Ser. No. 29/456,124, filed herewith and entitled "Vehicle, Toy, and/or Replicas Thereof";

(52) **U.S. Cl.**

Application Ser. No. 29/456,128, filed herewith and entitled "Bumper for a Vehicle"; and

USPC ..... **D12/96**

Application Ser. No. 29/456,129, filed herewith and entitled "Fairing for a Vehicle".

(58) **Field of Classification Search**

USPC ..... D12/93, 96, 97, 99; D21/424, 434, 581;  
180/89.16, 89.18, 89.19; 296/183.1

See application file for complete search history.

FIG. 1 is a left, front perspective view of a vehicle, toy, and/or replicas thereof according to the design;

FIG. 2 is a front view thereof;

FIG. 3 is a left side view thereof, the right side view being mirror symmetrical; and,

FIG. 4 is a top view thereof.

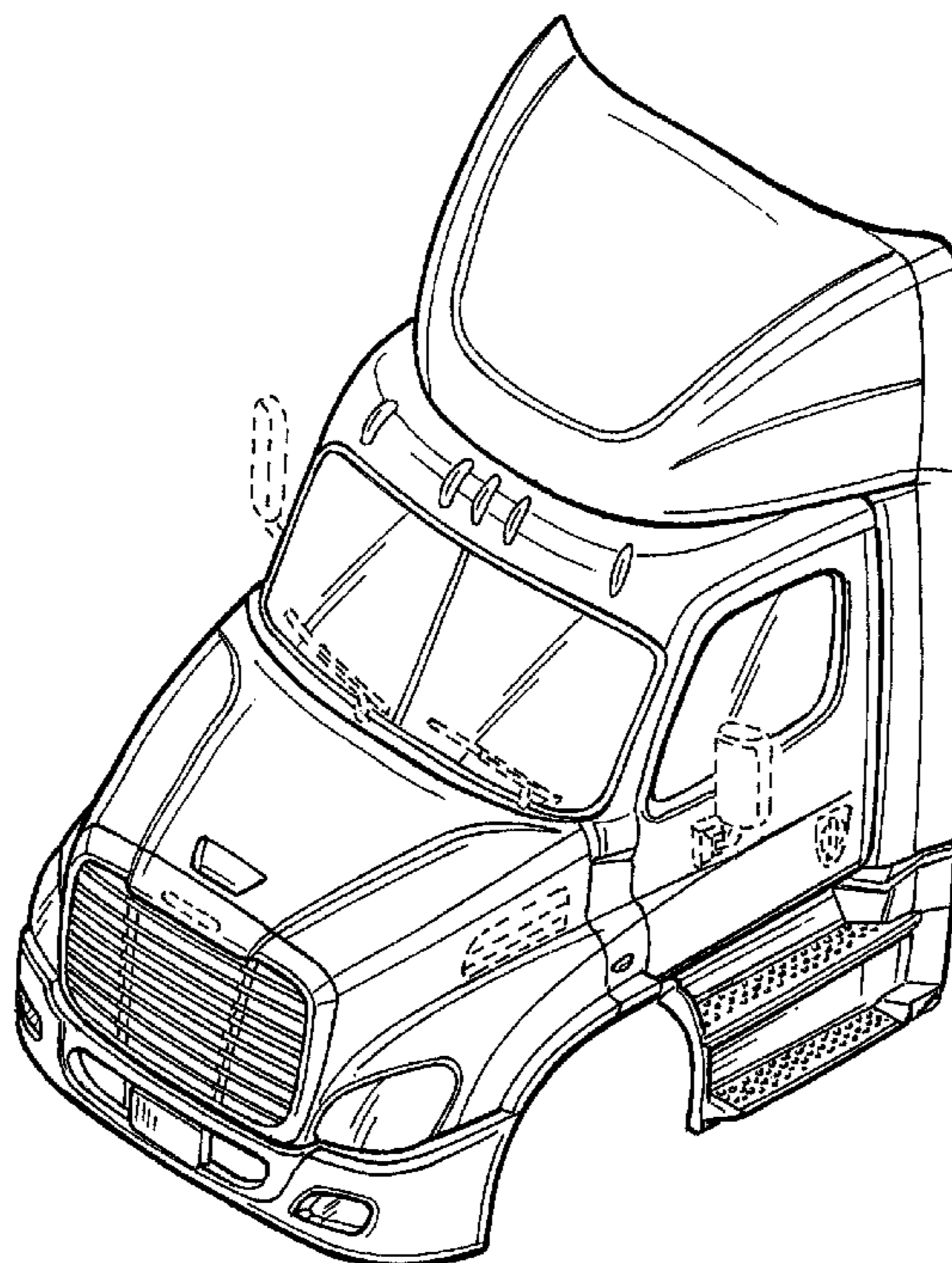
The broken lines are for illustrative purposes only and form no part of the claimed design.

(56) **References Cited**

**U.S. PATENT DOCUMENTS**

D460,023 S \* 7/2002 Beigel ..... D12/96  
D465,749 S \* 11/2002 Beigel ..... D12/96  
D489,649 S \* 5/2004 Satou et al. .... D12/96  
D542,715 S \* 5/2007 Beigel et al. .... D12/96  
D550,127 S \* 9/2007 Pfeiffer ..... D12/96  
D626,890 S \* 11/2010 Cantemir ..... D12/96

**1 Claim, 2 Drawing Sheets**



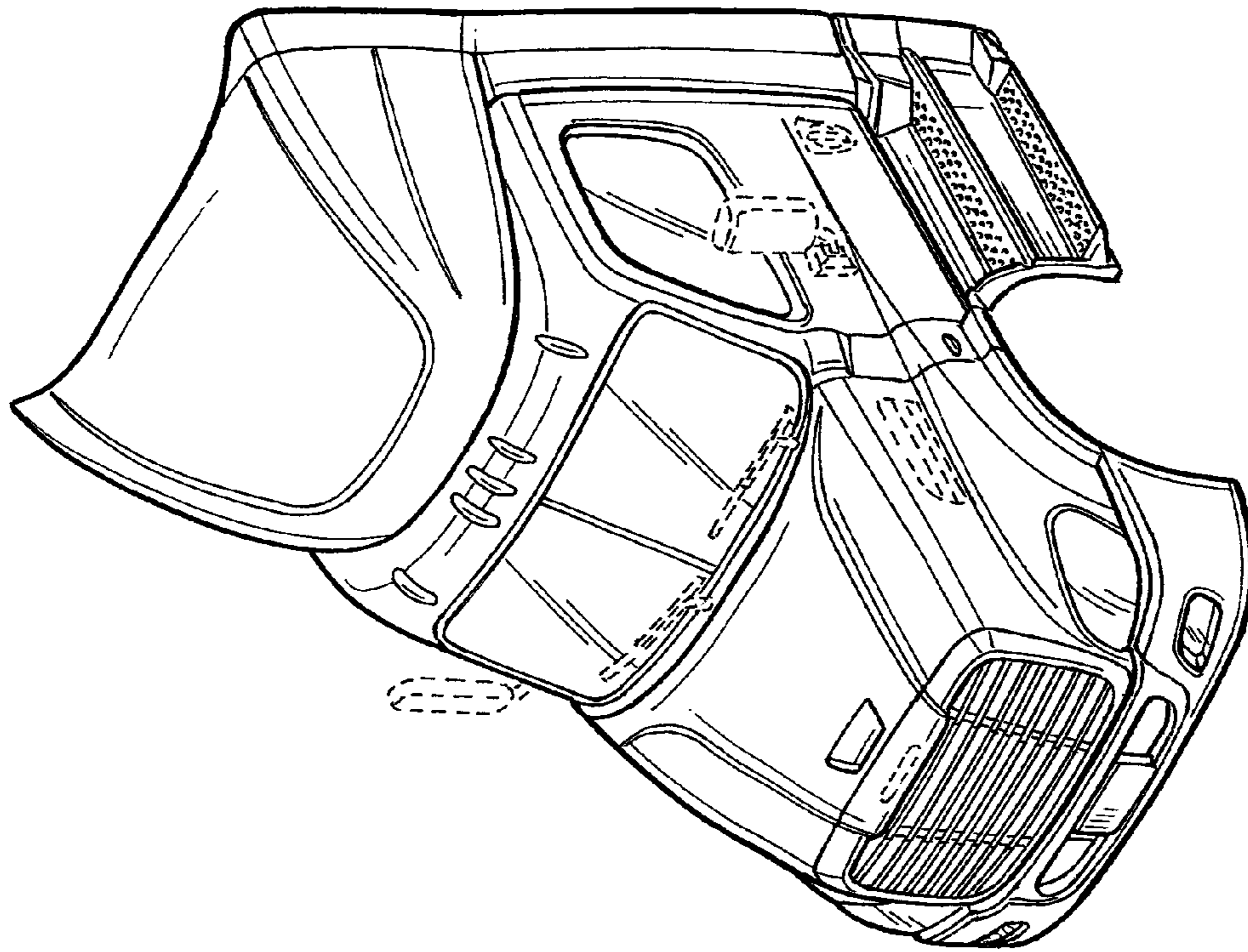


FIG. 1

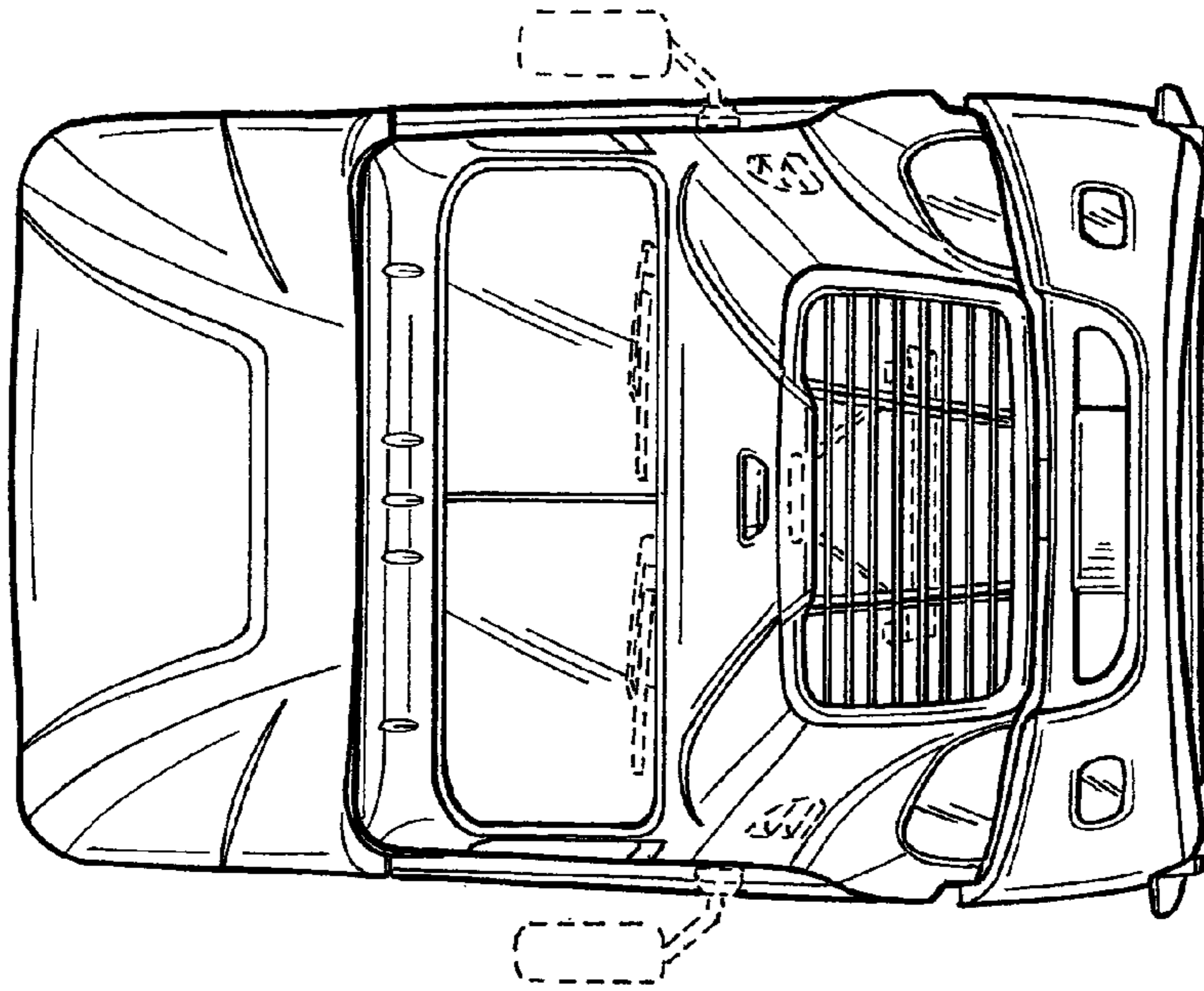


FIG. 2

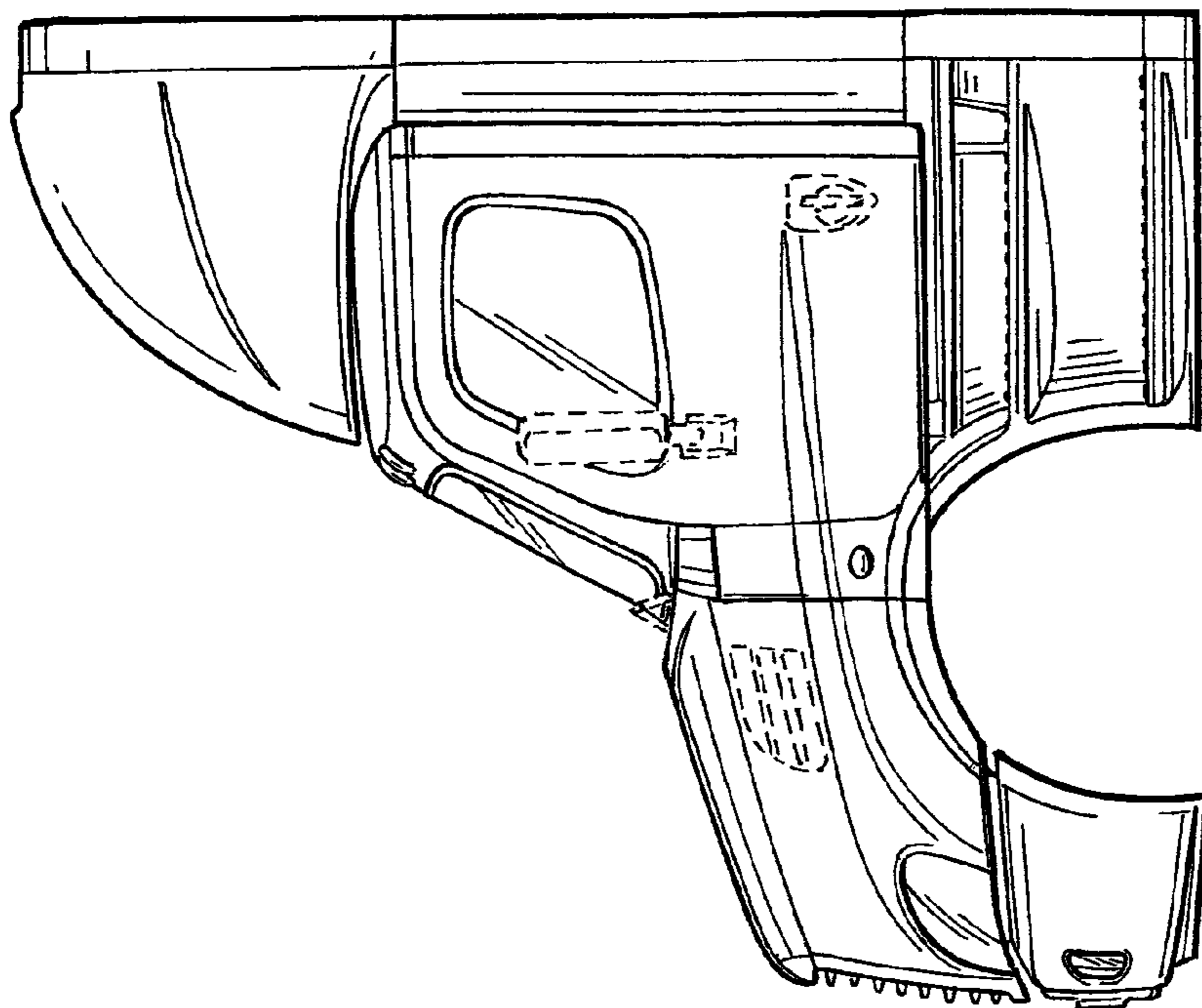


FIG. 3

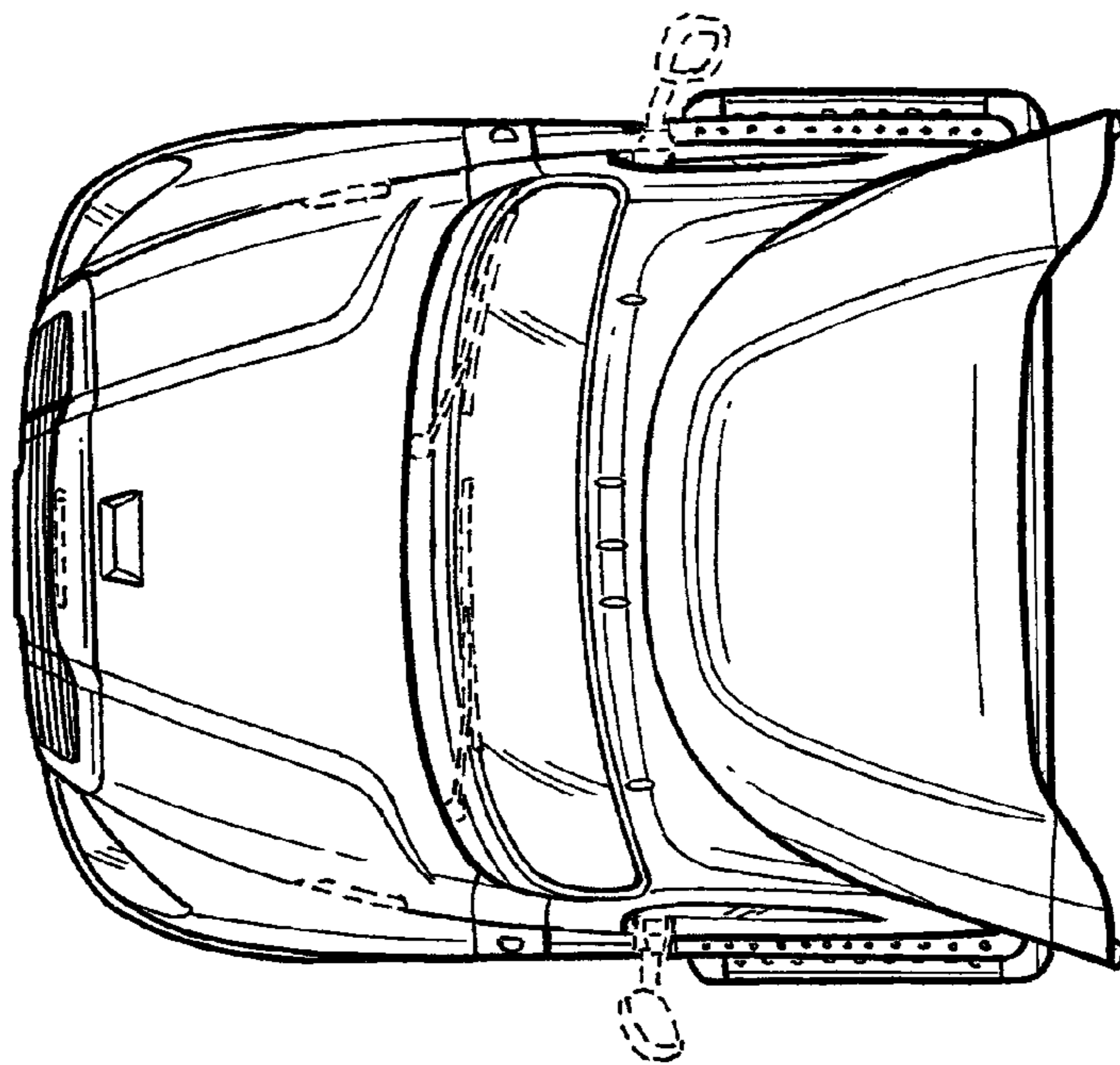


FIG. 4