



US00D711782S

(12) **United States Design Patent**  
**Witowski**

(10) **Patent No.:** **US D711,782 S**

(45) **Date of Patent:** **\*\* Aug. 26, 2014**

(54) **VEHICLE**

(75) Inventor: **Karl Witowski**, Etting (DE)

(73) Assignee: **Audi AG**, Ingolstadt (DE)

(\*\*) Term: **14 Years**

(21) Appl. No.: **29/428,938**

(22) Filed: **Aug. 6, 2012**

(30) **Foreign Application Priority Data**

Feb. 8, 2012 (EM) ..... 001 988 528-0001

(51) **LOC (10) CL.** ..... **12-08**

(52) **U.S. CL.**  
USPC ..... **D12/91**

(58) **Field of Classification Search**  
USPC ..... D12/86, 88, 90, 91, 92; D21/424, 433,  
D21/434; 296/181.1, 181.5  
See application file for complete search history.

(56) **References Cited**

**U.S. PATENT DOCUMENTS**

D520,910 S *	5/2006	Nordmann	.....	D12/91
D553,050 S *	10/2007	Barrington et al.	.....	D12/91
D558,094 S *	12/2007	Pfeiffer	.....	D12/91
D584,658 S *	1/2009	Minami	.....	D12/91
D592,550 S *	5/2009	Lawlis	.....	D12/91
D592,552 S *	5/2009	Wang et al.	.....	D12/91
D599,704 S *	9/2009	Frenzel et al.	.....	D12/91
D601,924 S *	10/2009	Bauer et al.	.....	D12/91

D609,135 S *	2/2010	Kim	.....	D12/91
D617,682 S *	6/2010	Frei et al.	.....	D12/91
D619,500 S *	7/2010	Hsu et al.	.....	D12/91
D621,747 S *	8/2010	Huet	.....	D12/91
D634,243 S *	3/2011	Frei et al.	.....	D12/91

\* cited by examiner

*Primary Examiner* — Philip S Hyder

*Assistant Examiner* — Darlington Ly

(74) *Attorney, Agent, or Firm* — Lucas & Mercanti, LLP;  
Klaus P. Stoffel

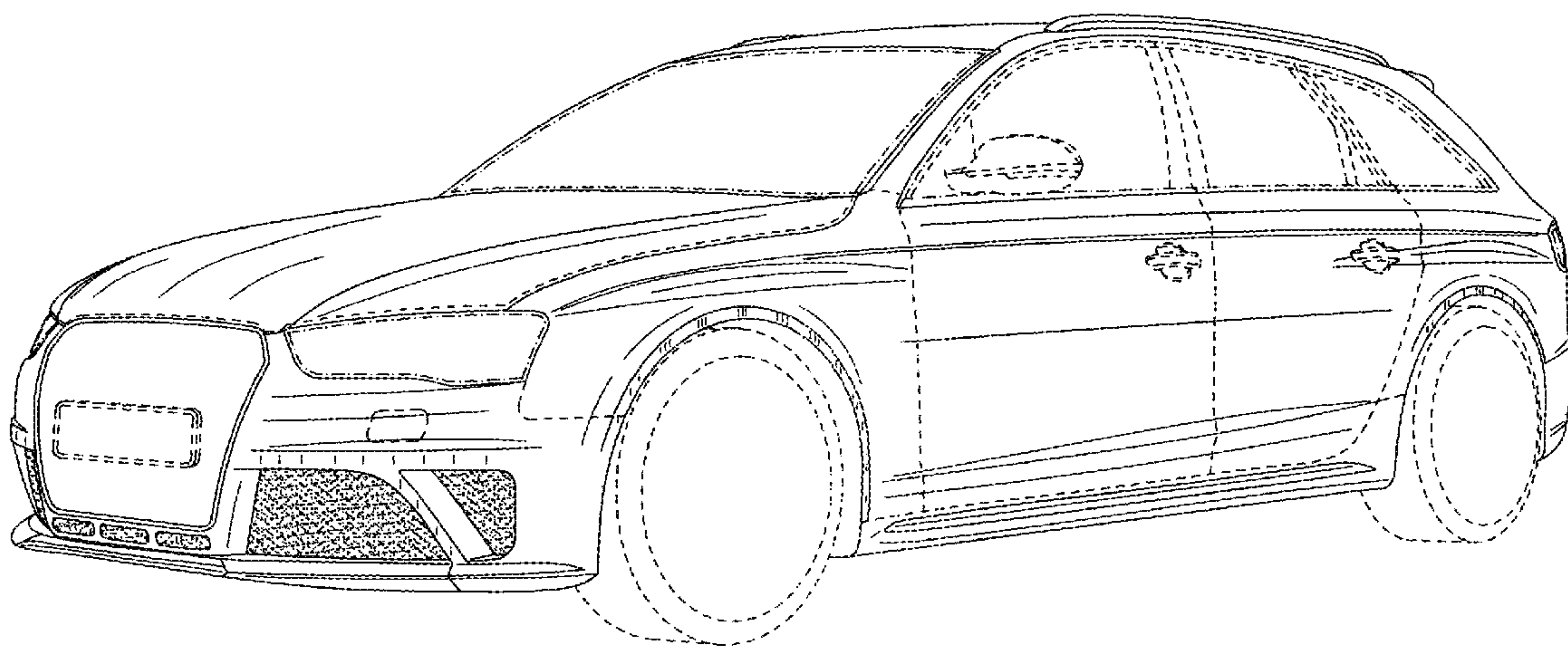
(57) **CLAIM**

The ornamental design for a vehicle, as shown and described.

**DESCRIPTION**

FIG. 1 is a front, left side perspective view of the vehicle of the present invention;  
FIG. 2 is a front elevation view thereof;  
FIG. 3 is a rear elevation view thereof;  
FIG. 4 is a left side elevation view thereof;  
FIG. 5 is a right side elevation view thereof;  
FIG. 6 is a top plan view thereof; and,  
FIG. 7 is a rear, left side perspective view thereof.  
The uniformly even broken lines shown on the drawings illustrate portions of the vehicle that form no part of the claimed design. The dash-dot broken lines represent boundaries of the claimed design and form no part thereof.

**1 Claim, 7 Drawing Sheets**



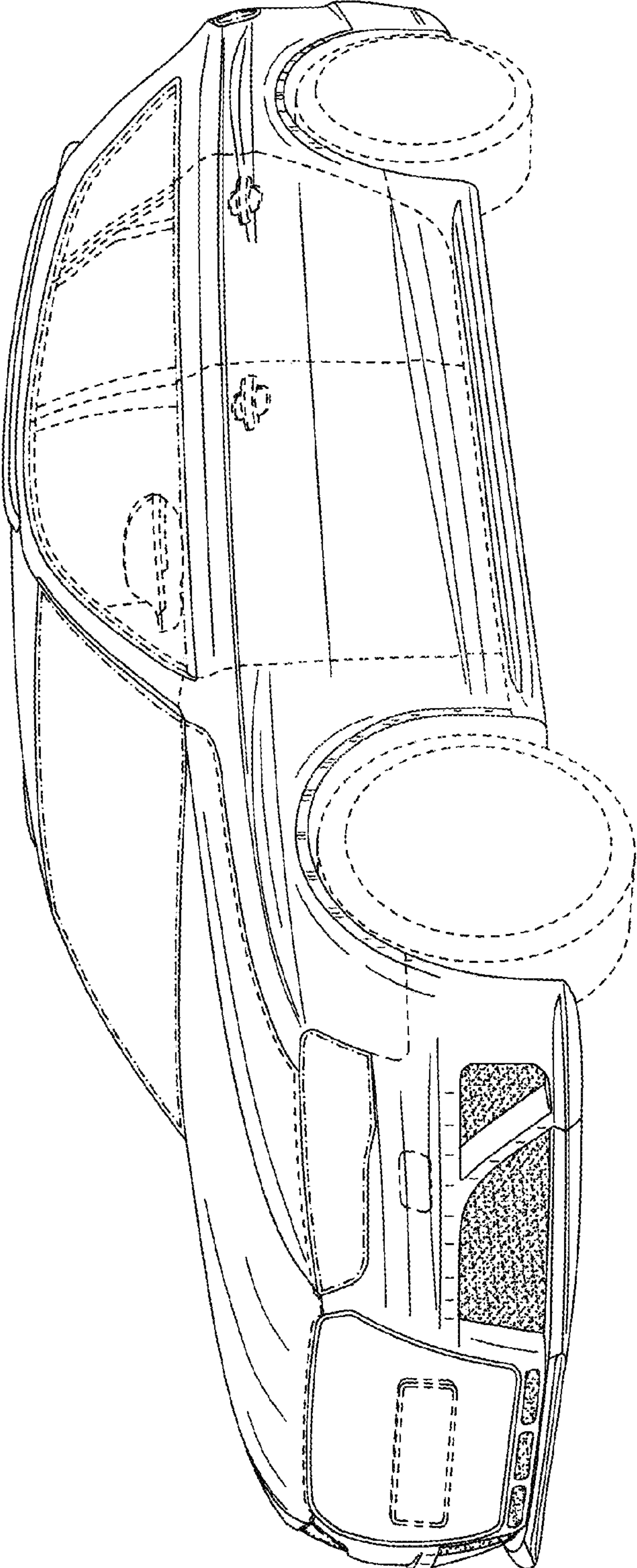


FIG. 1

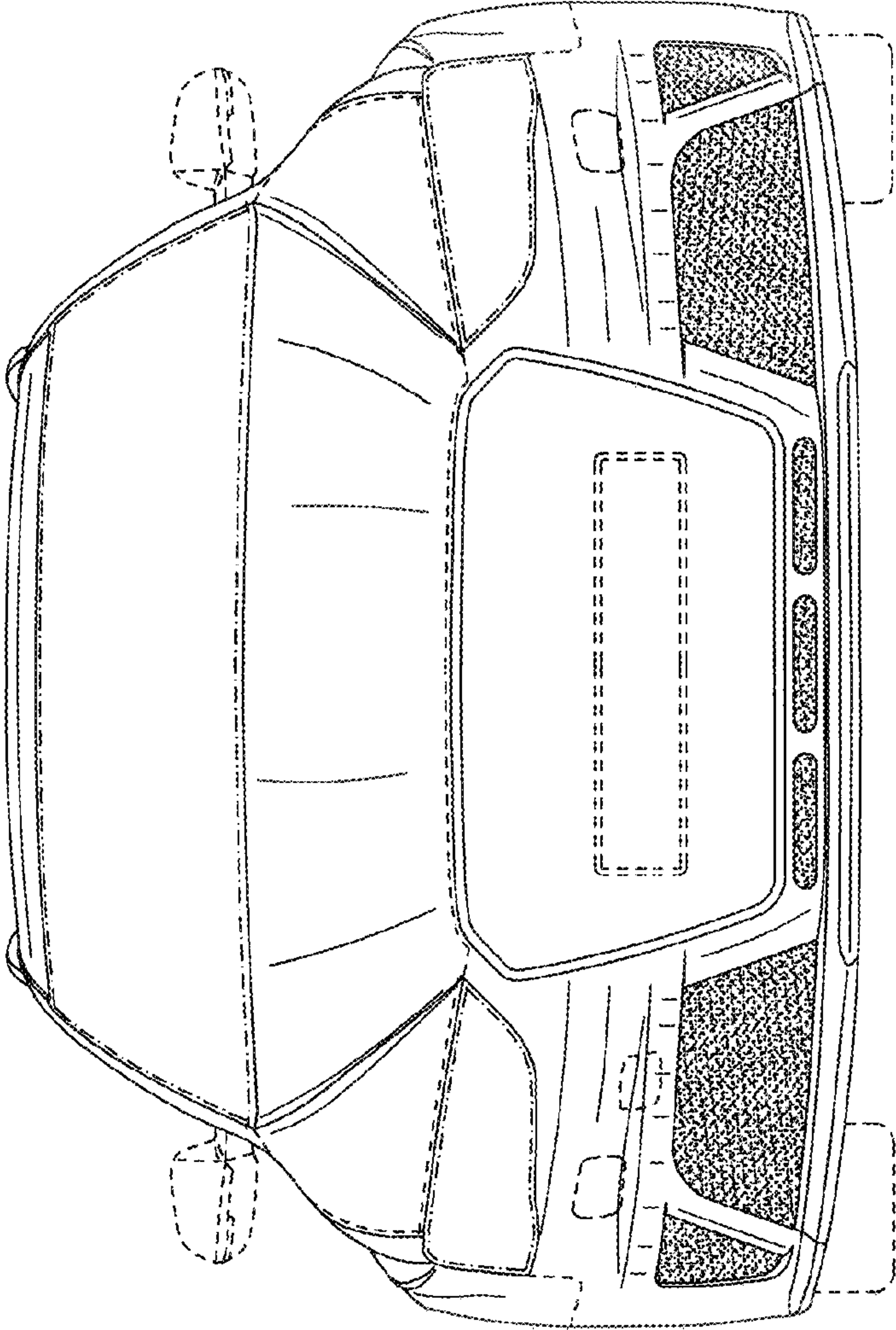


FIG. 2



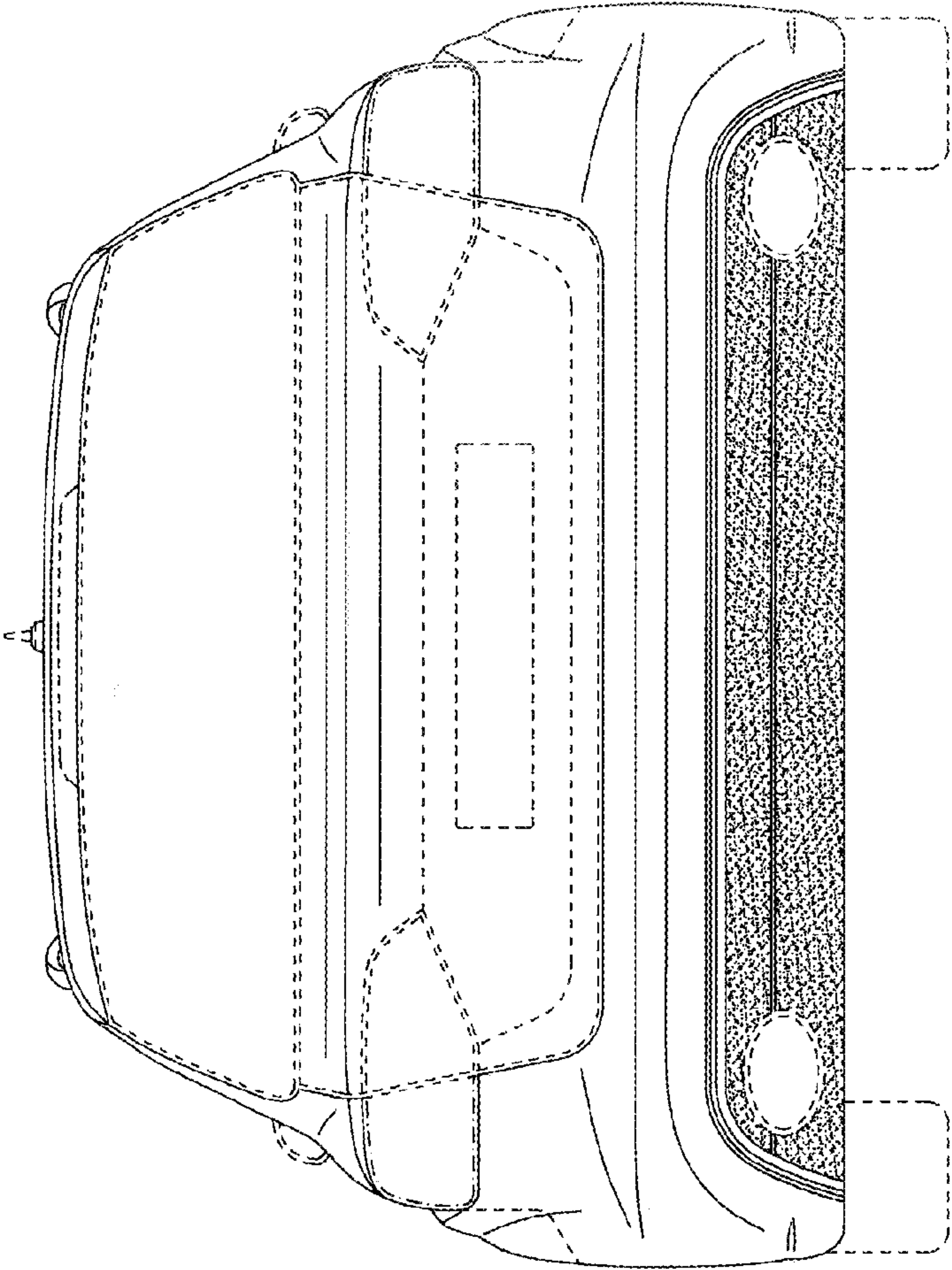


FIG. 3

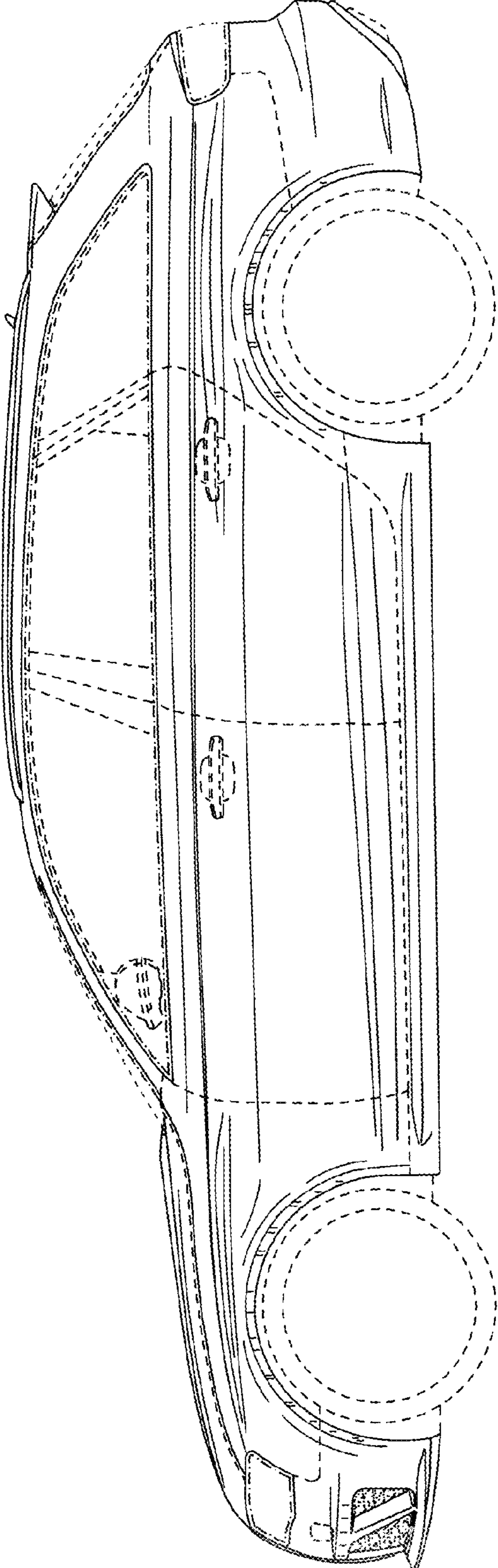


FIG. 4

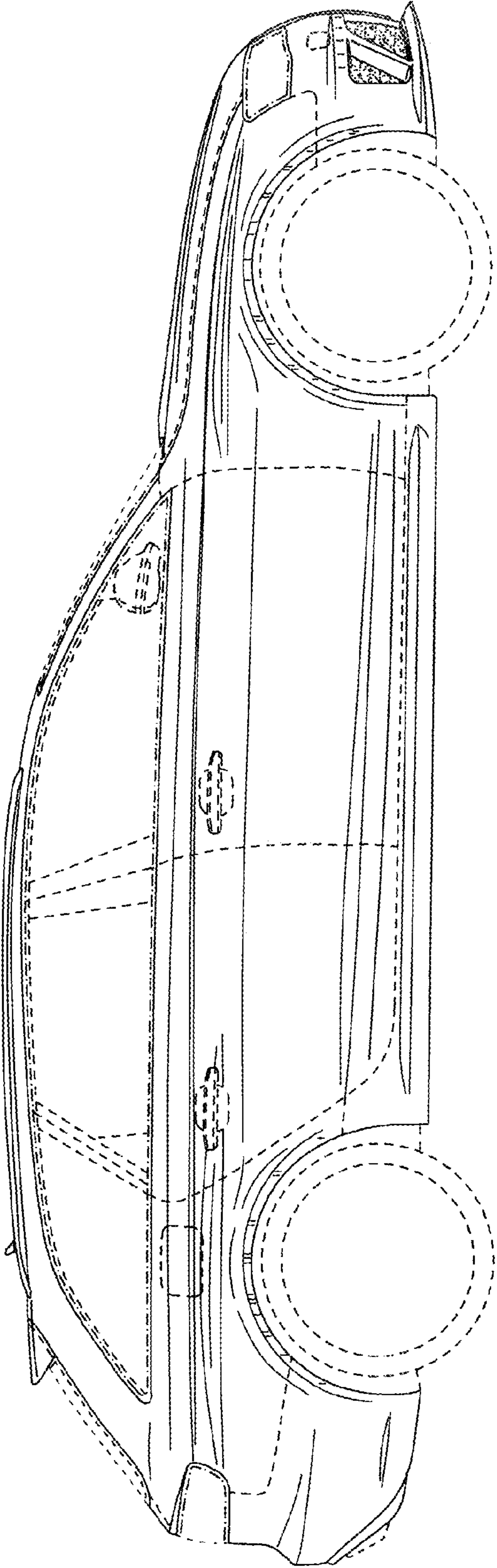


FIG. 5

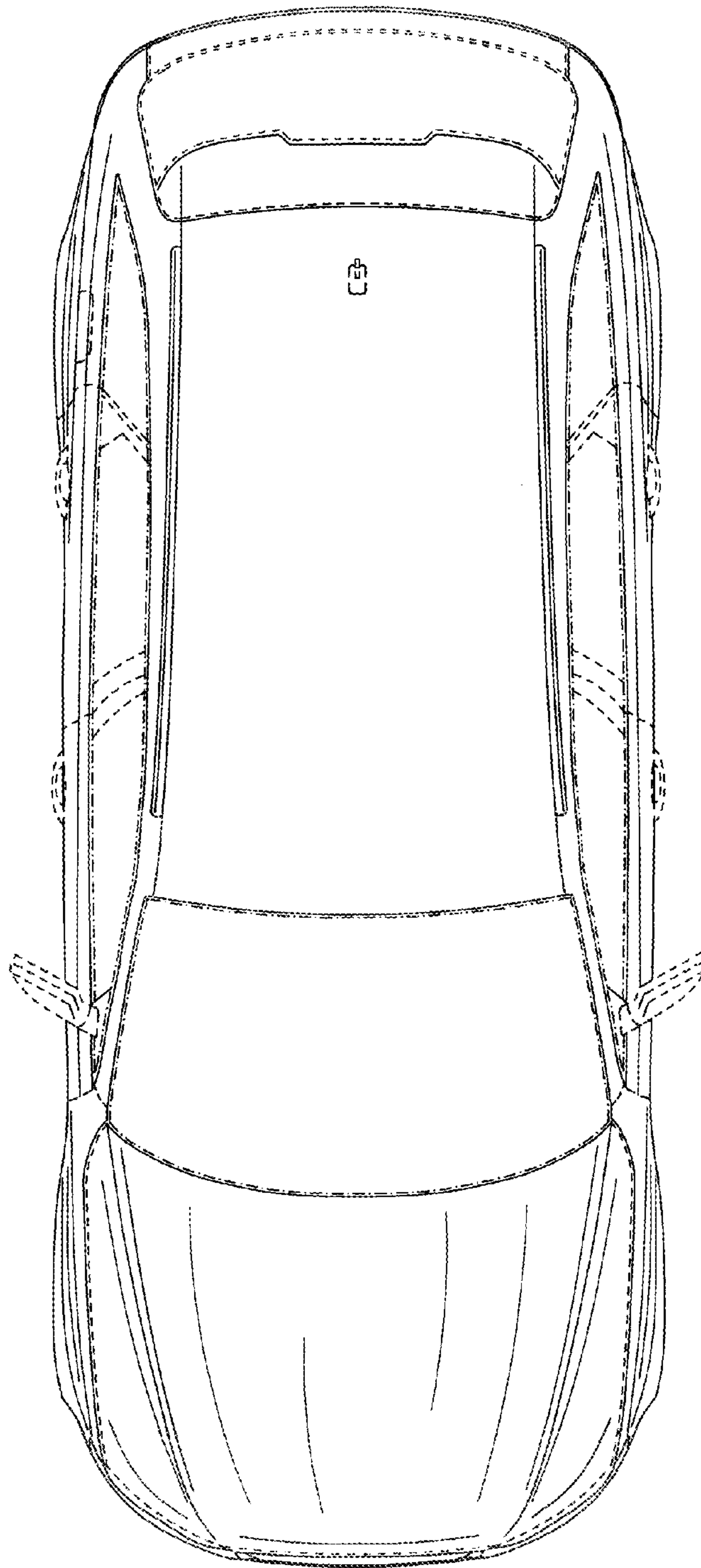


FIG. 6



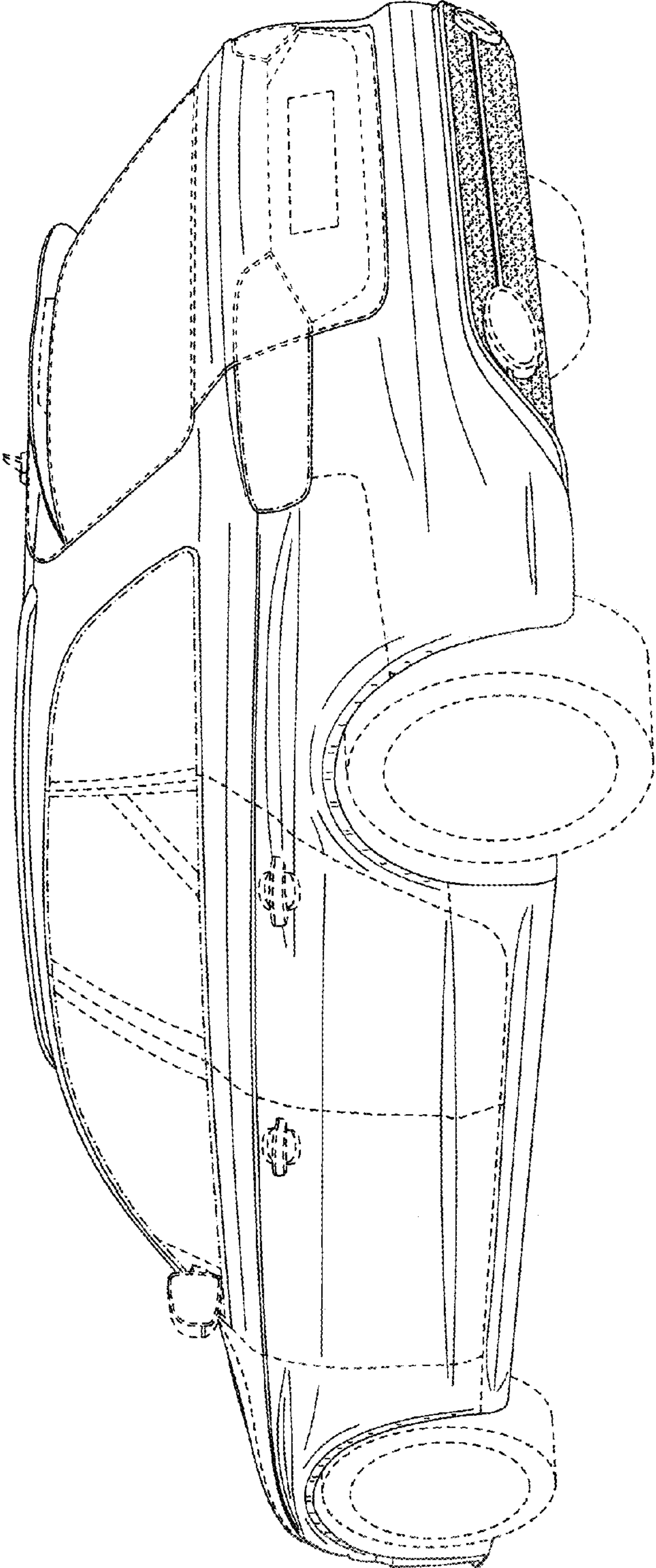


FIG. 7