



US00D711778S

(12) **United States Design Patent**  
**Chun et al.**

(10) **Patent No.:** **US D711,778 S**

(45) **Date of Patent:** **\*\* Aug. 26, 2014**

(54) **SIDE-BY-SIDE ALL TERRAIN VEHICLE**  
(75) Inventors: **Kevin Chun**, Minnetrista, MN (US);  
**Richard E. Eck**, Minneapolis, MN (US)  
(73) Assignee: **Polaris Industries Inc.**, Medina, MN  
(US)  
(\*\*) Term: **14 Years**

D621,423 S \* 8/2010 Nakanishi et al. .... D15/23  
D622,631 S \* 8/2010 Lai et al. .... D12/87  
D624,848 S \* 10/2010 Shimomura .... D12/14  
D625,662 S \* 10/2010 Li .... D12/87  
D631,395 S \* 1/2011 Tandrup et al. .... D12/14  
D633,006 S \* 2/2011 Sanschagrin et al. .... D12/1  
D636,704 S \* 4/2011 Yoo et al. .... D12/1  
D640,598 S \* 6/2011 Zhang .... D12/16  
D641,288 S \* 7/2011 Sun .... D12/87  
D642,493 S \* 8/2011 Goebert et al. .... D12/87  
2005/0173177 A1 8/2005 Smith et al.

(21) Appl. No.: **29/385,355**  
(22) Filed: **Feb. 11, 2011**  
(51) **LOC (10) Cl.** ..... **12-13**  
(52) **U.S. Cl.**  
USPC ..... **D12/14**  
(58) **Field of Classification Search**  
USPC ..... D12/87, 86, 1, 433, 15, 16, 107, 82, 88,  
D12/89, 90, 91, 92, 93; D15/30; D21/803;  
180/233, 908; 280/DIG. 5, 183, 184,  
280/185, 186, 28, 37.7  
See application file for complete search history.

**OTHER PUBLICATIONS**

Kawasaki Mule Utility Vehicle Brochure 2009, © 2008, 10 pages.  
Kawasaki Mule The Off-Road Capable 610 4 × 4 XC Brochure 2011,  
© 2010, 6 pages.  
Kawasaki Teryx Recreation Utility Vehicle Brochure 2009, © 2008,  
8 pages.

(Continued)

*Primary Examiner* — T. Chase Nelson  
*Assistant Examiner* — Ania Aman  
(74) *Attorney, Agent, or Firm* — Faegre Baker Daniels LLP

(56) **References Cited**  
**U.S. PATENT DOCUMENTS**

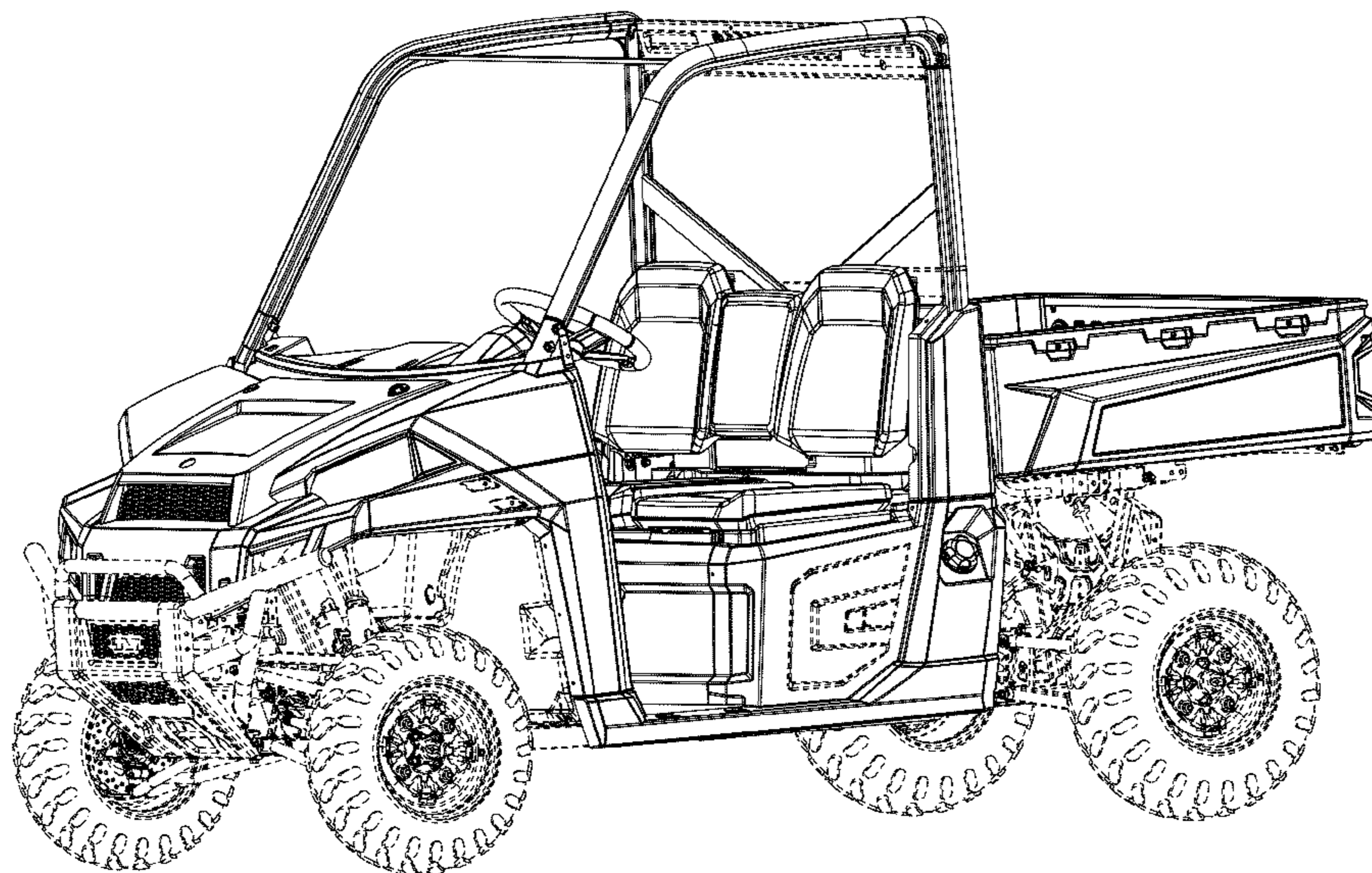
D467,200 S 12/2002 Luo et al.  
D497,324 S 10/2004 Chestnut et al.  
D503,657 S \* 4/2005 Katoh ..... D12/14  
D504,638 S \* 5/2005 Tanaka et al. .... D12/14  
D511,317 S \* 11/2005 Tanaka et al. .... D12/1  
7,281,753 B2 \* 10/2007 Curtis et al. .... 296/146.1  
D555,036 S 11/2007 Eck et al.  
D578,433 S \* 10/2008 Kawaguchi et al. .... D12/14  
D578,934 S \* 10/2008 Tanaka et al. .... D12/14  
D592,998 S \* 5/2009 Woodard et al. .... D12/14  
D595,613 S \* 7/2009 Lai et al. .... D12/14  
D604,201 S \* 11/2009 Kawaguchi et al. .... D12/14  
D605,555 S \* 12/2009 Tanaka et al. .... D12/14  
D606,900 S \* 12/2009 Flores ..... D12/87  
D607,377 S \* 1/2010 Shimomura et al. .... D12/14

(57) **CLAIM**  
The ornamental design for a side-by-side all terrain vehicle,  
as shown and described.

**DESCRIPTION**

FIG. 1 is a left front perspective view of the vehicle;  
FIG. 2 is a right rear perspective view of the vehicle;  
FIG. 3 is a front view of the vehicle;  
FIG. 4 is a rear view of the vehicle;  
FIG. 5 is a right side view of the vehicle; and  
FIG. 6 is a left side view of the vehicle.  
The portions of the side-by-side all-terrain vehicle shown in  
broken lines form no part of the claimed design.

**1 Claim, 6 Drawing Sheets**



(56)

**References Cited**

OTHER PUBLICATIONS

Kawasaki Teryx 750 FI 4 × 4 Sport Brochure 2011, © 2010, 6 pages.  
Polaris Ranger Off-Road Utility Vehicles Brochure 2004, © 2003, 20 pages.  
Polaris Ranger Work/Play Only Brochure 2008, © 2007, 28 pages.  
Polaris Ranger Brochure 2009, © 2008, 32 pages.  
Ray Sedorchuk, New for 2004, Yamaha Rhino 660 4 × 4, ATV Connection Magazine, © 2006, 3 pages.  
Yamaha, Company Website, 2006 Rhino 450 Auto 4 × 4, © 2005, 3 pages.  
Yamaha, Company Website, 2006 Rhino 660 Auto 4 × 4 Special Edition, © 2006, 4 pages.  
Yamaha, Company Website, 2006 Rhino 660 Auto 4 × 4, © 2006, 4 pages.

Yamaha, Company Website, Rhino 660 Auto 4 × 4 Exploring Edition Specifications, © 2006, 3 pages.  
Artic Cat, Company Website, Prowler XT650 H1, undated, 9 pages.  
Club Car, Company Website, product pages for XRT 1500 SE, undated, 2 pages.  
Honda Hippo 1800 New Competition for Yamaha's Rhino, Dirt Wheels Magazine, Apr. 2006, pp. 91-92.  
BRP Can-Am Commander photo, undated, 1 page.  
Polaris Ranger Welcome to Ranger Country Brochure 2006, © 2005, 24 pages.  
Polaris Ranger Brochure ATVs and Side × Sides Brochure 2010, © 2009, 26 pages.  
Polaris Ranger RZR Brochure 2011, © 2010, 16 pages.  
Polaris Ranger Brochure 2011, © 2010, 22 pages.

\* cited by examiner

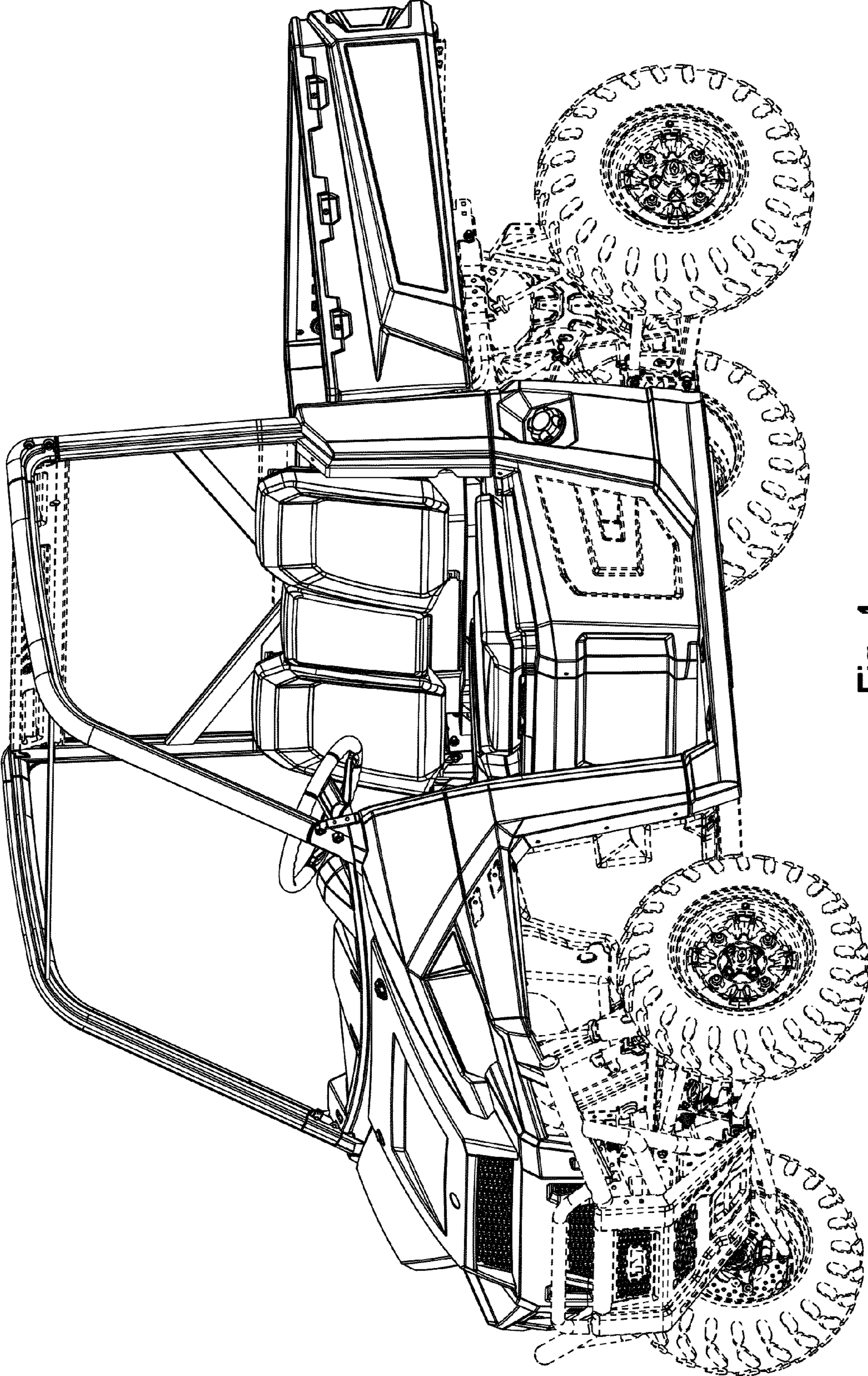


Fig. 1

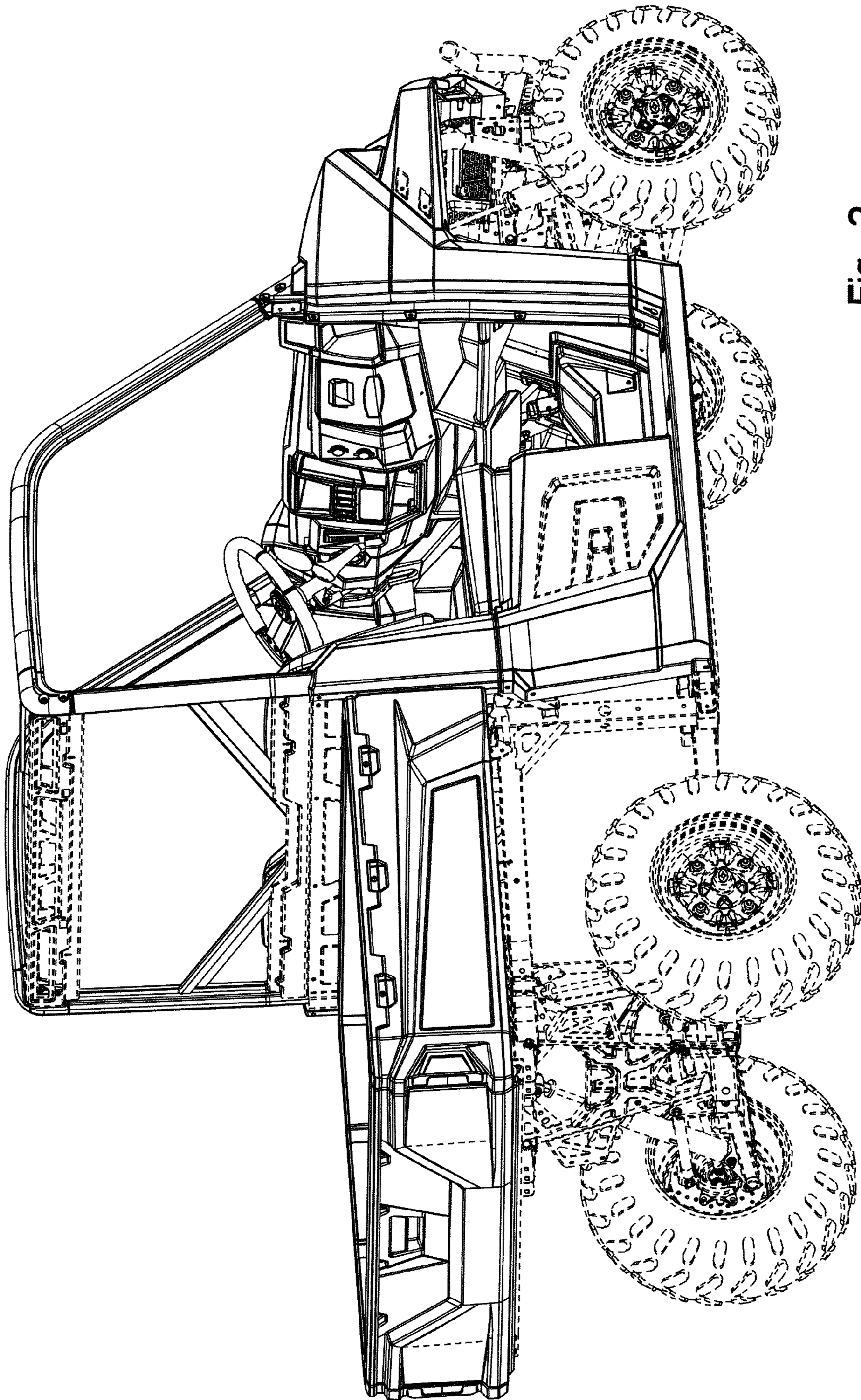


Fig. 2

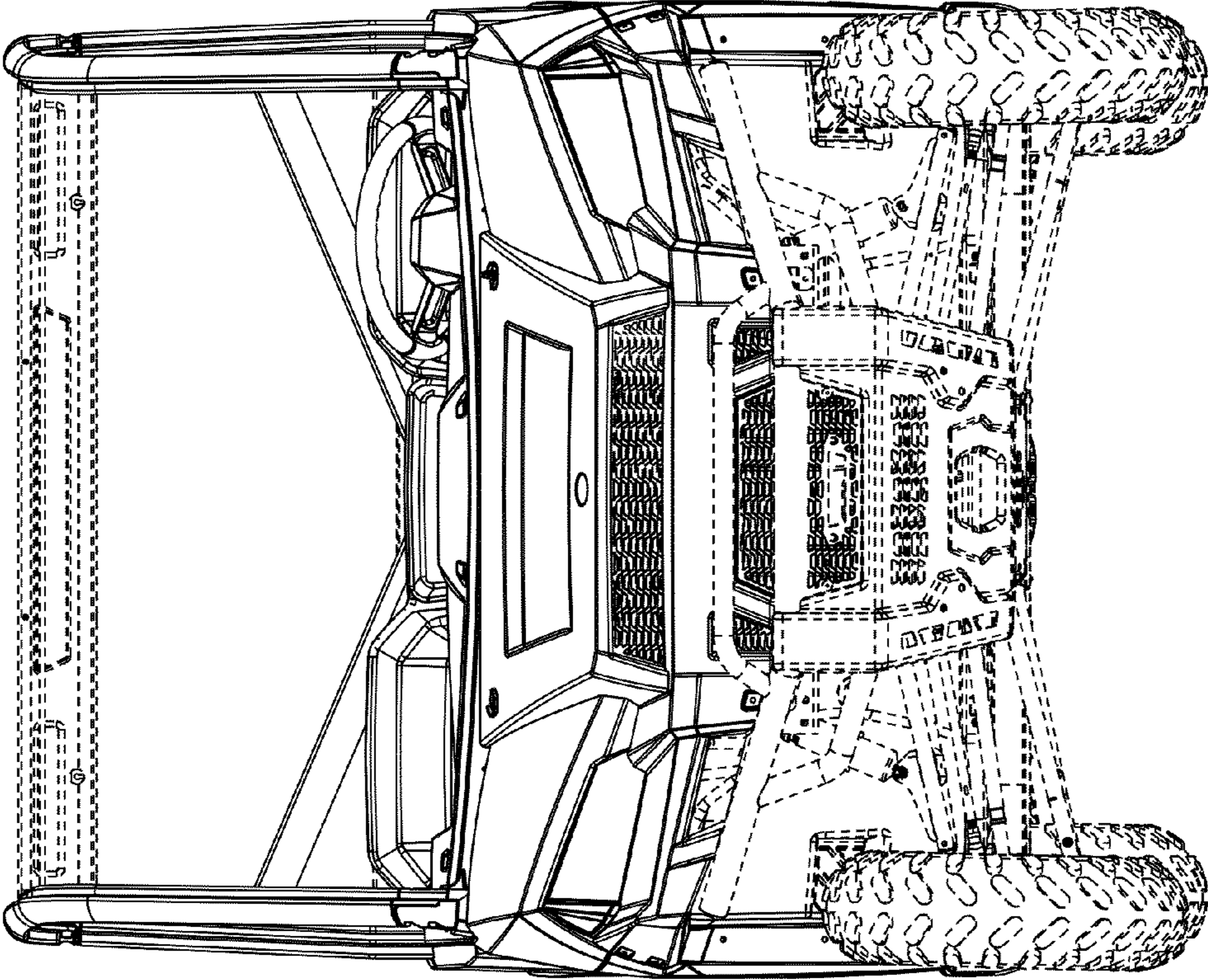


Fig. 3

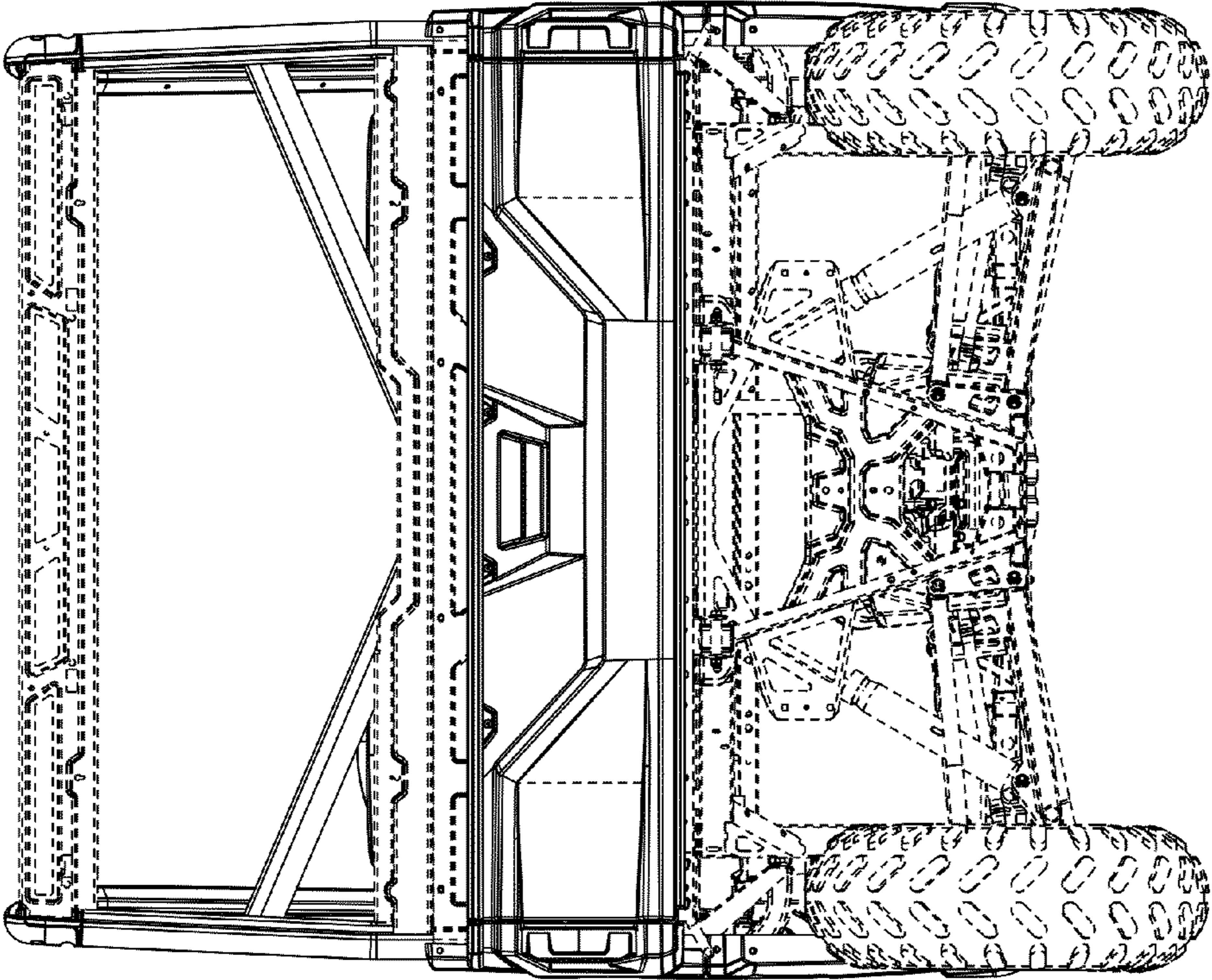


Fig. 4

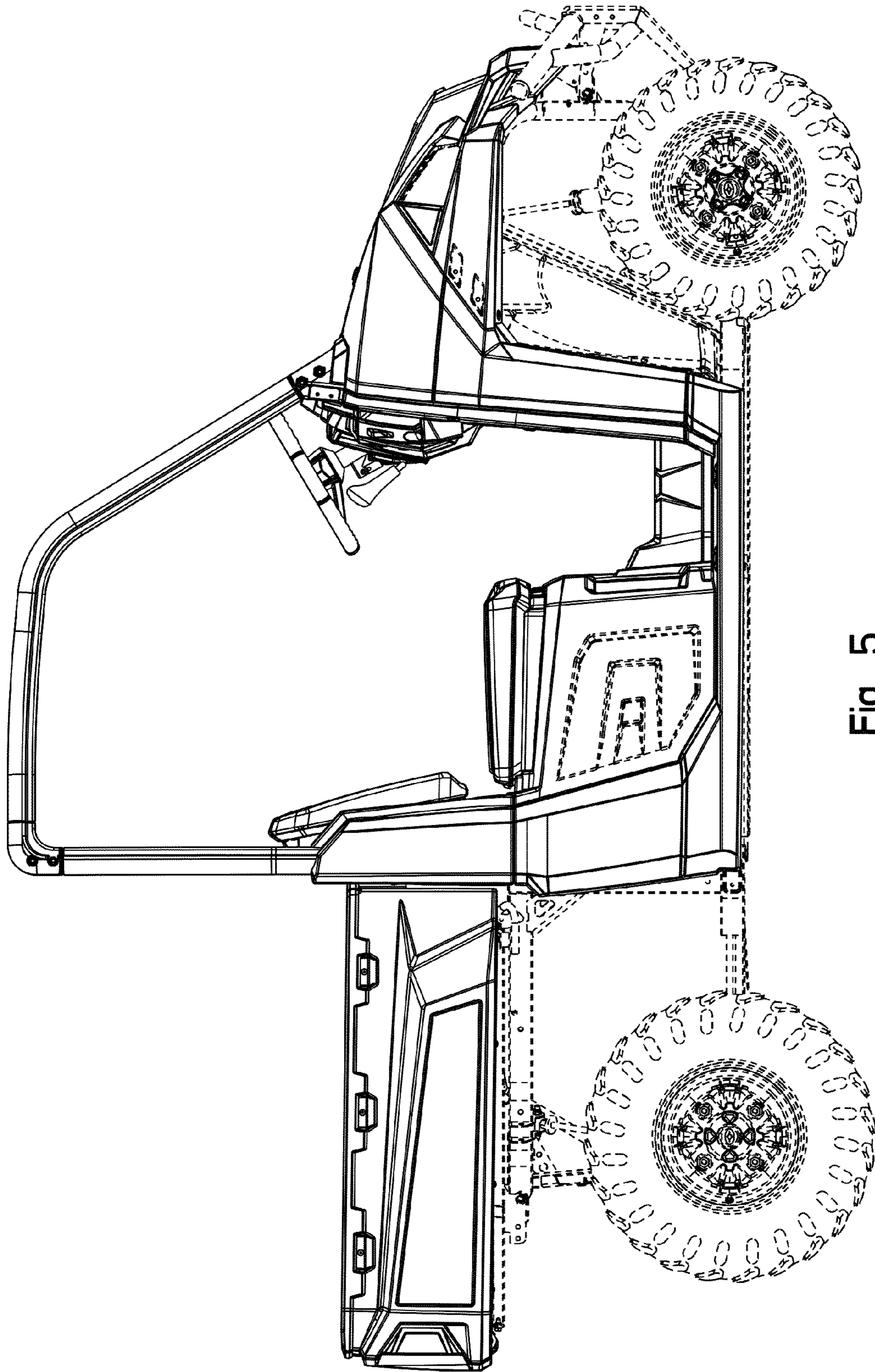


Fig. 5

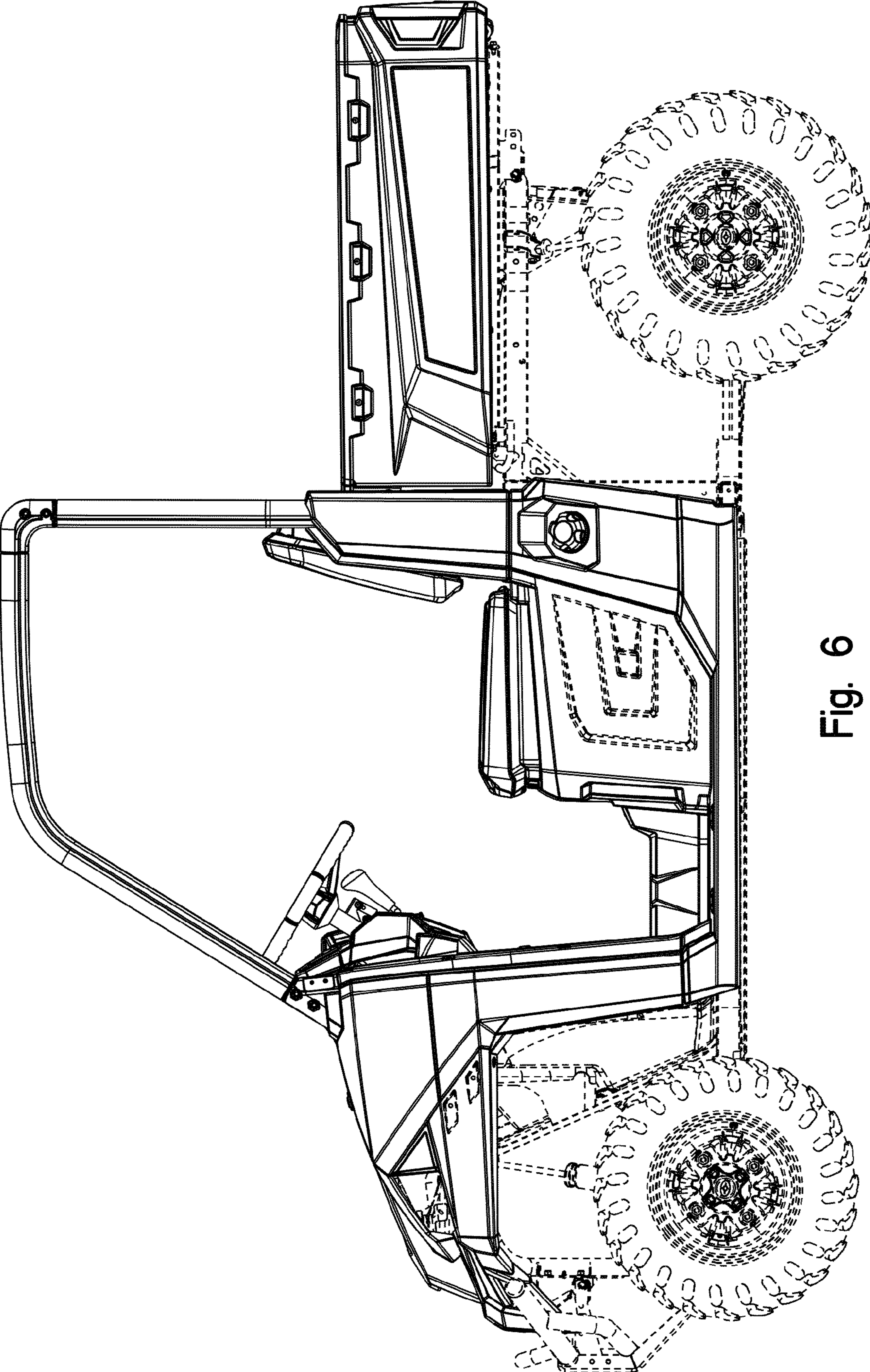


Fig. 6