



US00D711777S

(12) **United States Design Patent**
Monachon

(10) **Patent No.:** **US D711,777 S**

(45) **Date of Patent:** **** Aug. 26, 2014**

(54) **BUCKLE**

(71) Applicant: **Omega Ltd.**, Biel/Bienne (CH)

(72) Inventor: **Jean-Claude Monachon**, Bevaix (CH)

(73) Assignee: **Omega Ltd.**, Biel/Bienne (CH)

(**) Term: **14 Years**

(21) Appl. No.: **29/477,326**

(22) Filed: **Dec. 20, 2013**

(30) **Foreign Application Priority Data**

Jun. 21, 2013 (WO) DM/081178

(51) **LOC (10) Cl.** **02-07**

(52) **U.S. Cl.**
USPC **D11/234**

(58) **Field of Classification Search**
USPC D11/200–237; D2/625–629, 976;
24/614, 186, 188, 191, 199–200, 170,
24/30.5 R; 224/163; 119/863; D30/152
See application file for complete search history.

(56) **References Cited**

U.S. PATENT DOCUMENTS

3,204,314 A * 9/1965 Sokoloff 24/188
D471,328 S * 3/2003 Hanna D30/152

D479,812 S * 9/2003 Calvani D11/234
D523,377 S * 6/2006 Mouquet D11/234
D525,907 S * 8/2006 Mouquet D11/234
7,181,808 B1 * 2/2007 Van Winkle 24/191
D543,488 S * 5/2007 Tobergte D11/234
D571,550 S * 6/2008 Valle D2/976
D579,820 S * 11/2008 Brown D11/231
7,617,801 B2 * 11/2009 Wang 24/186
D637,519 S * 5/2011 Coffman D11/234

* cited by examiner

Primary Examiner — T. Chase Nelson

Assistant Examiner — Mark Cavanna

(74) *Attorney, Agent, or Firm* — Donald J. Ranft; Collen IP

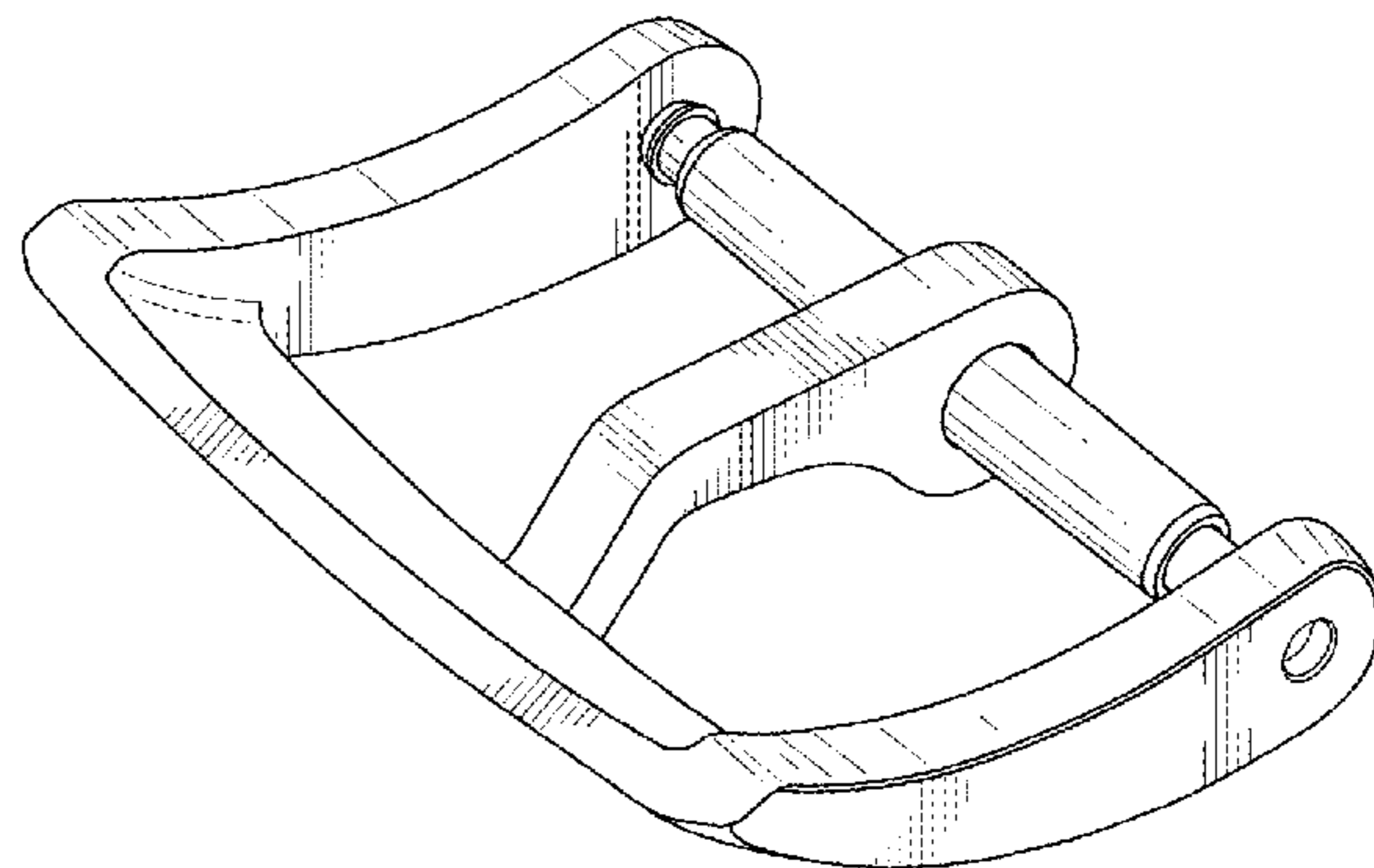
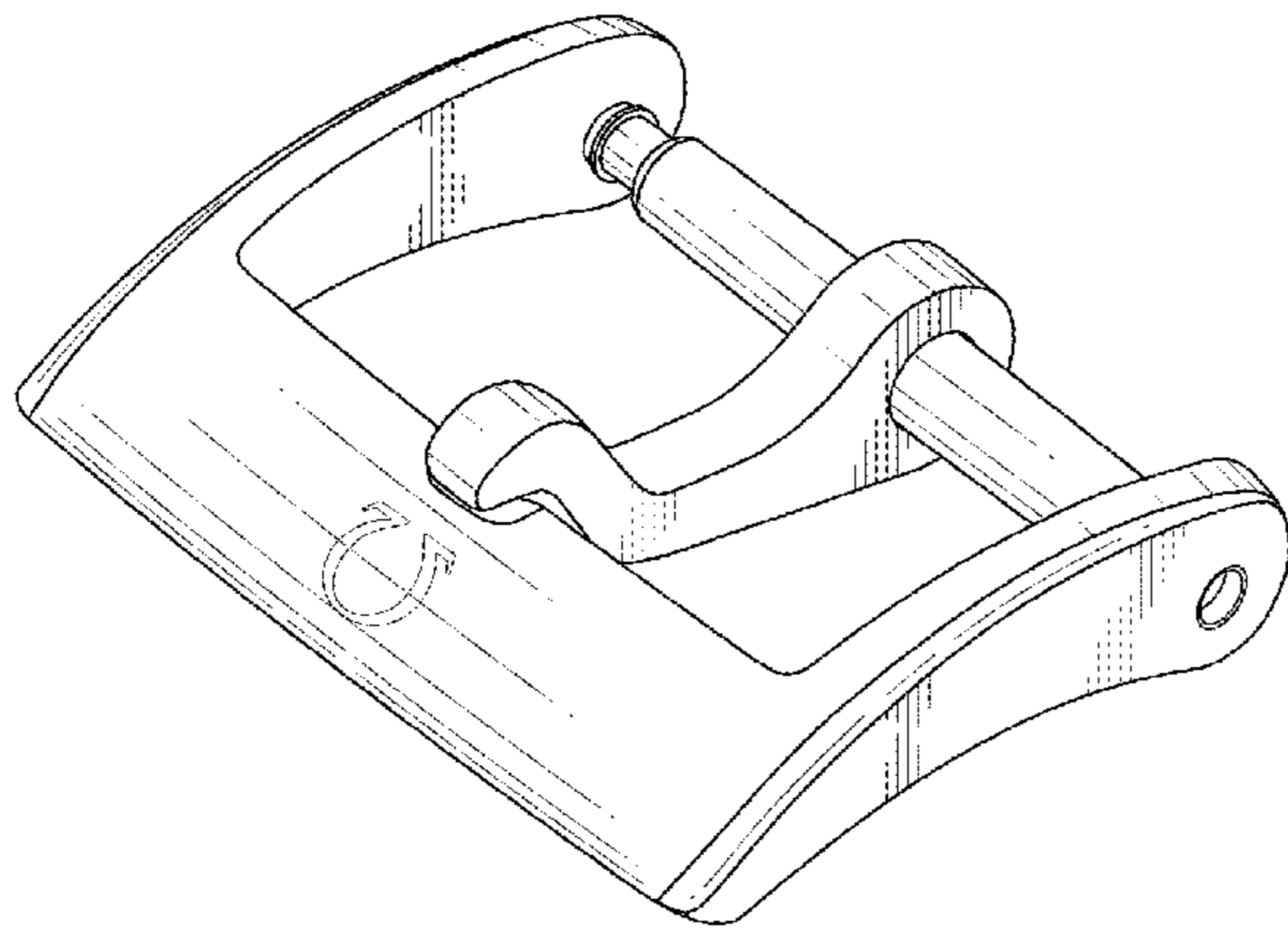
(57) **CLAIM**

The ornamental design for a buckle, as shown.

DESCRIPTION

FIG. 1 is a front right perspective view of a buckle showing my new design;
FIG. 2 is a rear right perspective view thereof;
FIG. 3 is a bottom view thereof;
FIG. 4 is a top view thereof;
FIG. 5 is a left side view thereof;
FIG. 6 is a right side view thereof;
FIG. 7 is a front view thereof; and,
FIG. 8 is a rear view thereof.

1 Claim, 6 Drawing Sheets



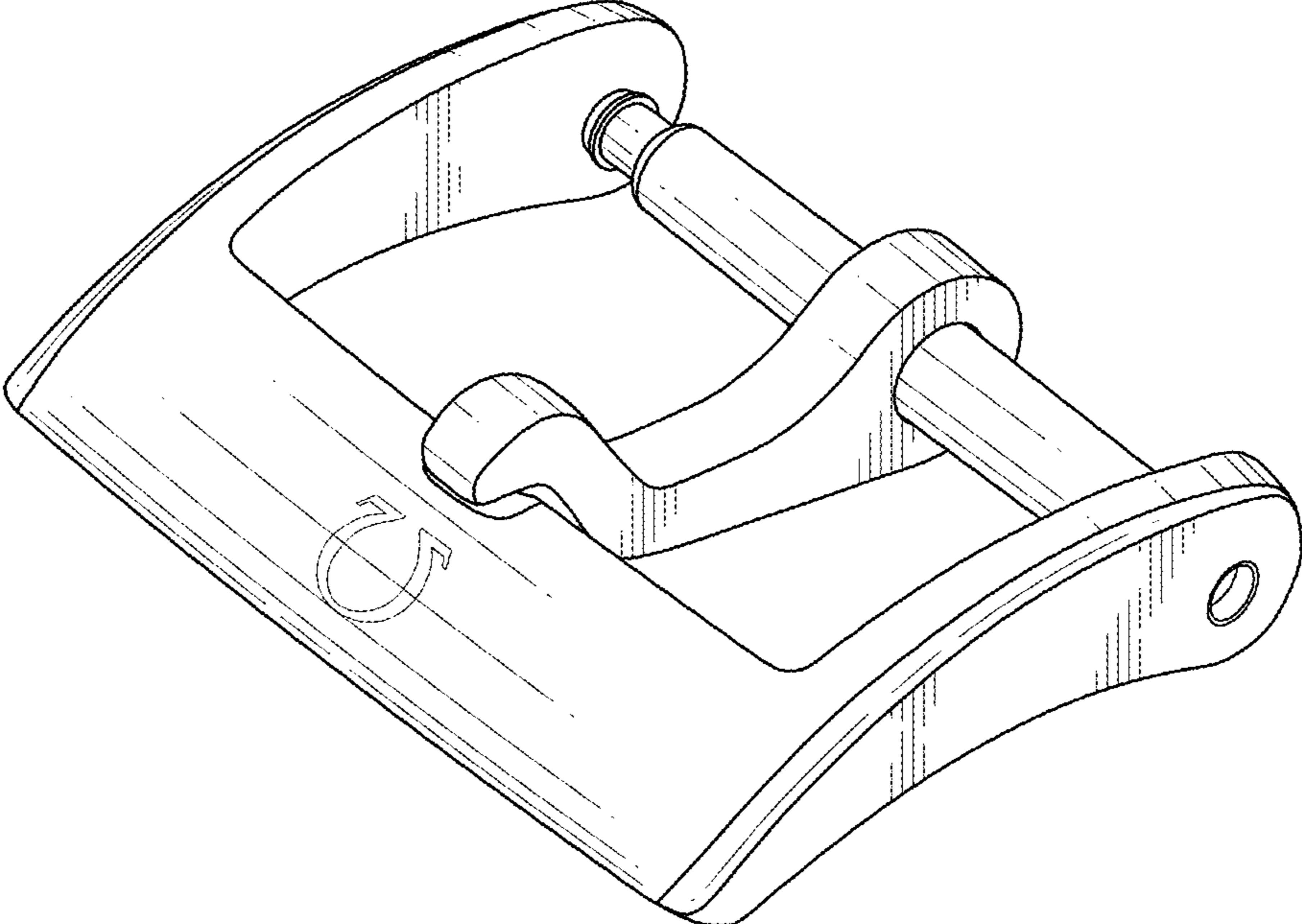


FIG. 1

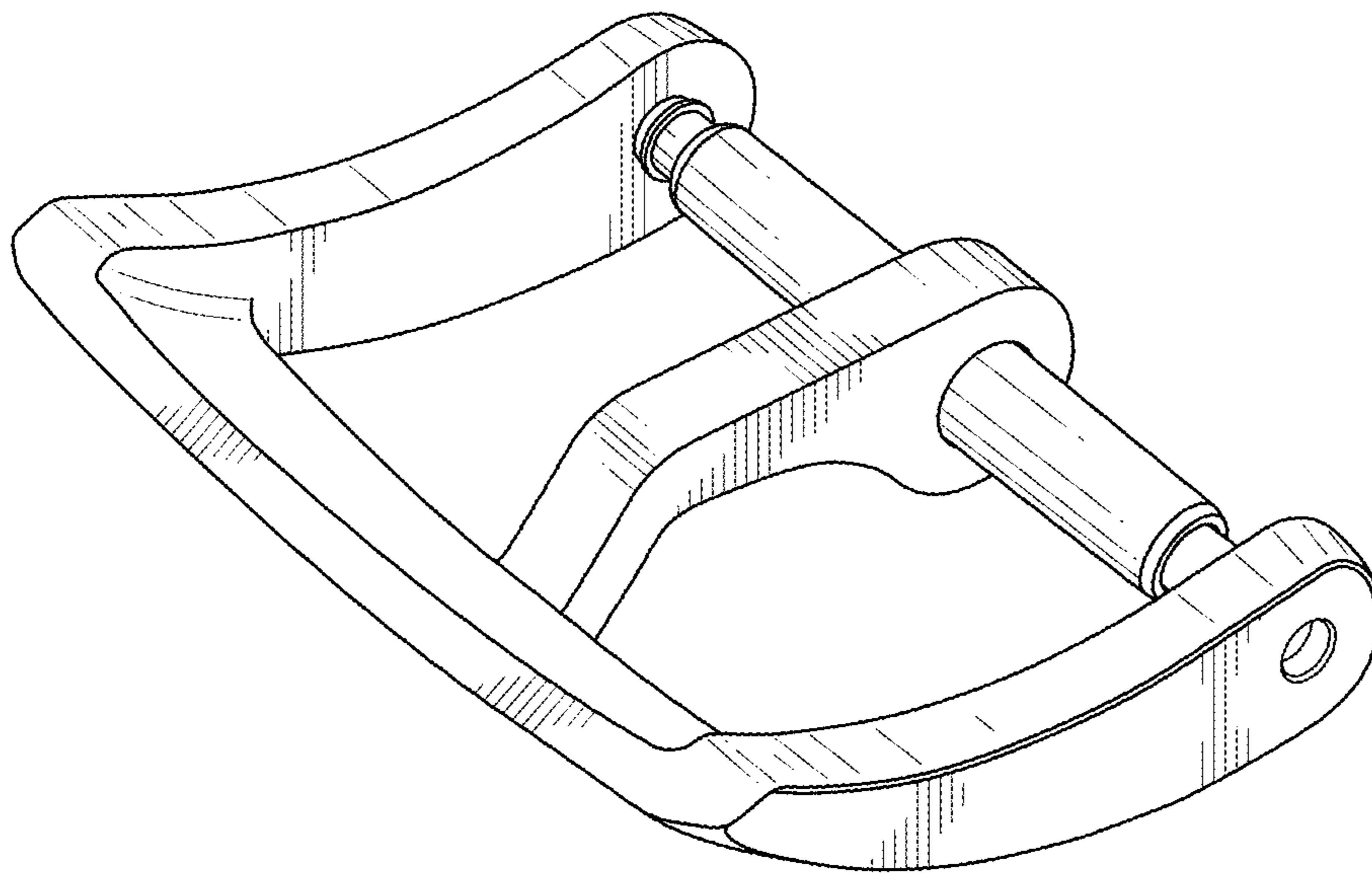


FIG. 2

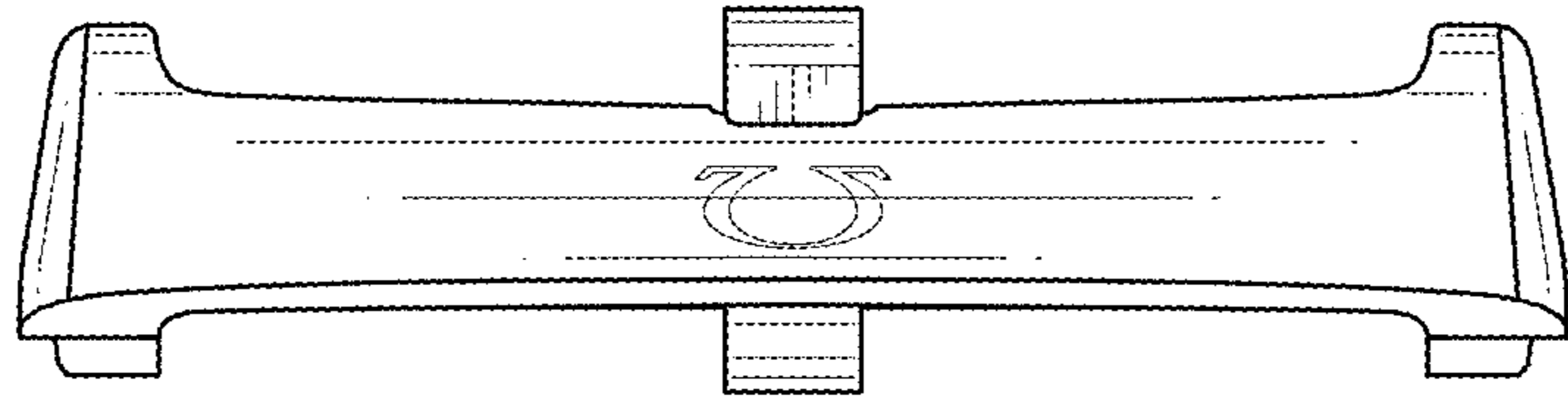


FIG. 3

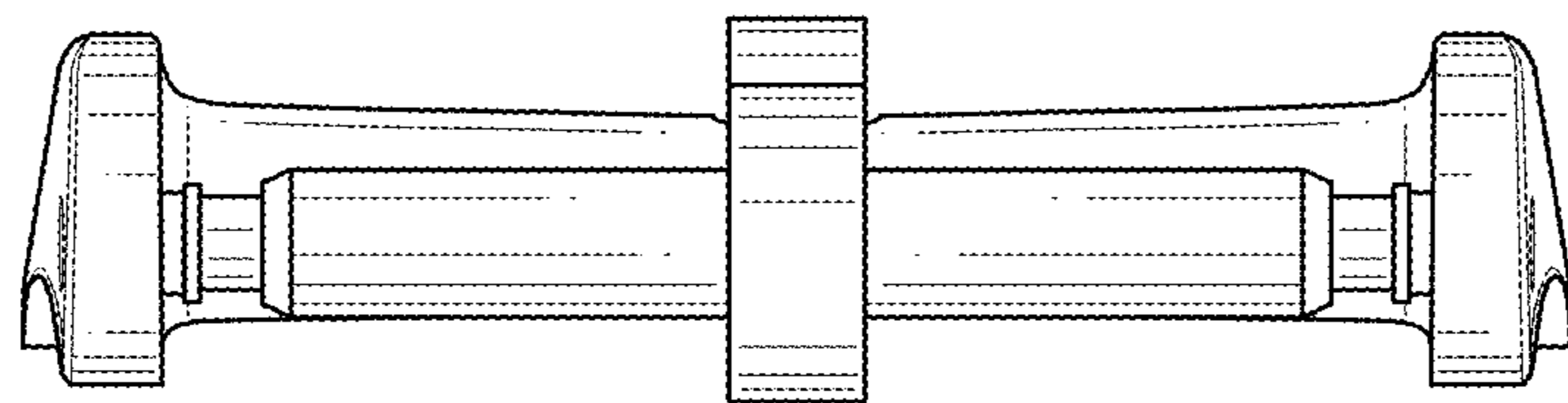


FIG. 4

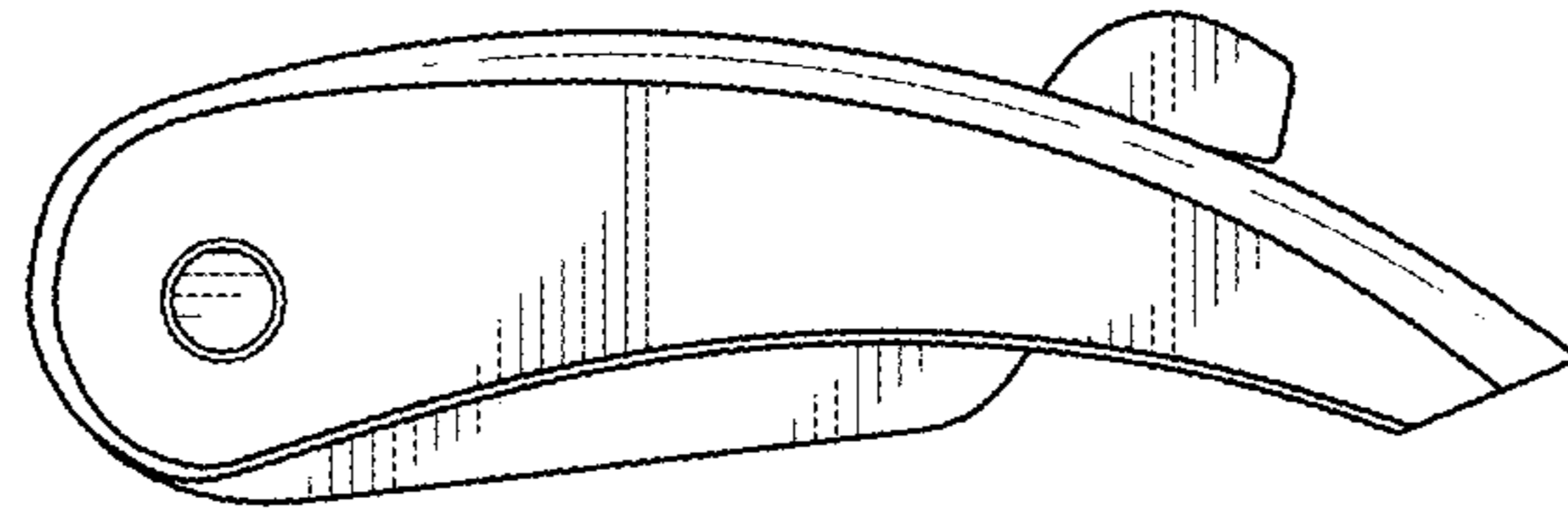


FIG. 5

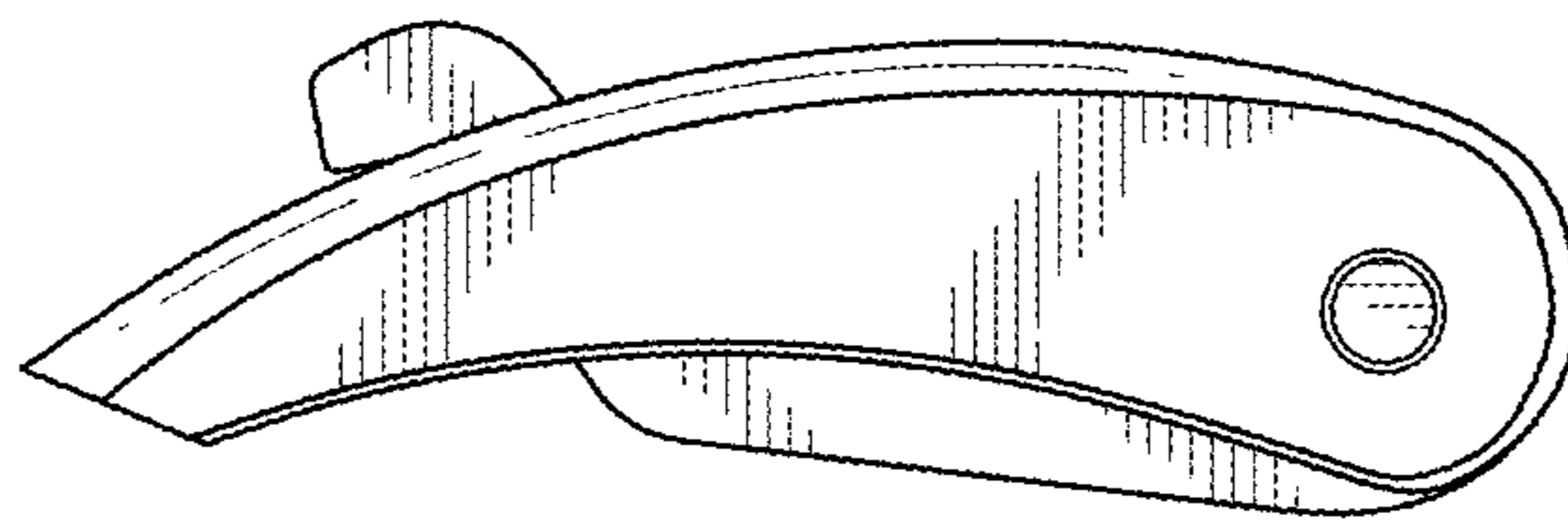


FIG. 6

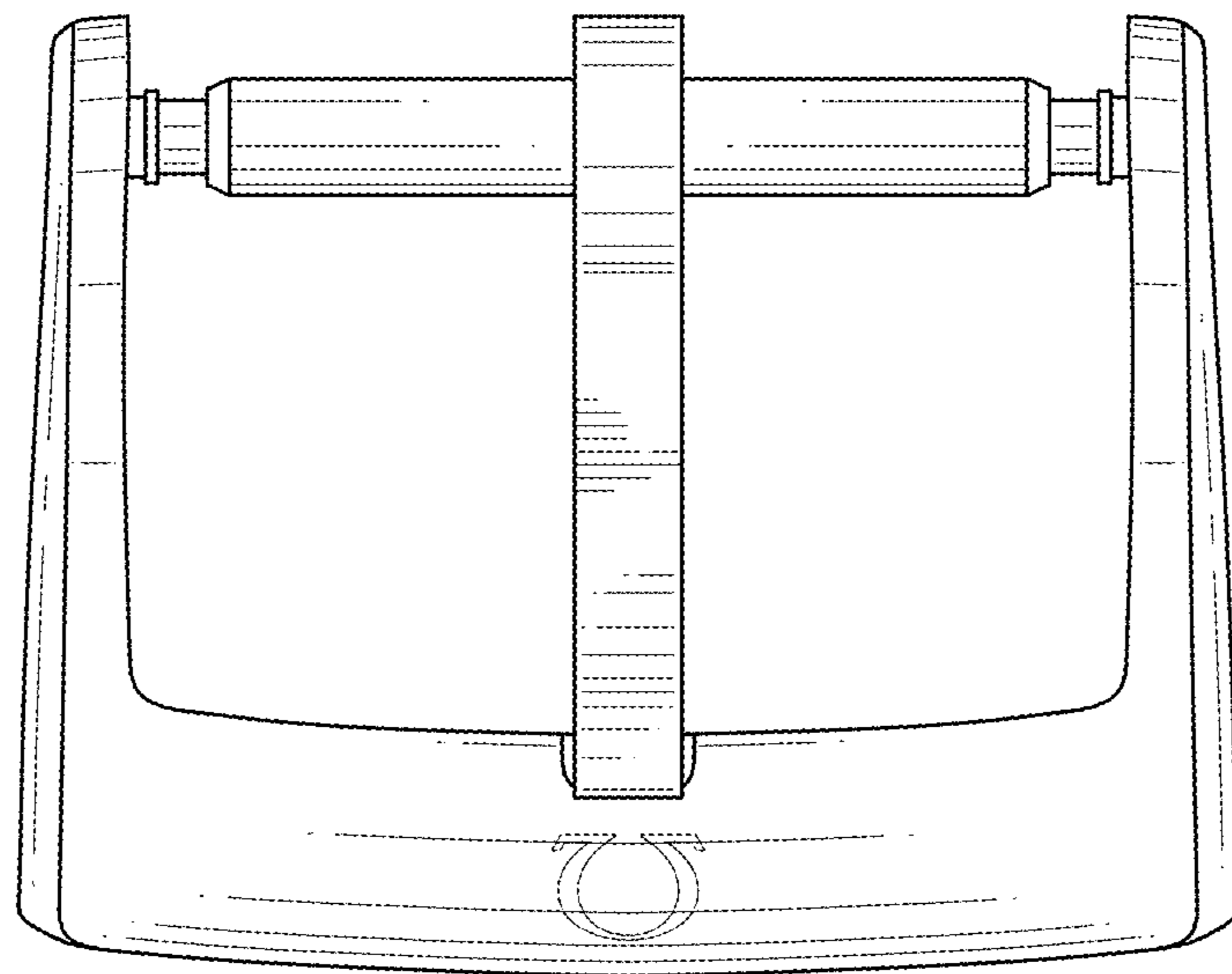


FIG. 7

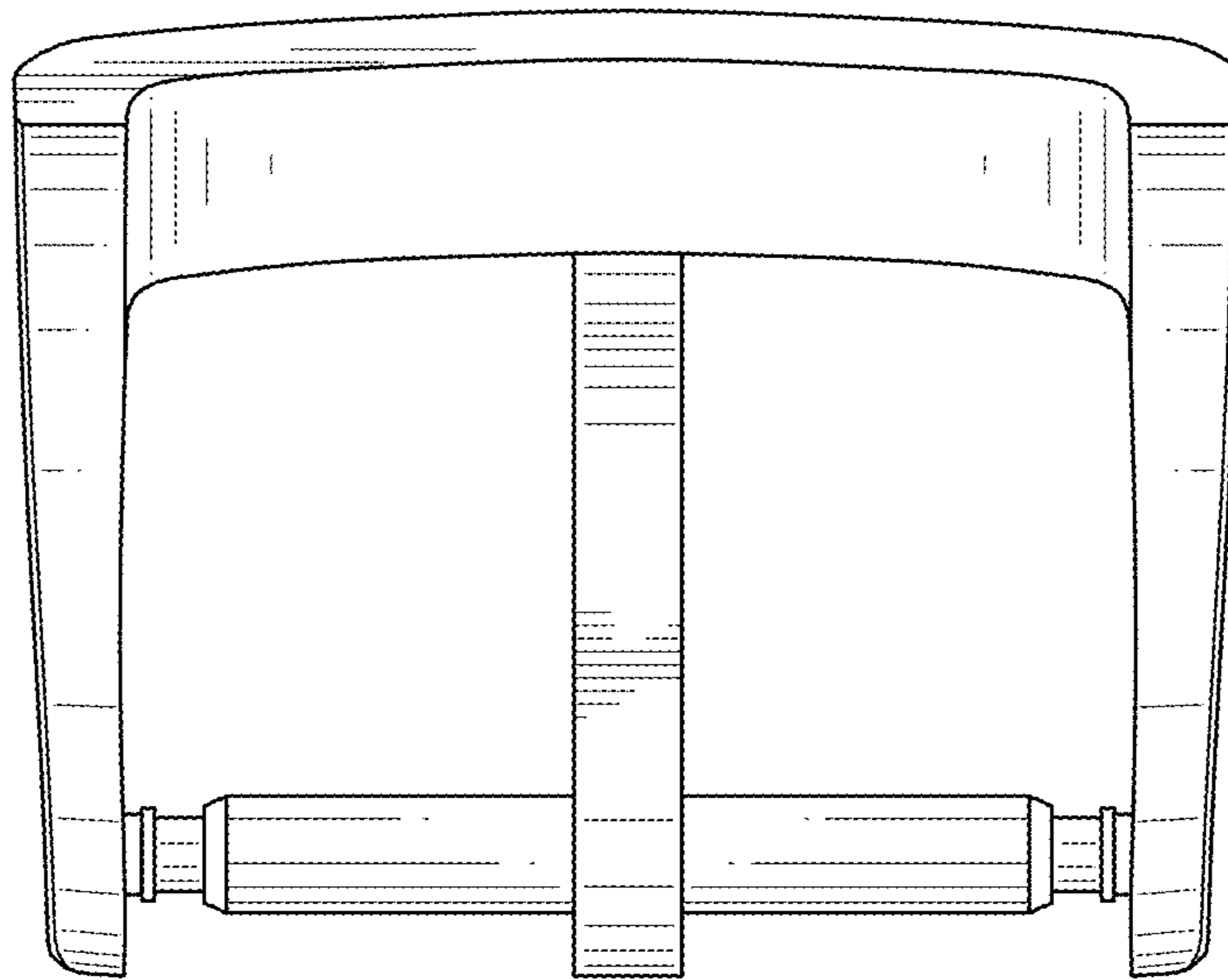


FIG. 8