



US00D711776S

(12) **United States Design Patent**
Iannello et al.

(10) **Patent No.:** **US D711,776 S**

(45) **Date of Patent:** **** Aug. 26, 2014**

(54) **SLIDE BUCKLE BODY**

(71) Applicant: **Illinois Tool Works Inc.**, Glenview, IL (US)

(72) Inventors: **Christopher A. J. Iannello**, Rolling Meadows, IL (US); **Martin J. Nilsen**, Hampshire, IL (US); **Michael B. Grimm**, Evanston, IL (US)

(73) Assignee: **Illinois Tool Works Inc.**, Glenview, IL (US)

(**) Term: **14 Years**

(21) Appl. No.: **29/483,779**

(22) Filed: **Mar. 3, 2014**

(51) **LOC (10) Cl.** **02-07**

(52) **U.S. Cl.**
USPC **D11/218**

(58) **Field of Classification Search**
USPC D11/1-2, 200-201, 206-210, 214-218;
24/163 R, 169-171, 173, 177-179, 191,
24/194-195, 197, 200, 614-616, 625, 198,
24/578.11, 578.1, 163 K, 114; D8/394
See application file for complete search history.

(56) **References Cited**

U.S. PATENT DOCUMENTS

D309,280 S * 7/1990 Balfanz-Lee D11/215
D331,462 S * 12/1992 Kraus et al. D24/143

D589,338 S * 3/2009 Baum D8/395
D603,751 S * 11/2009 Murray et al. D11/200
D621,742 S * 8/2010 Paik D11/200
D633,415 S * 3/2011 Grimm et al. D11/218
D659,527 S * 5/2012 Boucher-Gagne et al. D8/395
D671,443 S * 11/2012 Paik et al. D11/216
D686,528 S * 7/2013 Paik et al. D11/216
D703,099 S * 4/2014 Iannello et al. D11/218

* cited by examiner

Primary Examiner — Ralf Seifert

(74) *Attorney, Agent, or Firm* — Mark W. Croll; Paul F. Donovan

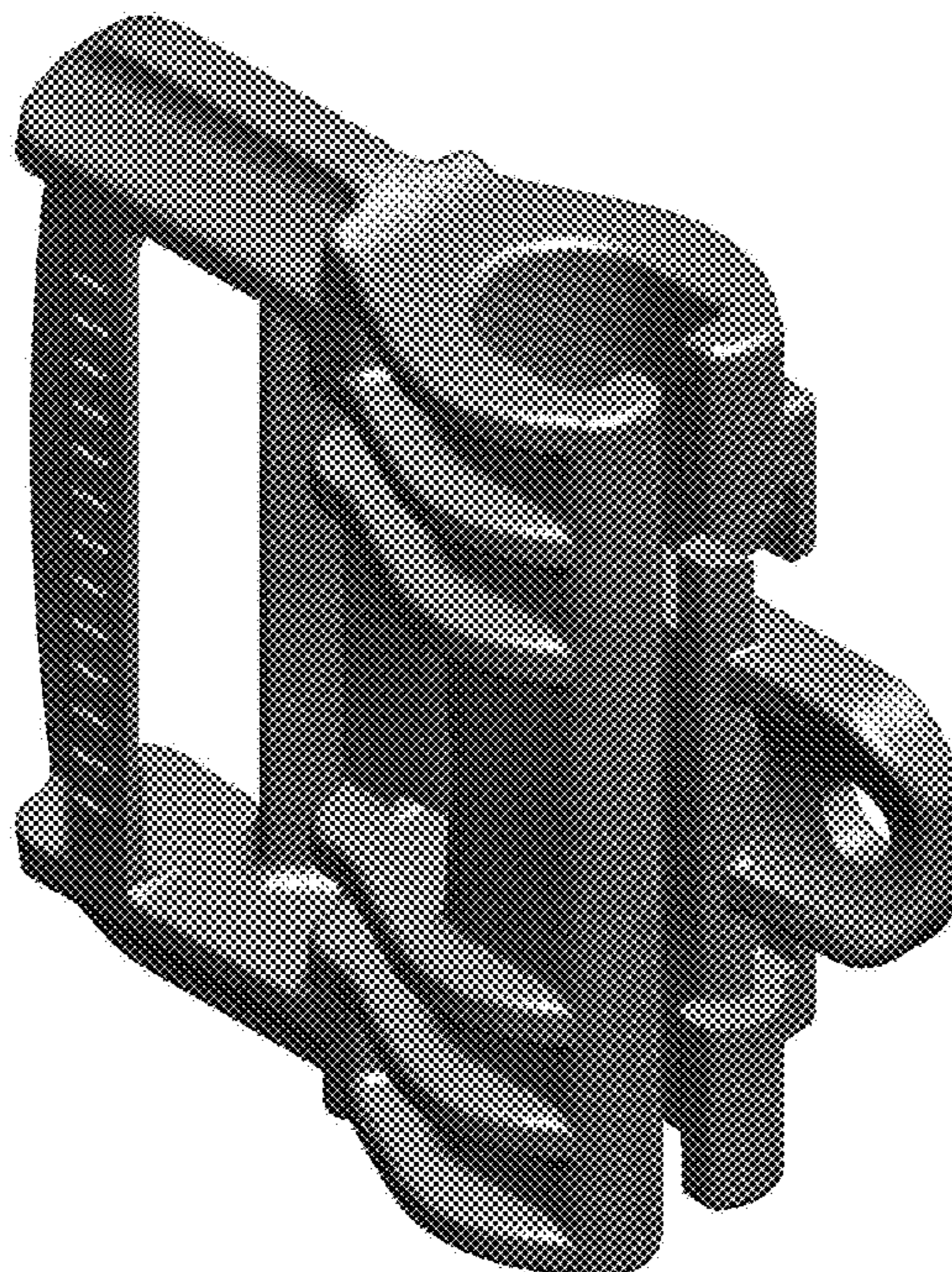
(57) **CLAIM**

The ornamental design for a slide buckle body, as shown and described.

DESCRIPTION

FIG. 1 is a perspective view of the slide buckle body showing the new design;
FIG. 2 is a right side view thereof;
FIG. 3 is a left side view thereof;
FIG. 4 is a top view thereof;
FIG. 5 is a front end view thereof;
FIG. 6 is a bottom view thereof; and,
FIG. 7 is a back end thereof.

1 Claim, 7 Drawing Sheets



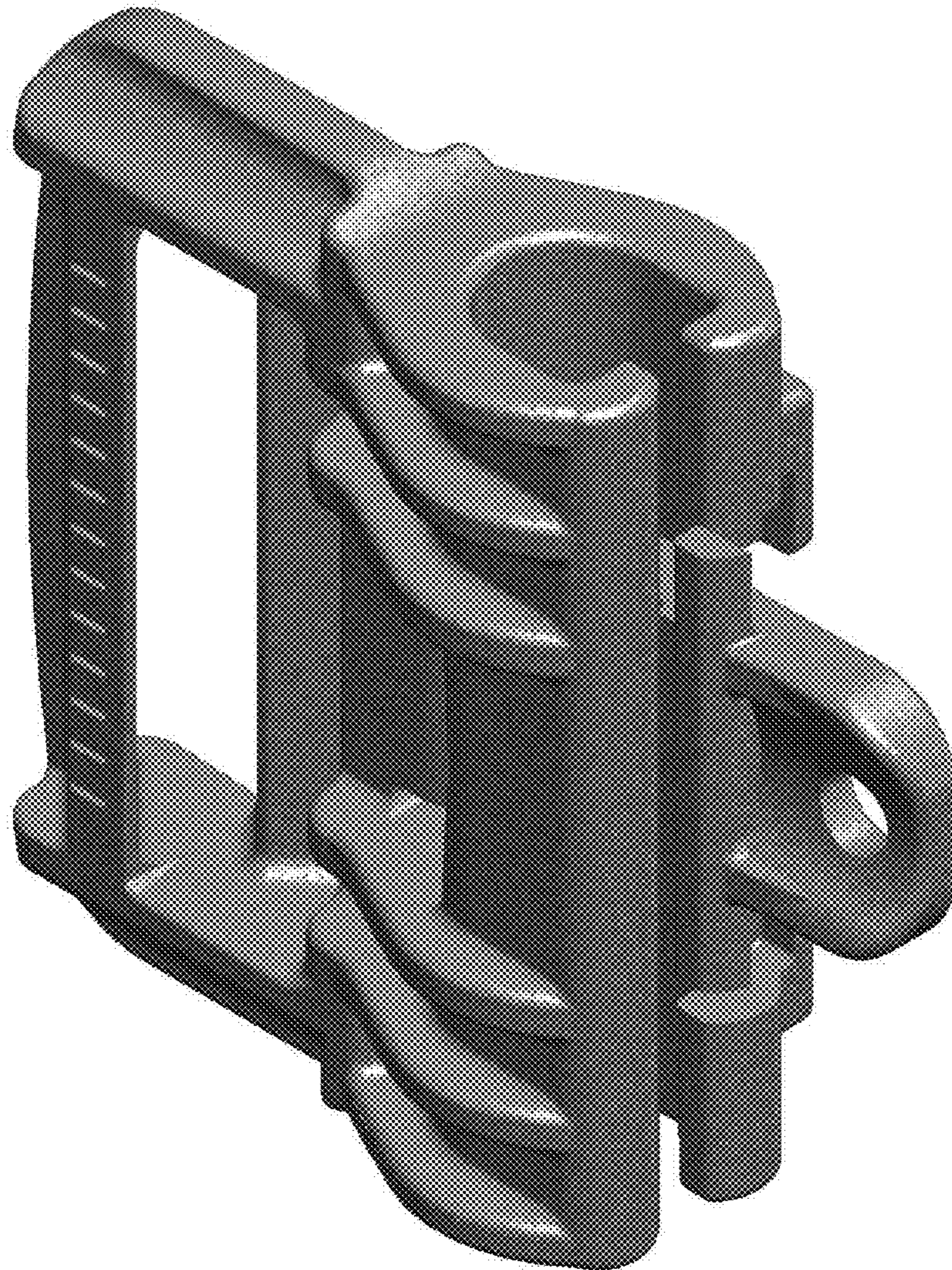


FIG. 1

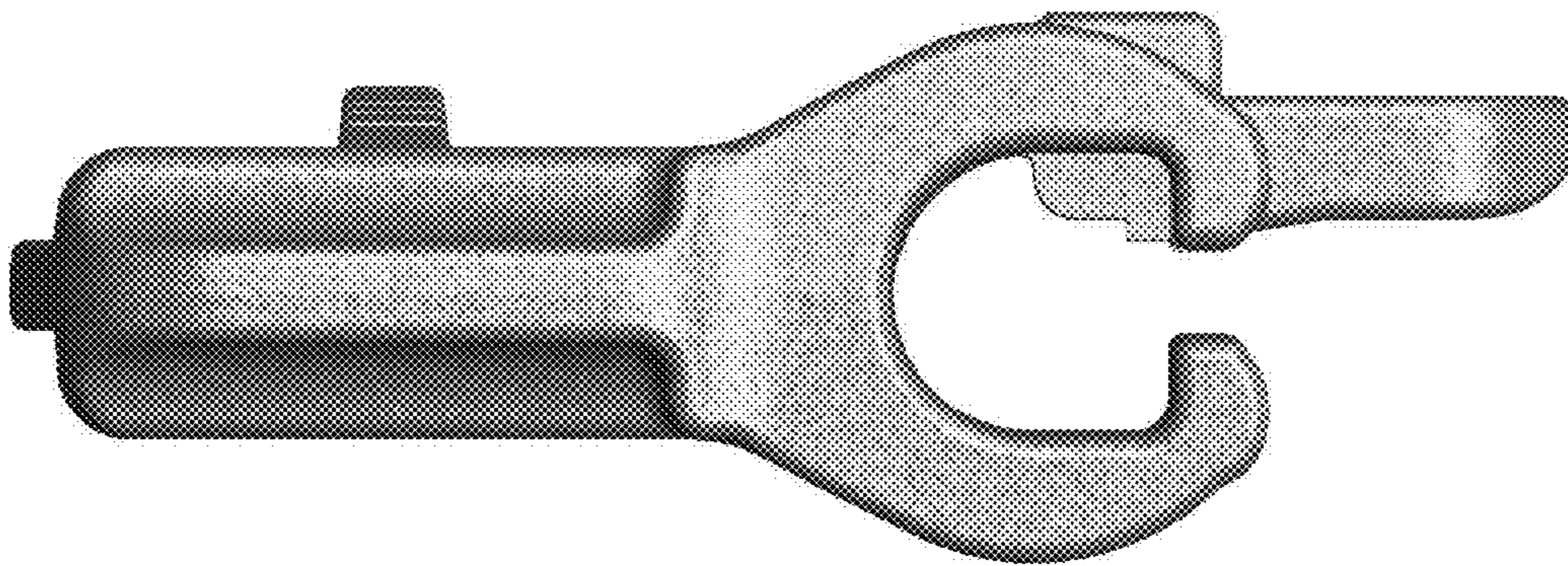


FIG. 2

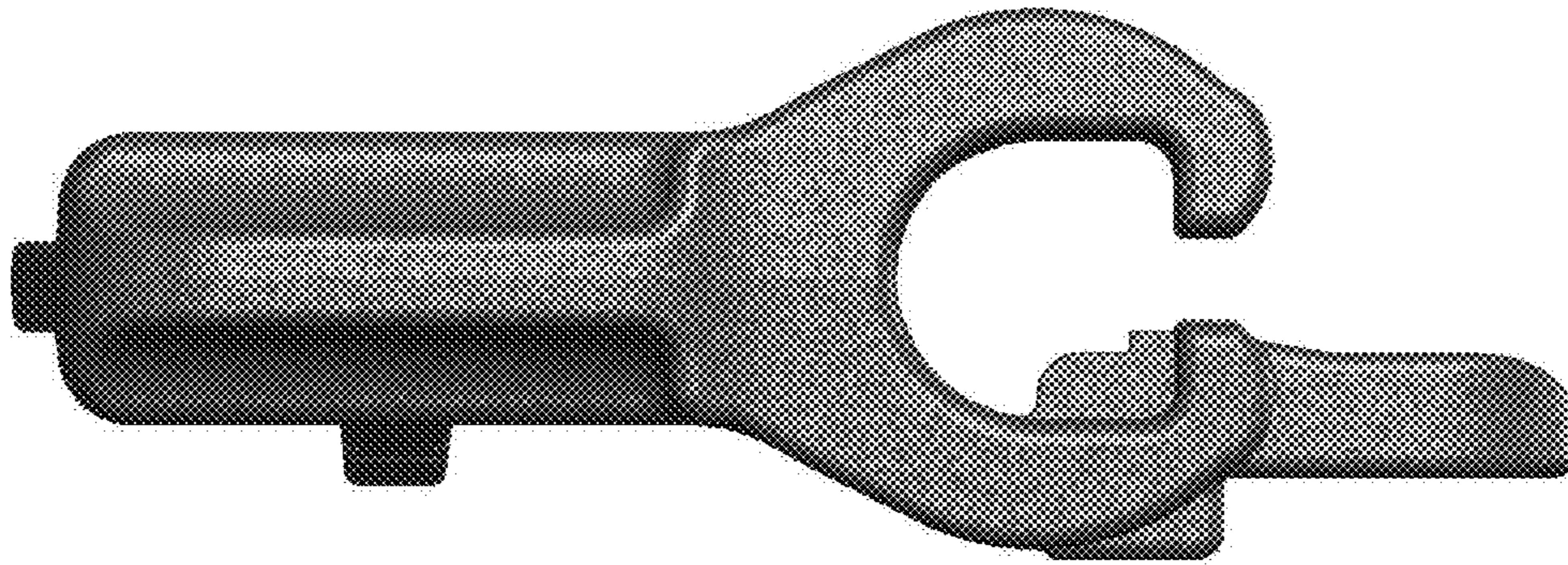


FIG. 3

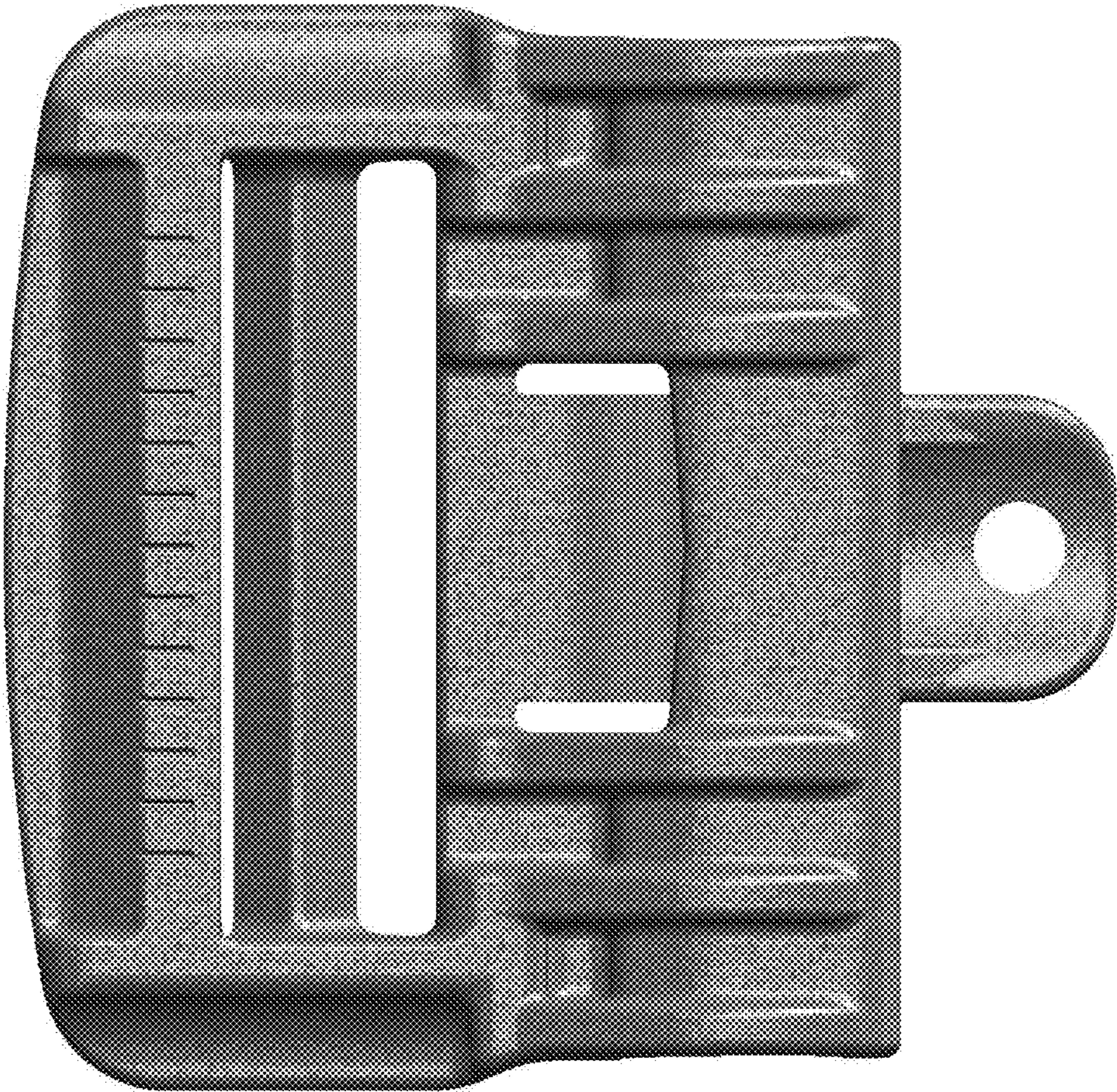


FIG. 4

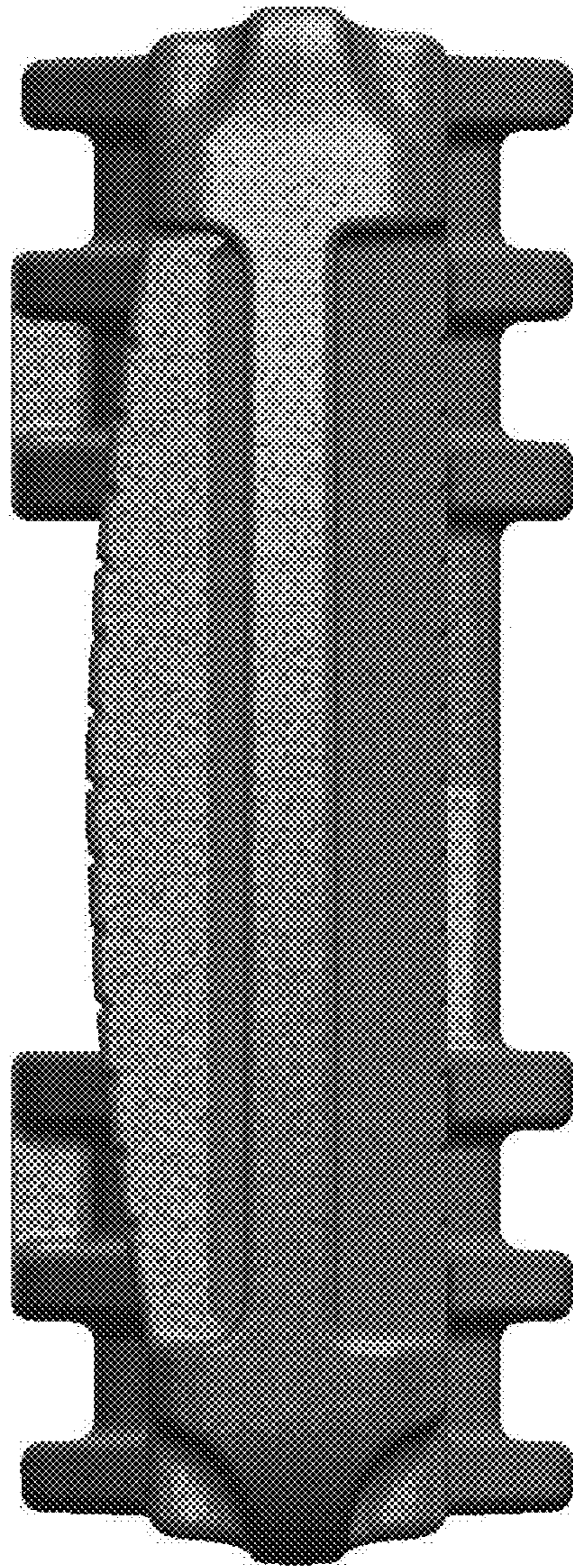


FIG. 5

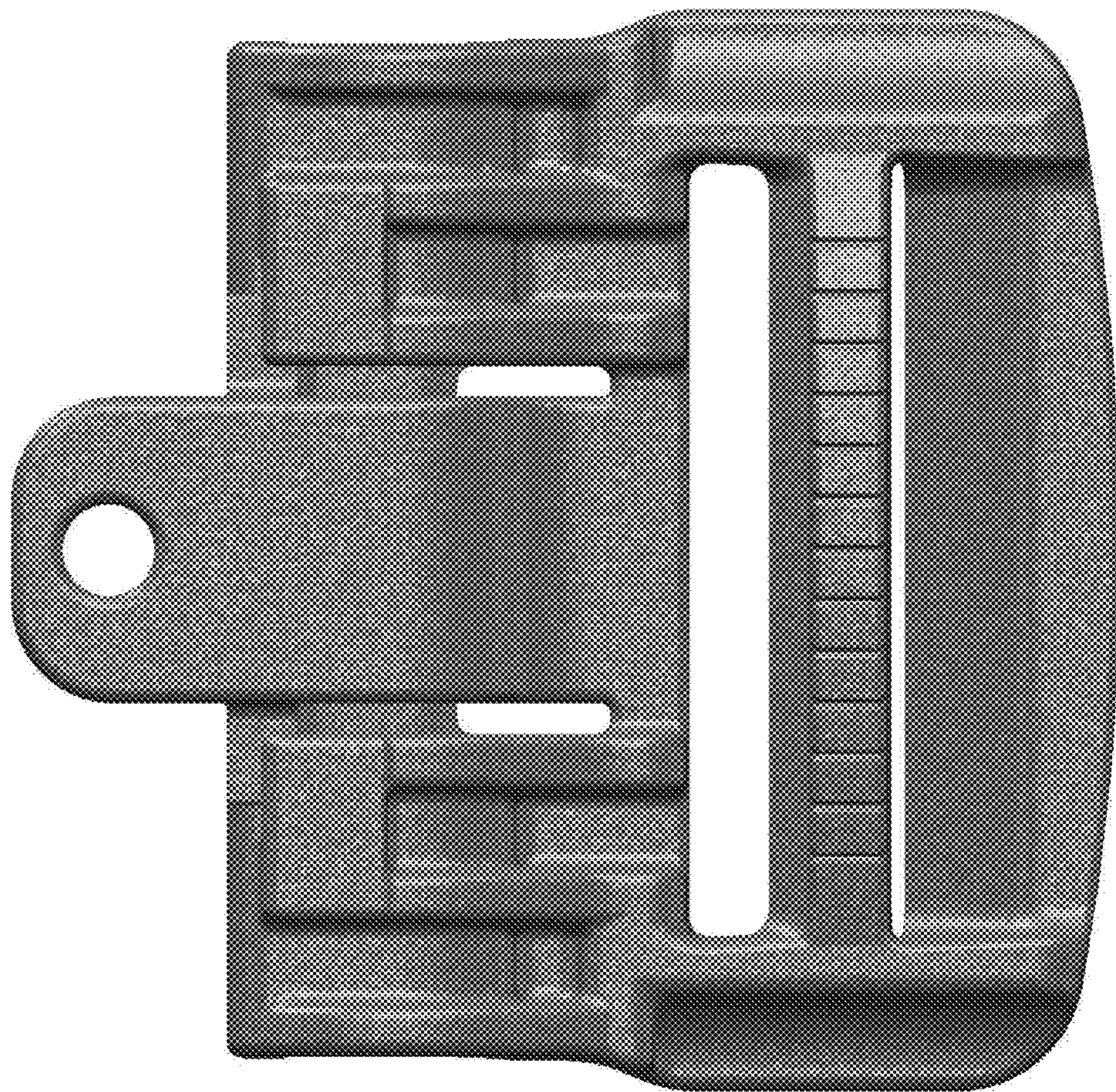


FIG. 6

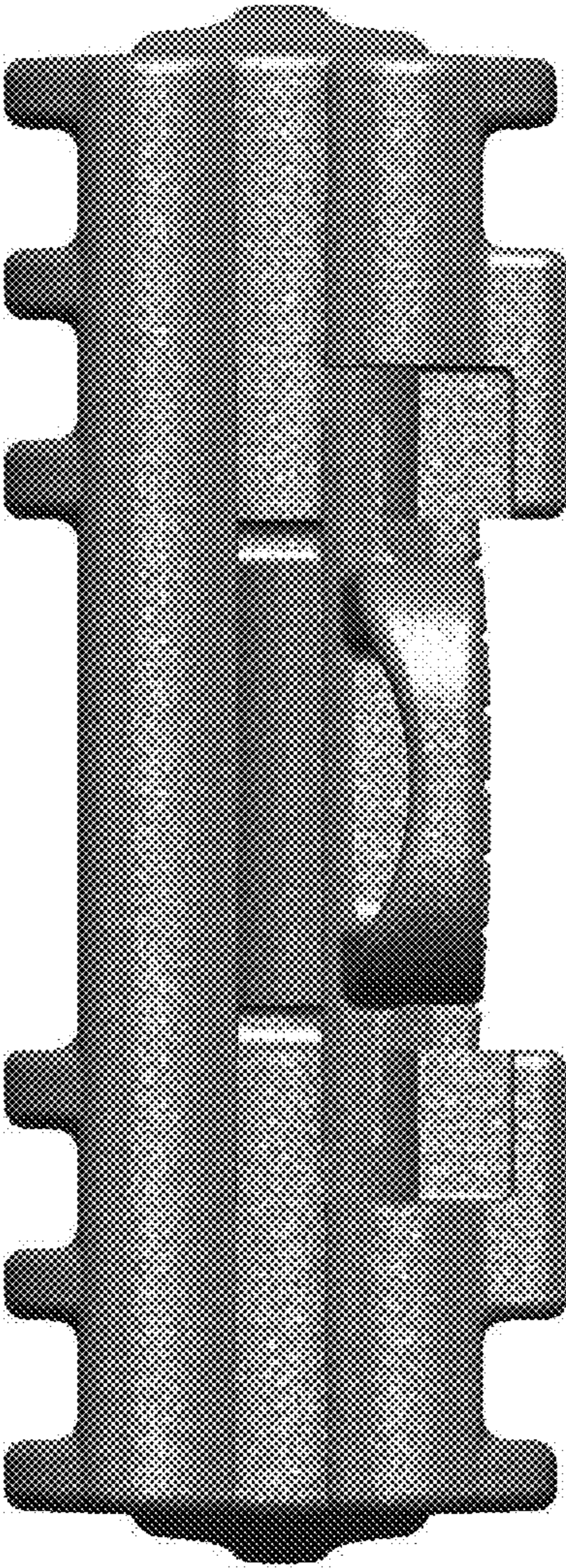


FIG. 7