



US00D711774S

(12) **United States Design Patent**
Paik et al.

(10) **Patent No.:** **US D711,774 S**

(45) **Date of Patent:** **** Aug. 26, 2014**

(54) **BUCKLE**

(71) Applicant: **Woojin Plastic Co. Ltd.**, Guri-si (KR)

(72) Inventors: **Jisook Paik**, Seoul (KR); **Nan Hee Paik**, Seoul (KR); **Ji Hye Paik**, Seoul (KR); **Ji Won Son**, Seoul (KR)

(73) Assignee: **Woojin Plastic Co. Ltd.**, Guri-Si, Gyeonggi-Do (KR)

(**) Term: **14 Years**

(21) Appl. No.: **29/477,784**

(22) Filed: **Dec. 26, 2013**

(51) **LOC (10) Cl.** **02-07**

(52) **U.S. Cl.**
USPC **D11/216**

(58) **Field of Classification Search**
CPC A44B 11/00; A44B 11/25; A44B 21/00; A44B 17/00
USPC D11/1-2, 200-201, 206-210, 214-218; 24/163 R, 169-171, 173, 177-179, 191, 24/194-195, 197, 200, 614-616, 625, 198, 24/578.11, 578.1, 163 K, 114, 307

See application file for complete search history.

(56) **References Cited**

U.S. PATENT DOCUMENTS

D519,409 S *	4/2006	Sporn	D11/216
D616,331 S *	5/2010	Anscher	D11/216
D635,891 S *	4/2011	Grimm et al.	D11/216
D681,505 S *	5/2013	Grimm et al.	D11/216
8,539,646 B2 *	9/2013	Falvai	24/265 BC
D699,625 S *	2/2014	Grimm et al.	D11/218

* cited by examiner

Primary Examiner — Ralf Seifert

(74) *Attorney, Agent, or Firm* — Novick, Kim & Lee, PLLC; Jae Youn Kim

(57) **CLAIM**

We claim, the ornamental design for a buckle, as shown and described.

DESCRIPTION

FIG. 1 is a perspective view of a buckle showing our new design;
FIG. 2 is a front elevational view thereof;
FIG. 3 is a rear elevational view thereof;
FIG. 4 is a left side elevational view thereof;
FIG. 5 is a right side elevational view thereof;
FIG. 6 is a top plan view thereof; and,
FIG. 7 is a bottom plan view thereof.

1 Claim, 5 Drawing Sheets

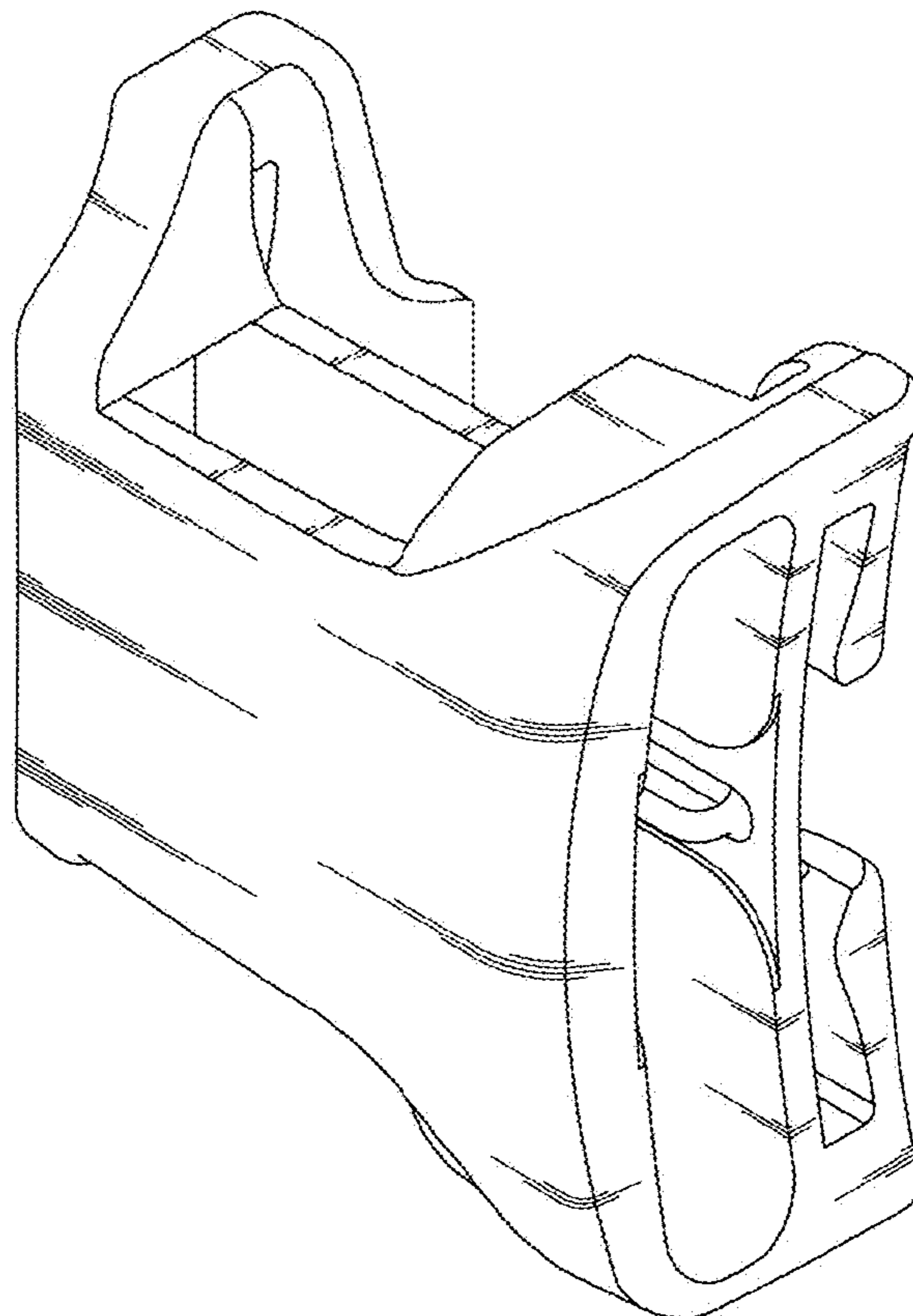


FIG.1

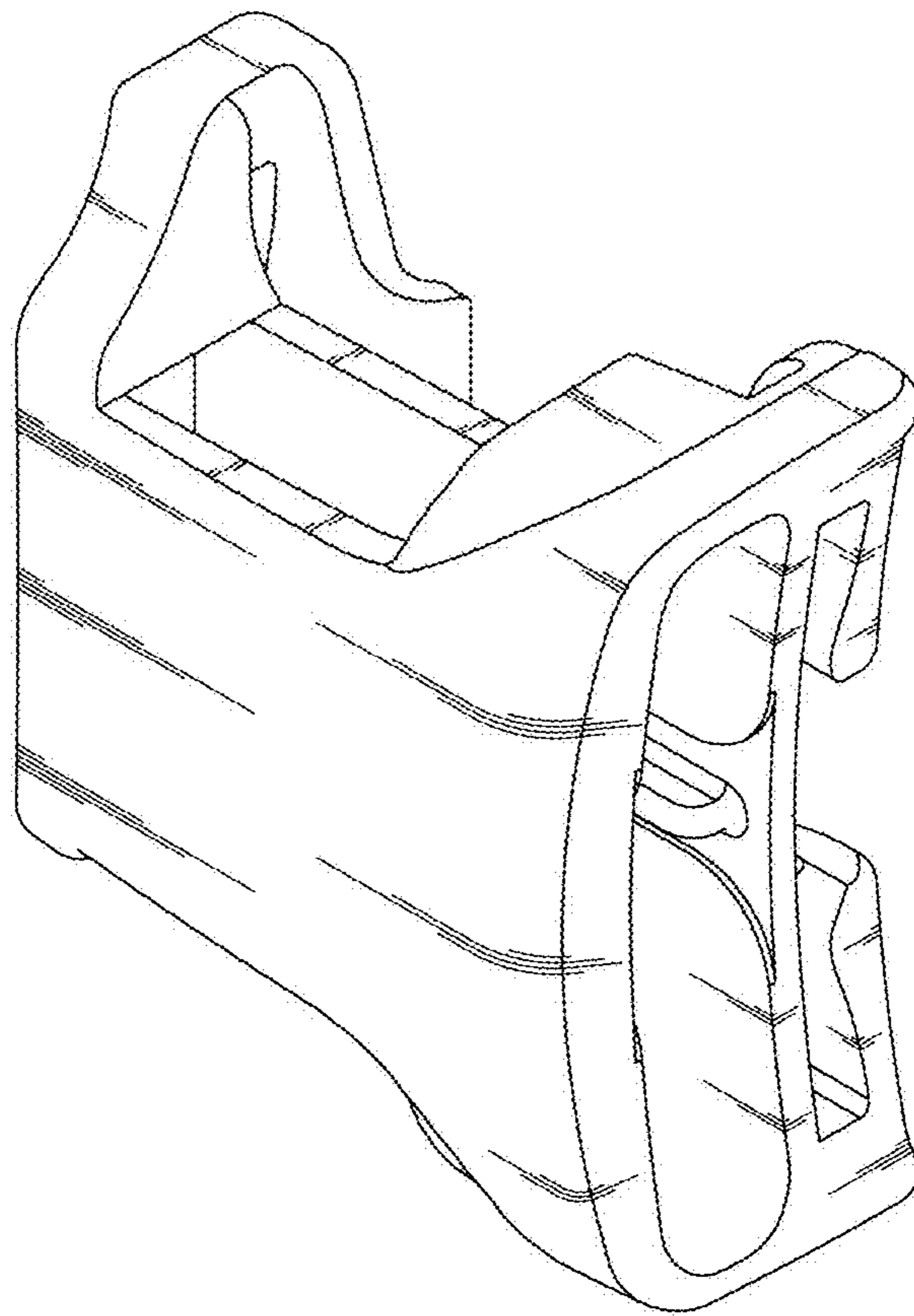


FIG.2

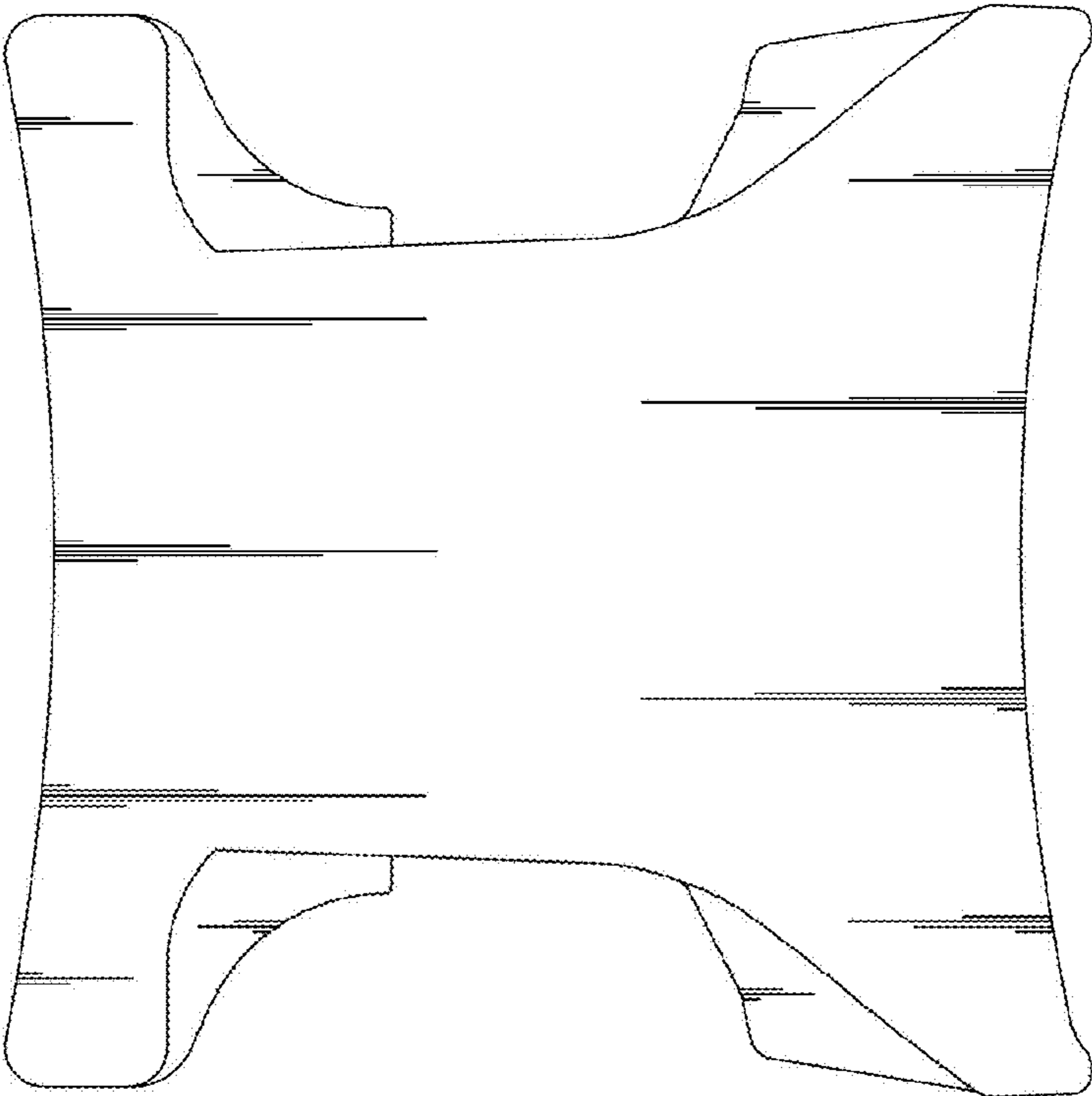


FIG.3

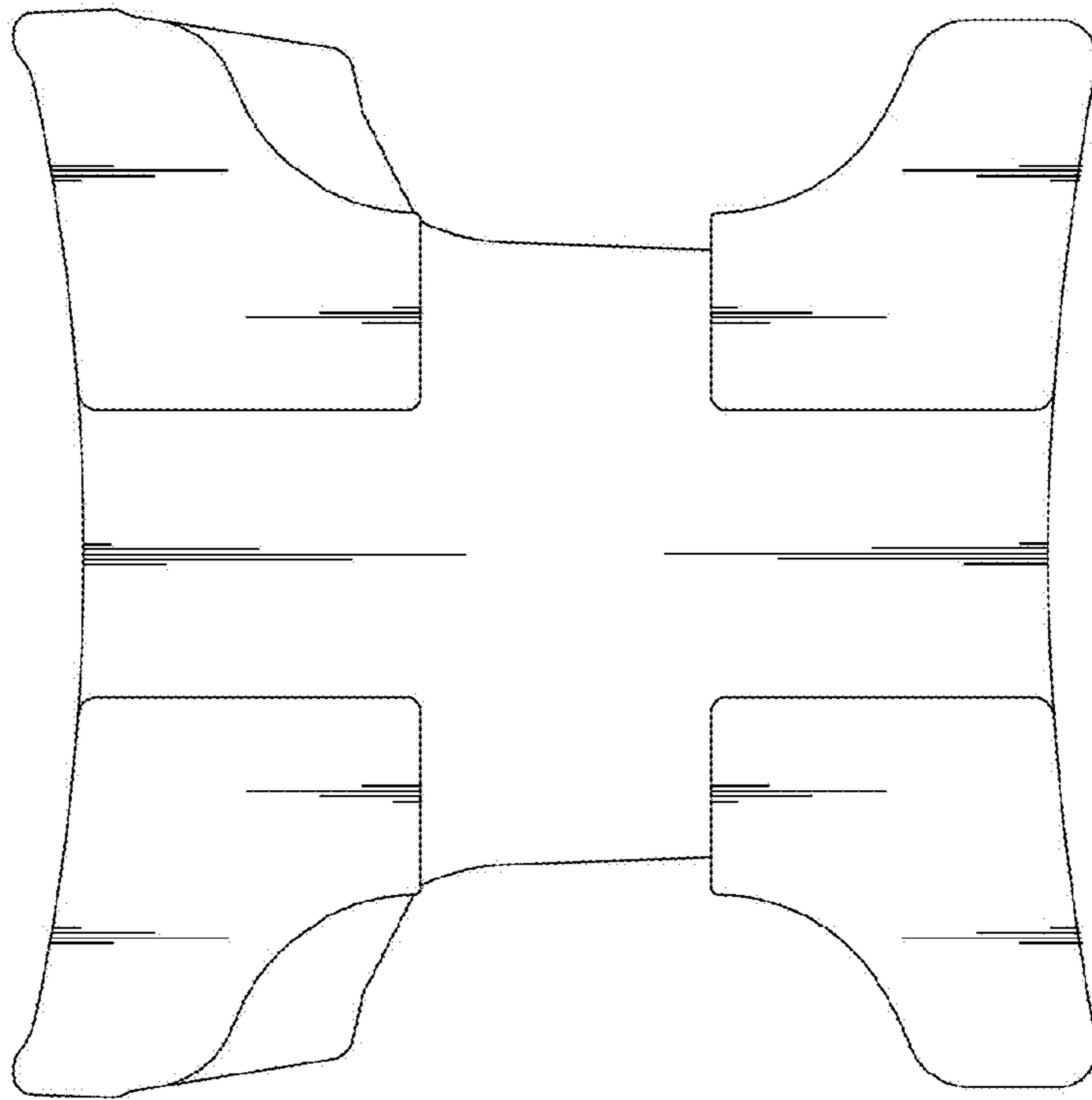


FIG.4

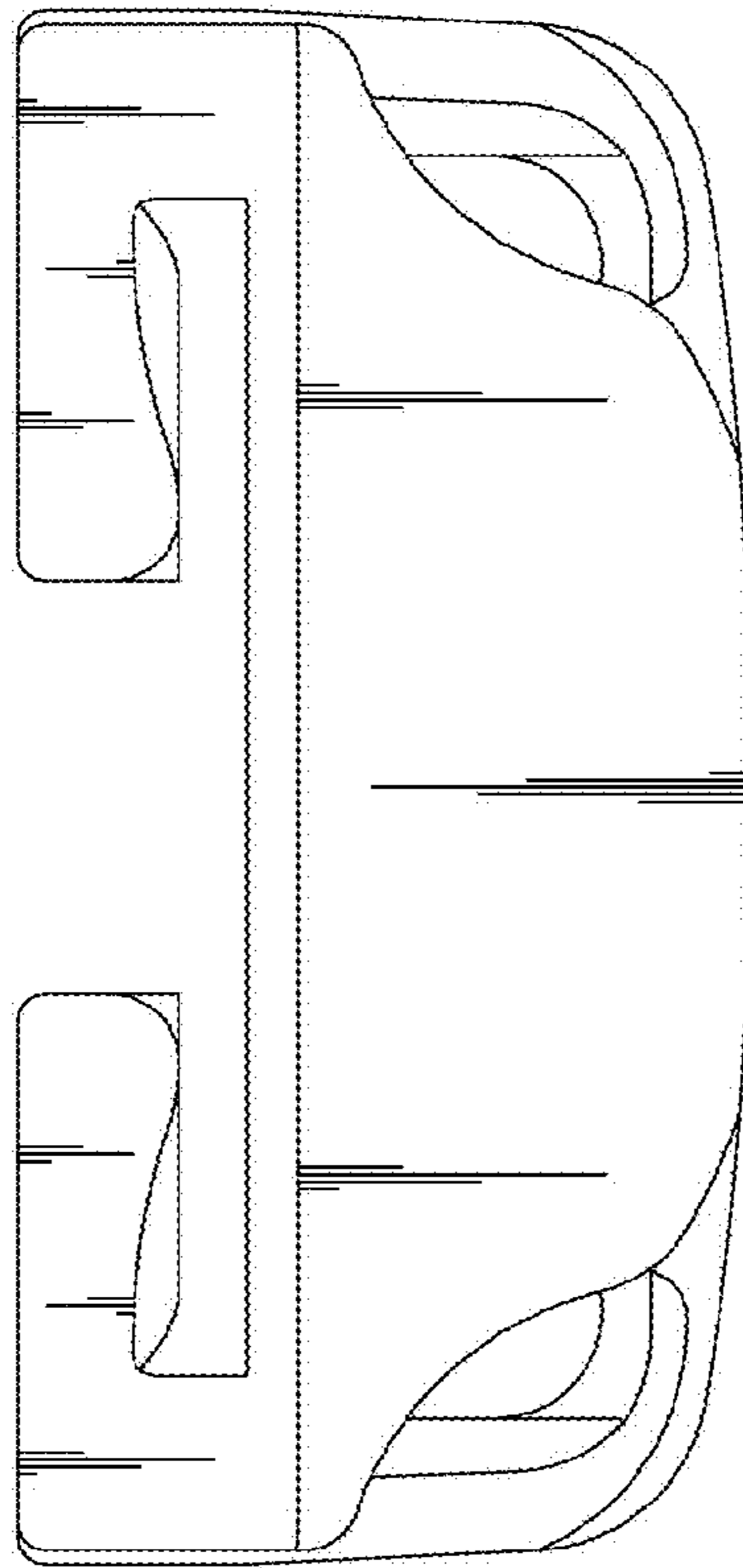


FIG.5

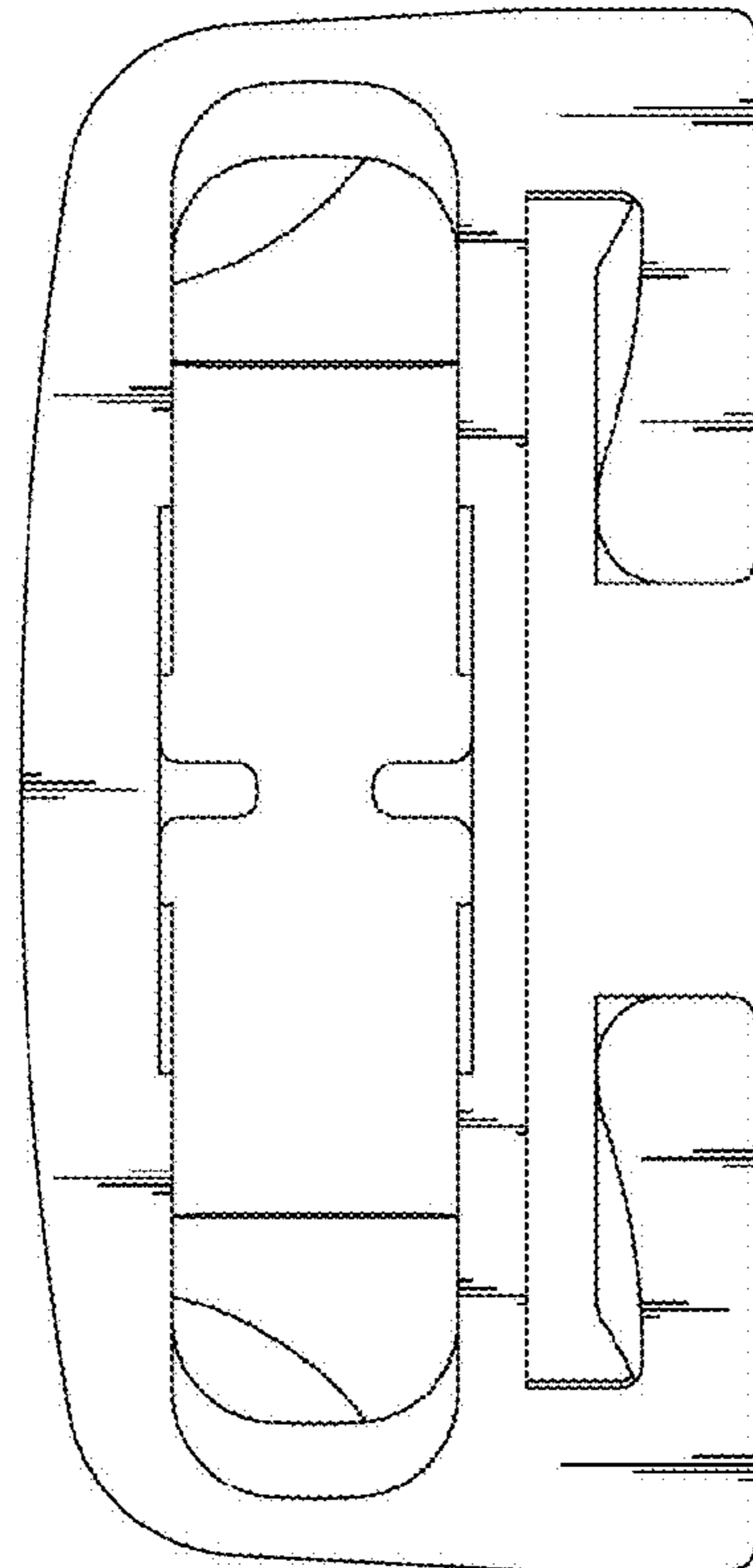


FIG.6

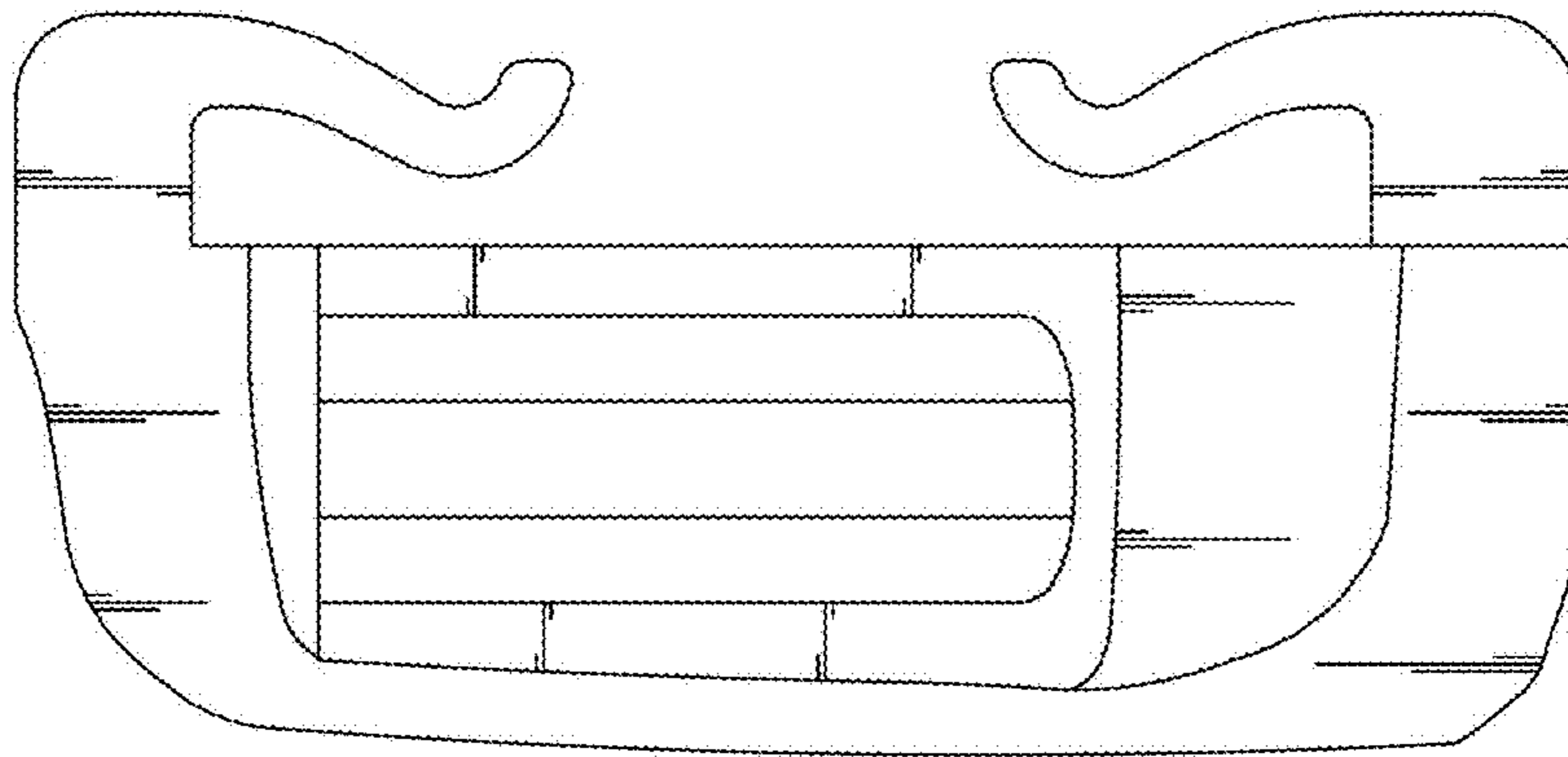


FIG.7

