



US00D711760S

(12) **United States Design Patent**
Savoy

(10) **Patent No.:** **US D711,760 S**

(45) **Date of Patent:** **** Aug. 26, 2014**

(54) **WATCH STRAP**

(71) Applicant: **Pascal Savoy**, Ft. Lauderdale, FL (US)

(72) Inventor: **Pascal Savoy**, Ft. Lauderdale, FL (US)

(**) Term: **14 Years**

(21) Appl. No.: **29/432,657**

(22) Filed: **Sep. 18, 2012**

(51) **LOC (10) Cl.** **11-01**

(52) **U.S. Cl.**

USPC **D11/3**; D10/32

(58) **Field of Classification Search**

USPC D11/1–25, 93, 94, 200; D10/30–39,
D10/122–132; 368/276–278, 281–283;
63/3, 3.1, 3.2, 4, 5.1, 6–9, 15, 15.1,
63/15.2; 224/164–180

See application file for complete search history.

(56) **References Cited**

U.S. PATENT DOCUMENTS

D350,071	S *	8/1994	Giardiello	D10/32
D383,073	S *	9/1997	Miller	D10/31
D404,676	S *	1/1999	Sayama	D11/5
6,185,160	B1 *	2/2001	Tsuda	368/276
D515,945	S *	2/2006	Goto et al.	D10/32
D550,101	S *	9/2007	Umebayashi et al.	D10/32
D577,624	S *	9/2008	Nussbaumer	D11/3
7,529,155	B2 *	5/2009	Fasciano	368/277
D598,301	S *	8/2009	Moritz	D10/32
D628,111	S *	11/2010	Cerrato	D11/3
2013/0219960	A1 *	8/2013	Gerard-Goddet	63/3.2
2013/0239611	A1 *	9/2013	Patterson	63/15
2014/0078871	A1 *	3/2014	Savoy	368/282

OTHER PUBLICATIONS

Replacement watch strap Citizen black rubber special lug ends for BM6530-04F, WatchbandCenter.com, online. Site visited Apr. 3,

2014. Internet URL: <“http://www.watch-band-center.com/watchstrap-p17860h167s1857-Replacement-watch-st.html”>.*
Replacement Citizen 22mm band, Watchbandcenter.com, online. Site visited Mar. 27, 2014. Internet URL: <“http://www.watch-band-center.com/watchstrap-p17799h167s171-Replacement-watch-st.html”>.*
Stürling Rubber Strap Watch, SHQP.com, online. Site visited Apr. 3, 2014. Internet URL: <“http://www.shophq.com/St_uuml_hrling_Original_47mm_Commander_Quartz_Chronograph_Stainless_Steel_Case_Rubber_Strap_Watch/625-147.aspx?storeid=1&track=-20101&cm_re=SearchList--N--N&page=LIST&free_text=rubber&ImageSize=1&itemsperpage=96”>.*

(Continued)

Primary Examiner — Cathron Brooks

Assistant Examiner — Llorellys Martinez-Rivera

(74) *Attorney, Agent, or Firm* — Leason Ellis LLP

(57) **CLAIM**

The ornamental design for a watch strap, as shown and described.

DESCRIPTION

FIG. 1 is a top left perspective view of a watch strap showing my new design;

FIG. 2 is the outer elevational view of one side of the strap thereof;

FIG. 3 is the inner elevational view of the strap shown in FIG. 2;

FIG. 4 is a right side elevation view of the strap of FIG. 2, the left side being identical thereto;

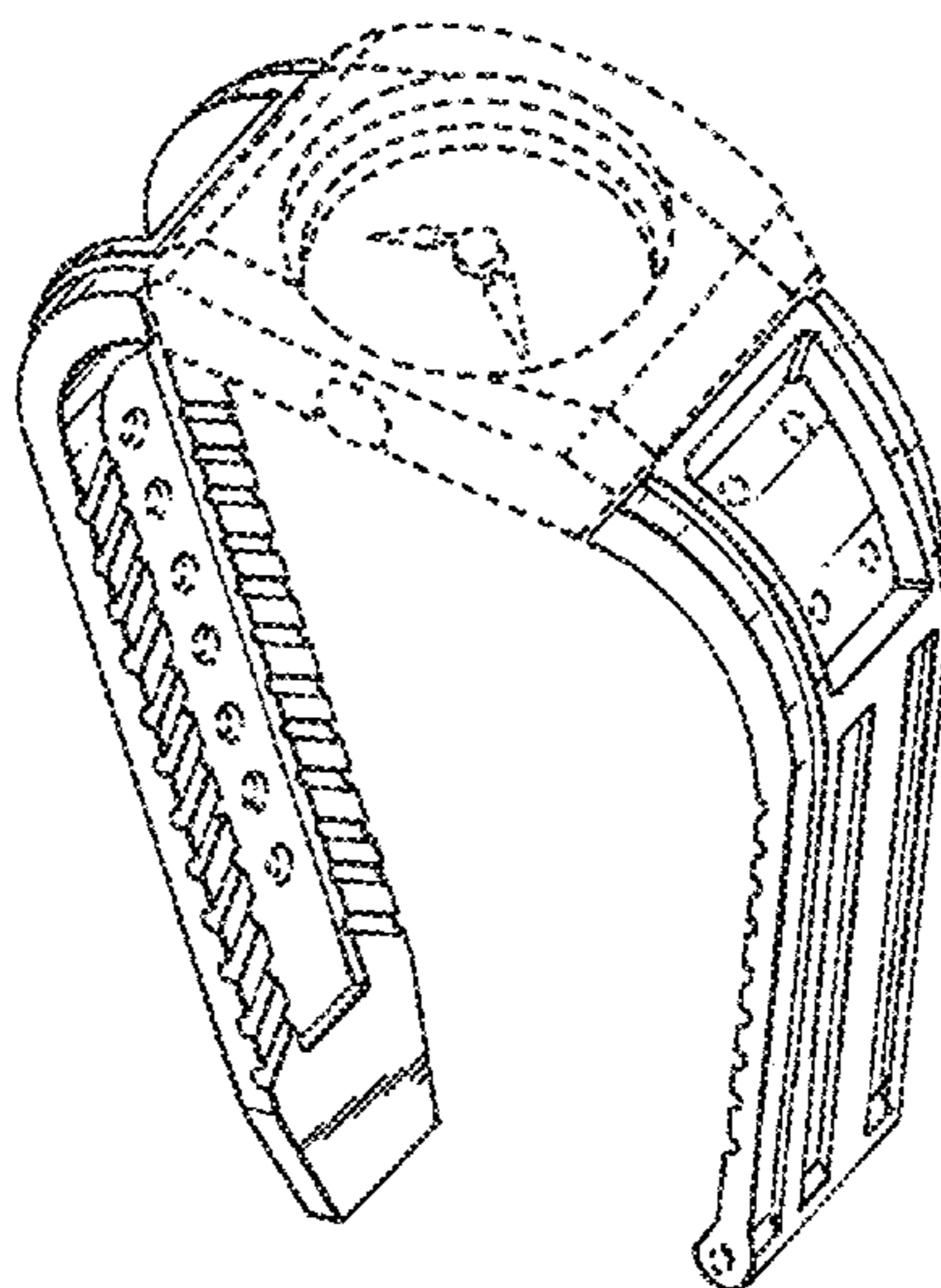
FIG. 5 is the outer elevational view of the other side of the strap thereof;

FIG. 6 is the inner elevational view of the strap shown in FIG. 5; and,

FIG. 7 is a left side elevation view of the strap of FIG. 5; the right side being identical thereto.

The broken lines shown illustrate portions of the watch strap that form no part of the claimed design.

1 Claim, 2 Drawing Sheets



(56)

References Cited

OTHER PUBLICATIONS

Swiss Legend Rubber Strap Watch, SHQP.com, online. Site visited Apr. 3, 2014. Internet URL: <“http://www.shophq.com/Swiss_Legend_52mm_Neptune_Quartz_Rose_tone_Bezel_Rubber_Strap_Watch/624-874.aspx?storeid=1&track=-20101&cm_re=SearchList-_-N-_-N&page=LIST&free_text=rubber&ImageSize=1&itemsperpage=96”>.*

Seiko Sportura, forum thread Watchuseek.com, published Aug. 2007, online. Site visited Apr. 3, 2014. Internet URL: <“http://forums.watchuseek.com/f319/fs-seiko-sportura-honda-racing-fl-dual-flyback-leather-rubber-straps-*new-401872.html”>.*

Freestyle Polyurethane strap, Yahoo Shopping listing, online. Site visited Apr. 3, 2014. Internet URL: <“https://shopping.yahoo.com/91482714-whether-youre-way-into-action-sports-or-you-just-fall-down-a-lot-the-freestyle-convert-watch-takes-the-knocks-freestyle-designed-this-watch-with-a-durable-flexible-polyurethane-strap-a-scratch-resistant-min . . . ”>.*

Authentic INVICTA Reserve Russian Diver Rubber Strap and Screw pins, Ebay.com listing, online. Site visited Apr. 3, 2014. Internet URL: <“http://www.ebay.com/itm/NEW-Authentic-INVICTA-Reserve-Russian-Diver-Rubber-Strap-and-Screw-pins-Black-/151265122841?pt=US_Watch_Bands&hash=item23381a9a19#ht_2021wt_1066”>.*

* cited by examiner

Fig. 1

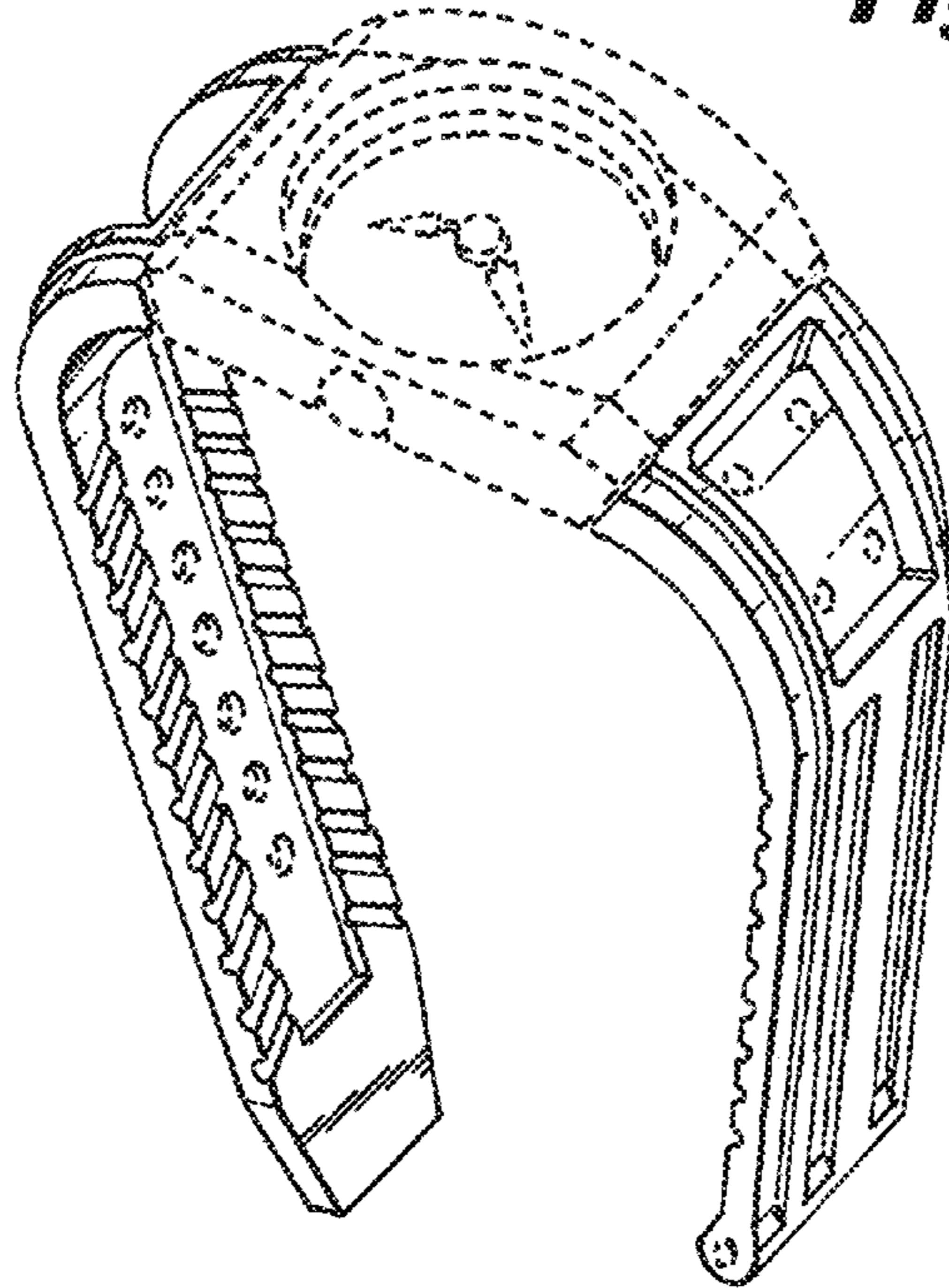


Fig. 2

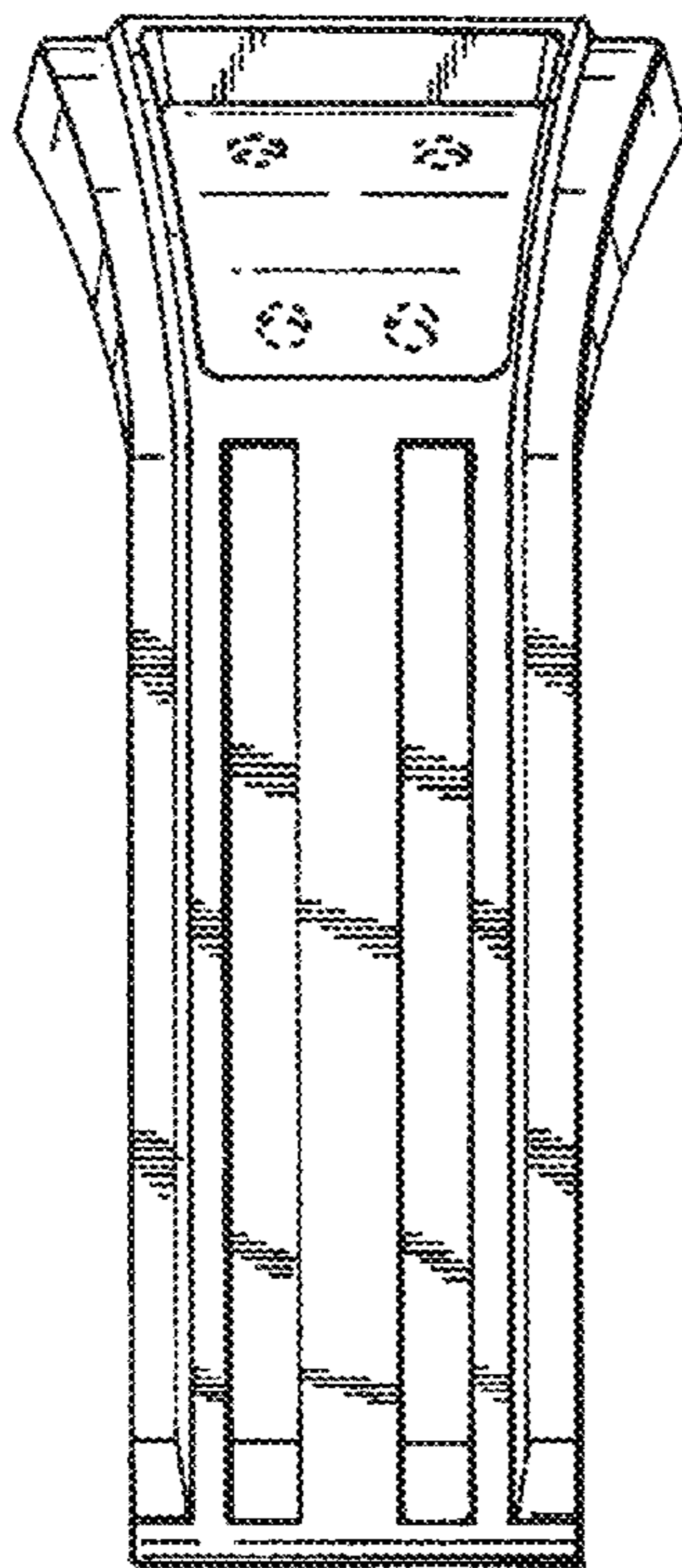


Fig. 3

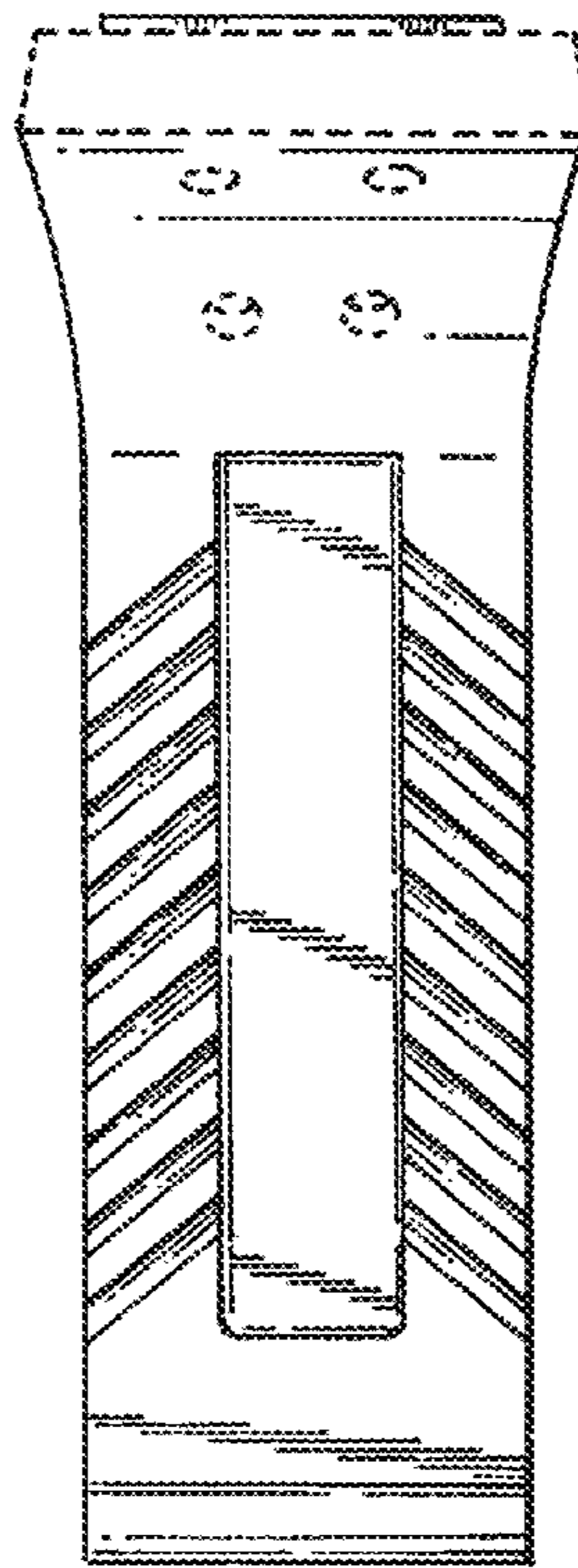
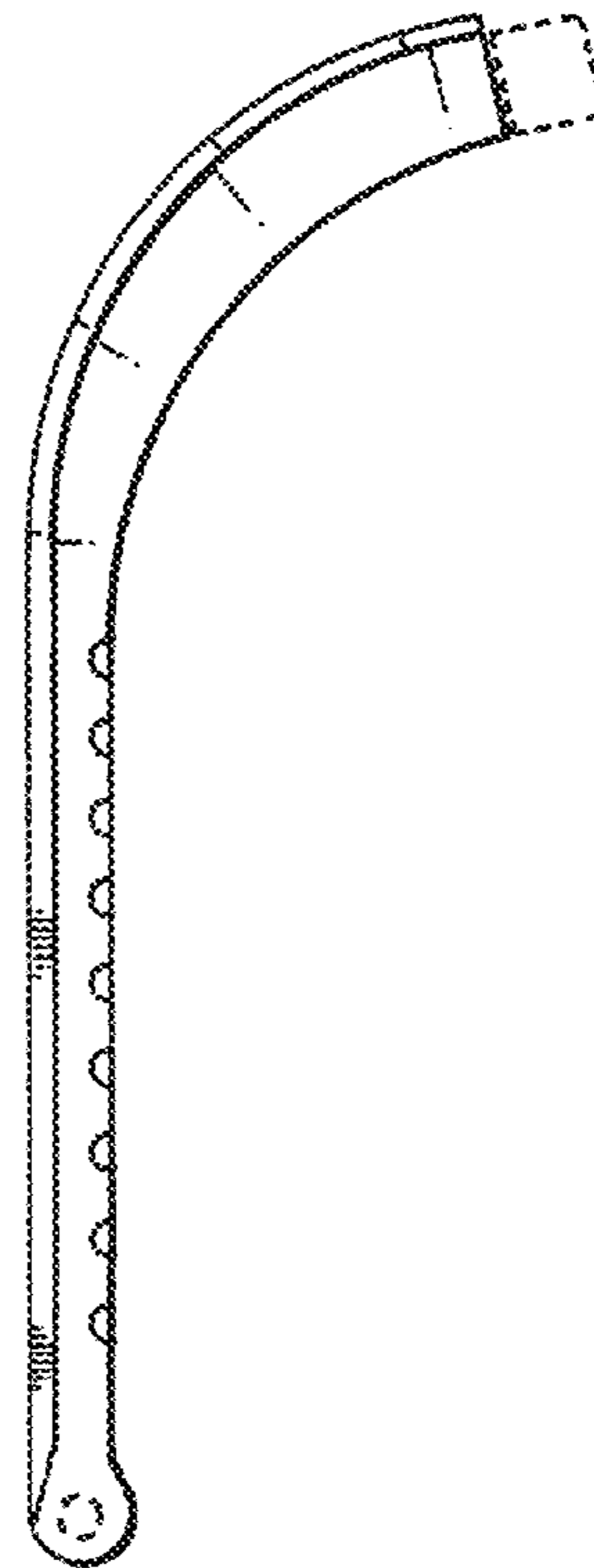


Fig. 4



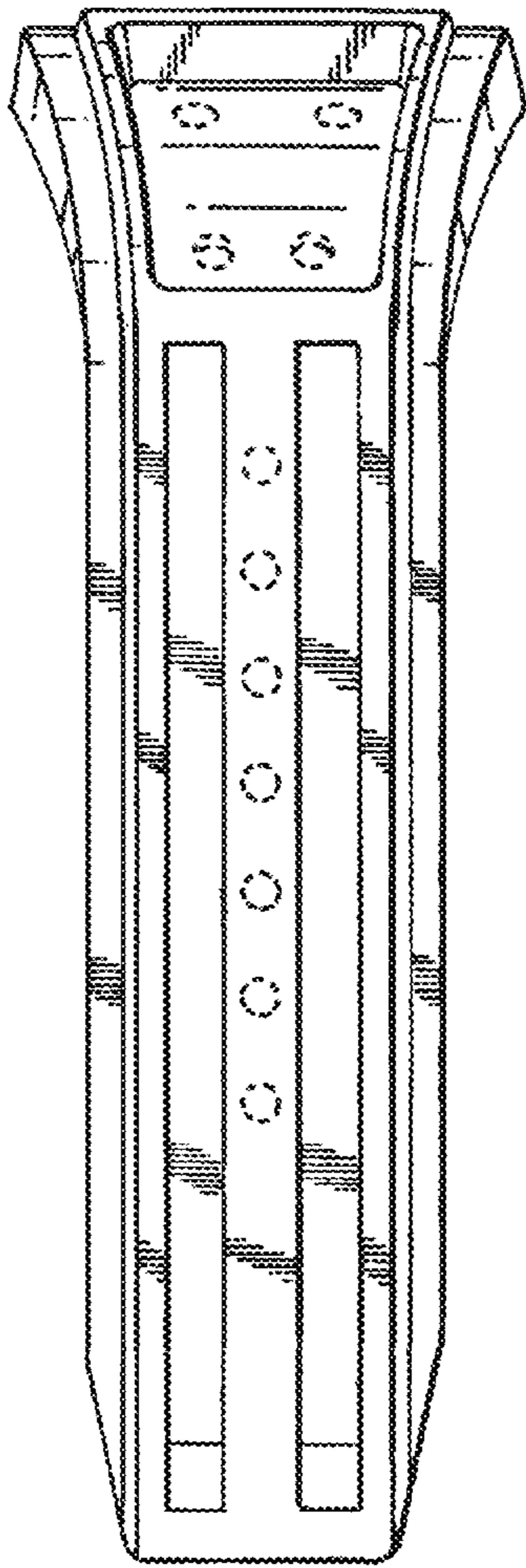


Fig. 5

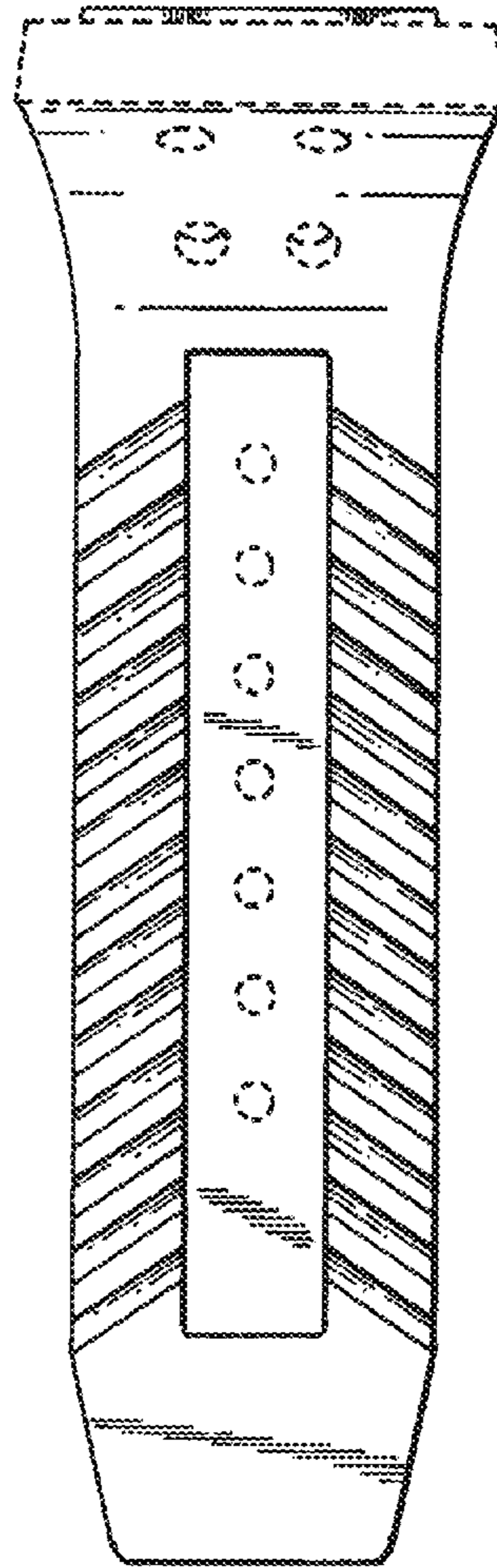


Fig. 6

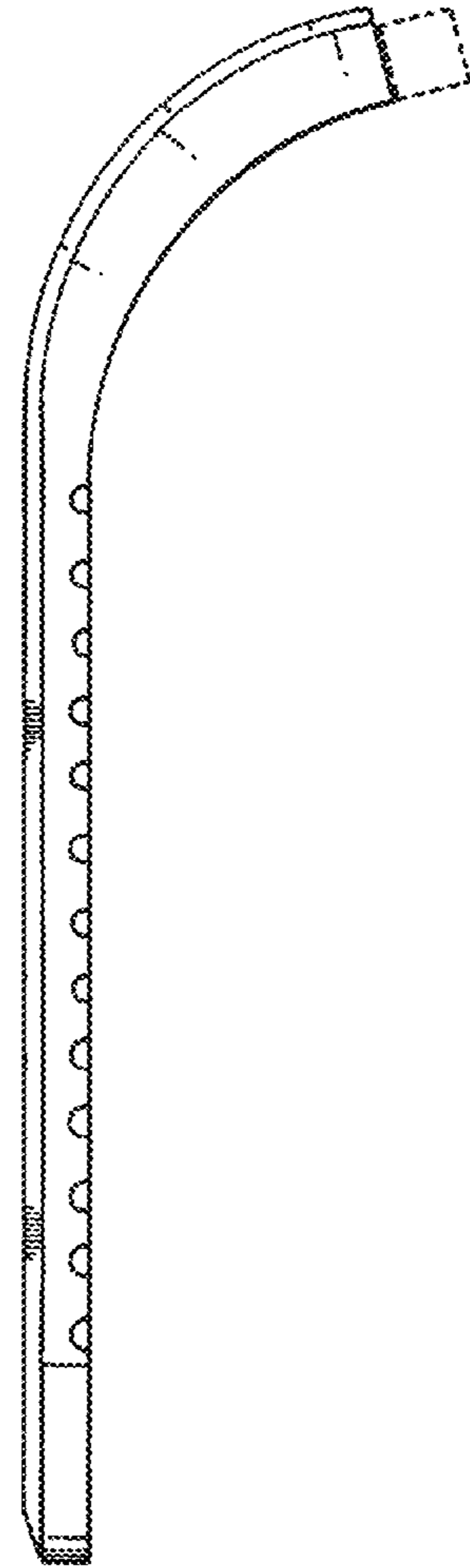


Fig. 7