



US00D711759S

(12) **United States Design Patent**
Salzer et al.

(10) **Patent No.:** **US D711,759 S**

(45) **Date of Patent:** **** Aug. 26, 2014**

(54) **JEWELRY WITH BRACKETS AND CHARMS**

(75) Inventors: **Jennifer E. Salzer**, New York, NY (US);
Marc S. Lemchen, New York, NY (US);
Lisa S. Salzer, New York, NY (US)

(73) Assignee: **Braced-Lets IP Holdings, LLC.**, New York, NY (US)

(**) Term: **14 Years**

(21) Appl. No.: **29/408,725**

(22) Filed: **Dec. 15, 2011**

(51) **LOC (10) Cl.** **11-01**

(52) **U.S. Cl.**
USPC **D11/3**

(58) **Field of Classification Search**
USPC D11/1-39; 63/1.11, 3, 3.1, 3.2, 5.1, 5.2,
63/7-11, 15, 15.1-15.4, 15.45, 15.5, 15.6,
63/15.65; D24/180; 433/10

See application file for complete search history.

(56) **References Cited**

U.S. PATENT DOCUMENTS

D112,303	S	*	11/1938	Huddle	D2/633
2,322,461	A	*	6/1943	Mariano	63/3
D273,472	S	*	4/1984	Goldstein	D11/75
D302,588	S	*	8/1989	Jones	D24/180
D502,661	S	*	3/2005	Rapport	D11/3
7,178,364	B2	*	2/2007	Shapiro et al.	63/3
D603,286	S	*	11/2009	Lemchen et al.	D11/3
D631,380	S	*	1/2011	Papadimitriou	D11/3
D660,743	S	*	5/2012	Crafton	D11/41
D681,496	S	*	5/2013	Goerges	D11/3

OTHER PUBLICATIONS

[Online] http://olivesandpearls.files.wordpress.com/2011/11/tumblr_lswp9jkkel1qhxyk.jpg. Accessed Feb. 5, 2014.*

[Online] http://www.theideaisin.com/blog/wp-content/uploads/2012/06/269372_10150885503518462_231340289_n1.jpg. Accessed Feb. 5, 2014.*

[Online] http://greeneyed.com/wp-content/uploads/IMG_5357_85558_zoom.jpg. Accessed Feb. 5, 2014.*

* cited by examiner

Primary Examiner — Garth Rademaker

Assistant Examiner — Melanie Pellegrini

(74) *Attorney, Agent, or Firm* — Marcus C. Dawes; Daniel L. Dawes

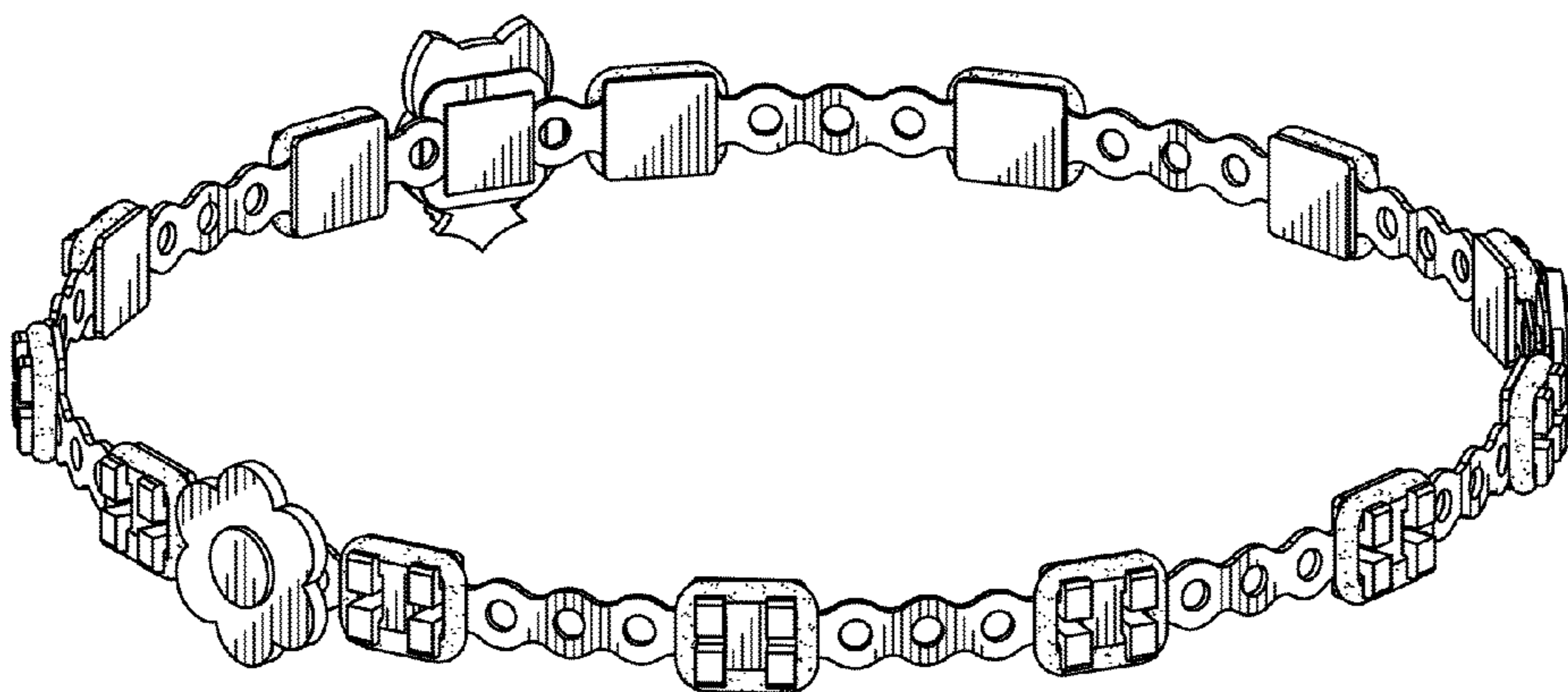
(57) **CLAIM**

The ornamental design for jewelry with brackets and charms, as shown and described.

DESCRIPTION

FIG. 1 is a perspective view of jewelry with brackets and charms showing our new design; FIG. 2 is a front elevational view thereof; FIG. 3 is a top plan view thereof; FIG. 4 is a side elevational view thereof taken from a different angle of view from than FIG. 2; FIG. 5 is a side elevational view thereof taken from a different angle of view than FIGS. 2 and 4; FIG. 6 is a side elevational view thereof taken from a different angle of view than FIGS. 2, 4 and 5; FIG. 7 is a bottom plan view thereof; FIG. 8 is a perspective view thereof, shown in use; and, FIG. 9 is a perspective view thereof, shown with the back of the owl-shaped charm separated. With regard to FIG. 8, the broken lines in the drawing represent environmental matter that forms no part of the claimed design.

1 Claim, 5 Drawing Sheets



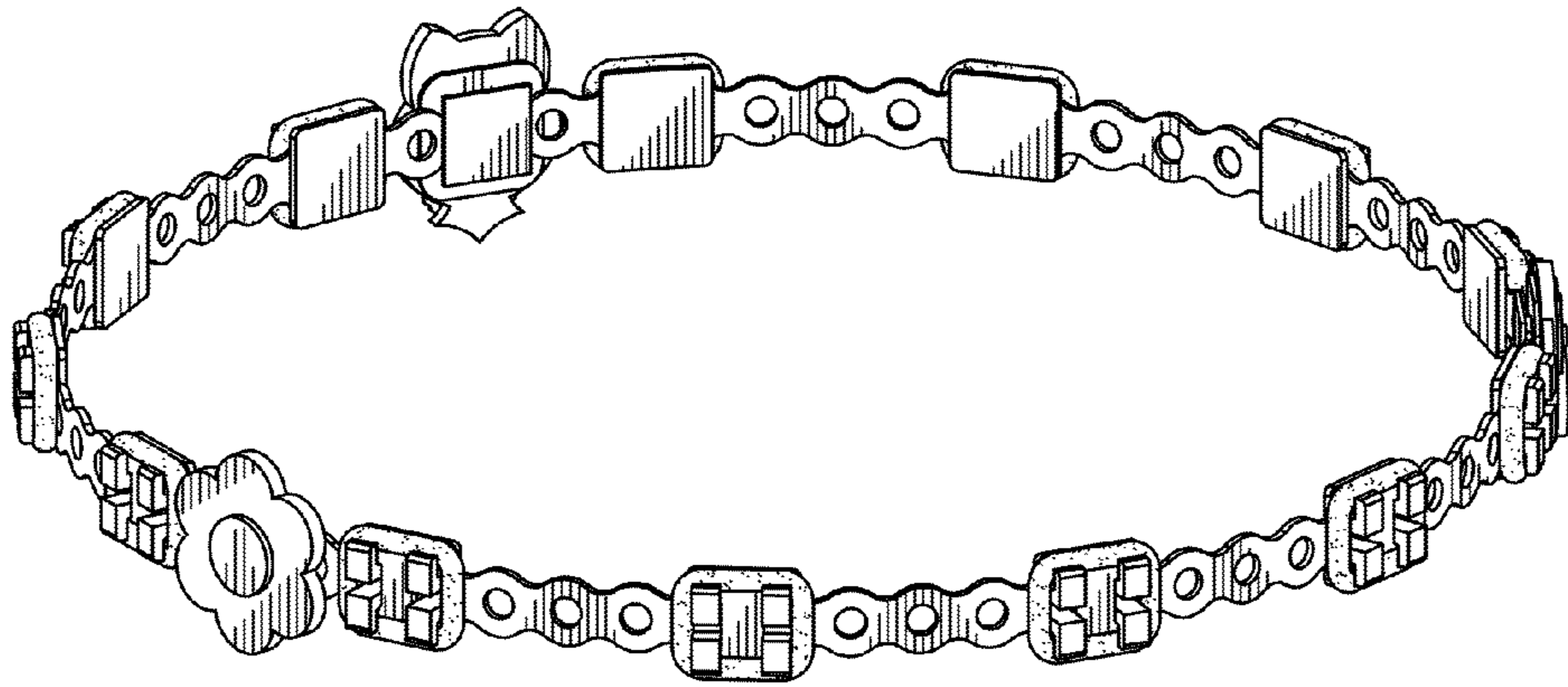


FIG. 1

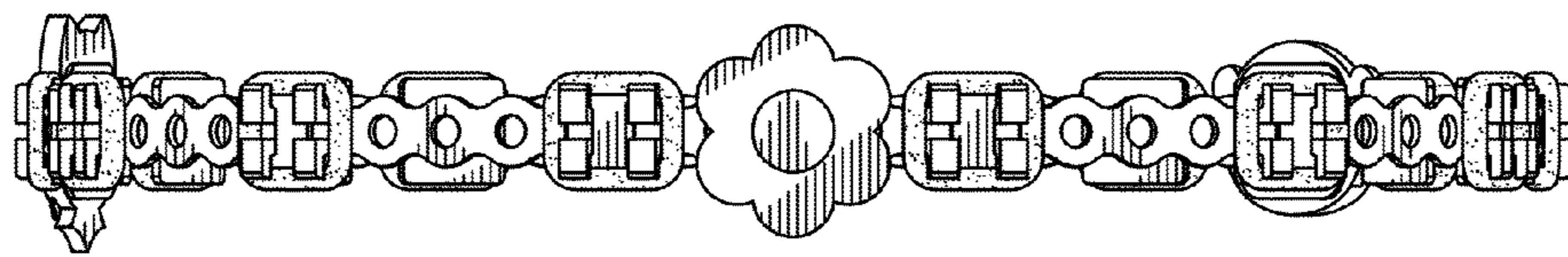


FIG. 2

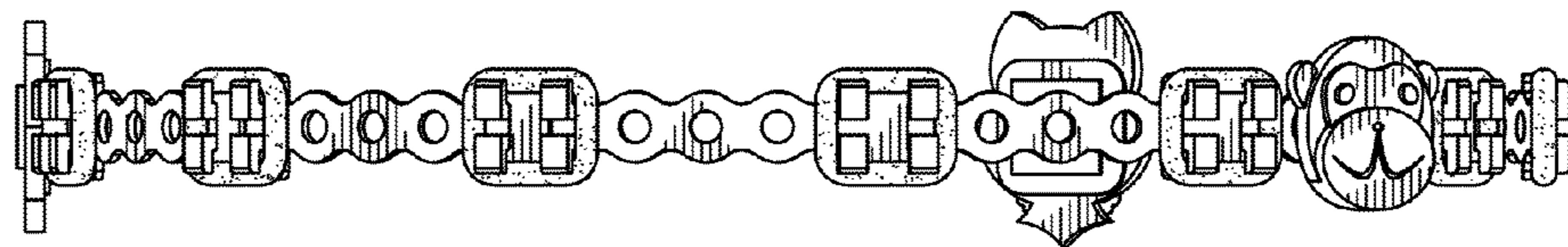


FIG. 4

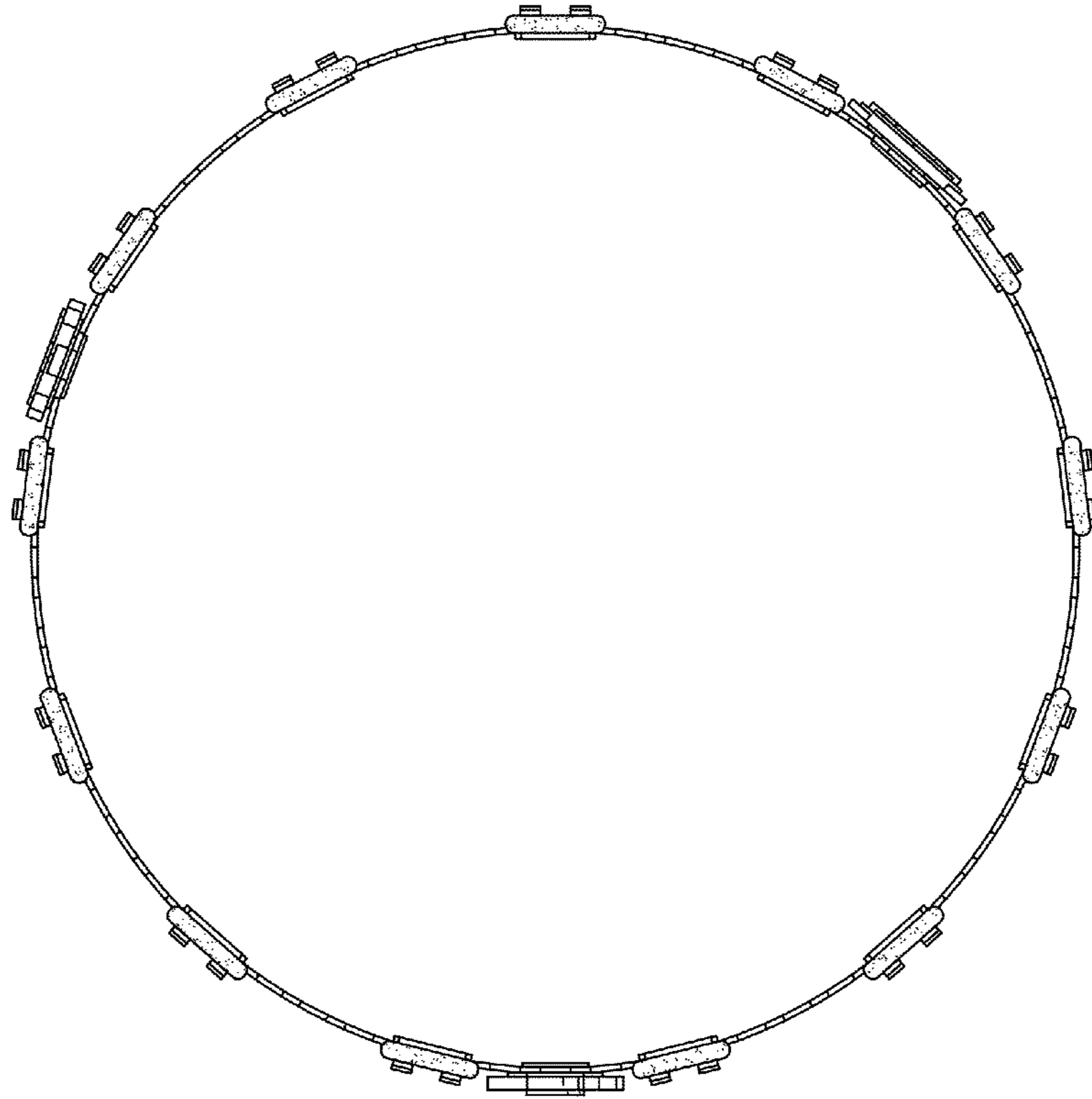


FIG. 3

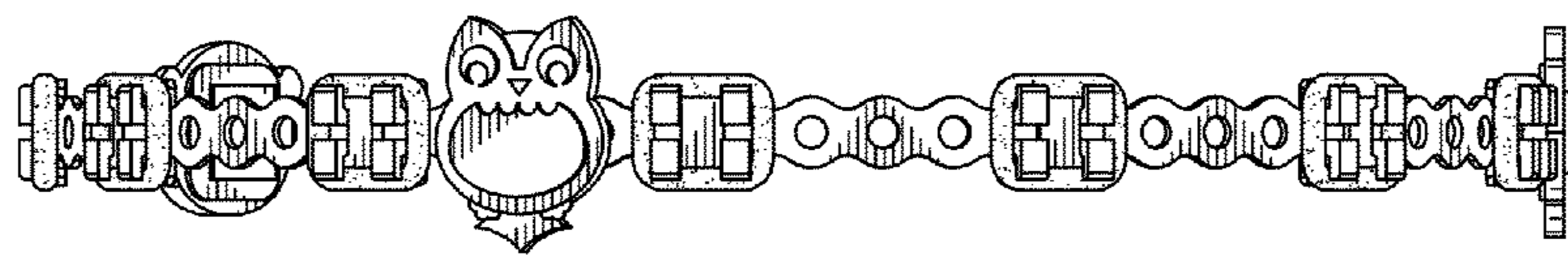


FIG. 5

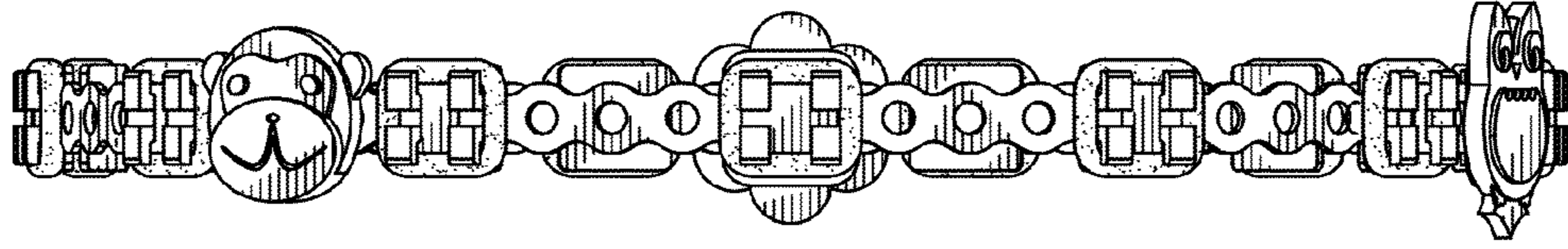


FIG. 6

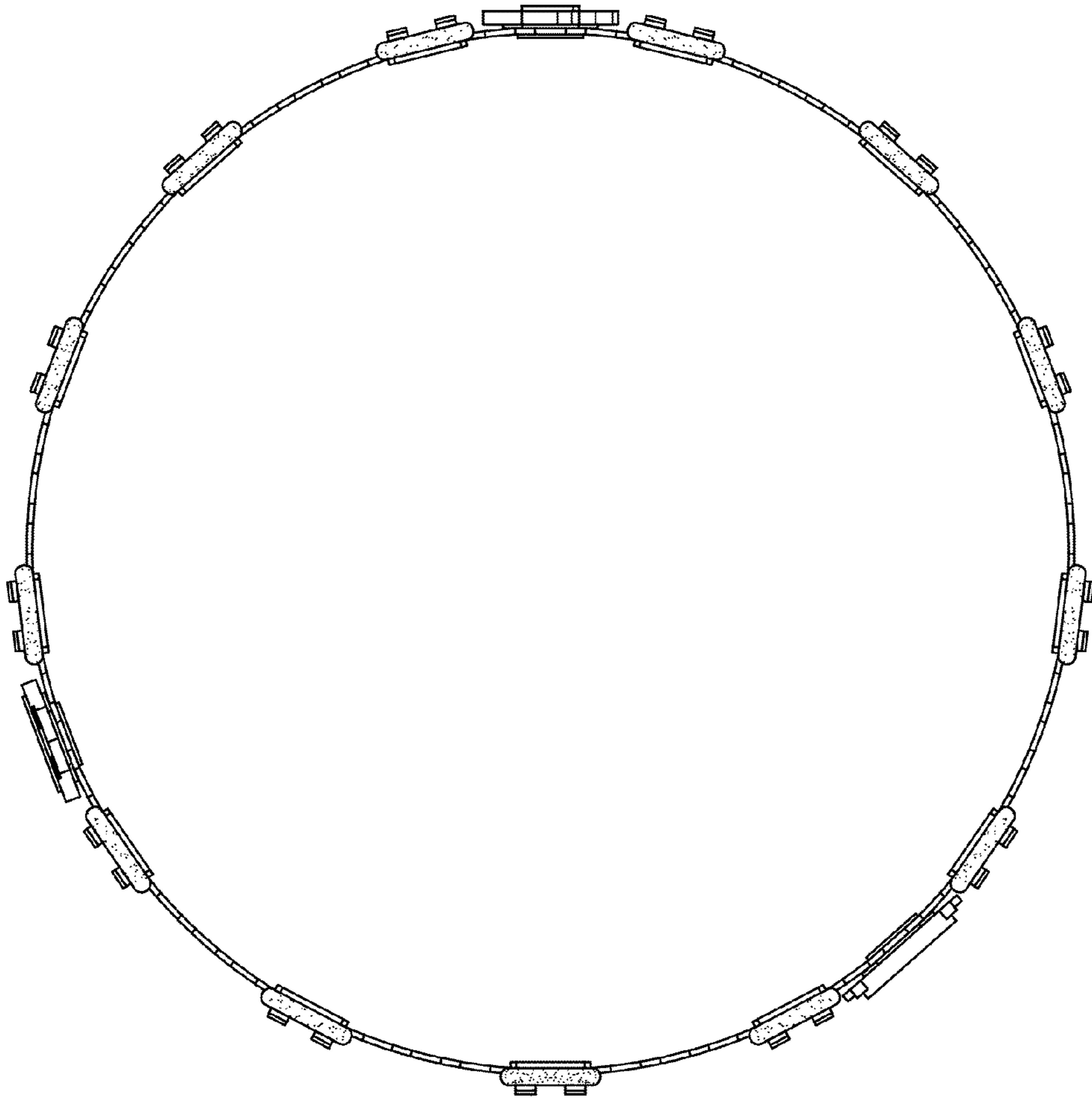
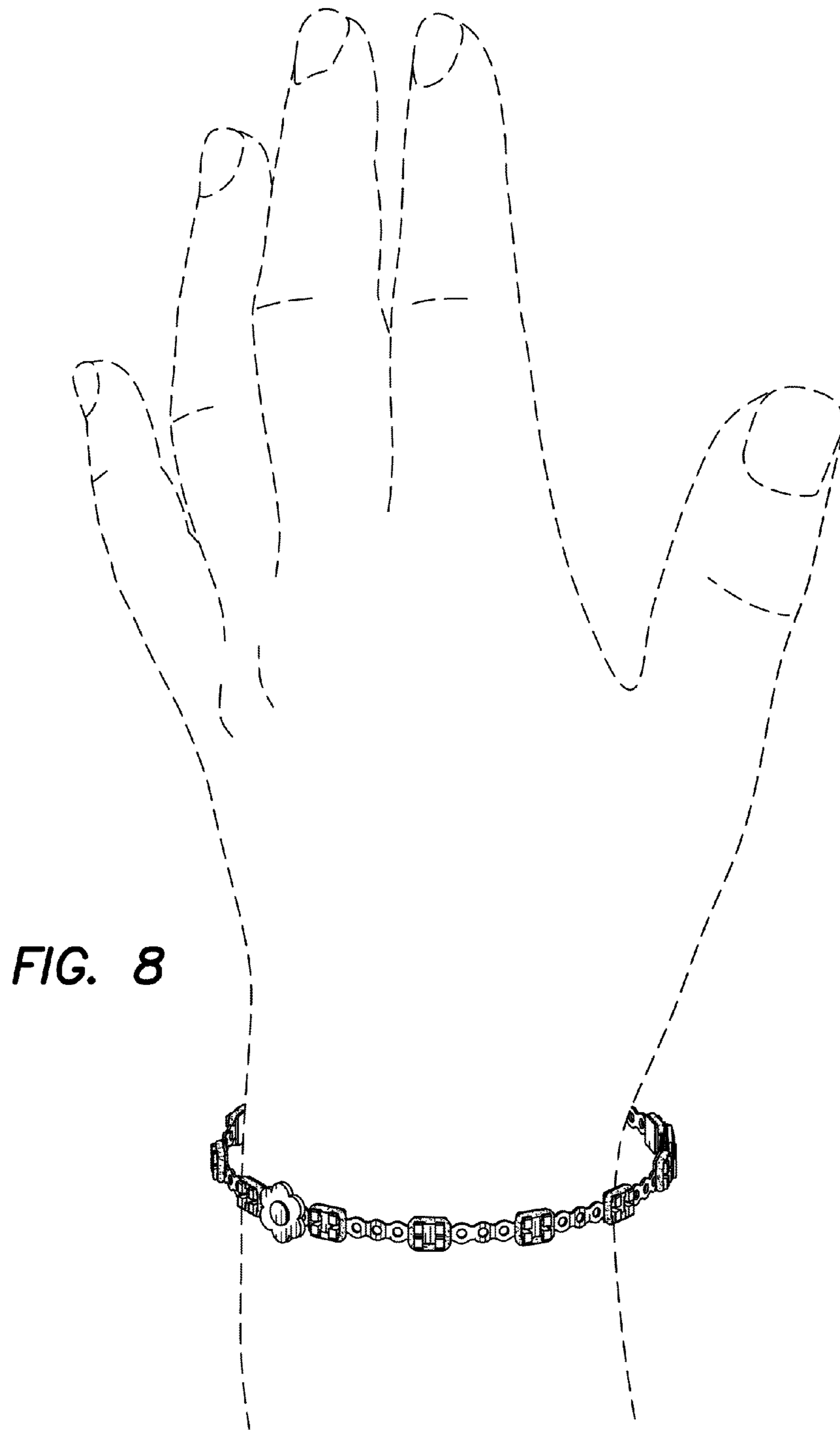


FIG. 7



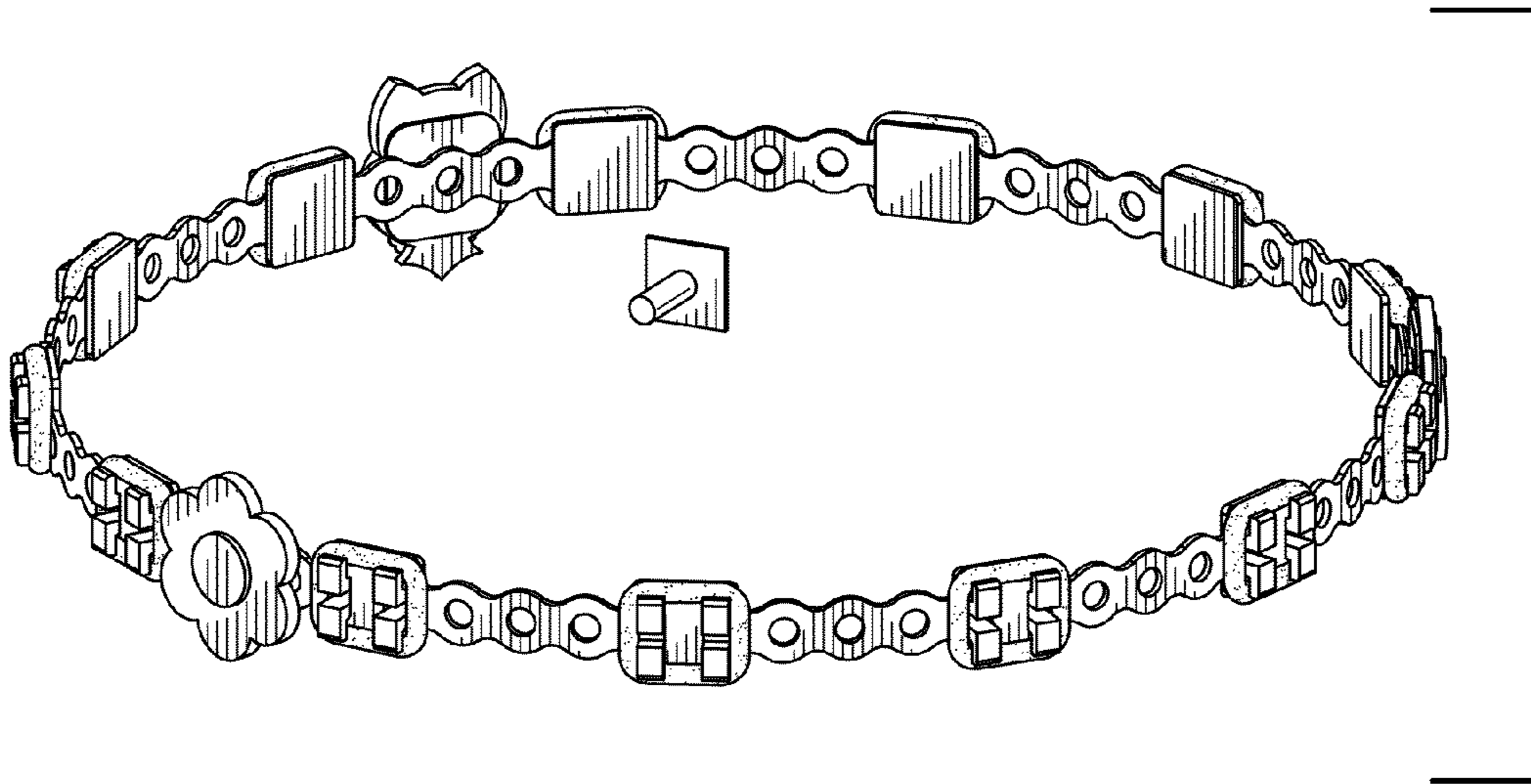


FIG. 9