



US00D711754S

(12) **United States Design Patent**
Kummer

(10) **Patent No.:** **US D711,754 S**
(45) **Date of Patent:** **** Aug. 26, 2014**

(54) **MEASURING INSTRUMENT**

(71) Applicant: **Parker Hannifin Manufacturing
Germany GmbH & Co. KG**, Bielefeld
(DE)

(72) Inventor: **Martina Kummer**, Bielefeld (DE)

(73) Assignee: **Parker Hannifin Manufacturing
Germany GmbH & Co. KG**, Bielefeld
(DE)

(**) Term: **14 Years**

(21) Appl. No.: **29/436,424**

(22) Filed: **Nov. 6, 2012**

(30) **Foreign Application Priority Data**

May 9, 2012 (DE) 002039206-0001

(51) **LOC (10) Cl.** **10-04**

(52) **U.S. Cl.**
USPC **D10/78**

(58) **Field of Classification Search**
USPC D10/78; 324/66, 67, 158 P, 539-542,
324/72.5, 556, 133, 149, 503, 543, 555, 72,
324/754, 115, 141, 114, 145, 156, 508;
379/21, 60, 66, 96, 106.01-106.11;
340/635, 687, 654; 73/866.5
See application file for complete search history.

(56) **References Cited**

U.S. PATENT DOCUMENTS

D368,667 S * 4/1996 Siemon et al. D10/78
D443,538 S 6/2001 Wrisley et al.
D444,085 S 6/2001 Wrisley et al.
D474,413 S 5/2003 Hoofnagle et al.
D515,951 S 2/2006 Clark
D518,394 S 4/2006 Lipscomb et al.
D543,878 S 6/2007 Castillo et al.

D553,029 S 10/2007 Chang
D570,716 S 6/2008 Gerold
D572,615 S 7/2008 Gerold
D579,361 S 10/2008 Wen
D649,893 S * 12/2011 Beeke D10/78
D692,329 S * 10/2013 Burkandt et al. D10/70
D692,330 S * 10/2013 Burkandt et al. D10/70

OTHER PUBLICATIONS

Parker Hannifin GmbH, Bielefeld Germany, European Registered Community Design Patent No. 001691650-0002, entitled Measuring Apparatus, registered Jul. 4, 2010.

Parker Hannifin GmbH, Bielefeld Germany, European Registered Community Design Patent No. 001691650-0003, entitled Measuring Apparatus, registered Jul. 4, 2010.

Parker Hannifin GmbH, Bielefeld Germany, European Registered Community Design Patent No. 001691650-0004, entitled Measuring Apparatus, registered Jul. 4, 2010.

* cited by examiner

Primary Examiner — Antonio D Davis

(74) *Attorney, Agent, or Firm* — John A. Molnar, Jr.

(57) **CLAIM**

The ornamental design for a measuring instrument, as shown and described.

DESCRIPTION

FIG. 1 is a front view of a measuring instrument showing my design;

FIG. 2 is a left side view thereof;

FIG. 3 is a top view thereof; and,

FIG. 4 is a rear view thereof.

The right side and bottom views of the instrument not shown in the drawings form no part of the claimed design.

The word "Parker" forming part of the claimed design is a registered trademark of Parker Intangibles LLC. The word "Serviceman Plus" forming part of the claimed design is a trademark of Parker Hannifin Mfg. Germ. GmbH & Co. KG.

1 Claim, 4 Drawing Sheets

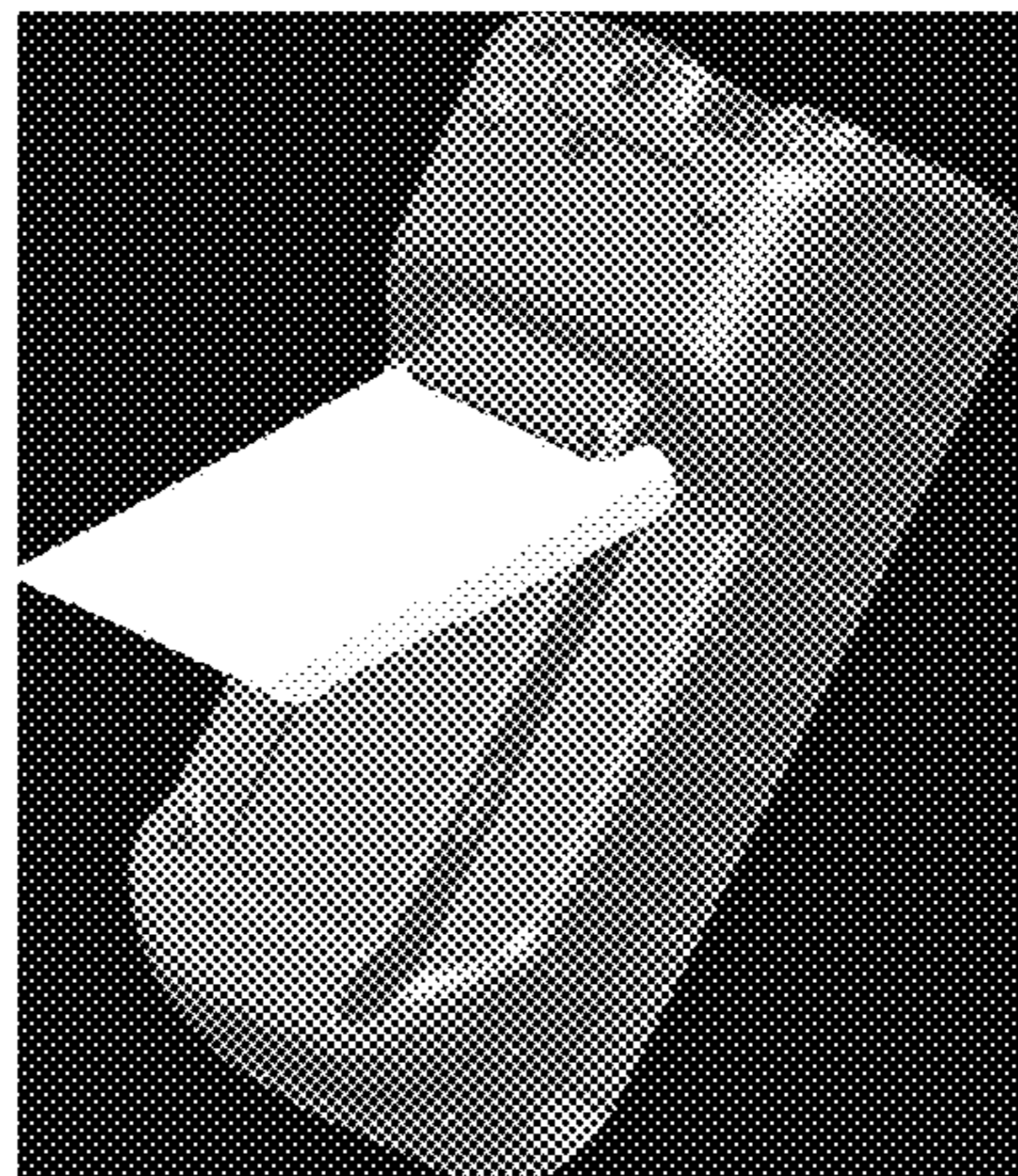
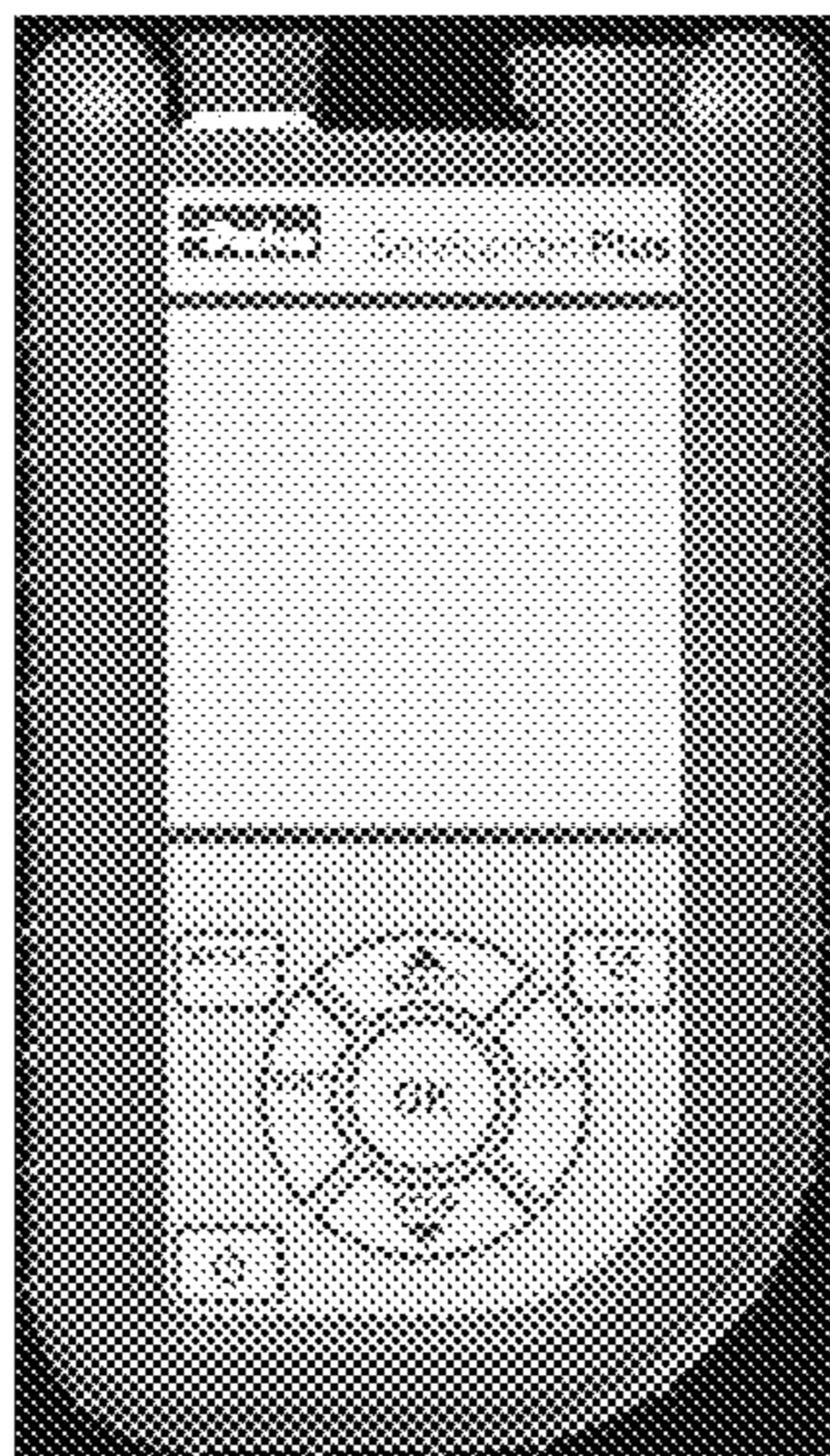




Fig. 1

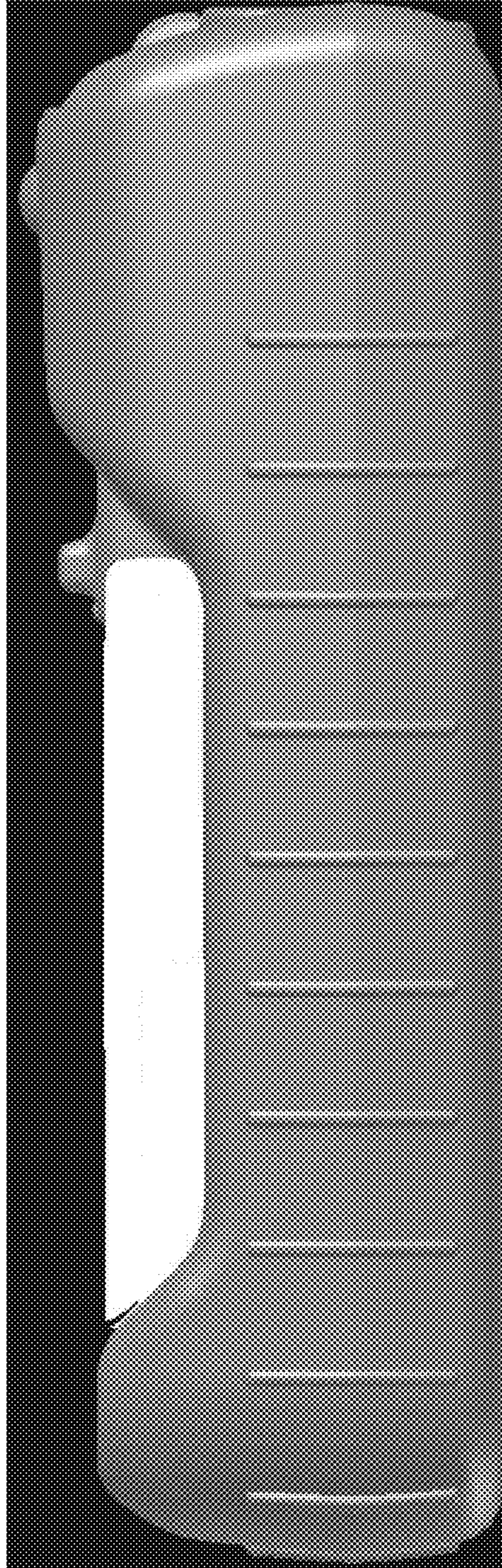


Fig. 2

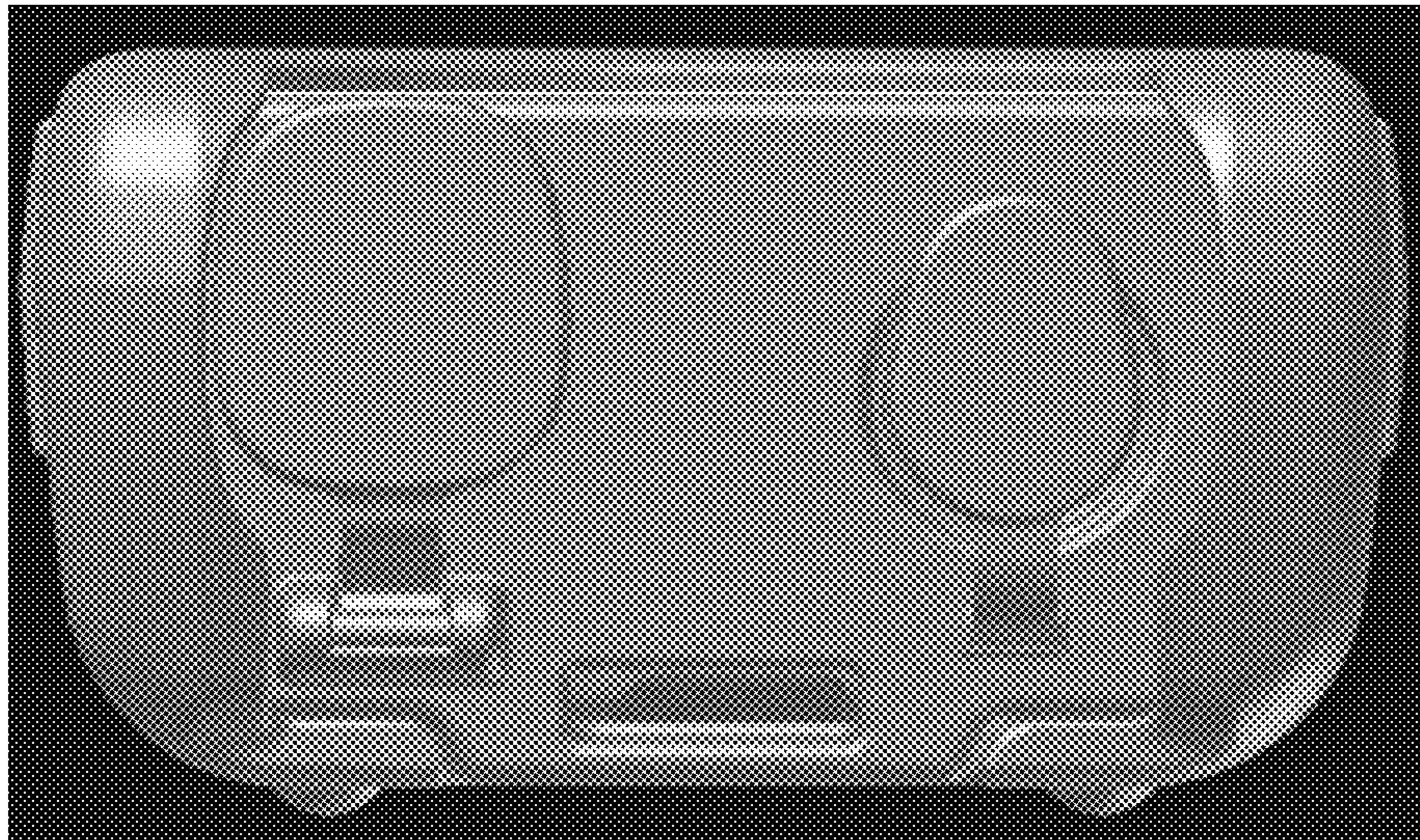


Fig. 3

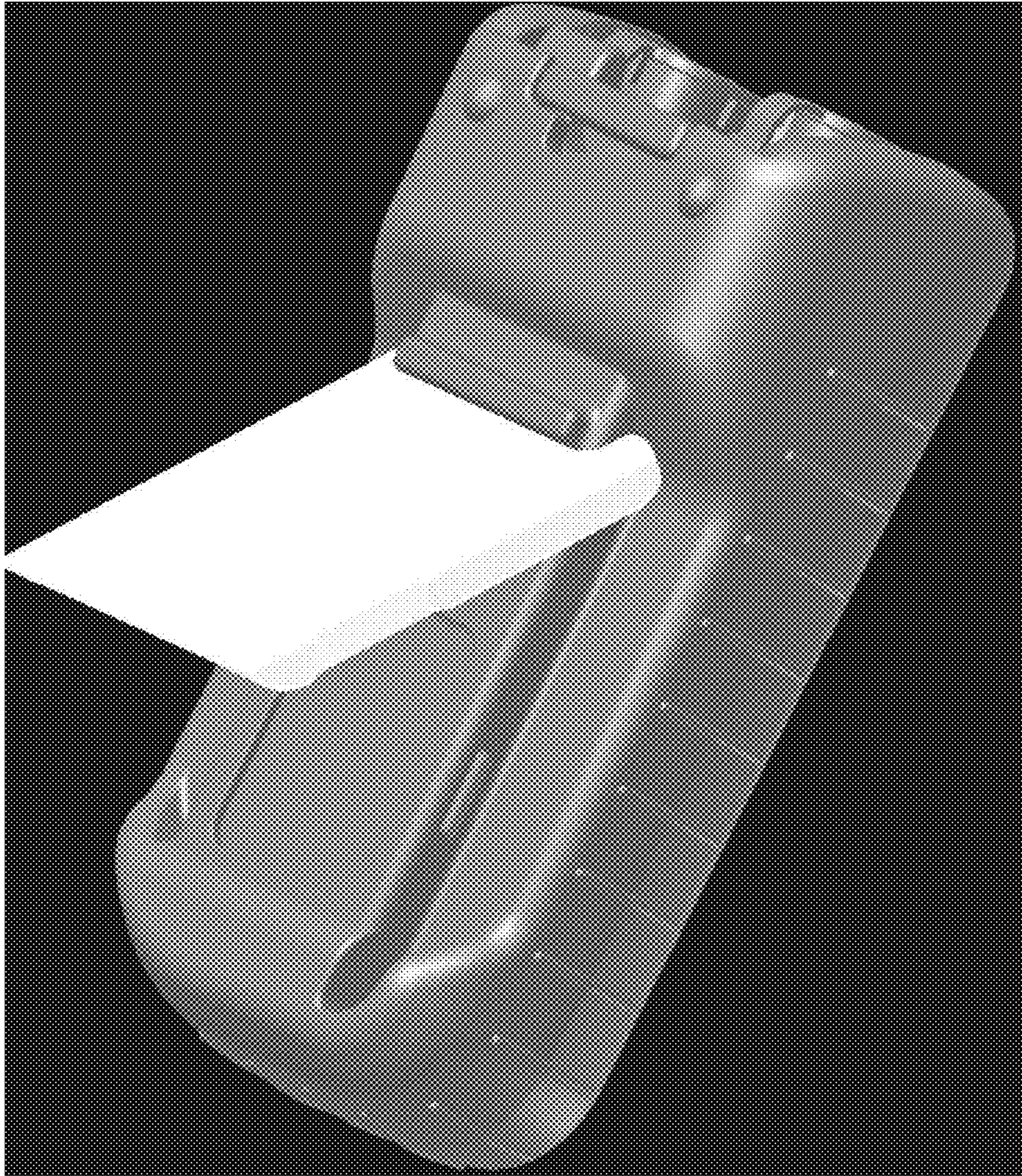


Fig. 4