



US00D711753S

(12) **United States Design Patent**  
**Moreau et al.**

(10) **Patent No.:** **US D711,753 S**

(45) **Date of Patent:** **\*\* Aug. 26, 2014**

(54) **TAPE MEASURE HOLDER**

D334,286 S \* 3/1993 Keene ..... D3/228  
D676,234 S \* 2/2013 Moreau et al. .... D3/228

(71) Applicant: **Ty-Flot, Inc.**, Manchester, NH (US)

\* cited by examiner

(72) Inventors: **Darrell A. Moreau**, Manchester, NH (US); **Andre W. Moreau**, Spring Hill, FL (US); **Barbara Haberman**, Goffstown, NH (US)

*Primary Examiner* — Antoine D Davis

(74) *Attorney, Agent, or Firm* — Robert D. Deleault, Esq.; Mesmer & Deleault, PLLC

(73) Assignee: **Ty-Flot, Inc.**, Manchester, NH (US)

(57) **CLAIM**

The ornamental design for a tape measure holder, as shown and described.

(\*\*) Term: **14 Years**

(21) Appl. No.: **29/452,484**

**DESCRIPTION**

(22) Filed: **Apr. 17, 2013**

(51) **LOC (10) Cl.** ..... **10-04**

(52) **U.S. Cl.**  
USPC ..... **D10/74; D3/228; D3/303**

(58) **Field of Classification Search**  
CPC .... B65D 75/563; B65D 33/10; B65D 33/065; A45C 3/04  
USPC ..... D10/74; D3/215, 226, 228, 239, 240, D3/315; 206/230, 372-383, 541; 220/915.1; 229/117.23; 224/218, 230, 224/232, 234, 236, 904; 383/6-12, 25-31, 383/33-34.1, 100, 121.1  
See application file for complete search history.

FIG. 1 is a front perspective view of a tape measure holder showing our new design.

FIG. 2 is a rear perspective view thereof.

FIG. 3 is a front plan view thereof.

FIG. 4 is a rear plan view thereof.

FIG. 5 is a right side view thereof.

FIG. 6 is a left side view thereof.

FIG. 7 is a top plan view thereof.

FIG. 8 is a bottom plan view thereof.

FIG. 9 is a front perspective view thereof with the top in an open position; and,

FIG. 10 is a front perspective view thereof with a tape measure within the tape measure holder.

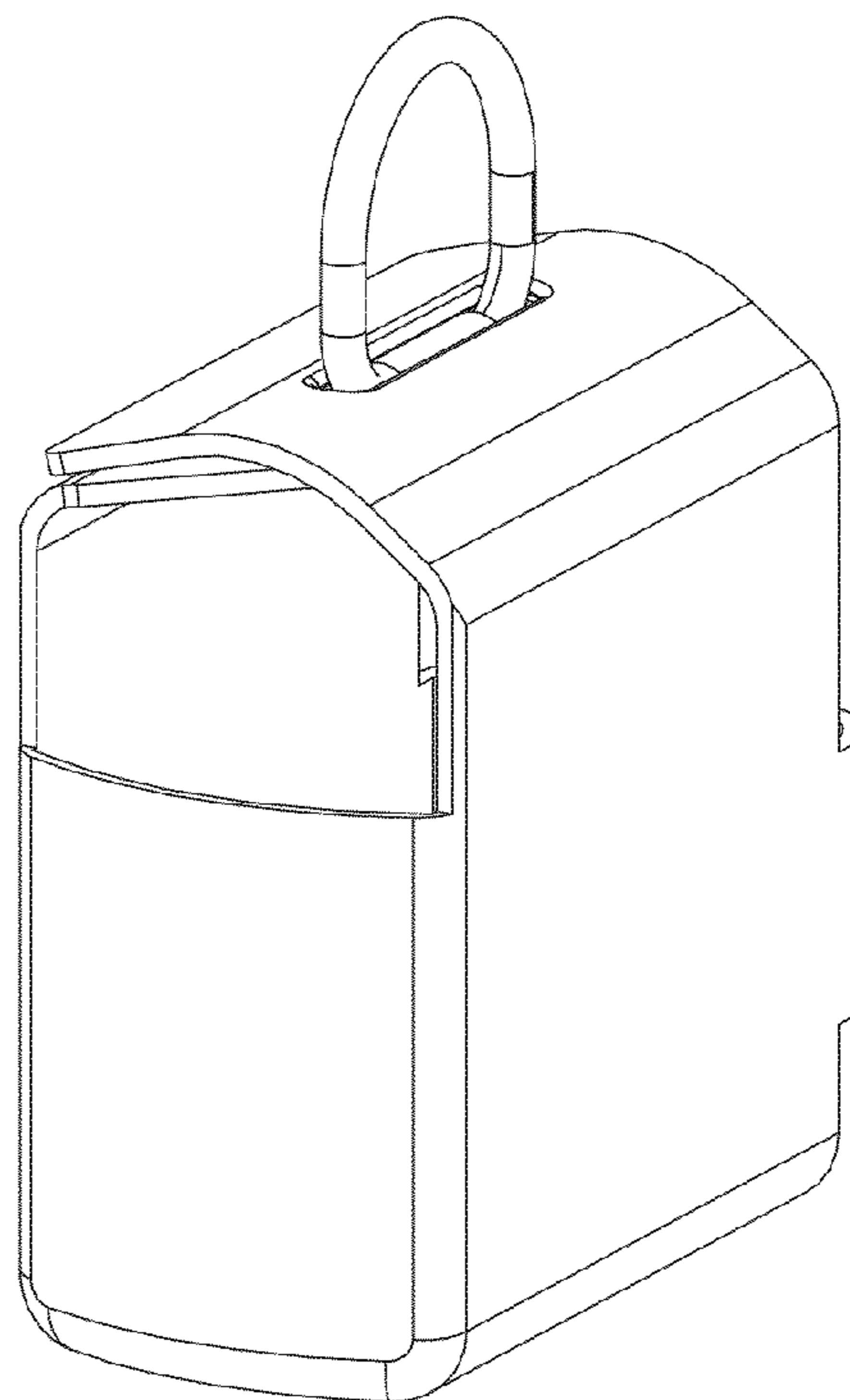
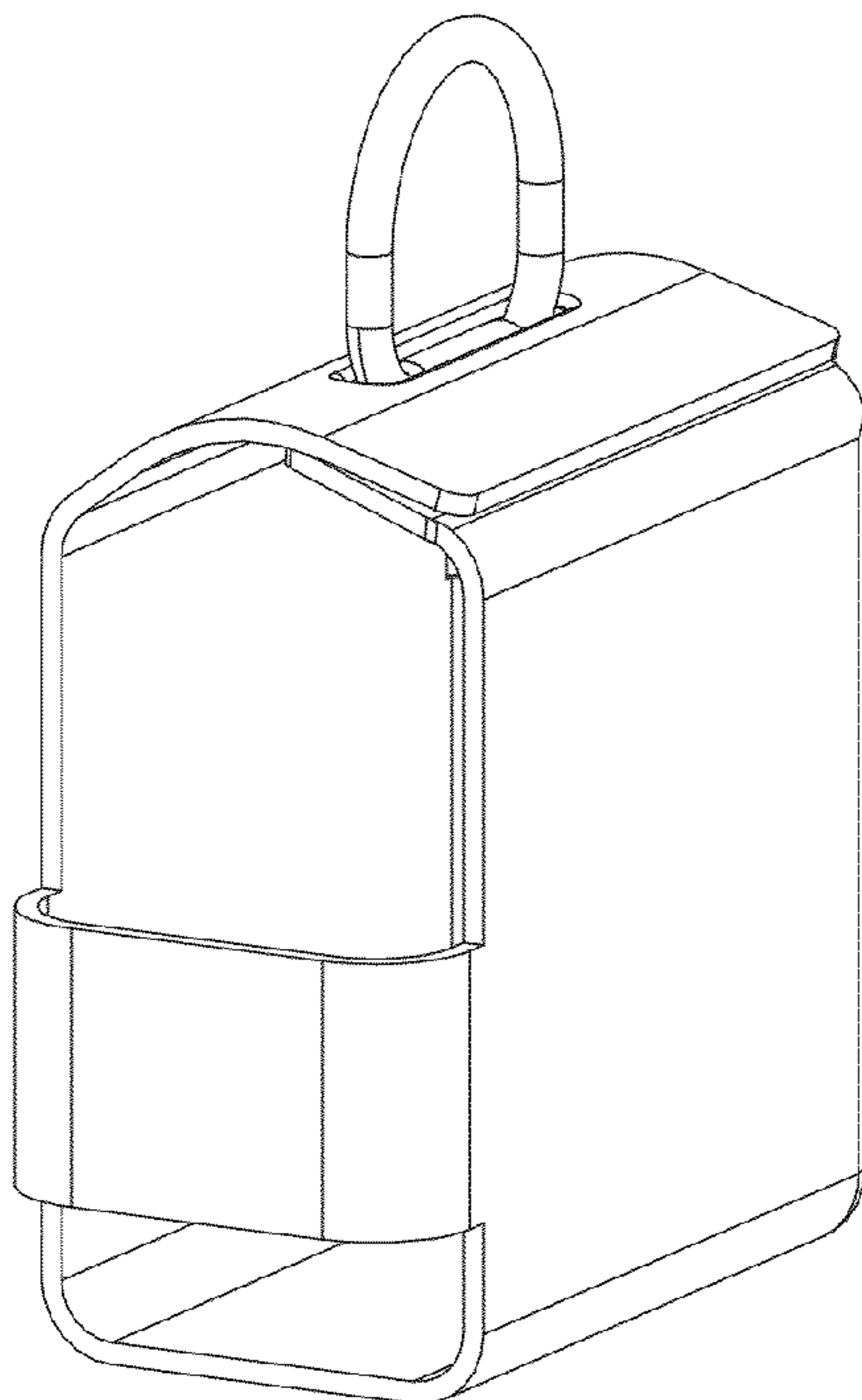
The broken line showing of a tape measure in FIG. 10 is included for the purpose of illustrating an example use of the claimed tape measure holder and forms no part of the claimed design.

(56) **References Cited**

**U.S. PATENT DOCUMENTS**

4,573,205 A \* 2/1986 Nash ..... 380/252  
4,874,255 A \* 10/1989 Ball et al. .... 383/8

**1 Claim, 3 Drawing Sheets**



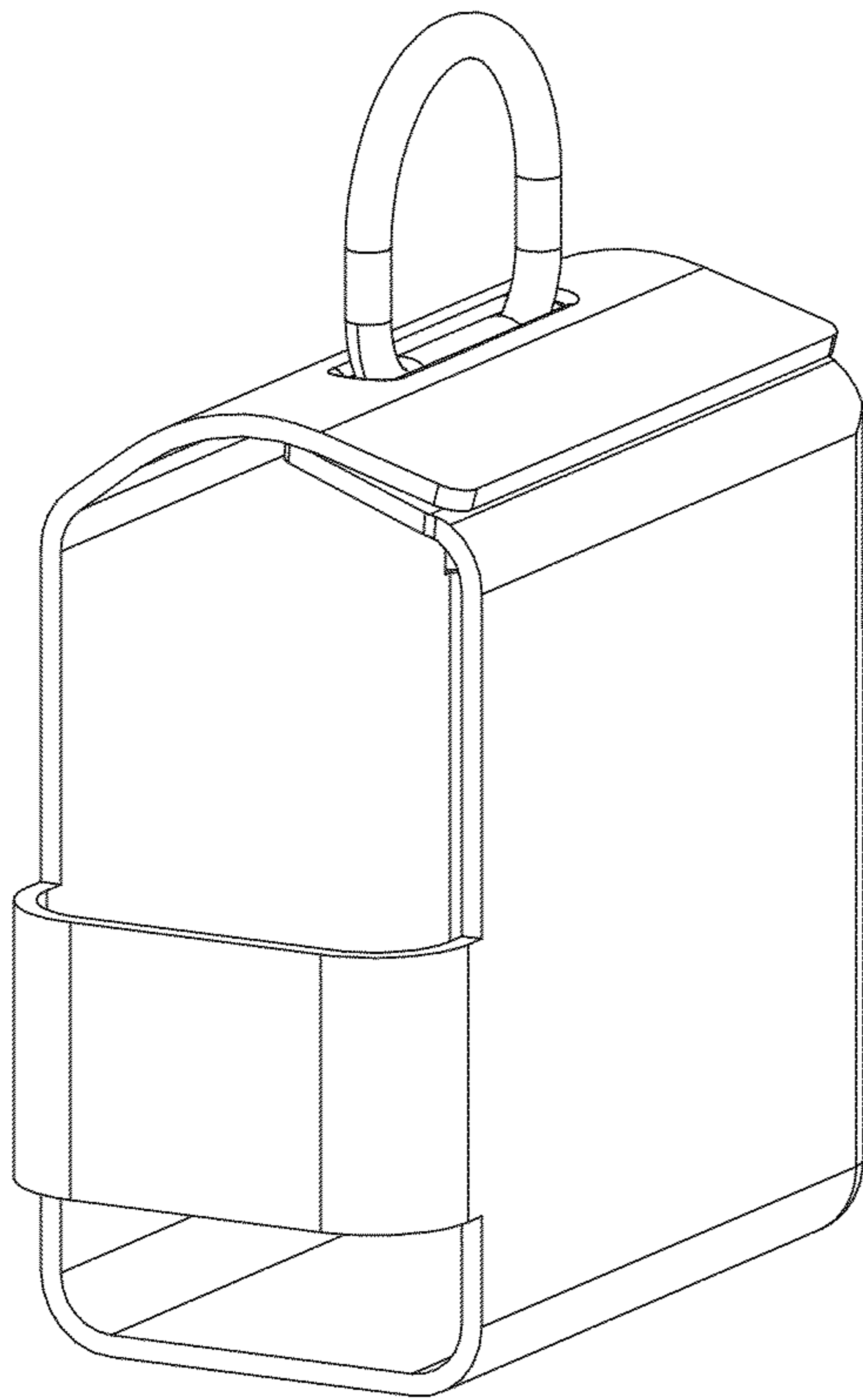


Fig. 1

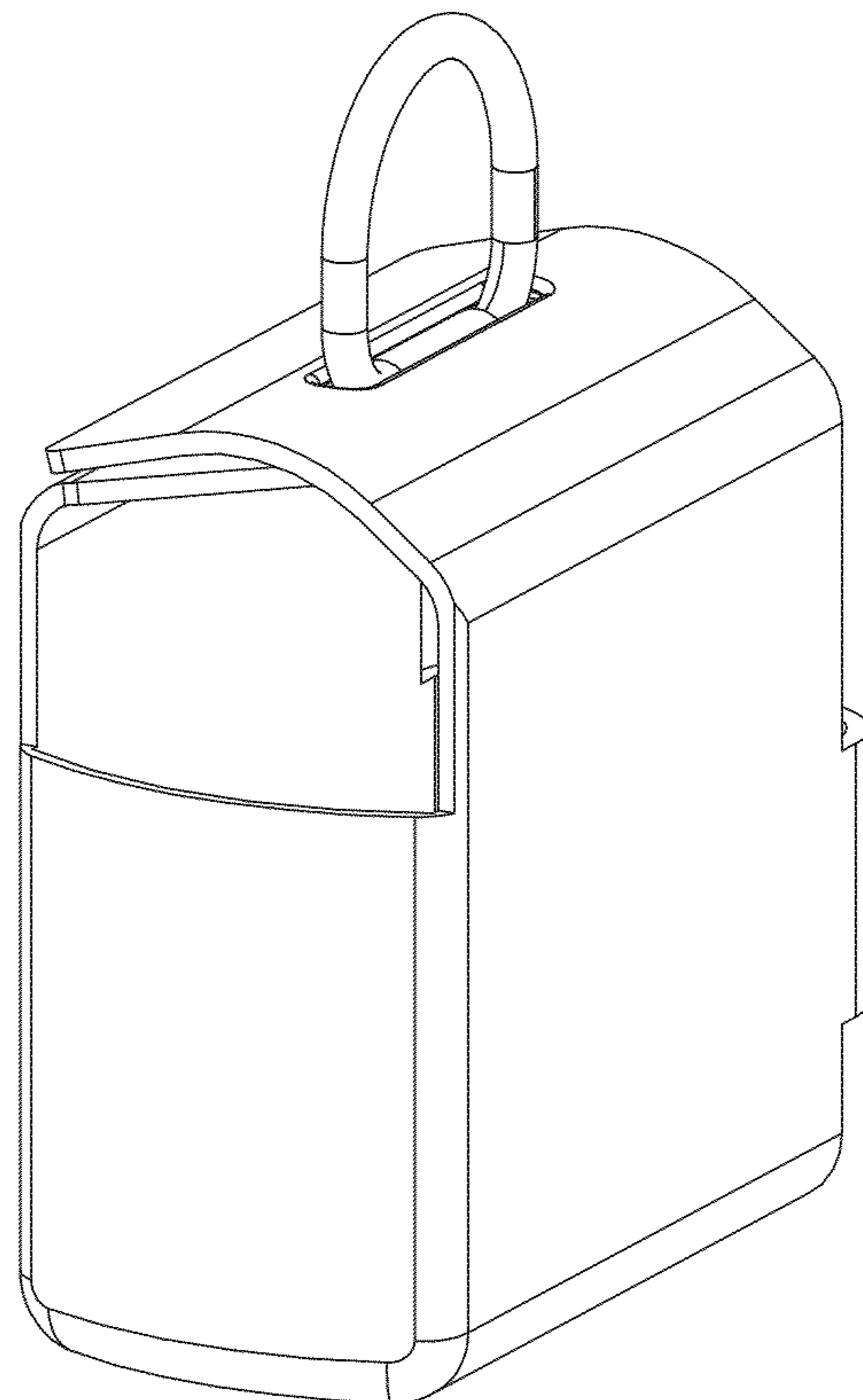


Fig. 2

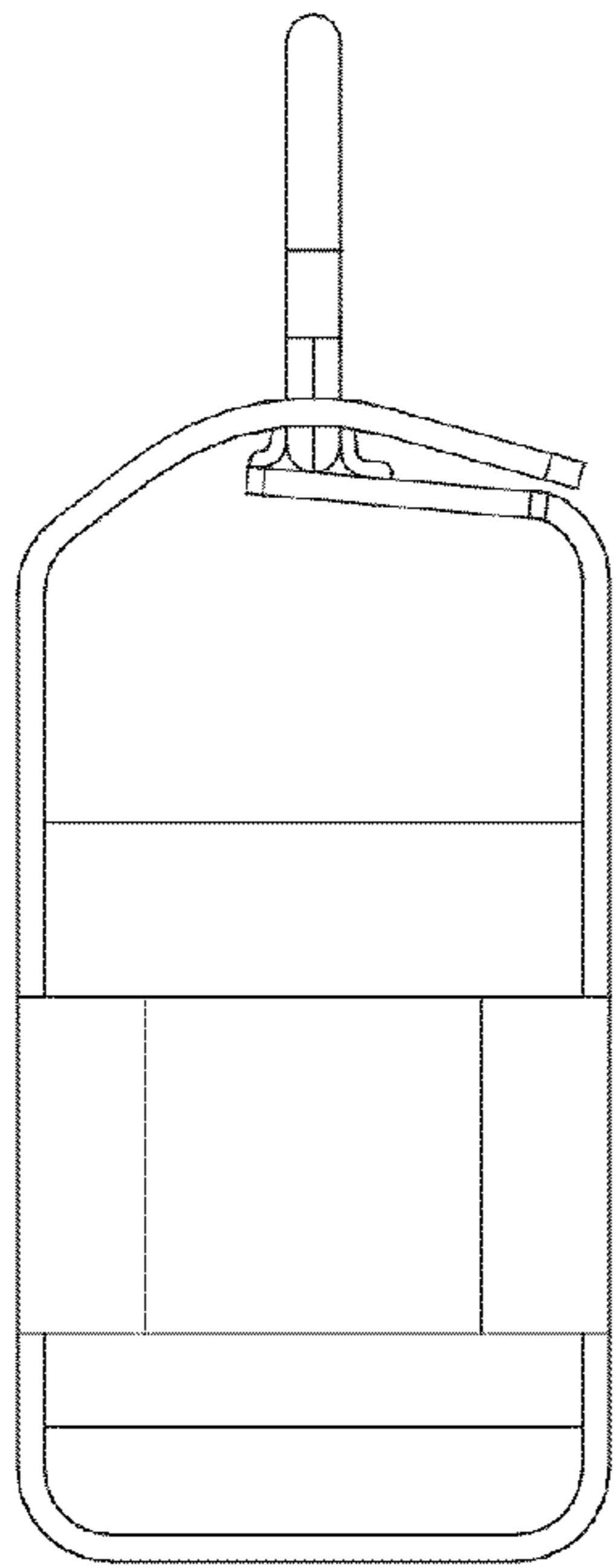


Fig. 3

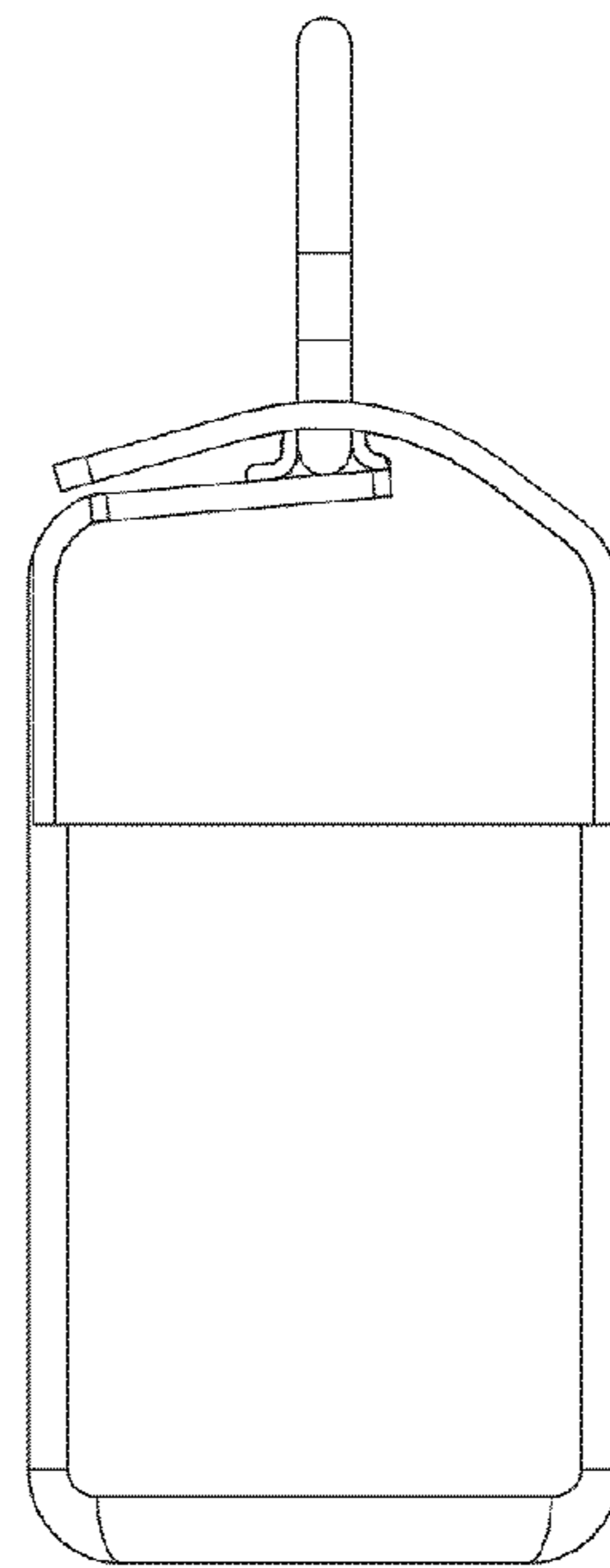


Fig. 4

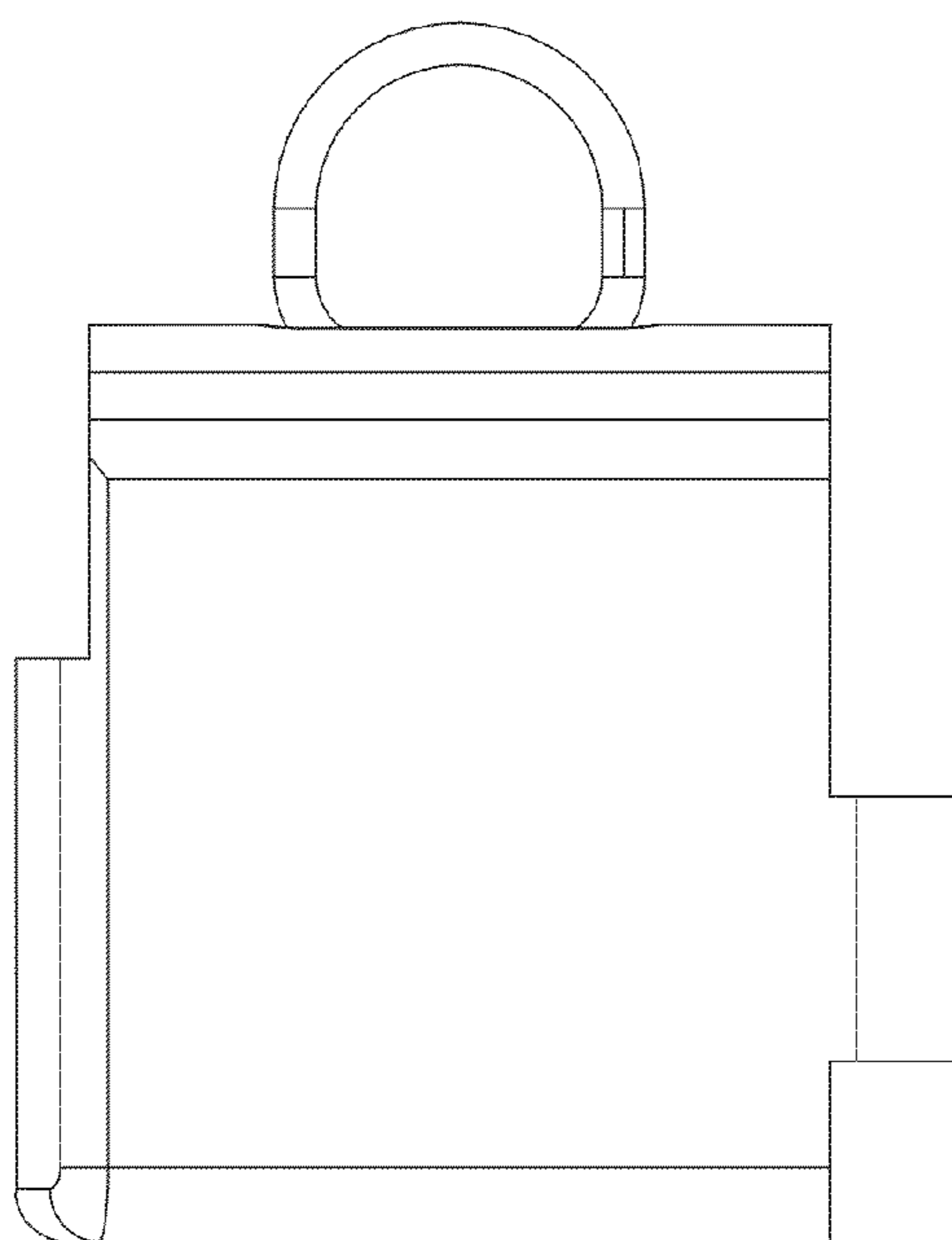


Fig. 5

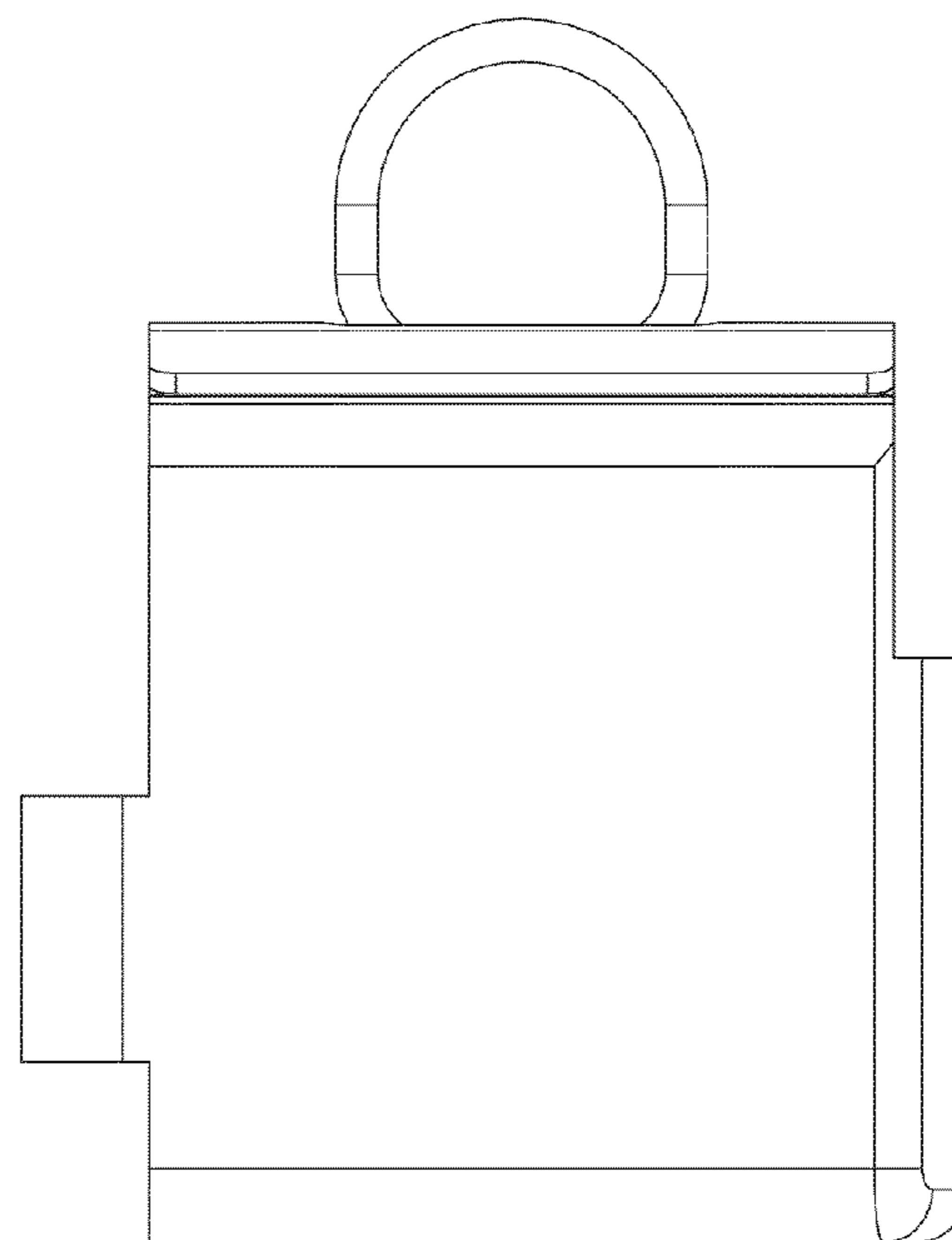


Fig. 6

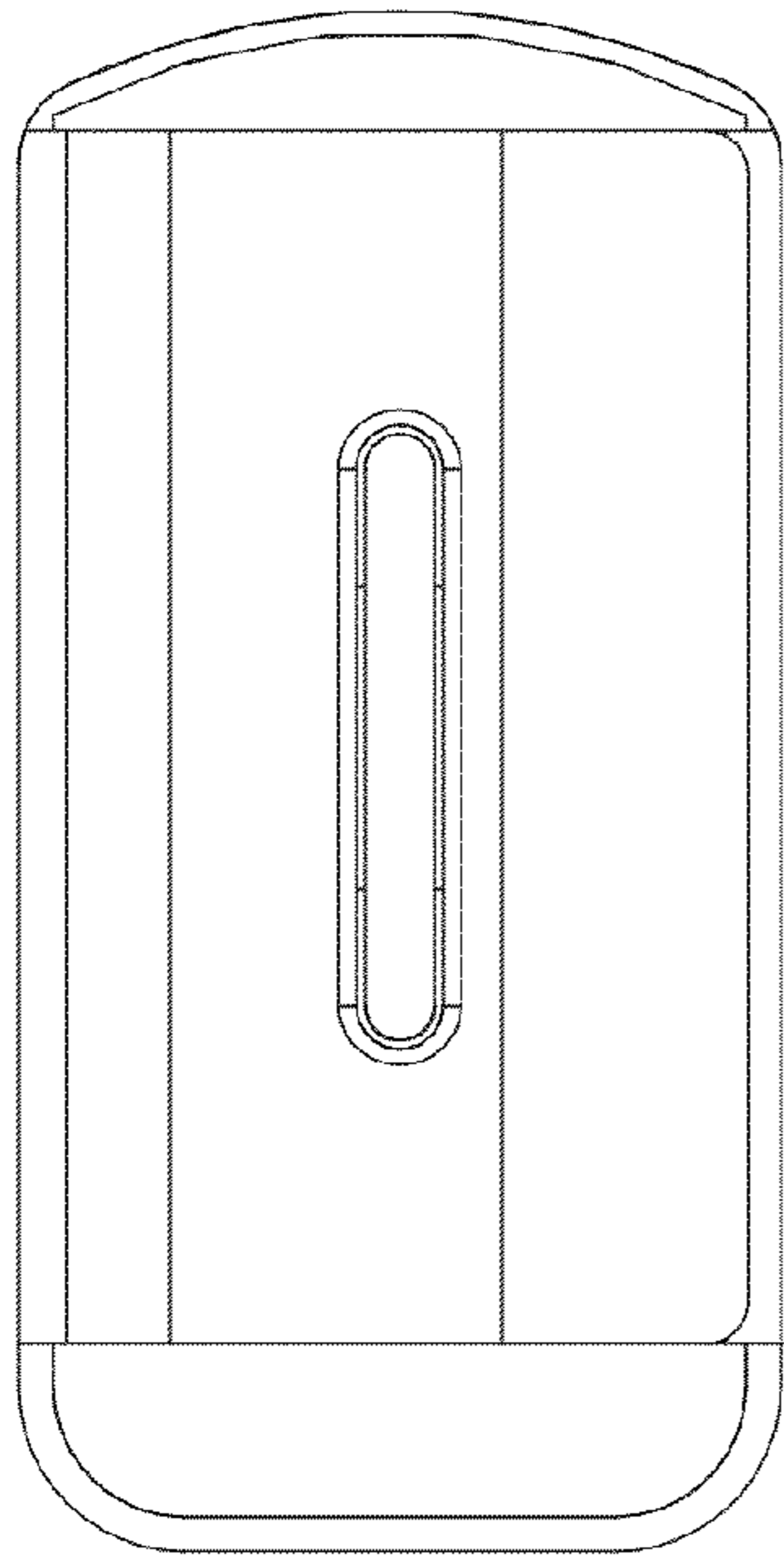


Fig. 7

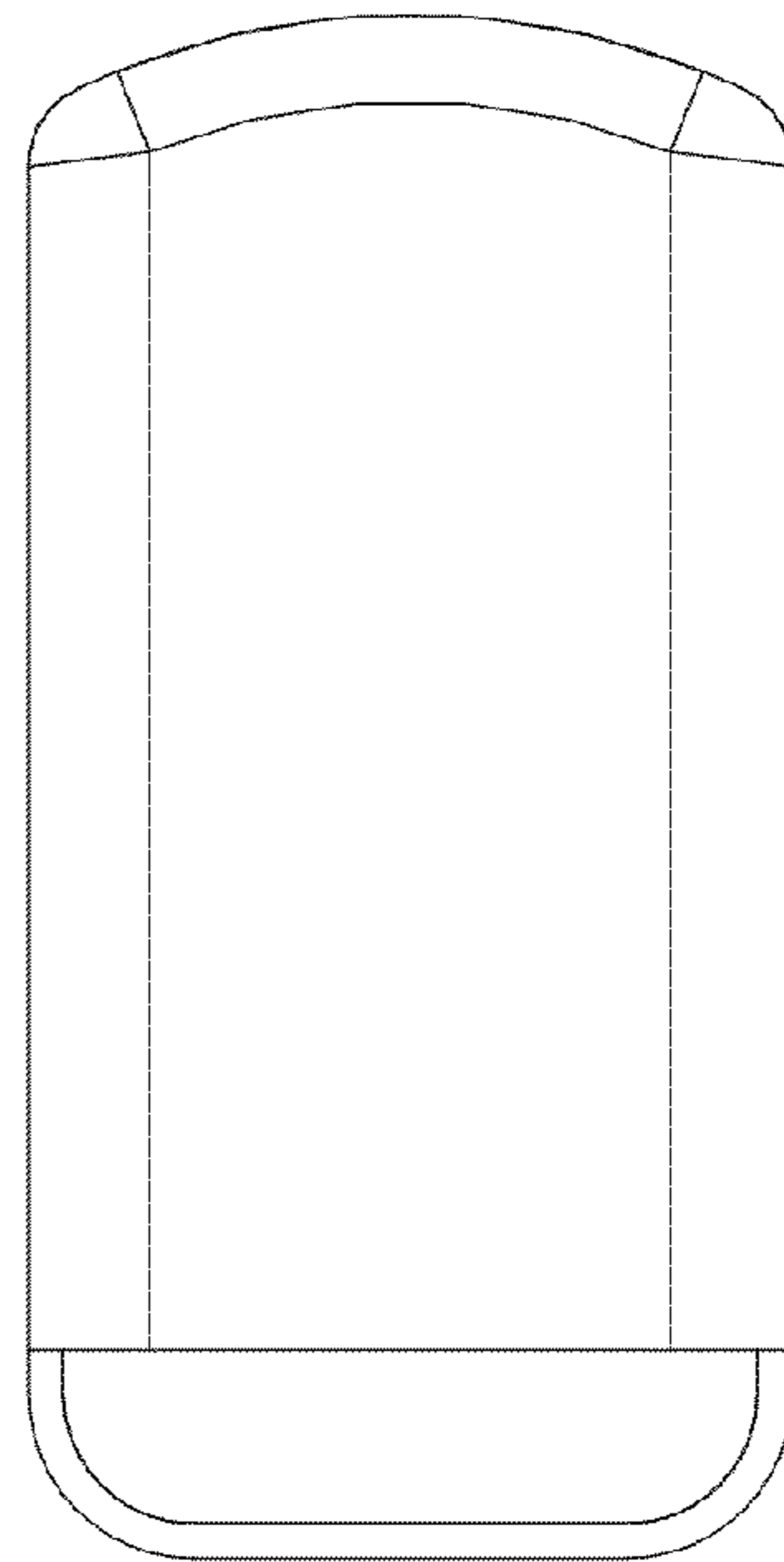


Fig. 8

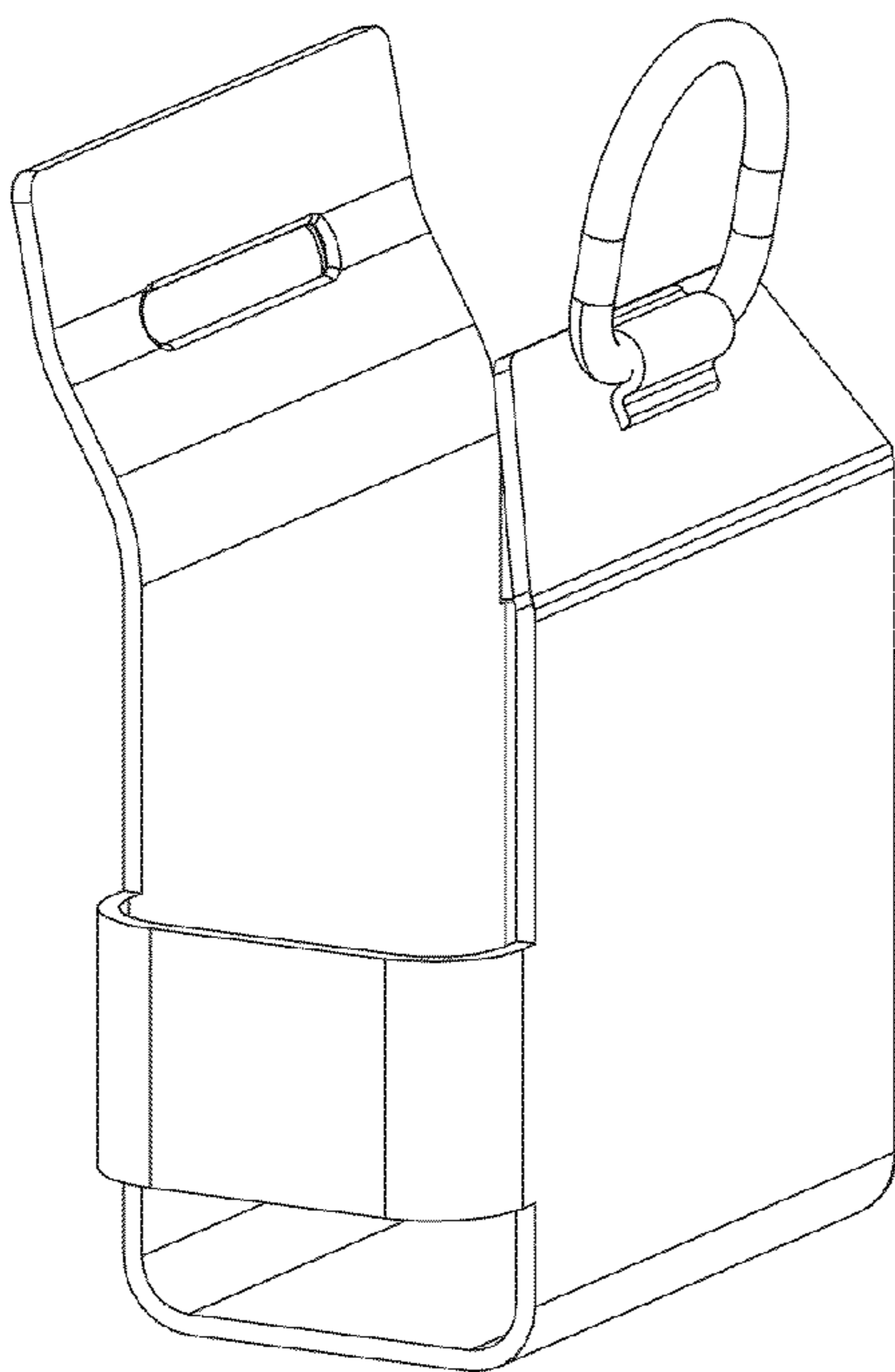


Fig. 9

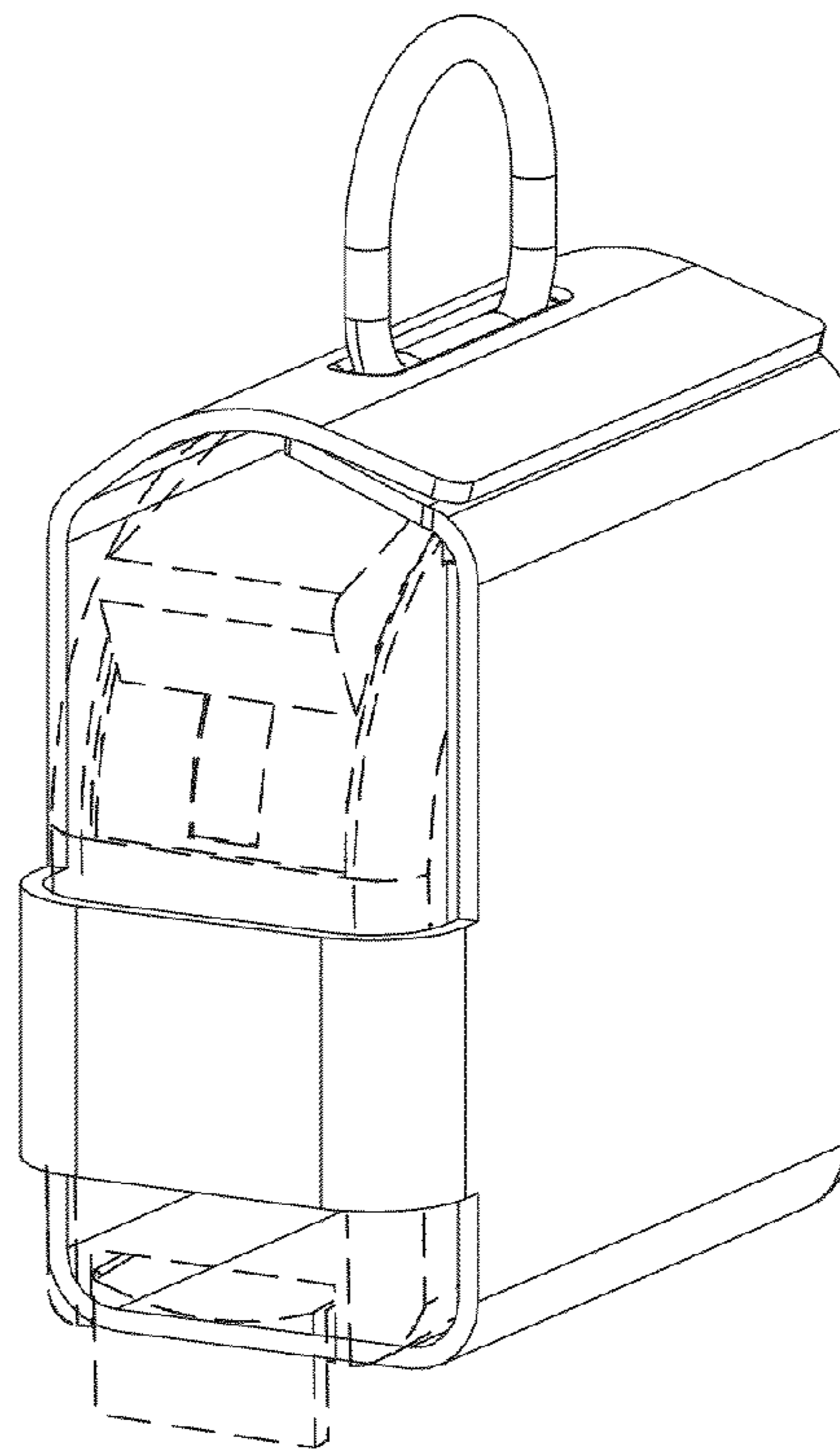


Fig. 10