



US00D711749S

(12) **United States Design Patent**
Kim et al.

(10) **Patent No.:** **US D711,749 S**

(45) **Date of Patent:** **** Aug. 26, 2014**

(54) **DEVELOPER CONTAINER FOR PRINTER CARTRIDGE**

(71) Applicant: **Sindoh Co., Ltd.**, Seoul (KR)

(72) Inventors: **Wan Gyu Kim**, Seoul (KR); **Sang Doo Choi**, Seoul (KR)

(73) Assignee: **Sindoh Co., Ltd.** (KR)

(**) Term: **14 Years**

(21) Appl. No.: **29/468,792**

(22) Filed: **Oct. 3, 2013**

(30) **Foreign Application Priority Data**

Apr. 24, 2013 (KR) 30-2013-0021577

(51) **LOC (10) Cl.** **09-01**

(52) **U.S. Cl.**
USPC **D9/724**; D9/709; D18/56

(58) **Field of Classification Search**
USPC D18/12, 40, 43, 56; 360/132, 134;
399/260, 262; D9/702-710, 723-724,
D9/727, 732, 764, 523; D14/484; 347/86,
347/87; 222/215

See application file for complete search history.

(56) **References Cited**

U.S. PATENT DOCUMENTS

D272,251 S *	1/1984	Yoshihama	D18/43
D304,546 S *	11/1989	Cattach	D9/708
5,126,767 A *	6/1992	Asai	347/86
D341,157 S *	11/1993	Kitahara et al.	D18/56
D374,616 S *	10/1996	Smith	D9/703
5,691,755 A *	11/1997	Pawlowski et al.	347/86
D392,995 S *	3/1998	Sasaki	D18/56
D444,814 S *	7/2001	Hunt	D18/56
D451,542 S *	12/2001	Ishizawa et al.	D18/56

D452,144 S *	12/2001	Tedeschi et al.	D9/707
D513,417 S *	1/2006	Ishizawa et al.	D18/56
D523,899 S *	6/2006	Holland et al.	D18/56
D544,909 S *	6/2007	Muranaka	D18/56
D546,876 S *	7/2007	Muranaka	D18/56
D551,288 S *	9/2007	Muranaka	D18/56
D551,289 S *	9/2007	Otsuka et al.	D18/56
D570,405 S *	6/2008	Otsuka et al.	D18/56
D572,751 S *	7/2008	Morino	D18/56
7,488,059 B1 *	2/2009	Holland et al.	347/86
D594,752 S *	6/2009	Medema et al.	D9/707
D633,141 S *	2/2011	Deng	D18/56
D653,752 S *	2/2012	Pittet et al.	D24/118
D669,795 S *	10/2012	Larkin et al.	D9/707
D676,763 S *	2/2013	Kenmotsu et al.	D9/707
D688,139 S *	8/2013	Larkin et al.	D9/709
D695,133 S *	12/2013	Teman	D9/709

* cited by examiner

Primary Examiner — Cathy A MacCormac

(74) *Attorney, Agent, or Firm* — Cantor Colburn LLP

(57) **CLAIM**

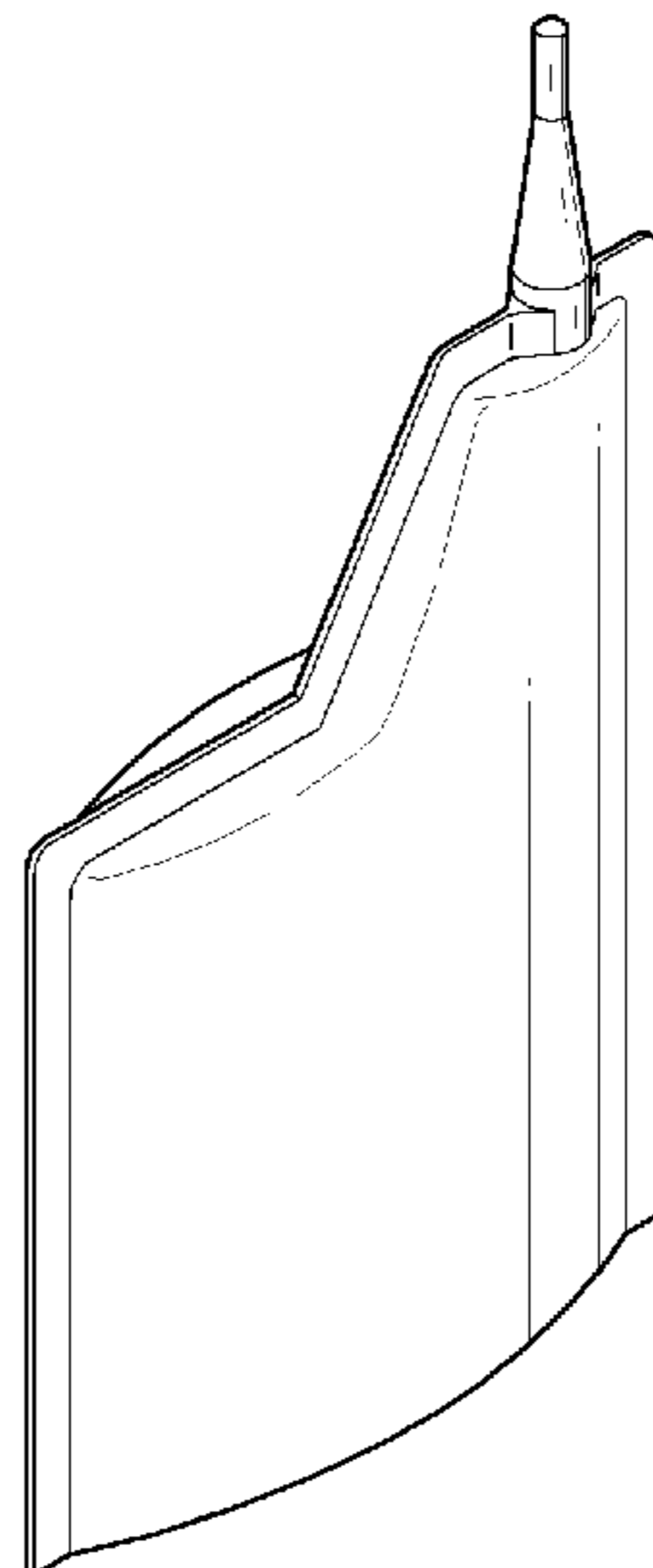
The ornamental design for a developer container for printer cartridge, as shown and described.

DESCRIPTION

FIG. 1 is a perspective view of a developer container for printer cartridge showing our new design; FIG. 2 is a front view thereof; FIG. 3 is a rear view thereof; FIG. 4 is a left side view thereof; FIG. 5 is a right side view thereof; FIG. 6 is a top plan view thereof; FIG. 7 is a bottom plan view thereof; and, FIG. 8 is another perspective view thereof showing the container in use.

The broken lines are for illustration only and form no part of the claimed design.

1 Claim, 7 Drawing Sheets



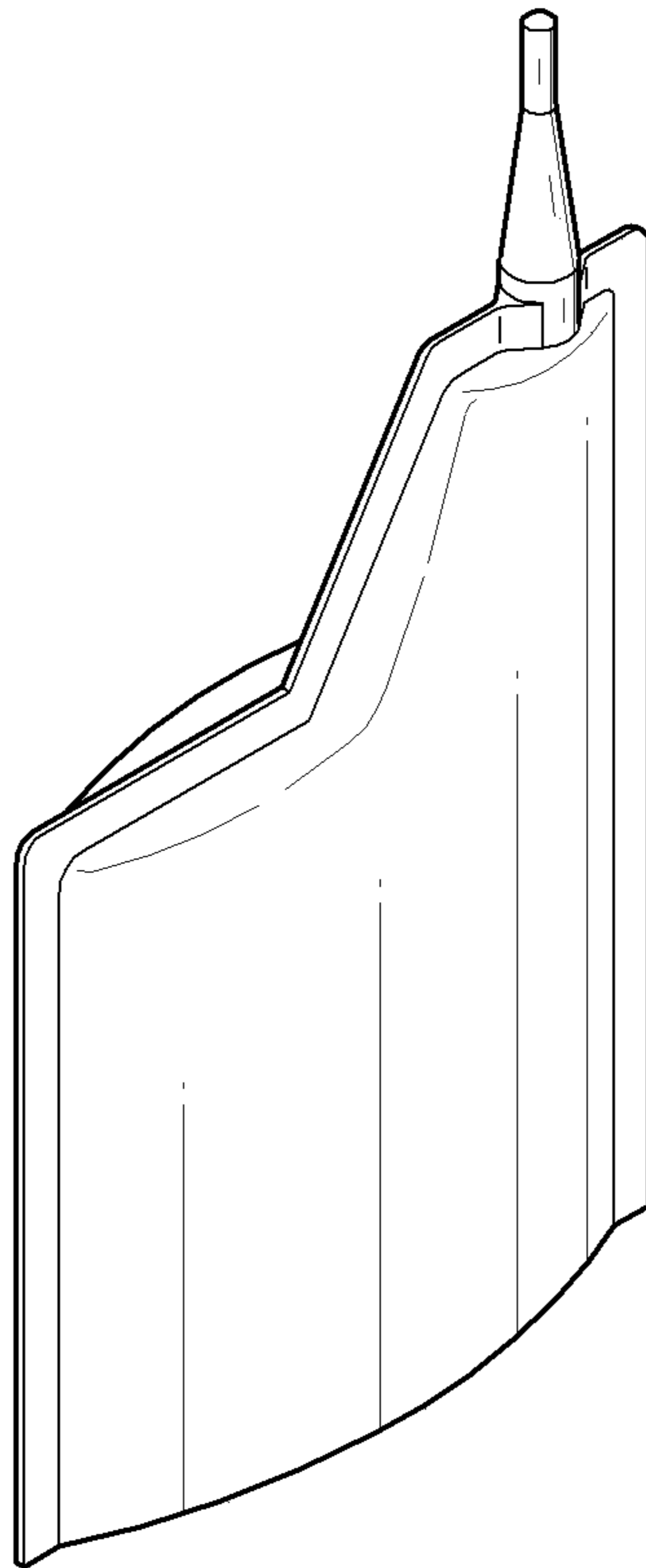


FIG. 1

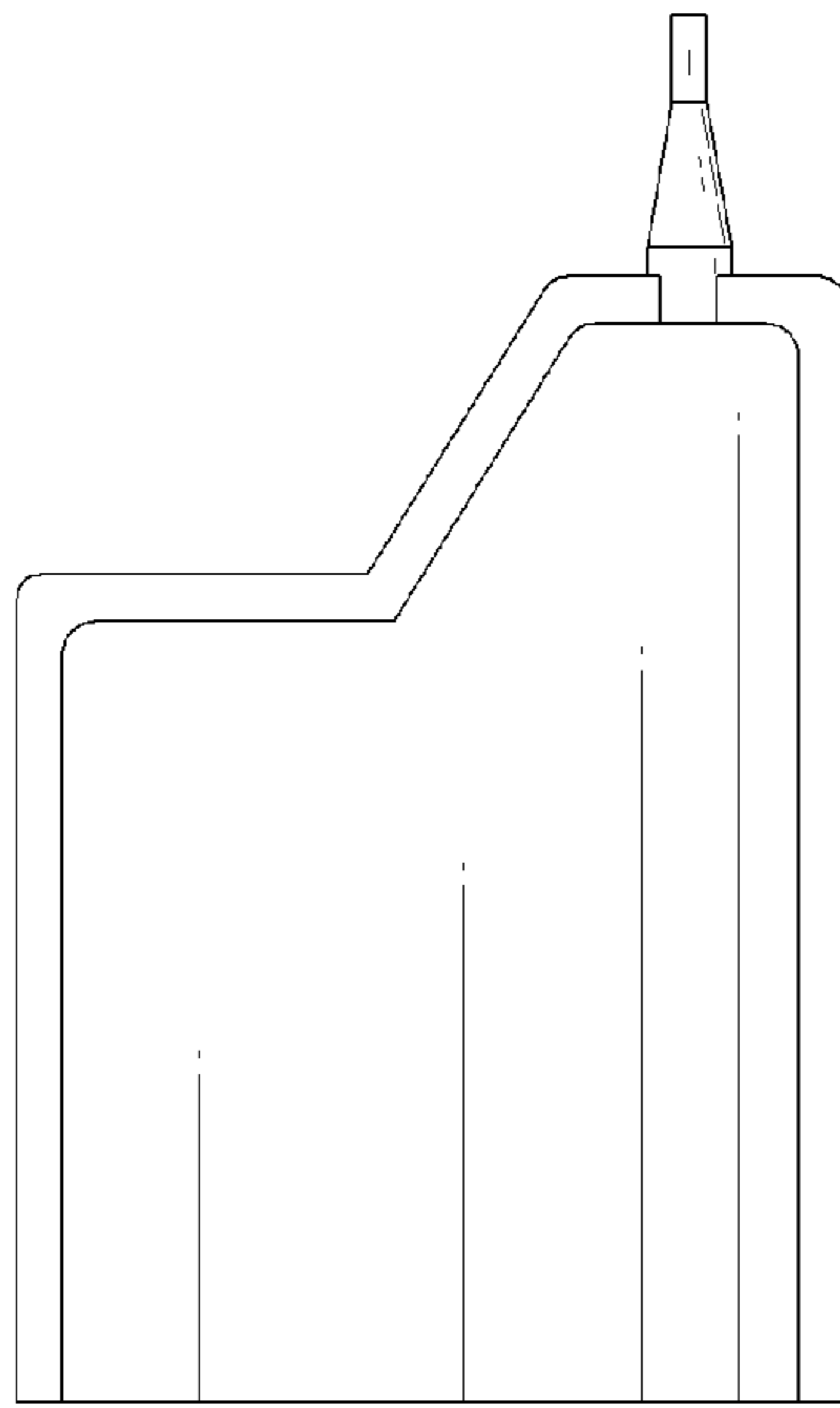


FIG. 2

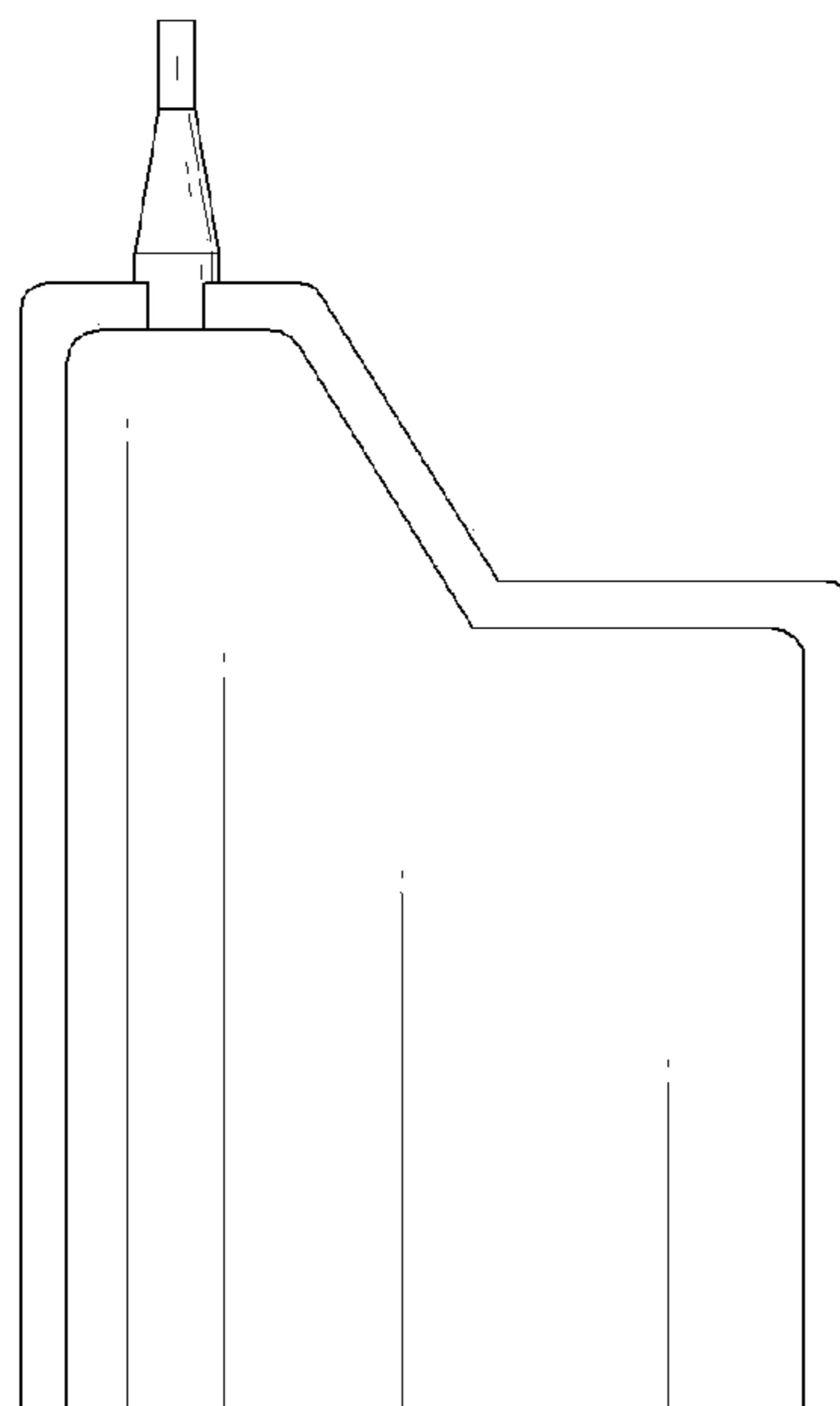


FIG. 3

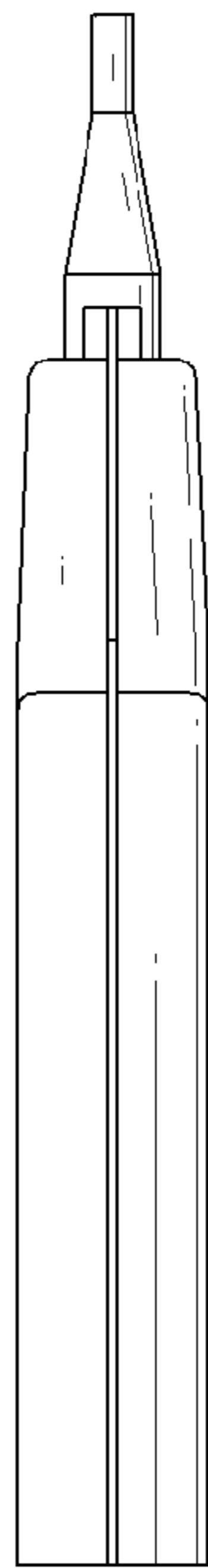


FIG. 4

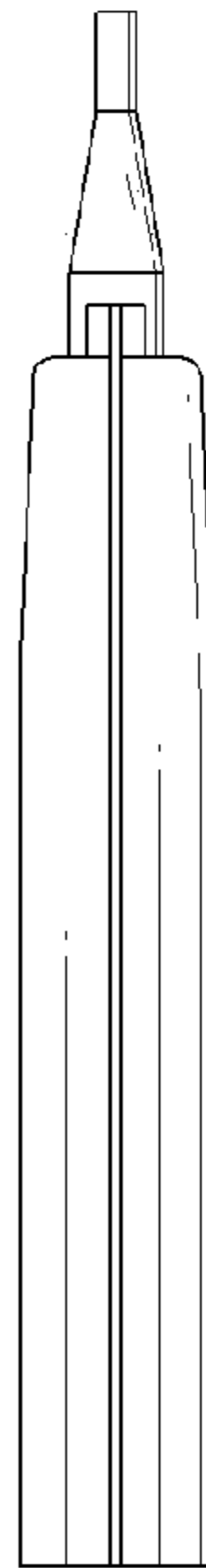


FIG. 5

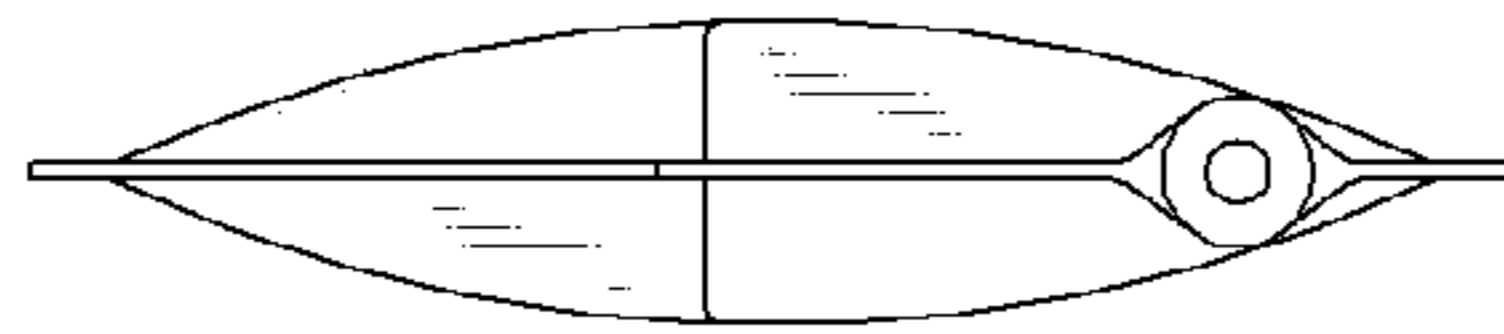


FIG. 6



FIG. 7

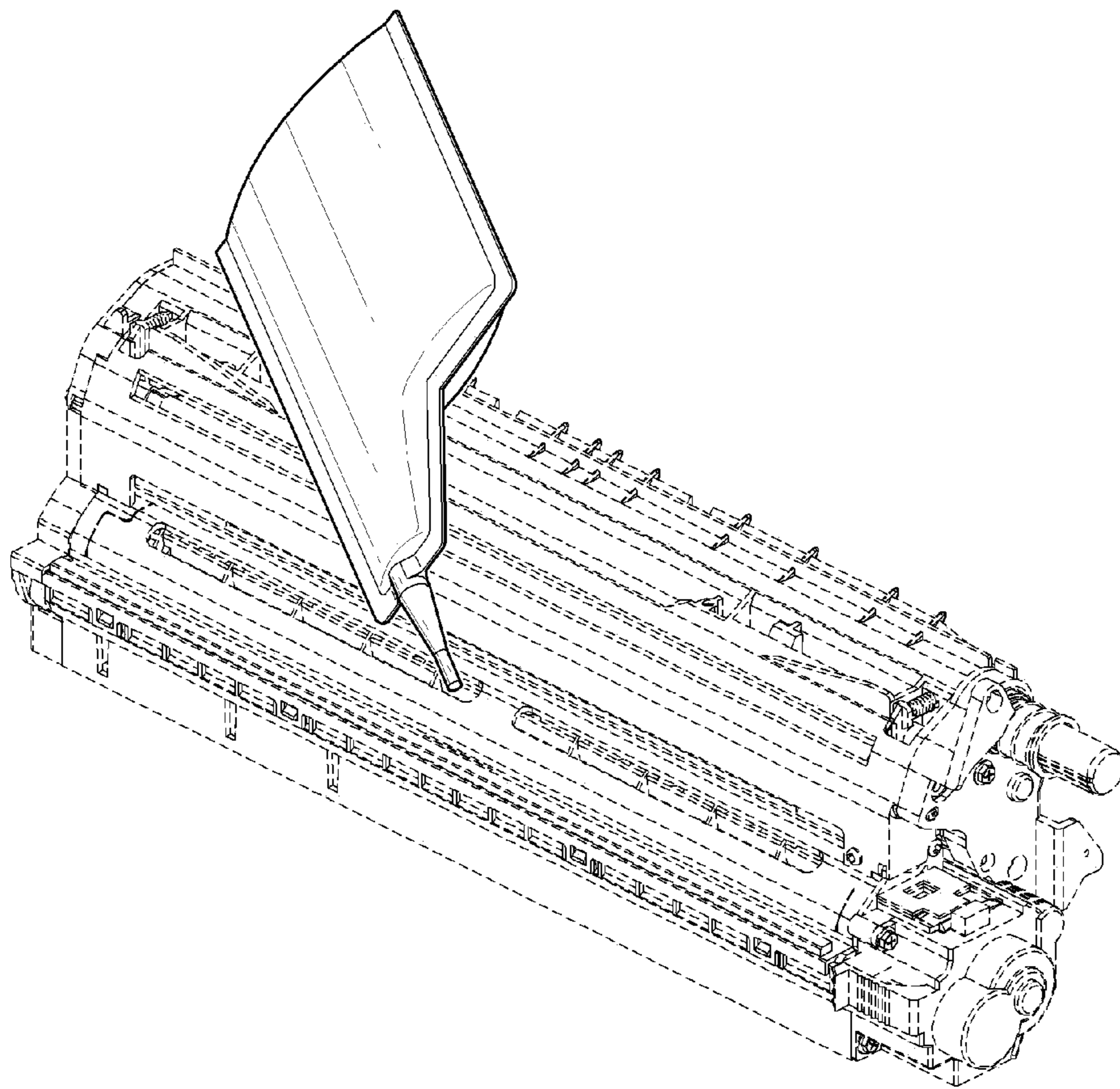


FIG. 8